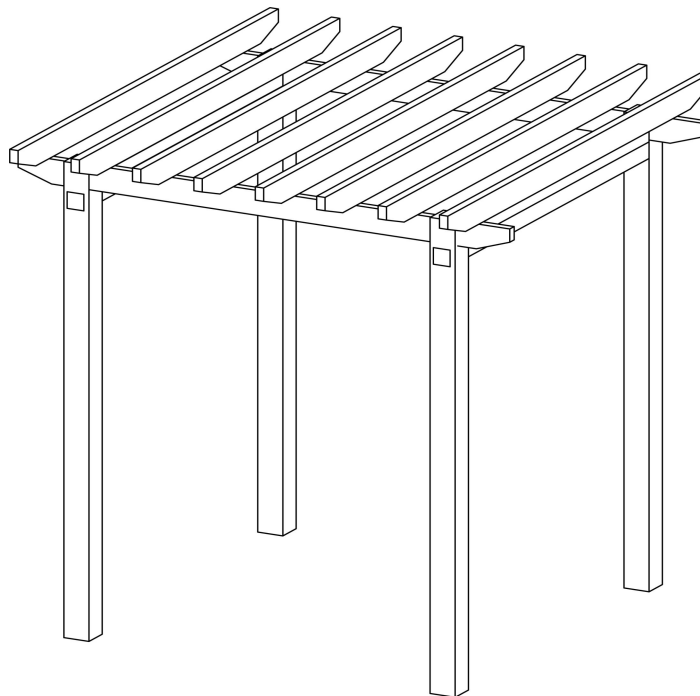
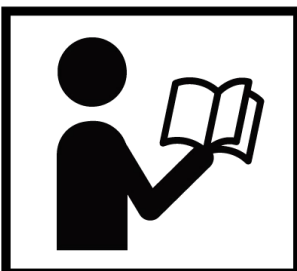


MODEL TMG-LPA10

## 10ft x 10ft Aluminum Louvred Pergola



### ⚠ WARNING



- Please read and understand the product manual completely before assembly
- Check against the parts list to make sure all parts are received
- Wear proper safety goggles or other protective gears while in assembly
- Do not return the product to dealer. They are not equipped to handle your requests.

#### Missing parts or questions on assembly?

Please call: 1-877-761-2819 or email: [cs@tmgindustrial.com](mailto:cs@tmgindustrial.com)

## **Main Specifications :**

- Overall assembled size : W2.94 x L2.94x H3.00(m) / 9'7x 9'7 x 9'8 (ft)

## **Prior to assembly**

Please read the instructions carefully before installation. It is important to follow your local safety regulations and industry standards during installation.

Regulations may include but are not limited to :

- Safety helmets, protective eyewear, and clothing.
- Safety harnesses for all elevated workers.
- Proper ladder, cage, and safety operation.

Check all components and parts before installation. All parts are marked with a part number, please refer to the parts list to make sure you have all parts.








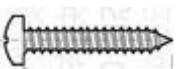


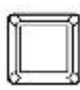




Choose a day with low or no wind to install, assembly is hard in heavy wind. Do not make any alterations to the structure. Do not hang any weights on the frame during installation, including parts. We are not responsible for any damages or injuries caused by inappropriate installation, unauthorized modifications or extreme weather.

This building is not intended for human occupancy.

It is recommended to glue on the frame end where it touches the cover. This will help extend the life span of the cover.

Read the following item list carefully and count the number of items to ensure that all parts are included prior to setup.

### TMG-LPA10 Part List

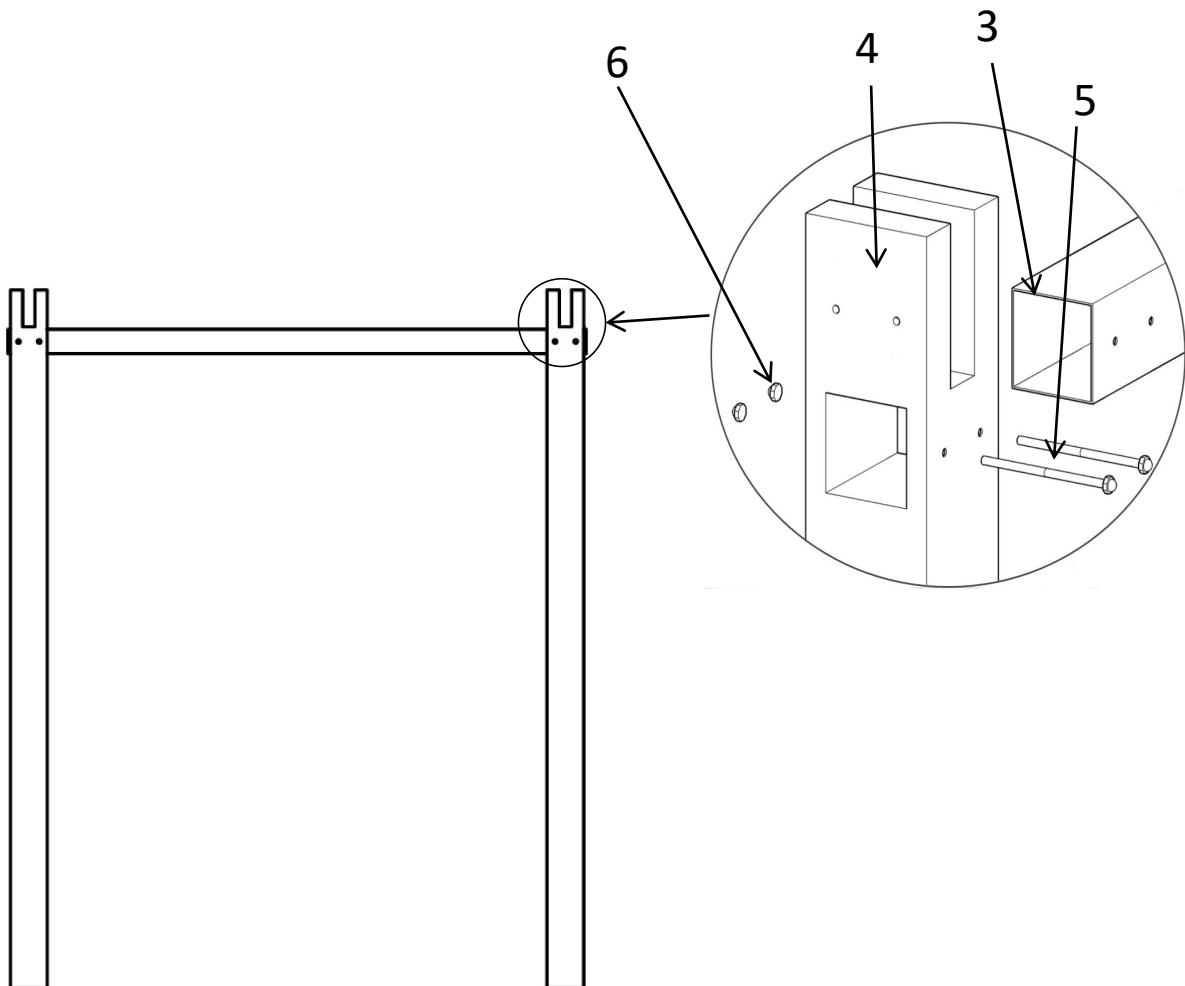
Parts code	Graphical	Description	Length	Qty
①		Lattice tube	150x50x2940mm	8
②		Beam tube	150x50x2940mm	2
③		Short beam tube	100x100x2360mm	2
④		Post	150x150x2868mm	4
⑤		SS bolt	M10x170	16
⑥		SS nut	M10	32
⑦		Base	140mm*140mm	4
⑧		screw	M4.2*16mm	56
⑨		screw	M5*19mm	64
⑩		Bracket	40mm*55mm	16
⑪		Cover	150mm*150mm	4
⑫		Expansion bolt	M10*100mm	16
⑬		tool	M4.2	1
⑭		tool	M5	1
⑮		Cap	150mm*150mm	8

## Installation steps

**Step 1 :** Fix short beam into the posts with bolts. Insert each short beam 4" (#3) into two posts with bolts.

Parts used in this step :

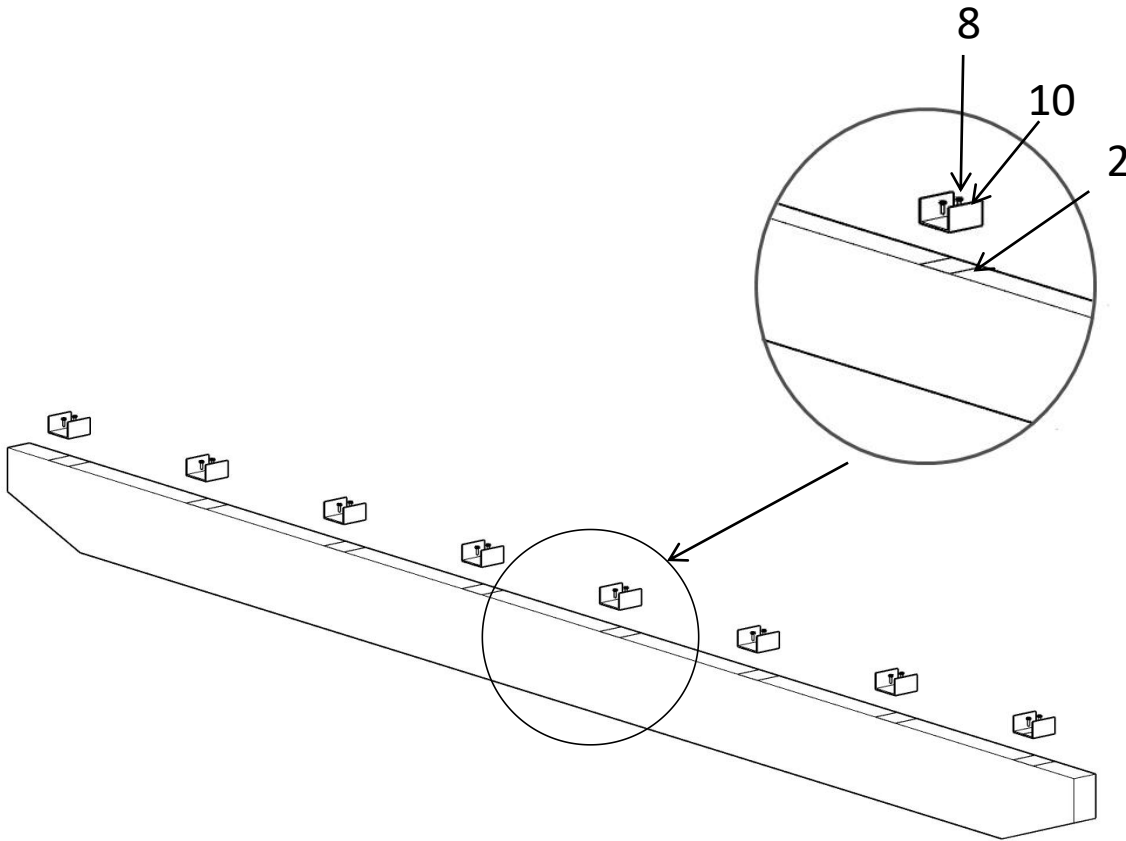
- (4) Posts (#4)
- (2) Short beam (#3)
- (8) Bolts (#5)
- (16) Bolts nuts (#6)



**Step 2 : Fix brackets to beams with screws. Parts**

used in this step:

- (2) Beam tube (#2)
- (32) Screw M4.2x16 (#8)
- (16) Bracket (#10)

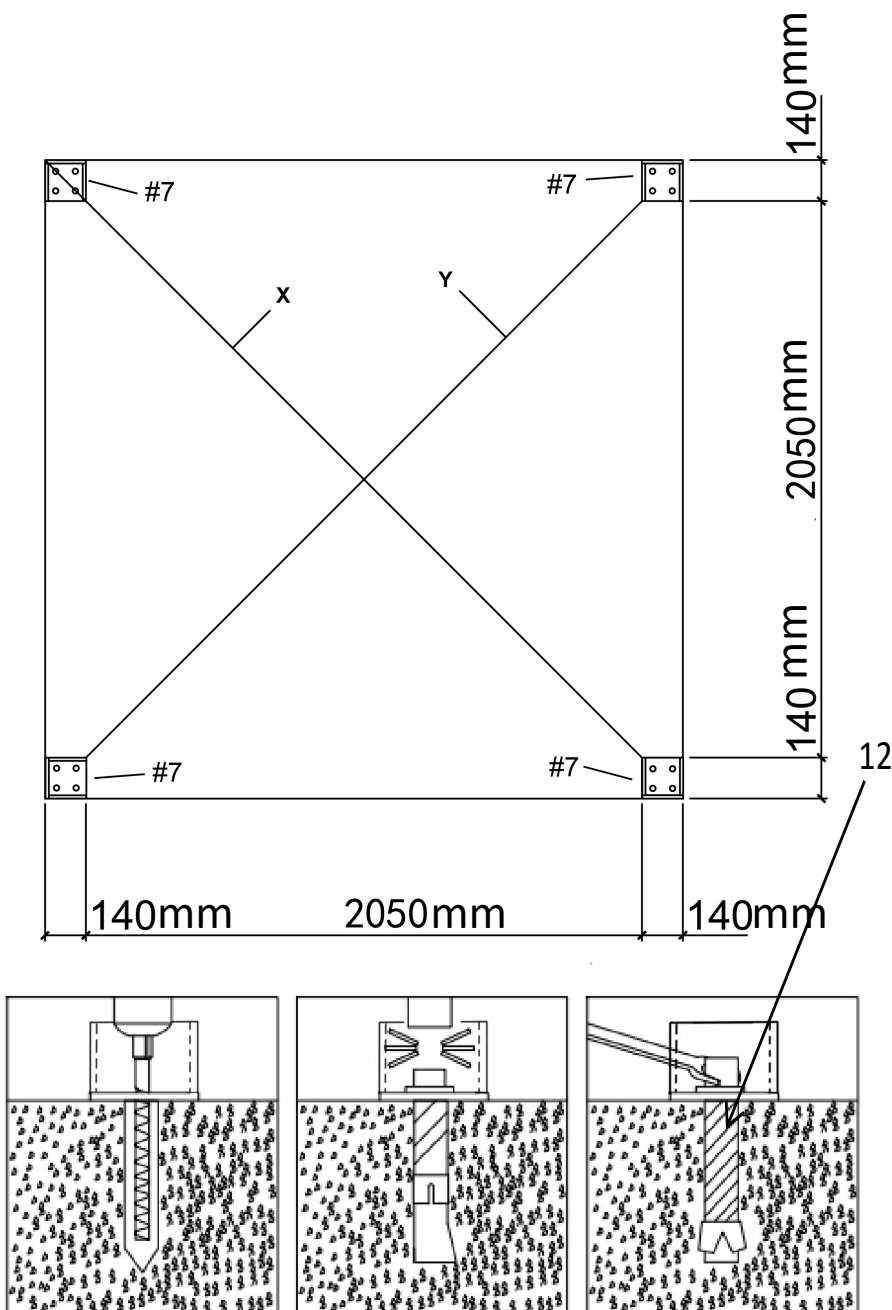


**Step 3:** Mark the ground in the final building location with a line showing the positions of base plates. All lines should be drawn from center to center of all baseplate tubes. Diagonal line X must be equal to Y.

Baseplates: all baseplates must be installed firmly with expansion bolts (#12) on this step.

Parts used in this step:

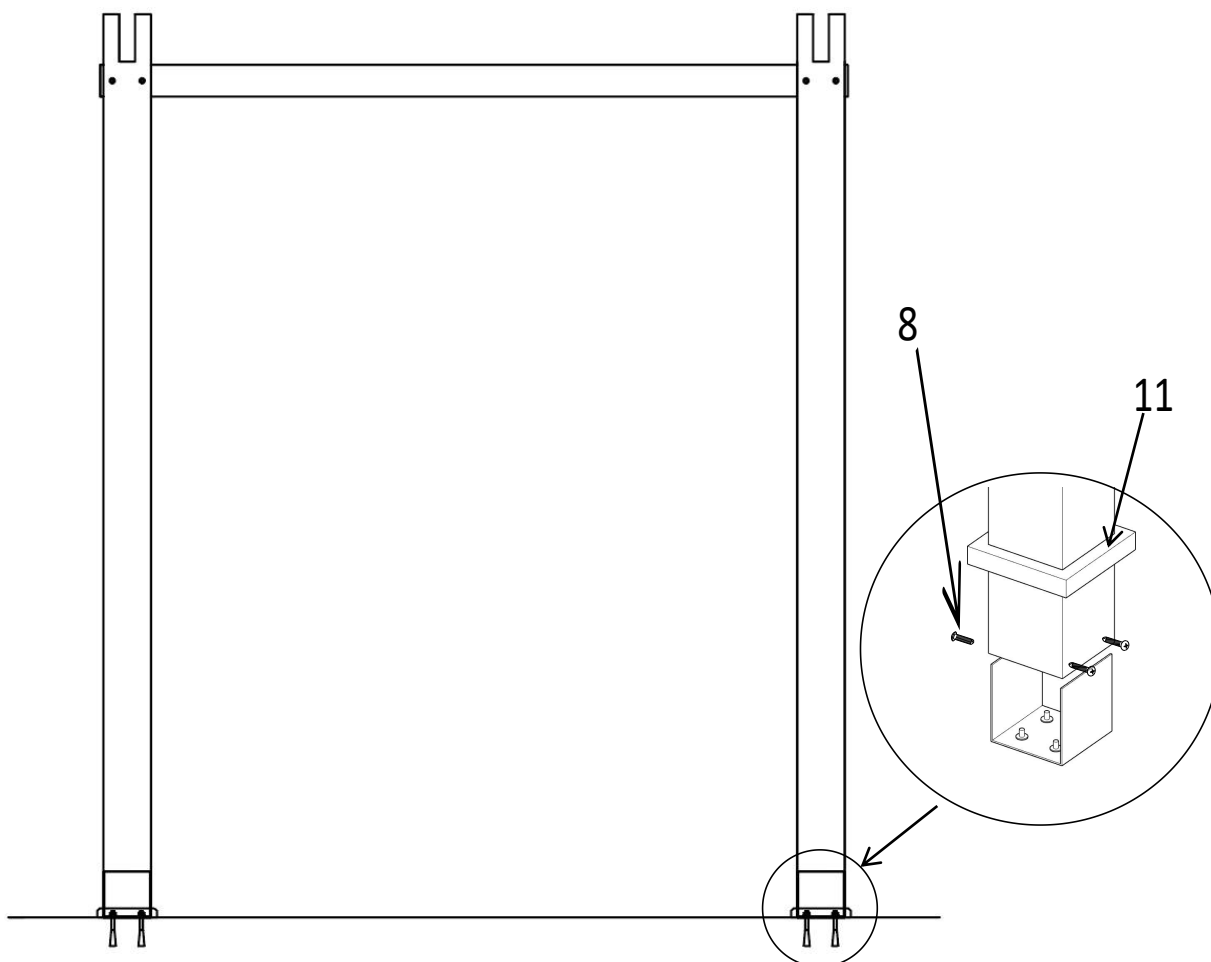
- (4) Baseplates (#7)
- (16) Expansion bolts (#12)



**Step 4 :** Put cover to each post from bottom, then fix post frame to baseplate.

Parts used in this step:

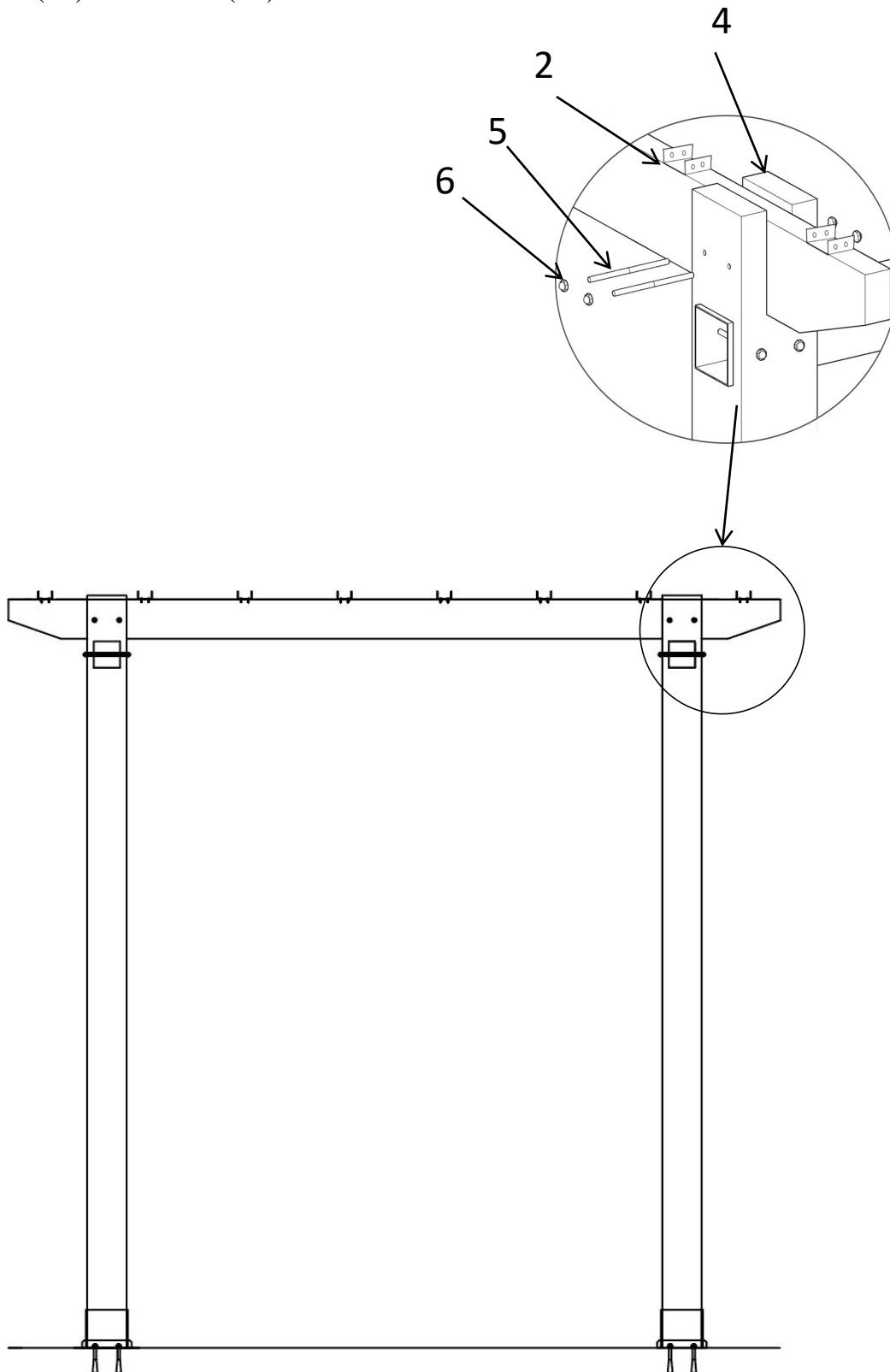
- (4) Cover (#11)
- (16) Screw (#8)



**Step 5:** Fix beams into posts and fasten with bolts.

Parts used in this step:

- (8) Bolts (#5)
- (16) Bolts nuts (#6)

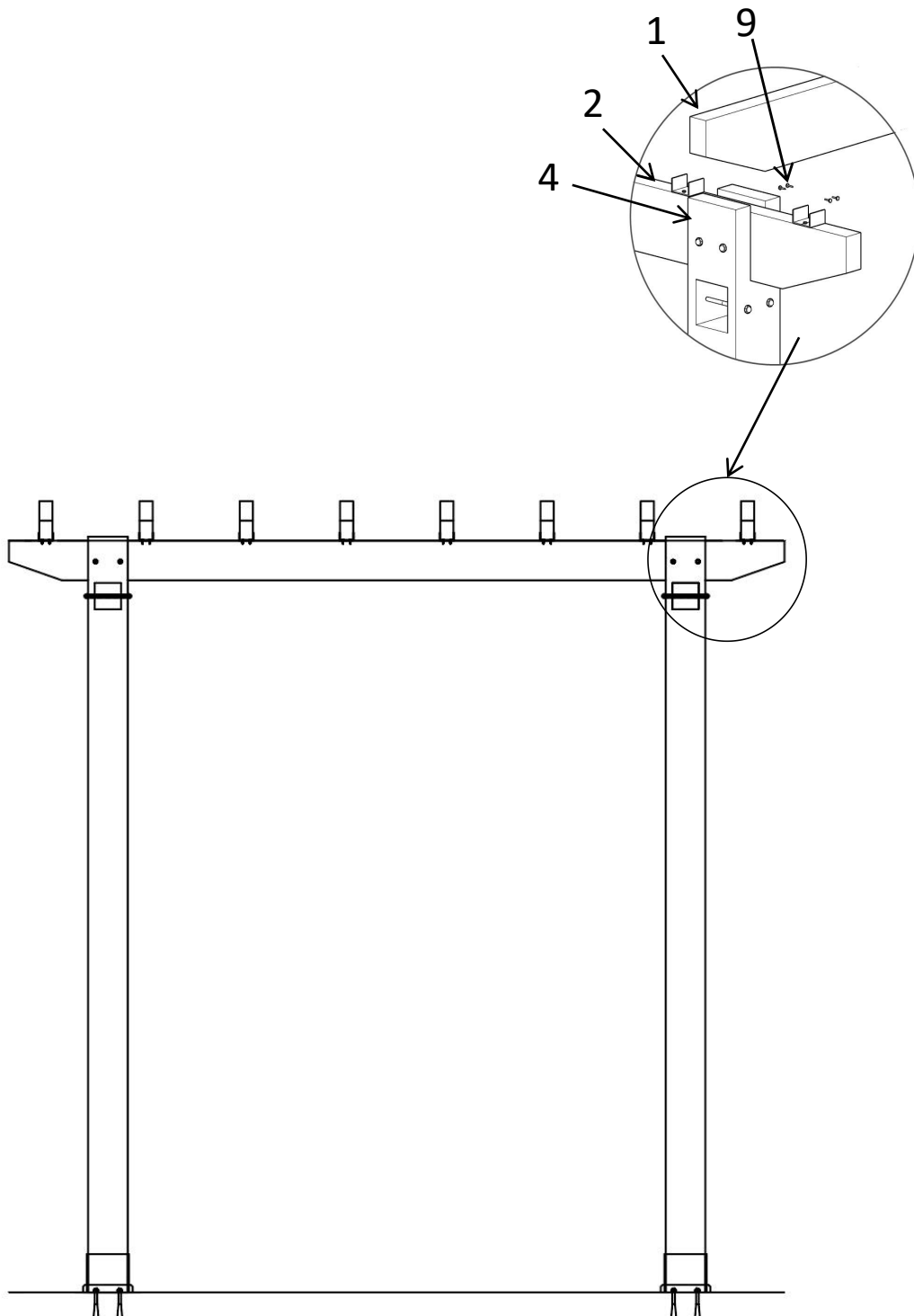




**Step 6 :** Fix lattices to beams with screws.

Parts used in this step:

- (8) Lattice tube (#1)
- (64) Screw M5x19 (#9)



**Step 7:** Fix cap to posts and short beams. Then fix the with screws.

Parts used in this step:

- (8) Waterproof cover (#15)
- (8) Screw 4.2X16 (#8)

