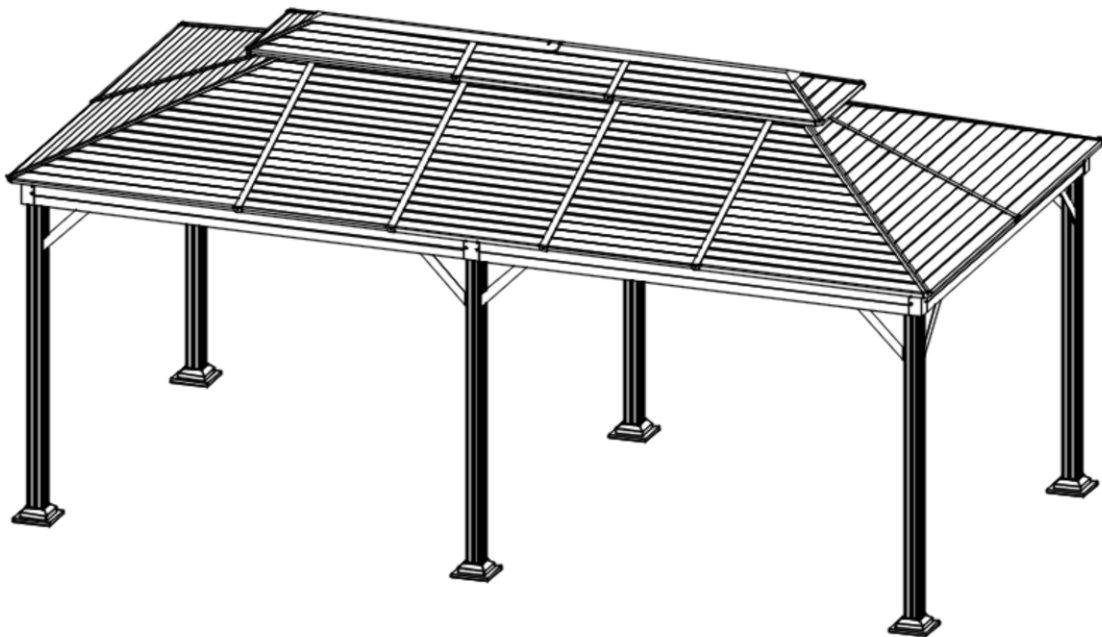


**MODEL TMG-LGZ21**

# 10 x 20 Feet Hardtop Gazebo 2-tier Outdoor Galvanized Steel Roof

**⚠ WARNING**

- Please read and understand the product manual completely before assembly
- Check against the parts list to make sure all parts are received
- Wear proper safety goggles or other protective gears while in assembly
- Do not return the product to dealer. They are not equipped to handle your requests.

**Missing parts or questions on assembly?**

Please call: 1-877-761-2819 or email: [cs@tmgindustrial.com](mailto:cs@tmgindustrial.com)

## **Main Specifications:**

Assembly size: W3.0x L6.0x H3.15 (m) / 10ft x 19.68ft x 10.3ft

Inside size: W2.64x L5.84x H3.10 (m)

Curtain/Net: W4.45 x H2.1 (m)

Curtain: 180G polyester

## **Prior to assembly:**

Please go through the whole instruction manual completely. It is very important to follow your local safety regulations and industry standards during installation.

Regulations may include but are not limited to:


















- Safety helmets, protective eyewear, protective glove and clothing
- Safety harnesses for all elevated workers
- Proper ladder and safety operation



















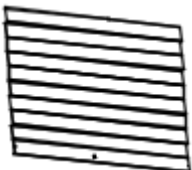
Check all components and parts before installation. All parts are marked with a part number, please refer to the parts list to ensure you have all parts.


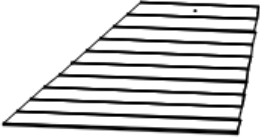










Choose a day with low or no wind to install, it is hard to assemble with heavy wind. Do not make any alterations to the structure. Do not hang any weight on the frame during installation, including parts. We are not responsible for any damages or injuries caused by inappropriate installation, unauthorized modifications or extreme weather.


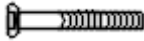






Check the parts list below to make sure all parts are received prior to assembly.

## TMG-LGZ21 Part List

Parts code	Graphical	Description	Length	Qty
A		Post	100x100mm	4
A1		Middle post	100x100mm	2
B		Cross beam	28x140mm	2
C1		Left cross beam	28x140mm	2
C2		Right cross beam	28x140mm	2
D1		Left support	1.2x60mm	6
D2		Right support	1.2x60mm	6
E		Steel corner	20x20mm	12
F		Post cover	100x140mm	4
F1		Middle post cover	100x100mm	2
G1		Long beam	37x48mm	4
H1		Short beam	32x48mm	10
H2		Short beam connection	1.2x60mm	10
I1		Small top beam	37x48mm	4
I2		Small top beam connection	20x90mm	4
J1		Middle beam for small top	32x48mm	4
J2		Middle beam connection	1.2x20mm	4

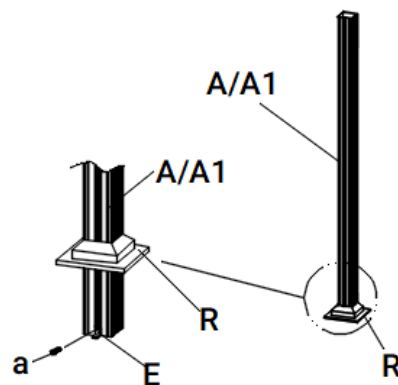
K1		Left big top	30*300m m	1
K2		Right big top	30x300m m	1
L		Top cover	1.2*200m m	2
L1		Left small top	15x60mm	1
L2		Right small top	15x60mm	1
M1		Short support	25x25mm	8
M2		Long support	25x25mm	6
N1		Connection for support		4
N2		Connection for support		10
O		Middle edge strip	25x28mm	8
O1		Left edge strip	25x28mm	4
O2		Right edge strip	25x28mm	4
P		Edge strip for small top	25x28mm	2
P1		Left edge strip for small top	25x28mm	2
P2		Right edge strip for small top	25x28mm	2
Q1		Angle cover		8
Q2		Flat cover		14
R		Decorative cover		6
R1		Middle galvanized sheet (up)		6

R2		Middle galvanized sheet (down)	6
S1		Large galvanized sheet (Left)	4
S2		Large galvanized sheet (Right)	4
T1		Small galvanized sheet (Left)	4
T2		Small galvanized sheet (Right)	4
U		Small top galvanized sheet	2
U1		Small top galvanized sheet (Left)	2
U2		Small top galvanized sheet (Right)	2
V		Small top galvanized sheet (Middle)	2
W		Middle cross beam	1
X1		Curtain	1
X2		Net	1

a			M6x16	222
b		Post cover screw	M6x45	30
c		Nut	M6	2
d		Hook		3
e			M4x10	12
f			M4x4	42
g		Nut		54
h		gasket		54

### Step 1: Install Post A/A1

- Install decorative cover R on all post A/A1, use screw a to fix steel corner E on the post and tighten the screw.

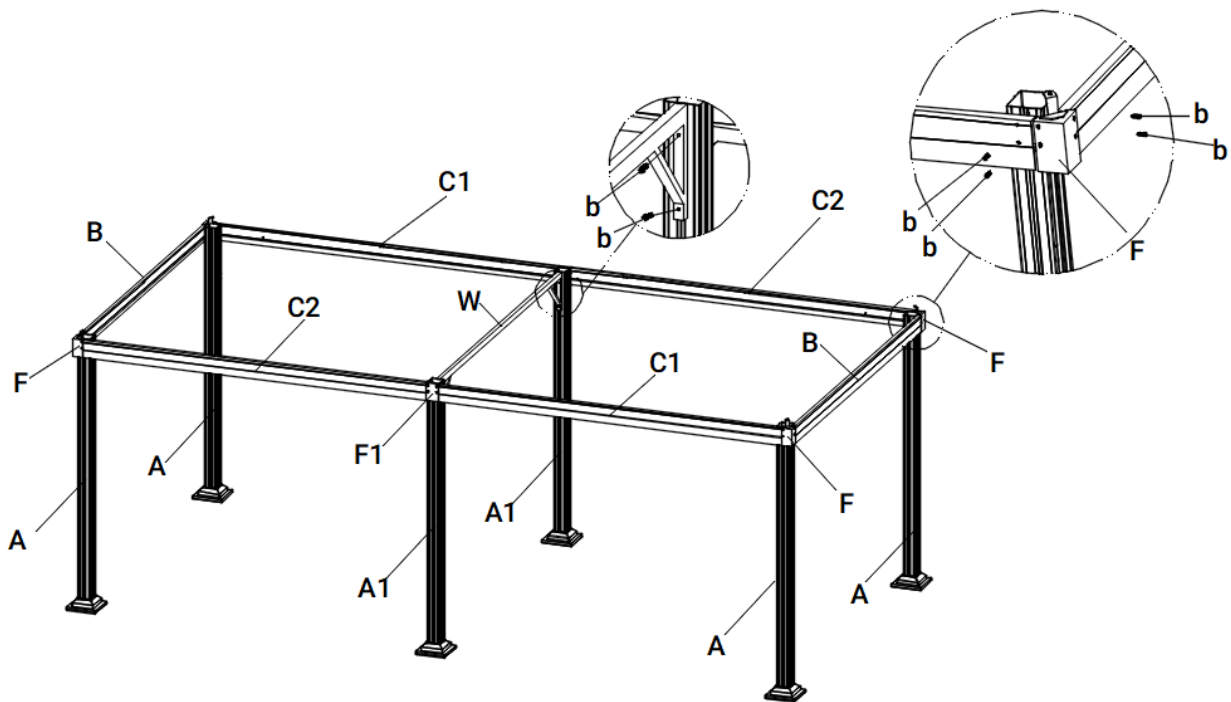


Parts code	Graphical	Qty
A		4
A1		2
E		12

Parts code	Graphical	Qty
R		6
a		12

## Step 2: Install Cross Beam B/C1/C2/W

- Take out the cross beam B /C1 /C2 /W and post cover F
- Connect the cross beam B /left C1 /right C2 and post cover F to Post A/A1 with screws b .
- Connect Middle beam W and post cover F1 to Post A1 with screws b .



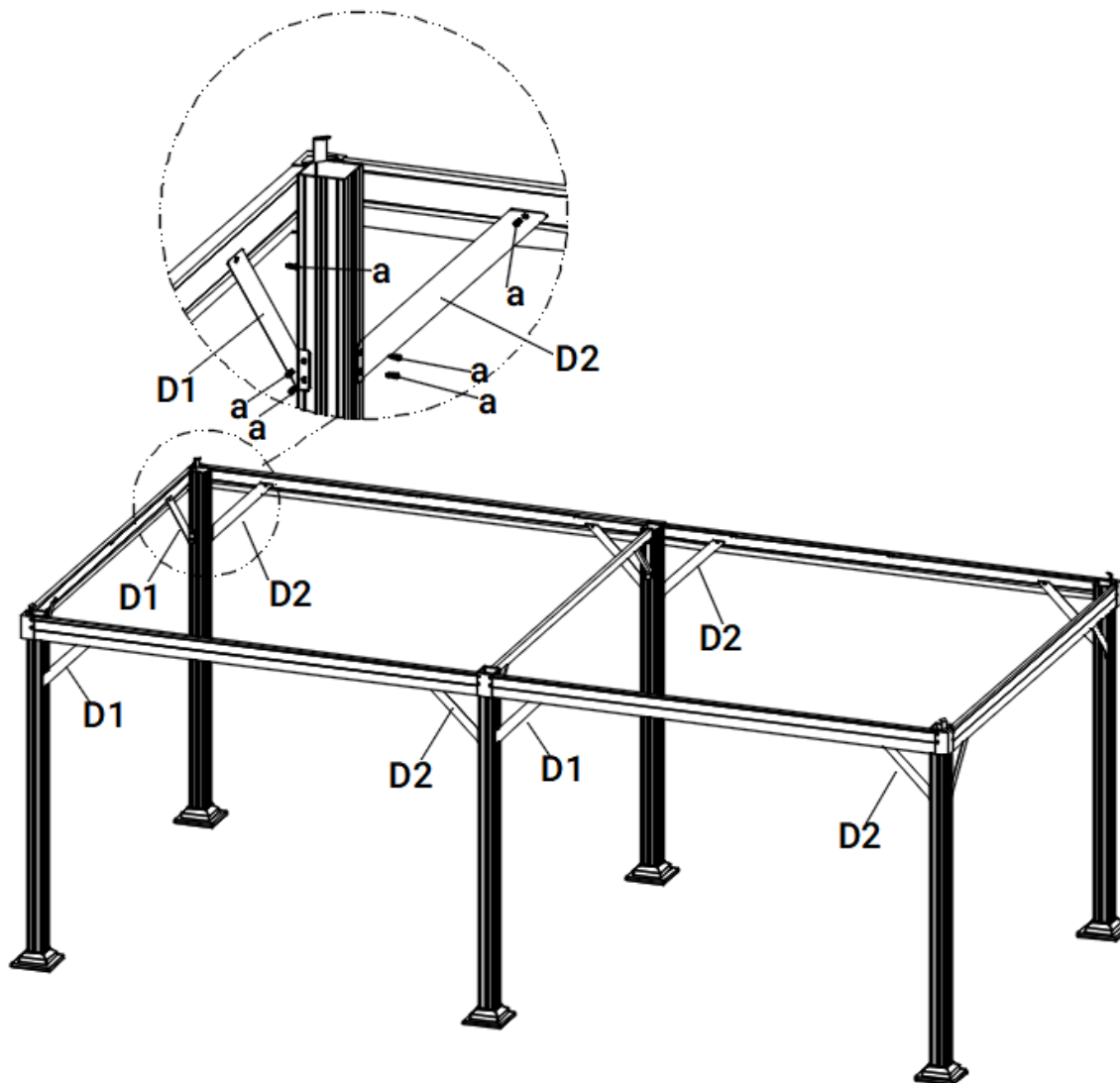
Parts code	Graphical	Qty
B		2
C1		2
C2		2
F		4




Parts code	Graphical	Qty
F1		2
W		1
b		28



### Step 3: Install Left support D1 & right support D2

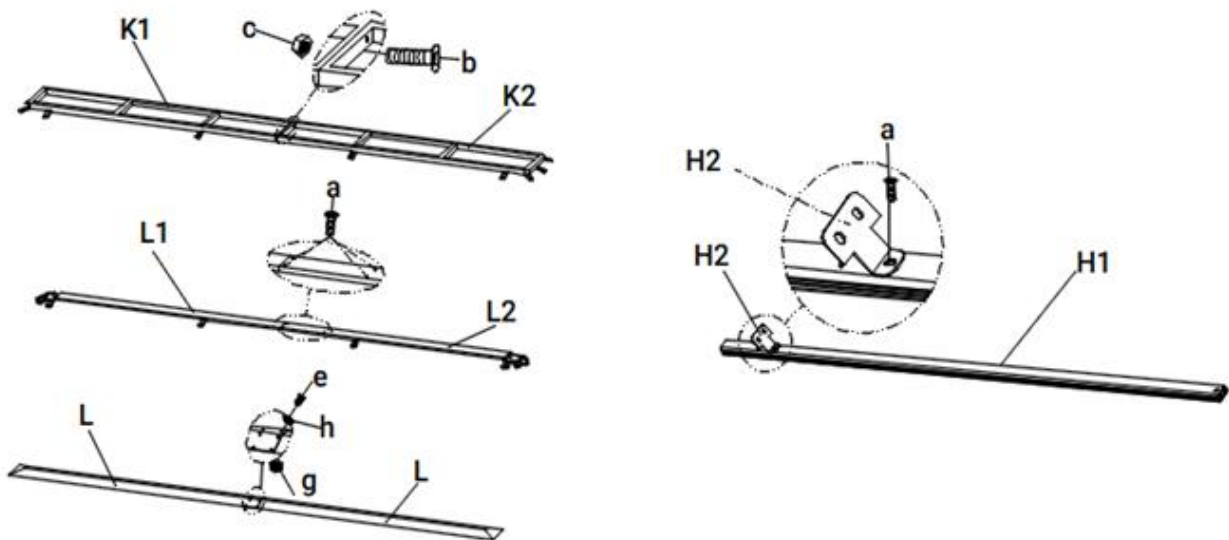
- Take out the D1 and D2 , Connect Left & Right support D1&D2 to the cross beams B/C1/C2 and post A /A1with screws a.











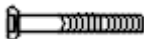




Parts code	Graphical	Qty
D1		6
D2		6
a		36

**Step 4: Install Big top / Small top / Top cover / short beam**

- Install Big top : Take out Left K1 and Right K2, Connect them with screw b and nut
- Install small top: Take out Left L1 and Right L2, Connect them with screw a
- Install top cover: Connect Top cover L with screw e, gasket h and nut g
- Install short beam: Connect 1 piece short beam H1 and 1 piece connection H2 with screw a ,then Install the rest of 9 pieces H1&H2 in the same way.

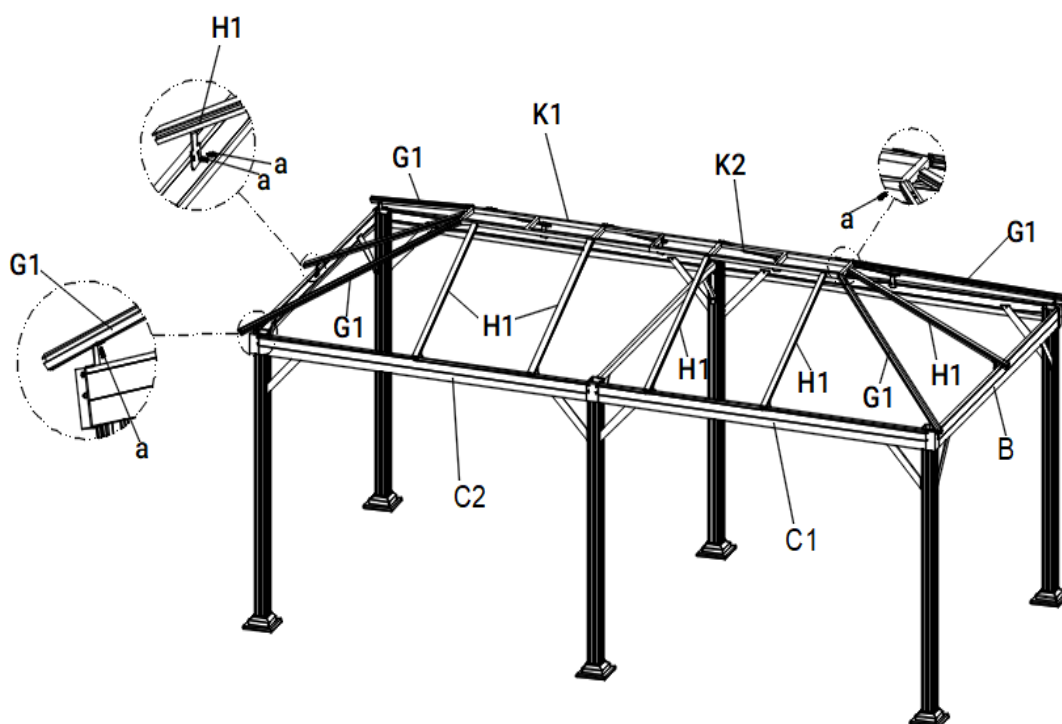




Parts code	Graphical	Qty
H1		10
H2		10
K1		1
K2		1
L		2
L1		1
L2		1

Parts code	Graphical	Qty
a		14
b		2
c		2
e		12
g		12
h		12

**Step 5: Install long beam G1 and short beam H1, Big top K1/K2**

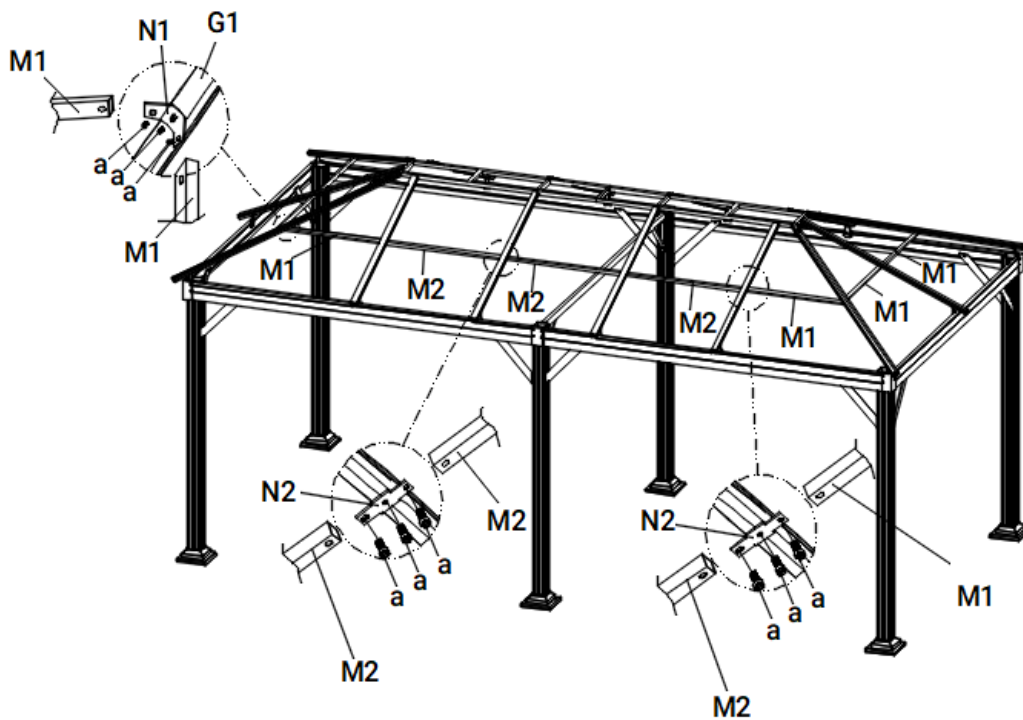
- Take out G1 , Connect the long beam G1 to Post cover F , K1 and K2 respectively with screws a
- Take out the installed H1 of Step 4 , Connect H1 and K1/K2 with screw a, Connect H2 and beam B, C1,C2 with screws a








Parts code	Graphical	Qty
G1		4
a		56

### Step 6: Install support M1 and M2 on the top

- Take out M1, M2, N1 and N2, Connect N1& G1 , N2& H1 with screw a
- Then connect M1 and M2, N1/N2 with screw a

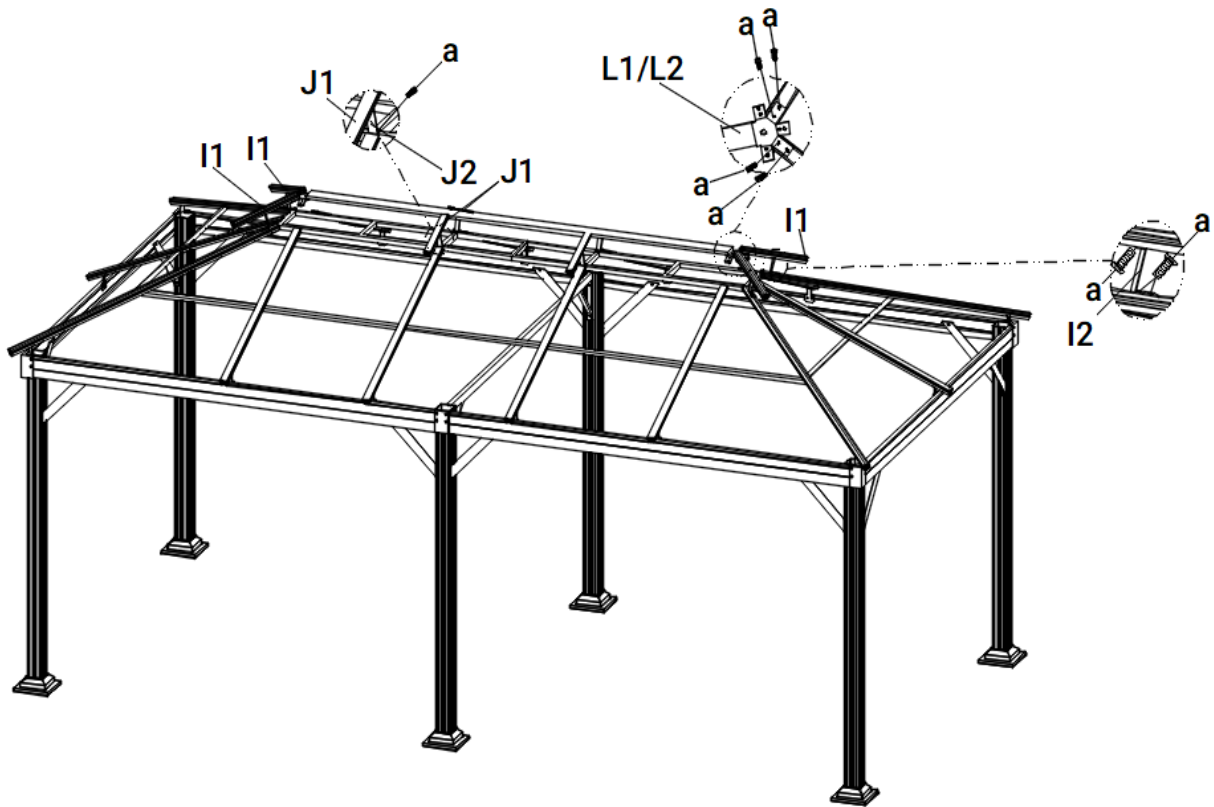





Parts code	Graphical	Qty
M1		8
M2		6
N1		4



Parts code	Graphical	Qty
N2		10
a		42

### Step 7: Install the small top

- Take out Small top beam I1 and connections I2, connect I1 and I2 with screw a, then connect L1/L2.
- Take out middle beam J1 and connections J2, connect J1 and J2 with screw a, then connect L1 and L2 .

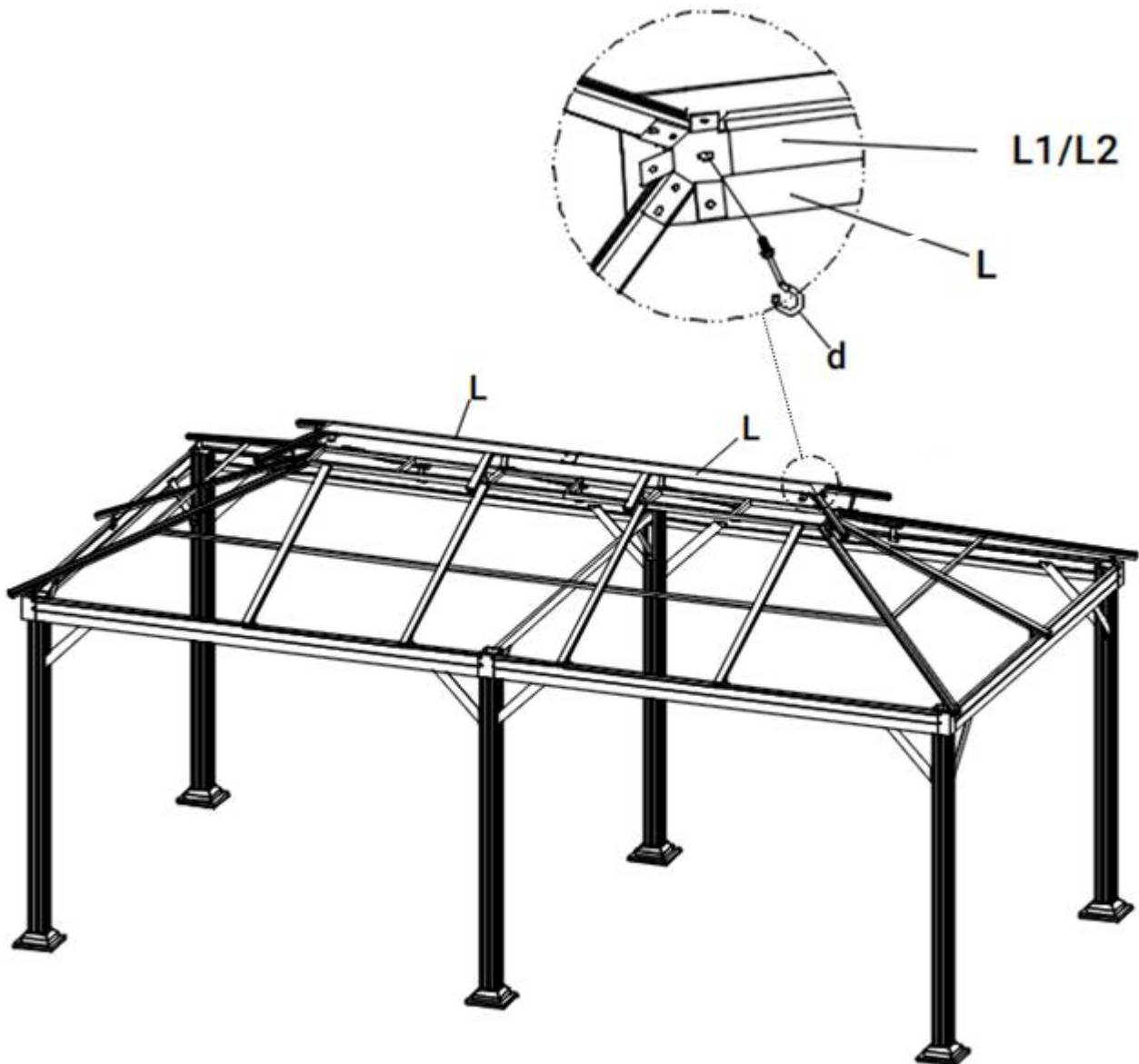



Parts code	Graphical	Qty
I1		4
I2		4
J1		4

Parts code	Graphical	Qty
J2		4
a		36

### Step 8: Install top Cover L

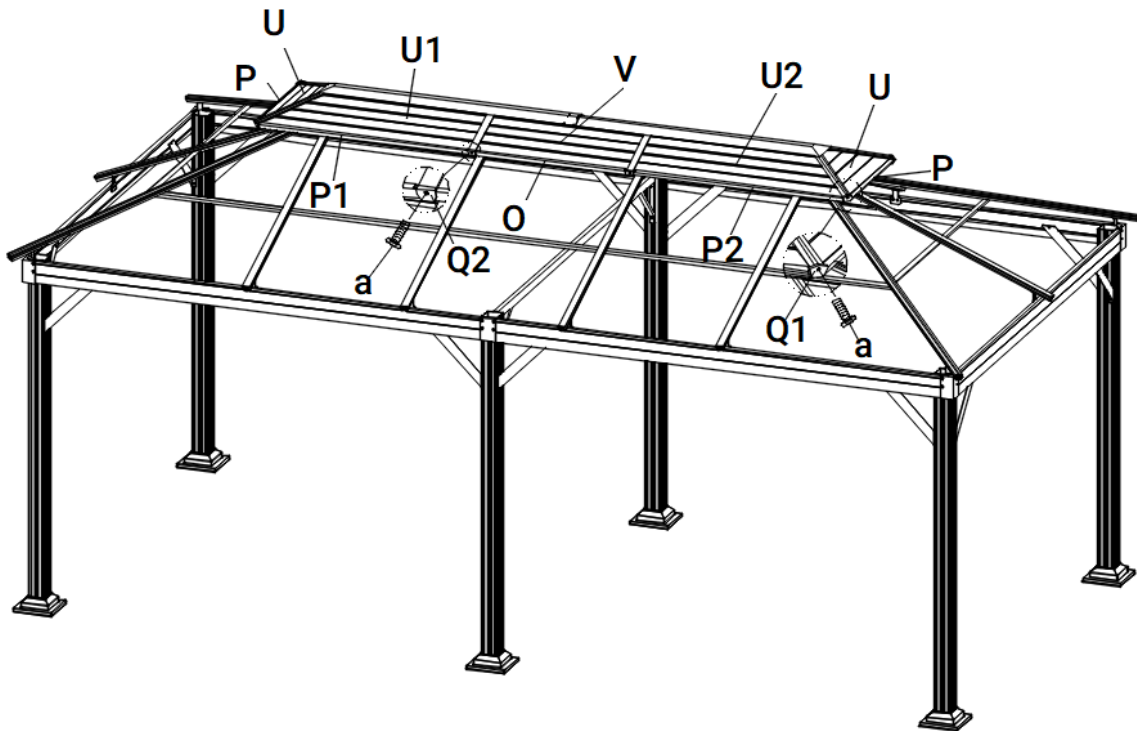
- Take out the installed top cover L of Step 4, Connect L and L1 / L2 with hook d.



Parts code	Graphical	Qty
d		3

### Step 9: Install the galvanized sheet of small top

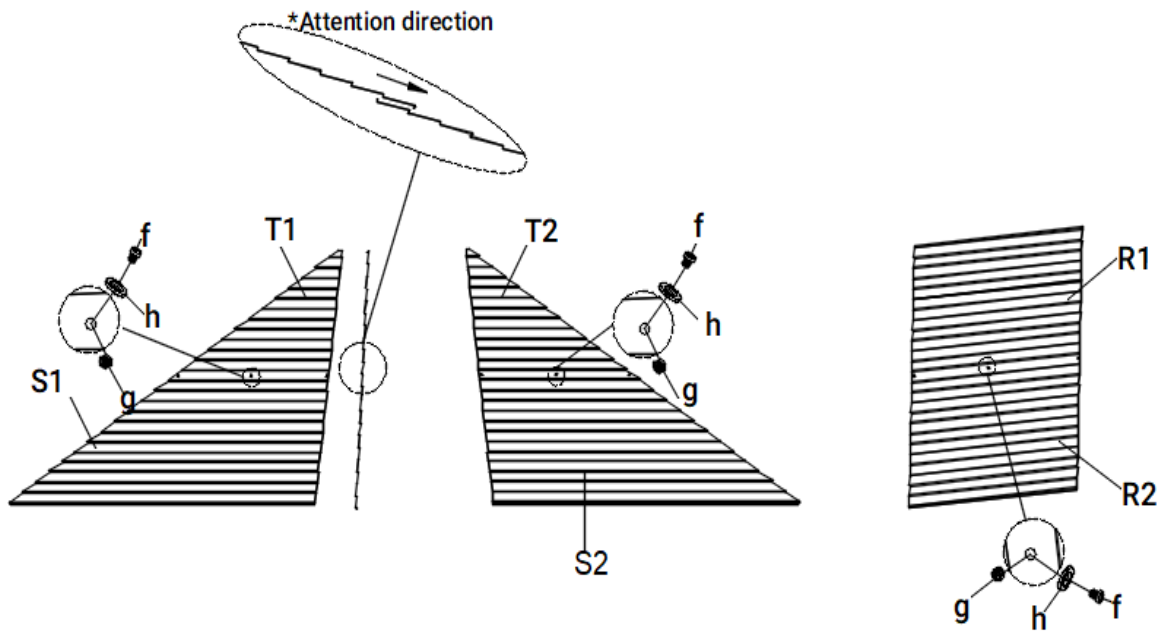
- Take out small top galvanized sheet U,U1/U2 /V , Insert them as shown the diagram, and fix the edge strip P/P1/P2, Angle cover Q1 and flat cover Q2 on the sheet with screw a



Parts code	Graphical	Qty	Parts code	Graphical	Qty
O		2	U		2
P		2	U1		2
P1		2	U2		2
P2		2	V		2
Q1		4	a		8
Q2		4			

**Step 10: Connect the galvanized sheet S1&T1 , S2&T2, R1&R2**

- Connect Left side S1 and T1 with screw f, gasket h and nut g
- Connect Right side S2 and T2 with screw f, gasket h and nut g
- Connect Middle R1 and R2 with screw f, gasket h and nut g
- (note: screw f and gasket h are above the sheet ,nut g is below the sheet



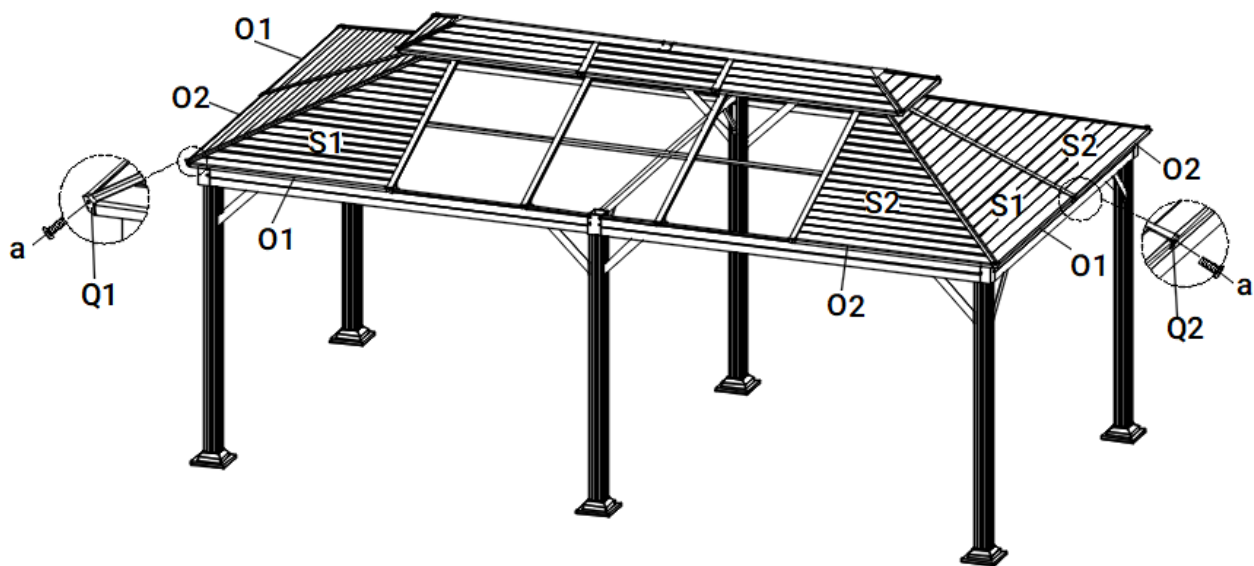
Parts code	Graphical	Qty
R1		6
R2		6
S1		4
S2		4
T1		4

Parts code	Graphical	Qty
T2		4
f		42
g		42
h		42



### Step 11: Install 4 corners of the galvanized sheet top

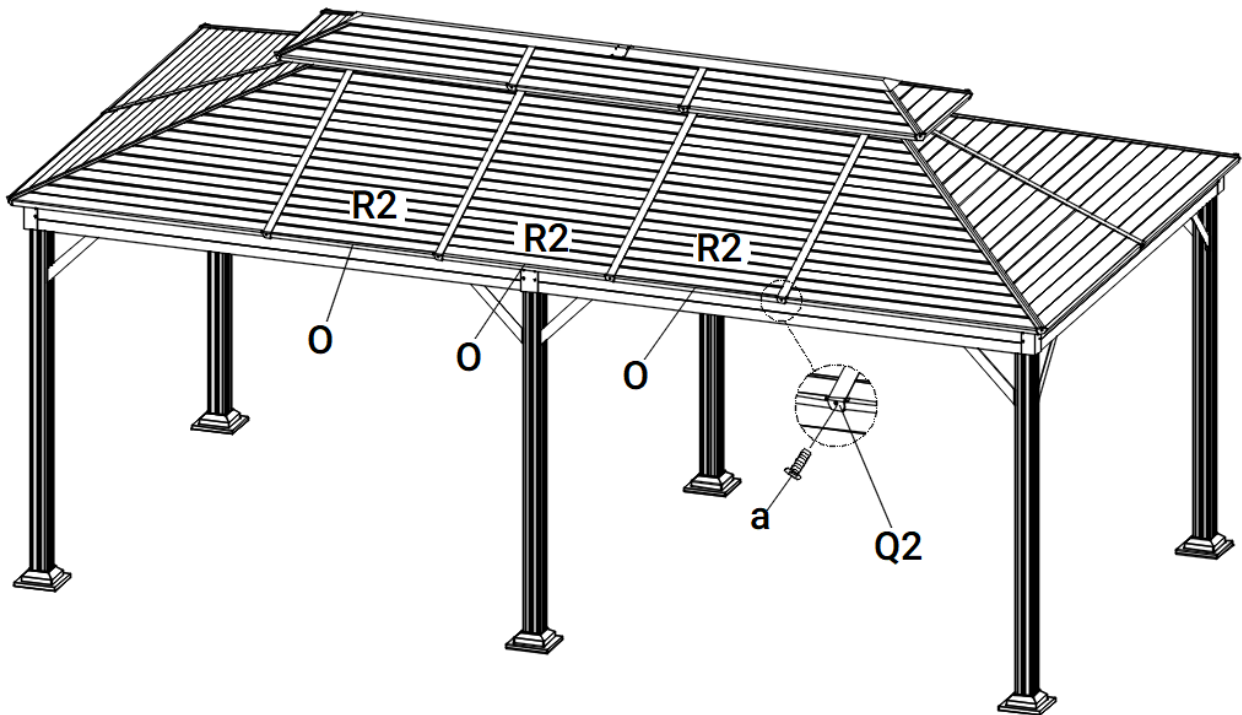
- Take out the Installed galvanized sheet S1 and S2 of Step 10
- As shown the diagram, Insert the galvanized sheets S1 & S2 into 4 corners of the top, and fix the edge strip O1 (left) & O2 (right), Angle cover Q1 and flat cover Q2 on the sheet with screw a


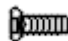



Parts code	Graphical	Qty	Parts code	Graphical	Qty
O1		4	a		10
O2		4			
Q1		4			
Q2		6			

## Step 12: the galvanized sheet top R2

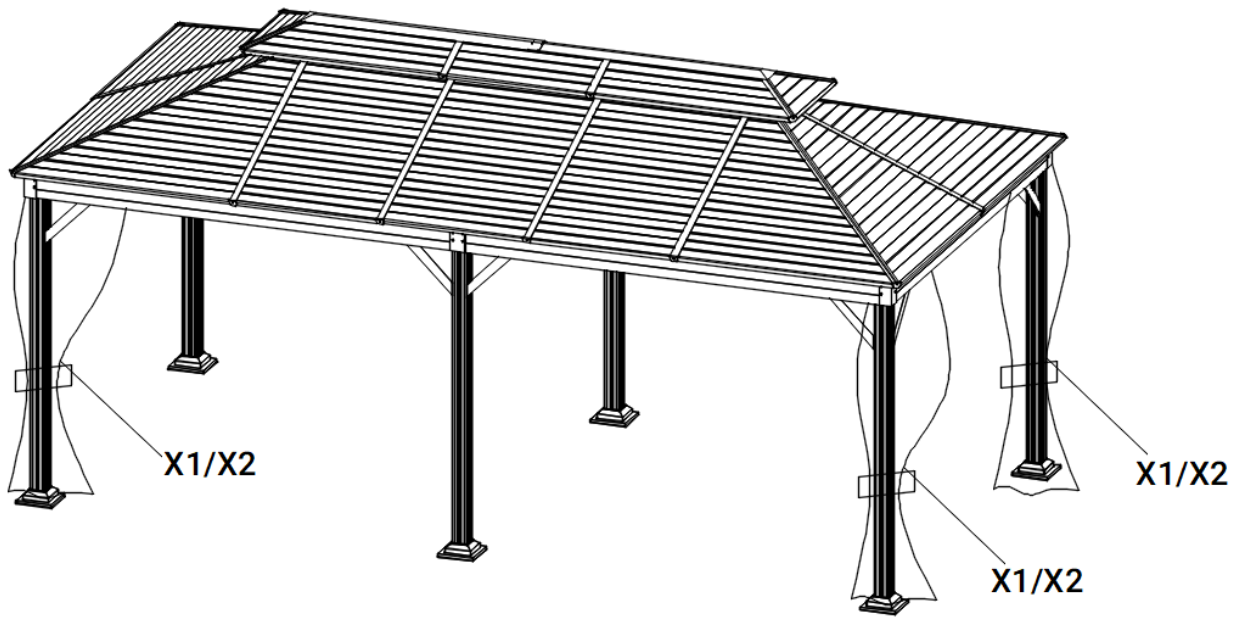
- Take out the installed galvanized sheet R2 of Step 10
- As shown the diagram ,Insert the galvanized sheets R2 into the middle position , and fix the edge strip O and flat cover Q2 on the sheet with screw a





Parts code	Graphical	Qty	Parts code	Graphical	Qty
O		6	a		8
Q2		4			

### Step 13: Install CurtainX1 and Net X2

- Hang the curtain X1 and the net X2 above on the hook of beam B. (Note: Inside net / outside curtain)



Parts code	Graphical	Qty
X1		1
X2		1