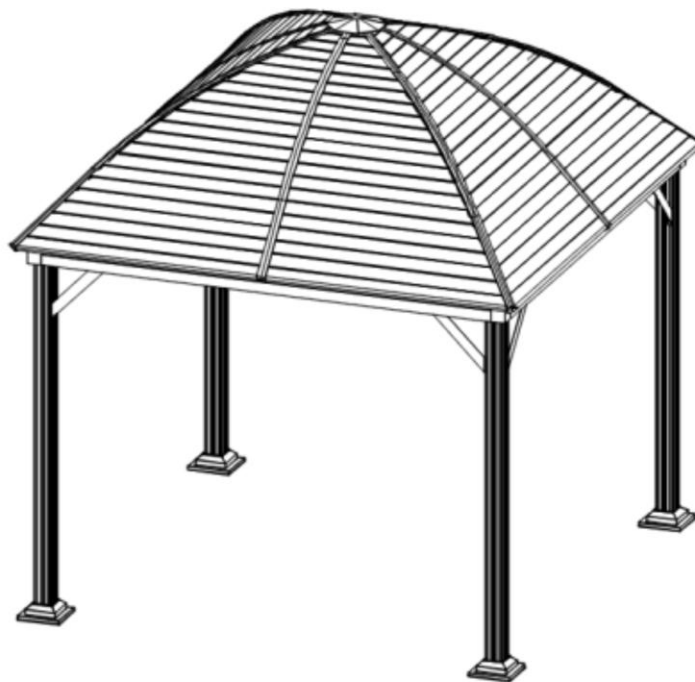


MODEL TMG-LGZ10

10 x 10 Feet Hardtop Gazebo Outdoor Galvanized Steel Canopy



⚠ WARNING



- Please read and understand the product manual completely before assembly
- Check against the parts list to make sure all parts are received
- Wear proper safety goggles or other protective gears while in assembly
- Do not return the product to dealer. They are not equipped to handle your requests.

Missing parts or questions on assembly?

Please call: 1-877-761-2819 or email: cs@tmgindustrial.com

Main Specifications:

Assembly size: W3.0x L3.0x H3.2 (m) / 10ft x 10ft x 10.5ft

Inside size: W2.64x L2.64x H3.15 (m)

Curtain/Net: W3.0 x H2.1 (m)

Curtain: 180G polyester

Prior to assembly:

Please go through the whole instruction manual completely. It is very important to follow your local safety regulations and industry standards during installation.

Regulations may include but are not limited to:







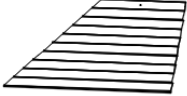
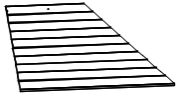






- Safety helmets, protective eyewear, protective glove and clothing
- Safety harnesses for all elevated workers
- Proper ladder and safety operation

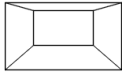











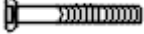






Check all components and parts before installation. All parts are marked with a part number, please refer to the parts list to ensure you have all parts.

Choose a day with low or no wind to install, it is hard to assemble with heavy wind. Do not make any alterations to the structure. Do not hang any weight on the frame during installation, including parts. We are not responsible for any damages or injuries caused by inappropriate installation, unauthorized modifications or extreme weather.

Check the parts list below to make sure all parts are received prior to assembly.

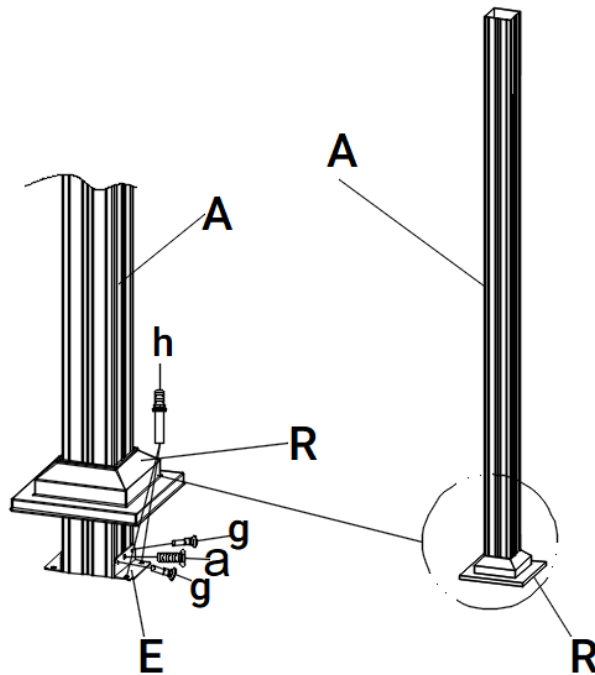
TMG-LGZ10 Part List

Parts code	Graphical	Description	Length	Qty
A		Post	100x100mm	4
B		Cross beam	28x140mm	4
D1		Left support	1.2x60mm	4
D2		Right support	1.2x60mm	4
E		Steel corner	25x25mm	8
F		Post cover	100x140mm	4
G1		Large galvanized sheet (Left)		4
G2		Large galvanized sheet (Right)		4
H1		Small galvanized sheet (Left)		4
H2		Small galvanized sheet (Right)		4
J		Long beam	37x48mm	4
K1		Short beam	32x48mm	4
K2		Short beam connection	1.2x60mm	4
L		Big top		1

L1		Top cover		1
M1		Short support	25x25mm	8
N1		connection		4
N2		connection		4
O1		Left edge strip	25x28mm	4
O2		Right edge strip	25x28mm	4
Q1		Angle cover		4
Q2		Flat cover		4
R		Decorative cover		4
X1		Curtain		1
X2		Net		1
a			M6x16	96
b			M6x45	16
c				24
d		Nut		24
e		gasket		24
f		Hook		1
g			M4.2x20	16
h			M6x80	16

Step 1: Install Post A

- Install decorative cover R on all post A, use screw a to fix steel corner E on the post and tighten the screw.

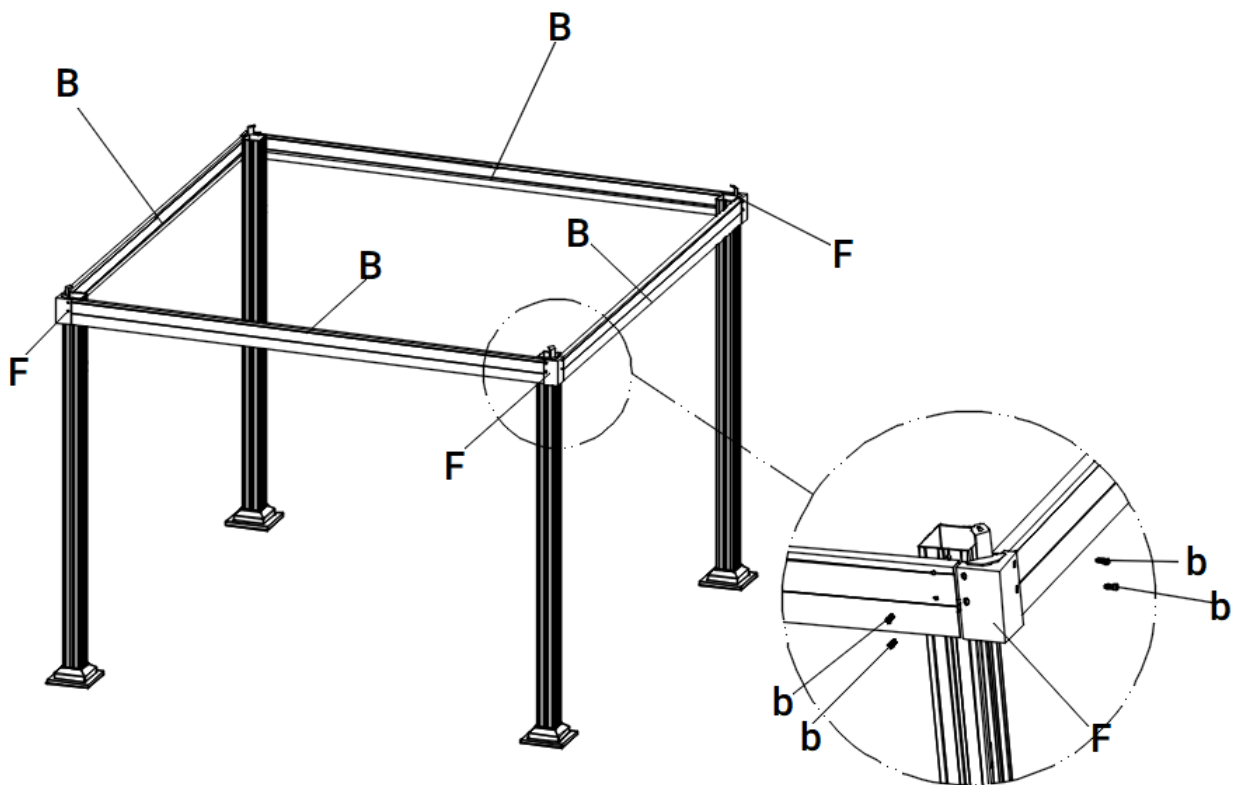




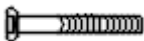
Parts code	Graphical	Qty
A		4
E		8
g		16

Parts code	Graphical	Qty
R		4
a		8
h		16

Step 2: Install Cross Beam B

- Take out the cross beam B and post cover F
- Connect the cross beam B and post cover F to Post A with screws b .



Parts code	Graphical	Qty
B		4
F		4
b		16

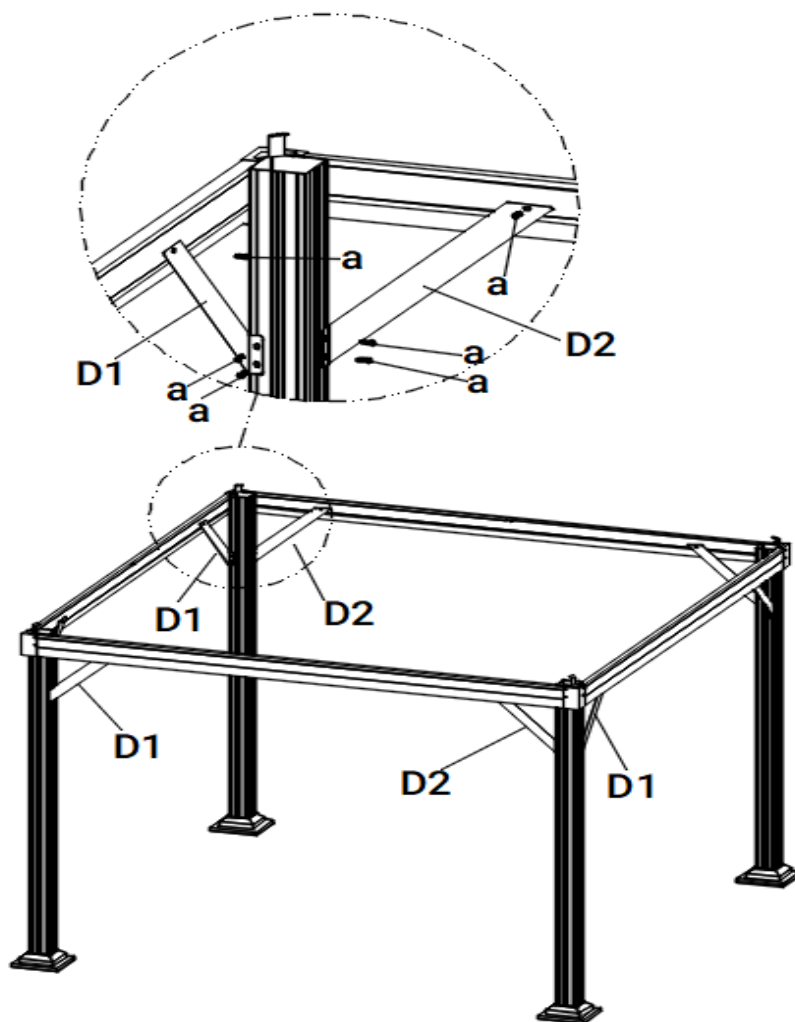
h




M6x80

16

Step 3: Install Left support D1 & right support D2

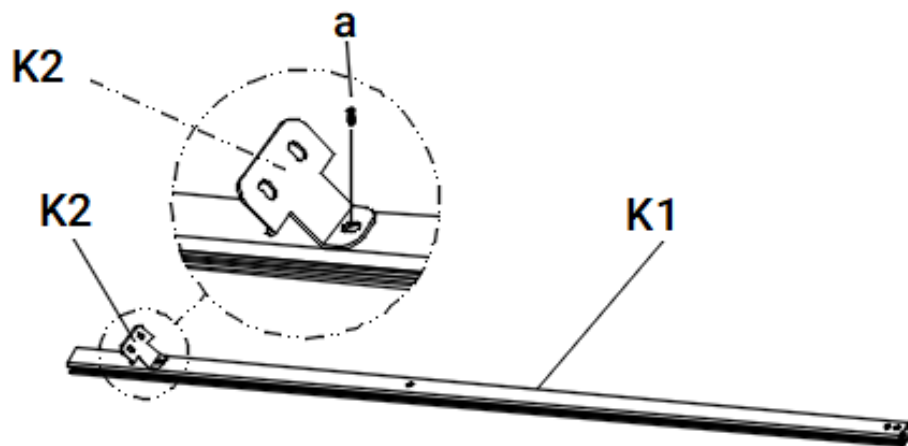
- Take out the D1 and D2 , Connect Left&Right support D1&D2 to the cross beams B and post A with screws a.






Parts code	Graphical	Qty
D1		4
D2		4
a		24

Step 4: Install short beam K1 and short beam connection K2

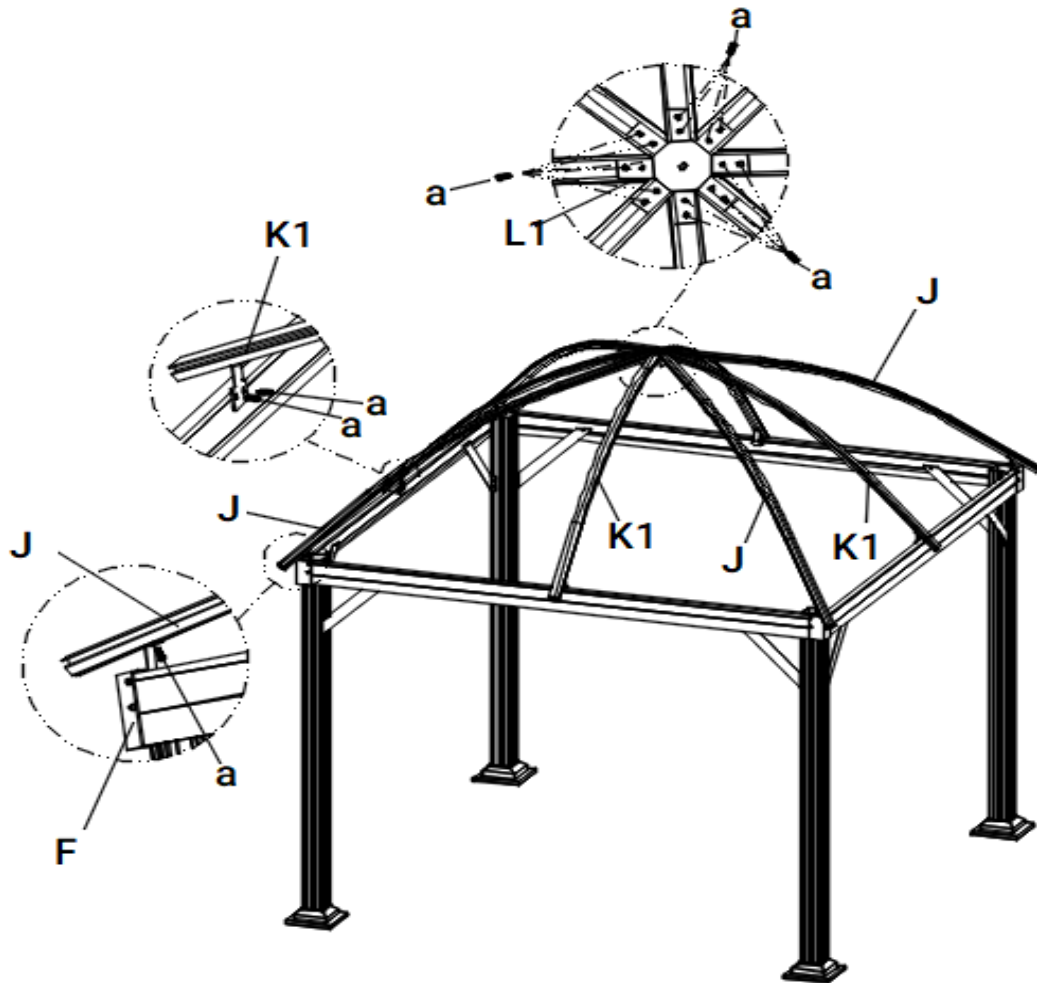
- Take out short beam K1 and K2
- Connect 1 piece short beam K1 and 1 piece K2 with screw a , Install the rest of 3 pieces K1&K2 in the same way.



Parts code	Graphical	Qty
K1		4
K2		4
a		4

Step 5: Install Long beam J and short beam connection K1, Big top L

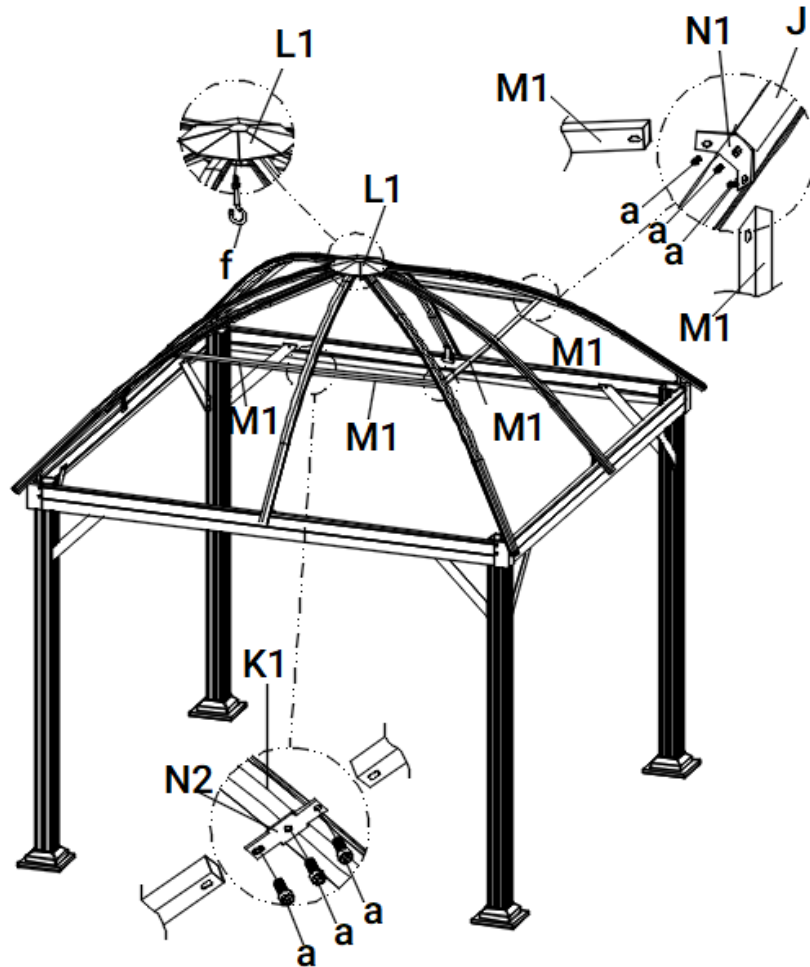
- Take out Long beam J, Connect the long beam J and Post cover F and L respectively with screw a.
- Take out the Installed K1 of Step 4 , use screw a to Connect K1 and L , connection K2 and beam B.



Parts code	Graphical	Qty
J		4
L		1
a		28

Step 6: Install short support M1 on the top

- Take out M1,N1 and N2, Connect N1& J, N2& K1 with screw a
- Then connect M1& N1 , M1 &N2 with screw a
- Take out top cover L1, Connect hook f and L1

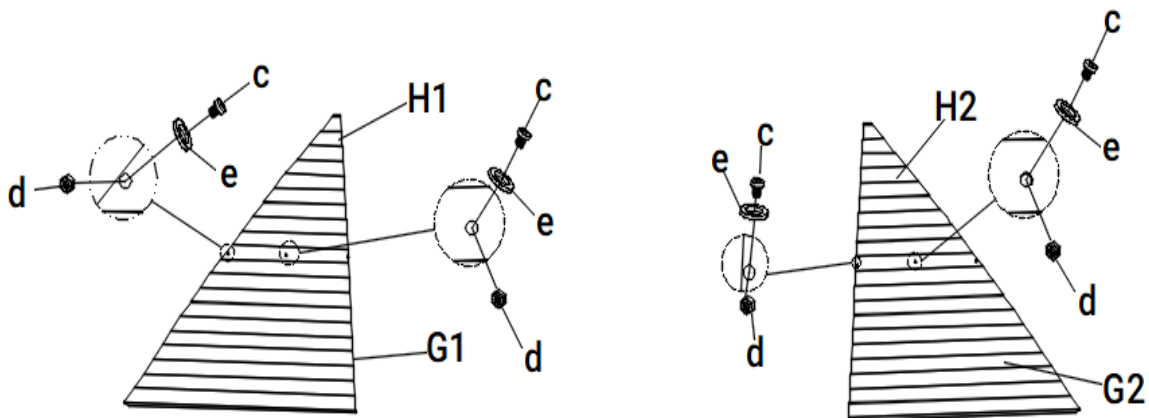


Parts code	Graphical	Qty
M1		8
N1		4
N2		4

Parts code	Graphical	Qty
L1		1
a		24
f		1

Step 7: Connect the galvanized sheet G1 and H1 ,G2 and H2

- Connect left side large G1 and small H1 with screw c, gasket e and nut d
- Connect right side large G2 & small H2 with screw c, gasket e and nut d
- (note: screw c and gasket e are above the sheet ,nut d is below the sheet)

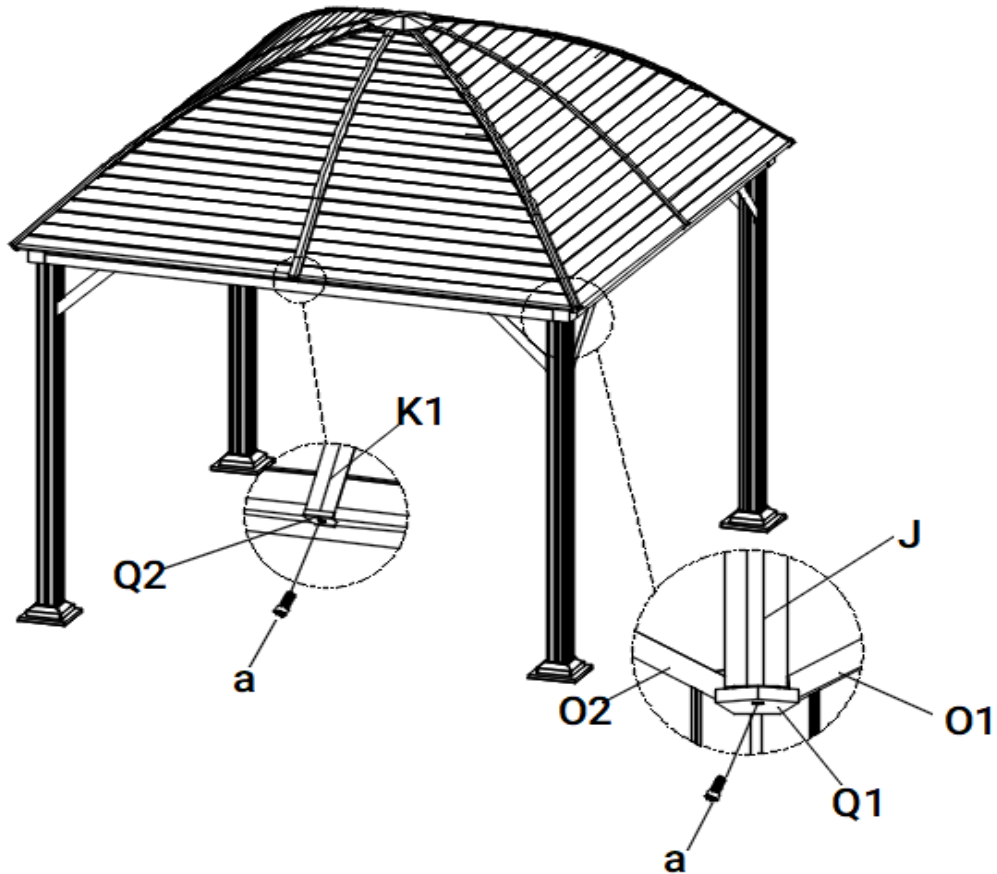


Parts code	Graphical	Qty
G1		4
G2		4
H1		4
H2		4

Parts code	Graphical	Qty
c		24
d		24
e		24

Step 8: Install the galvanized sheet top

- Insert the galvanized sheet of Step 7 into the installed Step 6, After finishing the galvanized sheet top, then fix the edge strip O1(left side)& O2(right side), Angle cover Q1 and flat cover Q2 on the sheet with screw a.

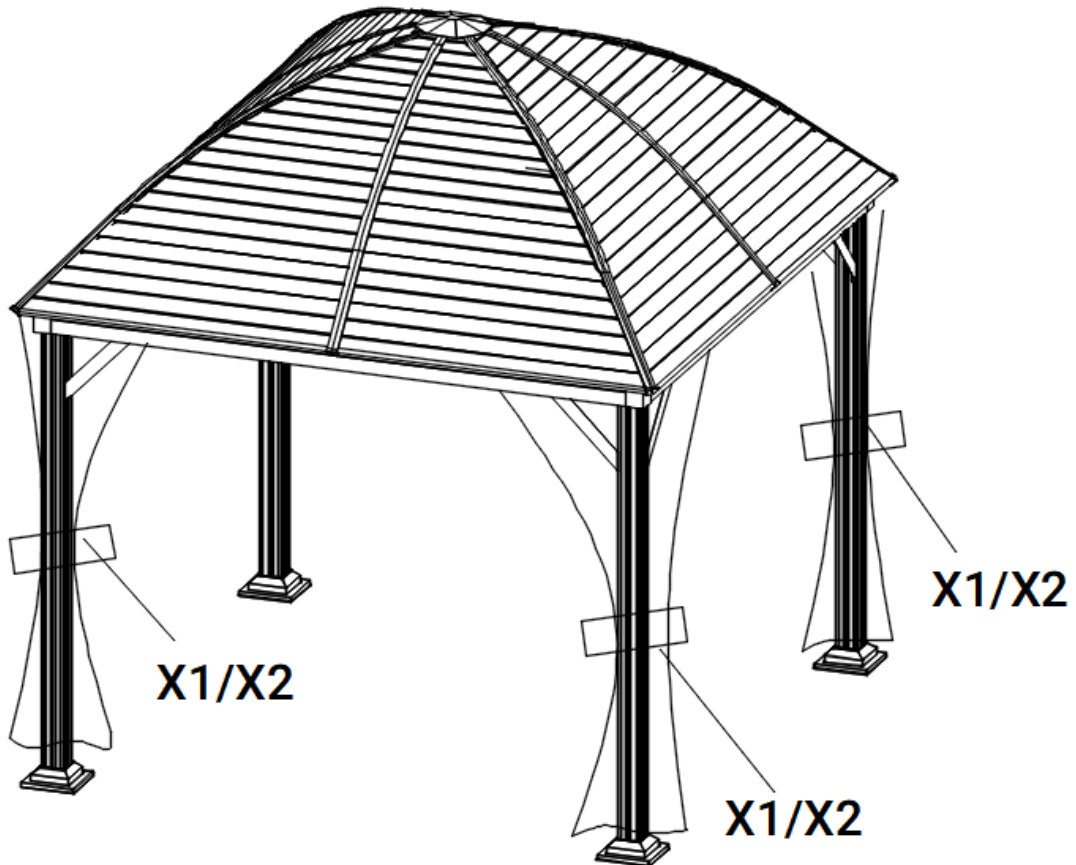


Parts code	Graphical	Qty
O1		4
O2		4
Q1		4
Q2		4

Parts code	Graphical	Qty
a		8

Step 9: Install Curtain X1 and Net X2

- Hang the curtain X1 and the net X2 above on the hook of beam B. (Note: Inside net / outside curtain)



Parts code	Graphical	Qty
X1		1
X2		1