

10Ft x 20Ft Lean-To Greenhouse Grow Tent

Model: TMG-GHL1020



- Please read the product manual completely before assembly
- Check against the parts list to make sure all parts are received
- Wear proper safety goggles or other protective gears while in assembly

Missing parts or questions on assembly?

Please call: 1-877-761-2819 or email: cs@tmgindustrial.com

Do not return the product to dealer, they are not equipped to handle your requests

Main specifications

- Overall assembled size : W3 x L6.5x H3.6(m) / W10 x L21x H12 (ft)
- Shoulder height : H1.6 (m) / 5ft
- Door : W1.2 x H2 (m) / 4 x 6.5 (ft)

Prior to assembly

Please read the instructions carefully before installation. It is important to follow your local safety regulations and industry standards during installation. Regulations may include but are not limited to :

- Safety helmets, protective eyewear, and clothing
- Safety harnesses for all elevated workers
- Proper ladder, cage, and safety operation

Check all components and parts before installation. All parts are marked with a part number, please refer to the parts list to make sure you have all parts.

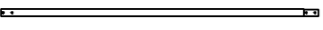

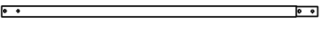
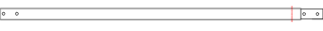

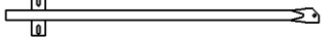

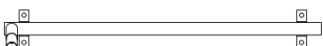

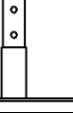
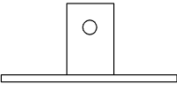
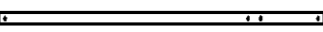
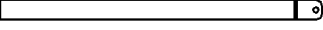


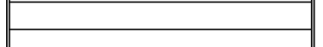

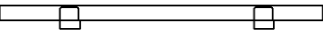
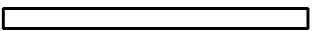
Choose a day with low or no wind to install, assembly is hard in heavy wind. Do not make any alterations to the structure. Do not hang any weights on the frame during installation, including parts. We are not responsible for any damages or injuries caused by inappropriate installation, unauthorized modifications or extreme weather.


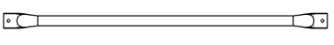



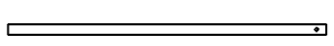
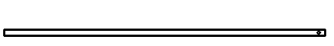
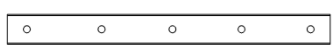










This building is not intended for human occupancy.





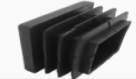
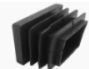


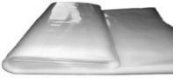






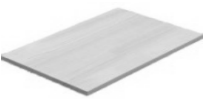

It is recommended to tape or add foam/rubber on the frame where joints connect and where it touches the cover. This will help extend the life span of the cover.

Read the following item list carefully and count the number of items to ensure that all parts are included prior to setup.

TMG-GHL1020 Part List

Parts code	Graphical	Description	length(mm)	Qty
1		Top inclined tube	2142	6
2		Shoulder tube	1757	6
3		Sidewall tube	1452	8
3A		Sidewall tube	1452	1
3B		Door frame upper tube (front and rear truss)	2072	2
3C		Middle upper tube (rear truss)	1552	1
4		Top wall mounted tube (front truss)	1360	1
4A		Top wall mounted tube (middle and rear truss)	1300	4
5		Roof purlin (horizontal tube)	1340	10
5A		Base plate	150x150	9
5B		Door column base plate	150x150	2
6		Door left lower vertical tube	2016	1
6A		Door left upper vertical tube	747	1
6B		Door right lower vertical tube	2021	1
6C		Door right upper vertical tube	1196	1
7		Door frame cross pull tube	1154	1
8		Door frame column left tube	1970	1
8A		Door frame column right tube	1970	1
9		Door horizontal tube	1065	4

10		Door frame horizontal tube (front truss)	790	2
11		Door frame horizontal tube (rear truss)	1375	2
12		Tube clamp	φ 48	9
13		Connector tube	100	2
14		Roll film tube	1993	3
14A		Roll film tube -A	820	1
15		Film rolling machine guide tube	1430	1
16		Clamping groove with hole	2000	4
17		Clip spring	2000	33
18		Clamping groove	2000	29
19		Eight clip spring		11
20		Pressure film carrier	φ 25	6
21		Film rolling machine		1
22		Slide bolt lock		2
23		Expansion bolt	φ 14x100	51
24		Self locking bolt M10x80mm and nuts	M10x80	12
25		Hex bolt and nuts	M10x60	70
26		Hex bolt and nuts	M10x50	9

27		Hex bolt and nuts	M10x30	2
28		Self tapping screw	#12x25	189
29		Self tapping screw	M12x35	38
30		Half round head bolt	M6x50	8
31		Square plug	30x50	2
32		Square plug	30x30	4
33		Round plug	φ 25	2
34		Braided rope	20m	1
35		Top cover film	W6xL7m	1
36		Front and rear door film	W3.5xL4m	2
37		Adhesive tape	10m	3
38		Socket wrench	φ 8	2
39		Hex wrench	φ 4	2
40		Philips head screw	4x30	20
41		Expansion rubber plug	φ 6	20
42		Board (not included)	150x15x2000	9
43		Hex bolt and nuts	M10x100	1

Installation steps

Step 1 : Review the whole structure and choose the proper installation site

- Choose a solid, flat floor area where the floor is perpendicular to the walls to build the building. Do not install the building on soft ground, wetland, uneven surfaces, sloped surfaces.
- We strongly recommend that you build the structure on a solid foundation such as cement and use anchor bolts on all base plates.
- Be aware of the surrounding area. Do not set up the building near snowdrifts, open flames or exposed electrical wires. Do not keep heat sources near the fabric cover. Keep the building surroundings clear at all times

Step 2 : Install top wall mounted tube and base plate

- Install the top wall mounted tube (#4,#4A) on the wall and install the base plate on the ground perpendicular to it (#5A,#5B) (refer to figure 1)
- Parts used in this step :
 - (1) Top wall mounted tube (#4)
 - (4) Top wall mounted tube (#4A)
 - (9) Base plate (#5A)
 - (2) Door column base plate (#5B)
 - (51) Expansion bolts (#23)
 - (2) Square plug 30x50 (#31)

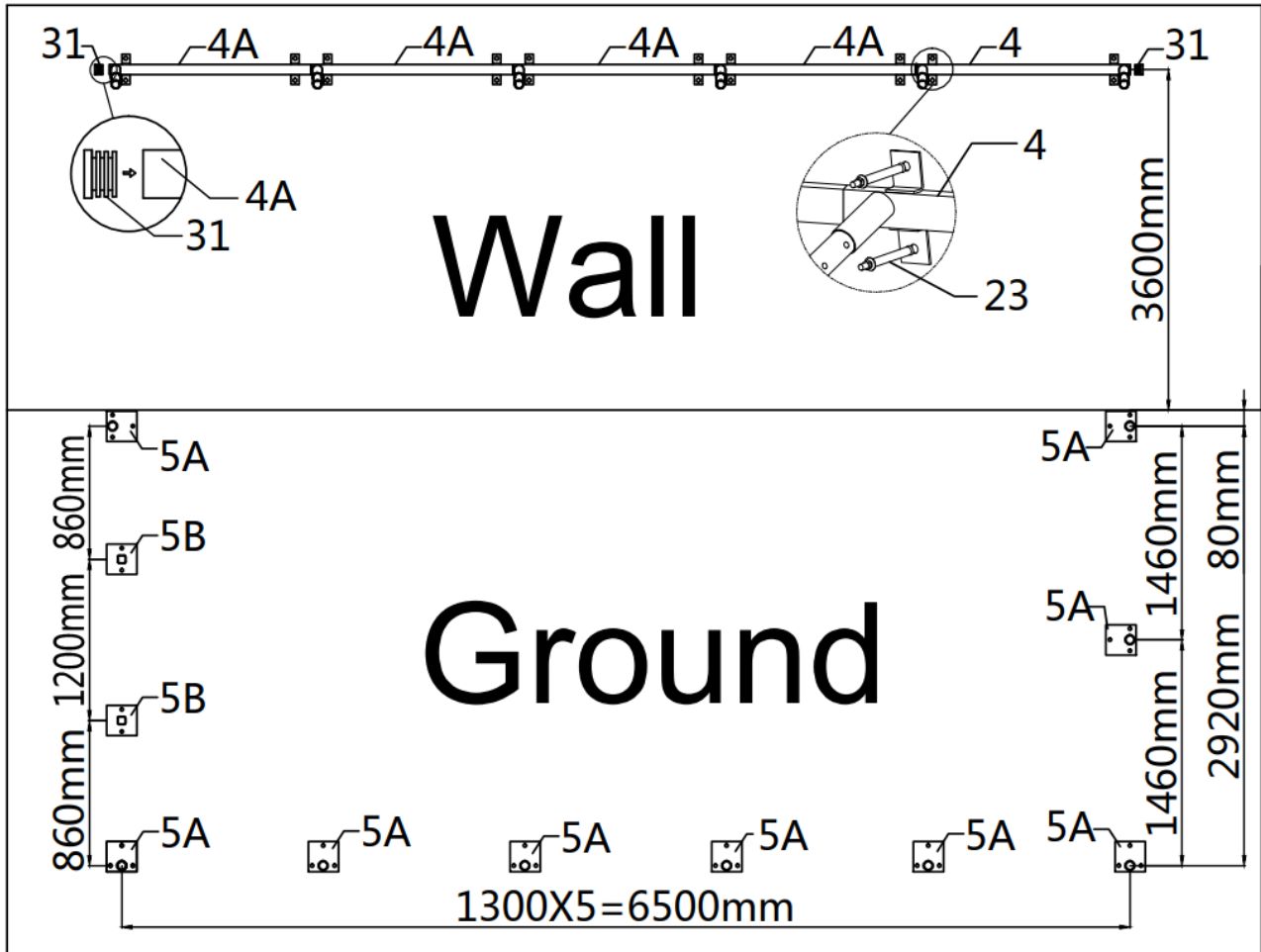


Figure 1

Step 3 : Assemble trusses

- The building includes 6 trusses : (1) The former truss, and (1) Rear truss, and (4) middle trusses. Please note the difference between the front, middle and rear trusses.
- First assemble the three main pipes of the truss (refer to figure 2) .Note the distinction between sidewall tube (#3) and sidewall tube (#3A)

- Parts used to install the front and rear truss in this step :

- (1) Top inclined tube (#1)
- (1) Shoulder tube (#2)
- (1) Sidewall tube (#3A)
- (4) Hex bolt and nuts (#25)

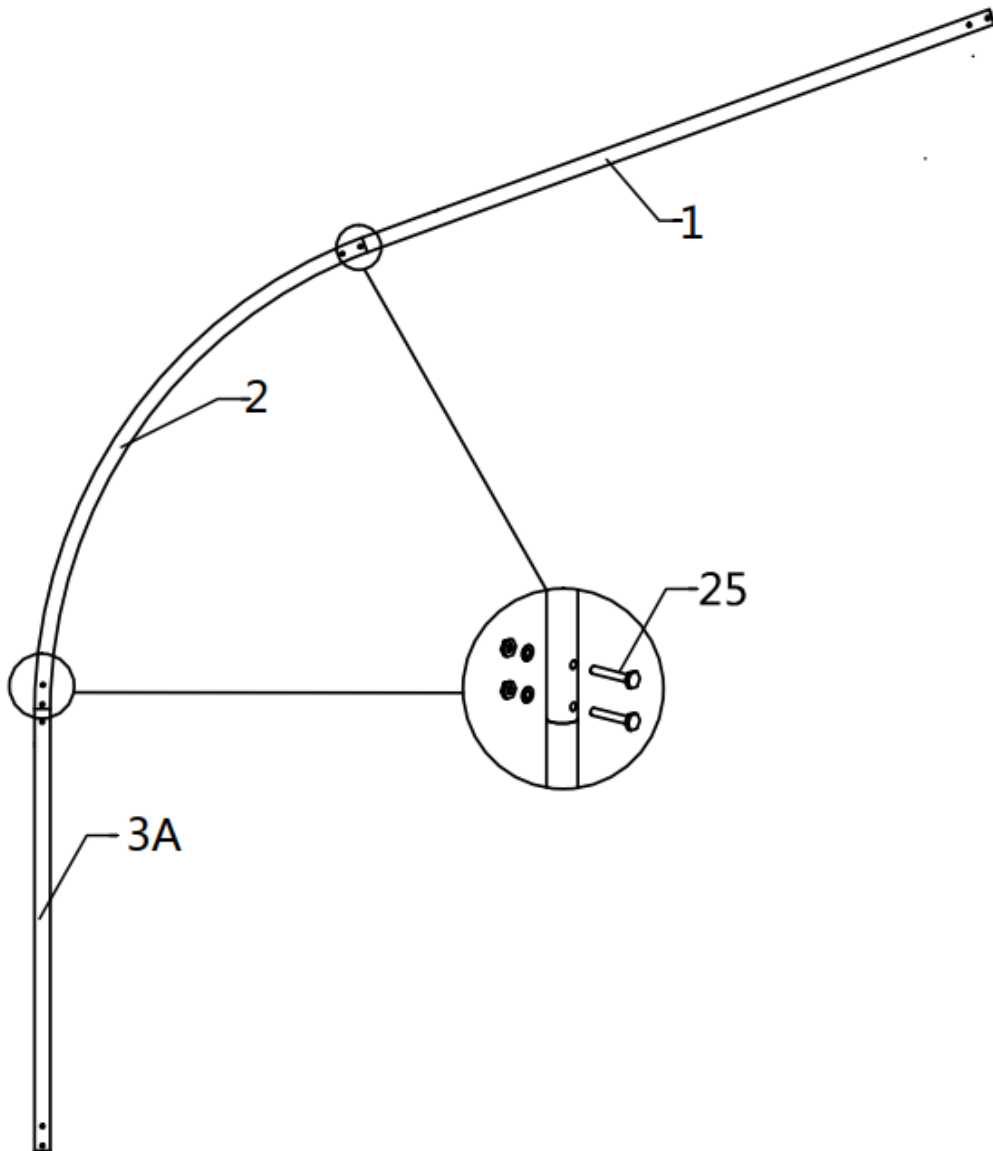


Figure 2

- Install the remaining truss (refer to figure 3).
- Parts used in this step :
 - (1x5) Top inclined tube (#1)
 - (1x5) Shoulder tube (#2)
 - (1x5) Sidewall tube (#3)
 - (4x5) Hex bolt and nuts (#25)

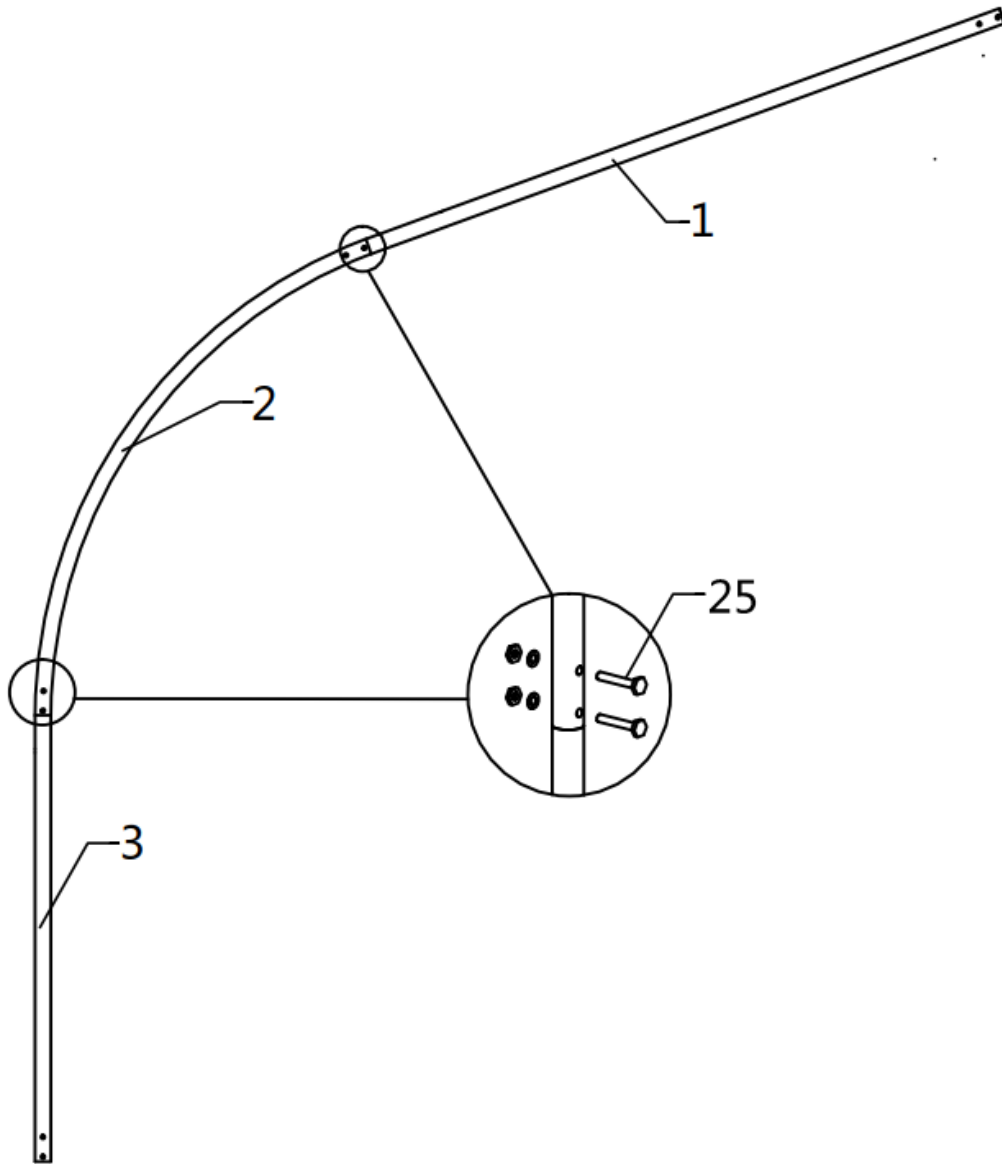


Figure 3

- After installing the screws of the trusses, handle the pipe head interface : seal the interface with adhesive tape (#37) and truss installation method (refer to figure 4).
- Assemble all trusses and fix the trusses on the baseboard. The installation effect drawing of all trusses (refer to figure 4).
- Parts used in this step :
 - (4x6) Hex bolt and nuts (#25)
 - (1) Adhesive tape (#37)

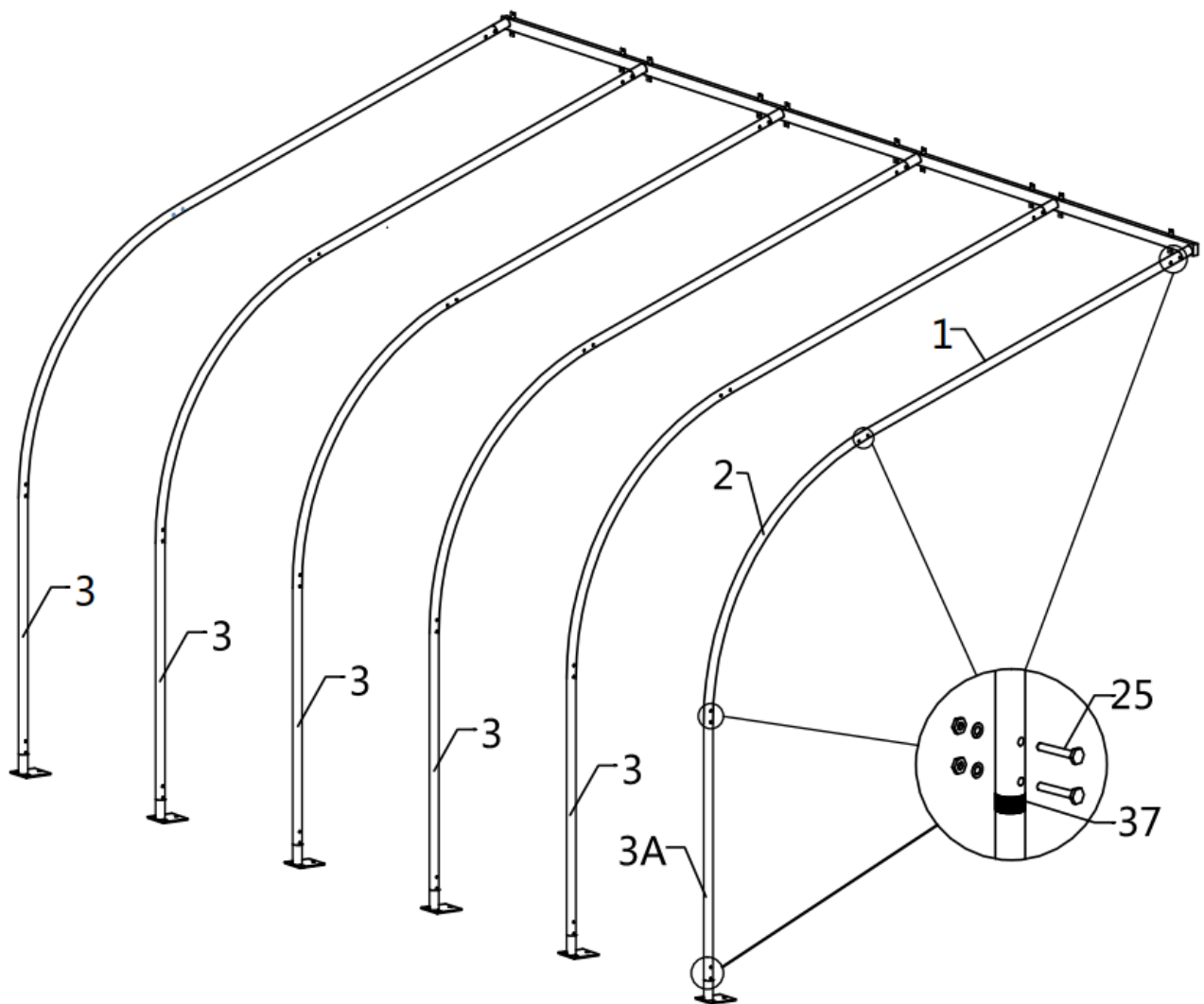


Figure 4

Step 4 : Install the roof purlin.

- Install roof purlins to secure all trusses and seal bolts with adhesive tape (refer to figure 5)
- Parts used in this step :
 - (2x5) Roof purlin (#5)
 - (2x6) Hex bolt and nuts (#24)
 - (2) Adhesive tape (#37)

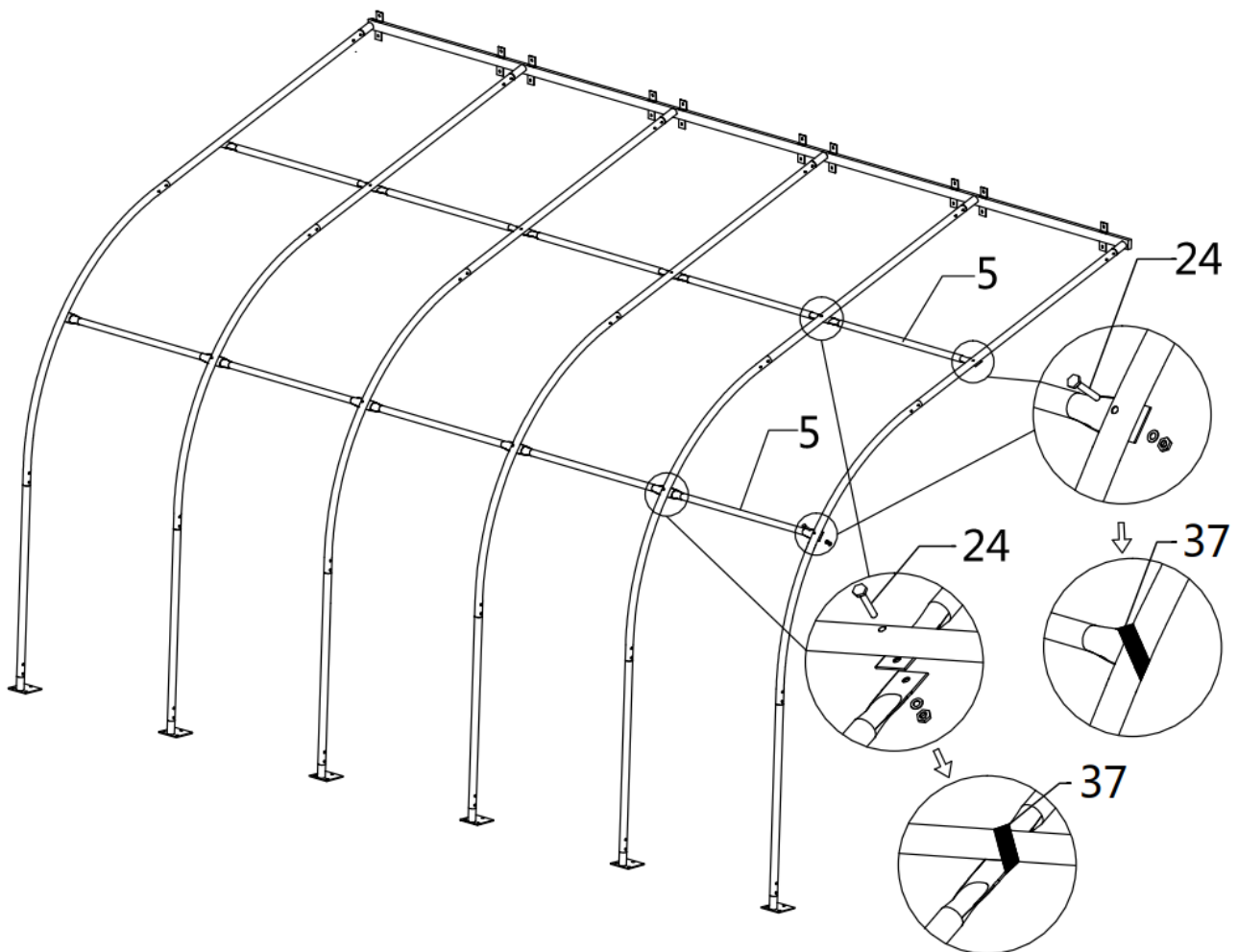


Figure 5

Step 5 : Installation of rear trusses riser (refer to figure 6).

- Parts used in this step :
 - (2) Sidewall tube (#3)
 - (1) Door frame upper tube (#3B)
 - (1) Middle upper tube (#3C)
 - (2) Door frame horizontal tube (#11)
 - (4) Tube clamp (#12)
 - (8) Hex bolt and nuts (#25)
 - (4) Hex bolt and nuts (#26)
 - (2) Hex bolt and nuts (#27)

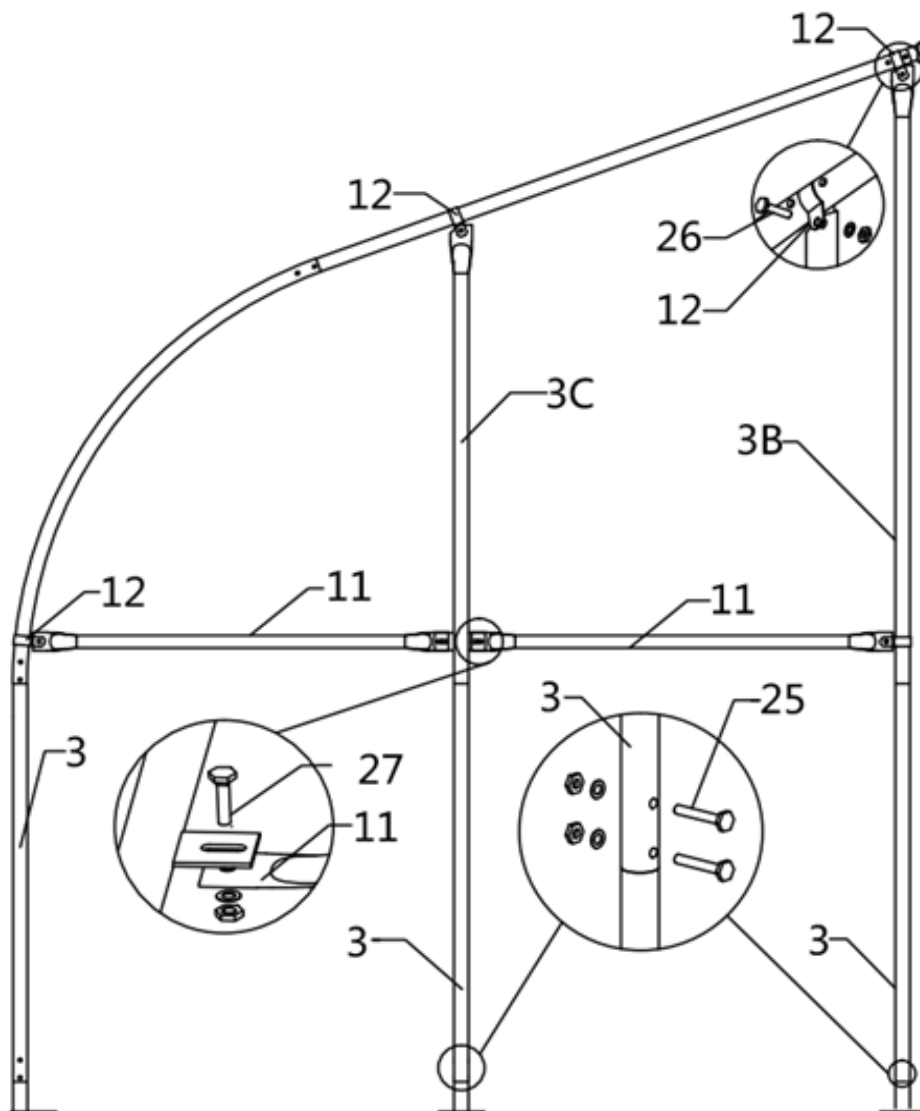


Figure 6

Step 6 : Install the front truss riser and door (refer to figure 7).

- Parts used in this step :
 - (1) Sidewall tube (#3)
 - (1) Door frame upper tube (#3B)
 - (1) Door left lower vertical tube (#6)
 - (1) Door left upper vertical tube (#6A)
 - (1) Door right lower vertical tube (#6B)
 - (1) Door right upper vertical tube (#6C)
 - (1) Door frame cross pull tube (#7)
 - (1) Door frame column left tube (#8)
 - (1) Door frame column right tube (#8A)
 - (4) Door horizontal tube (#9)
 - (2) Door frame horizontal tube (#10)
 - (5) Tube clamp (#12)
 - (2) Connector tube (#13)
 - (1) Clamping groove (#18)
 - (14) Hex bolt and nuts (#25)
 - (5) Hex bolt and nuts (#26)
 - (4) Self tapping screw (#28)
 - (8) Half round head bolt (#30)
 - (4) Square plug (#32)

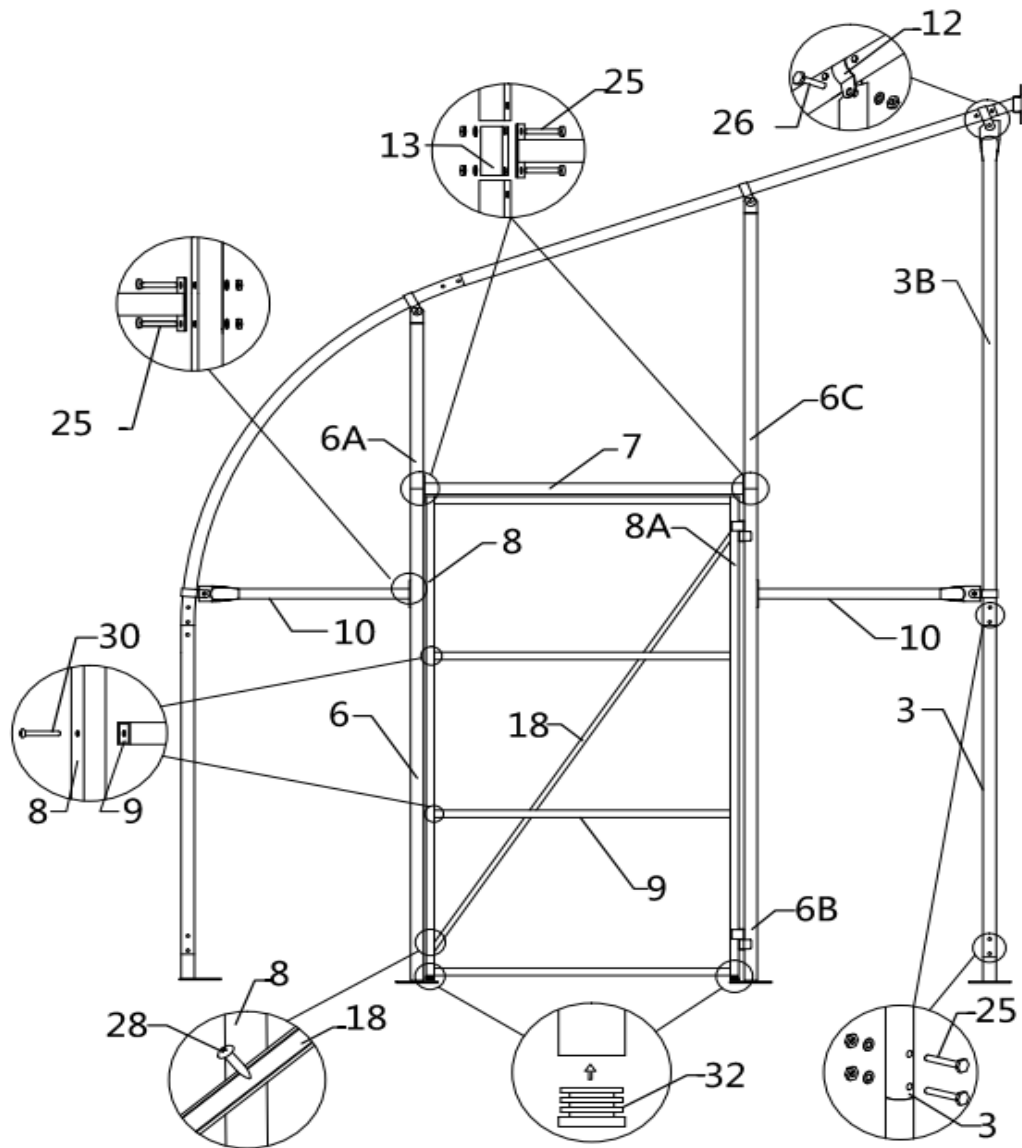


Figure 7

- The whole structure inspection : Check all components and trusses to ensure that top square pipe assembly welding of the wall is in line with the baseboard on the ground. All trusses must be erected at an angle of 90 degrees. All purlins must be straight in line. If any purlins are not in line with they will need to be corrected before moving to the next step.
- Now it is the time to secure all bolts and nuts firmly on the structure. But do not over-tight the bolts, otherwise the tubes might be damaged.

Step 7 : Install board, clamping groove and then cover tarpaulin (refer to figure 8).

- Parts used in this step :

- (4) Clamping groove with hole (#16)
- (28) Clamping groove (#18)
- (165) Self tapping screw (#28)
- (38) Self tapping screw (#29)
- (20) Philips head screw (#40)
- (20) Expansion rubber plug (#41)
- (9) Board (not included) (#42)

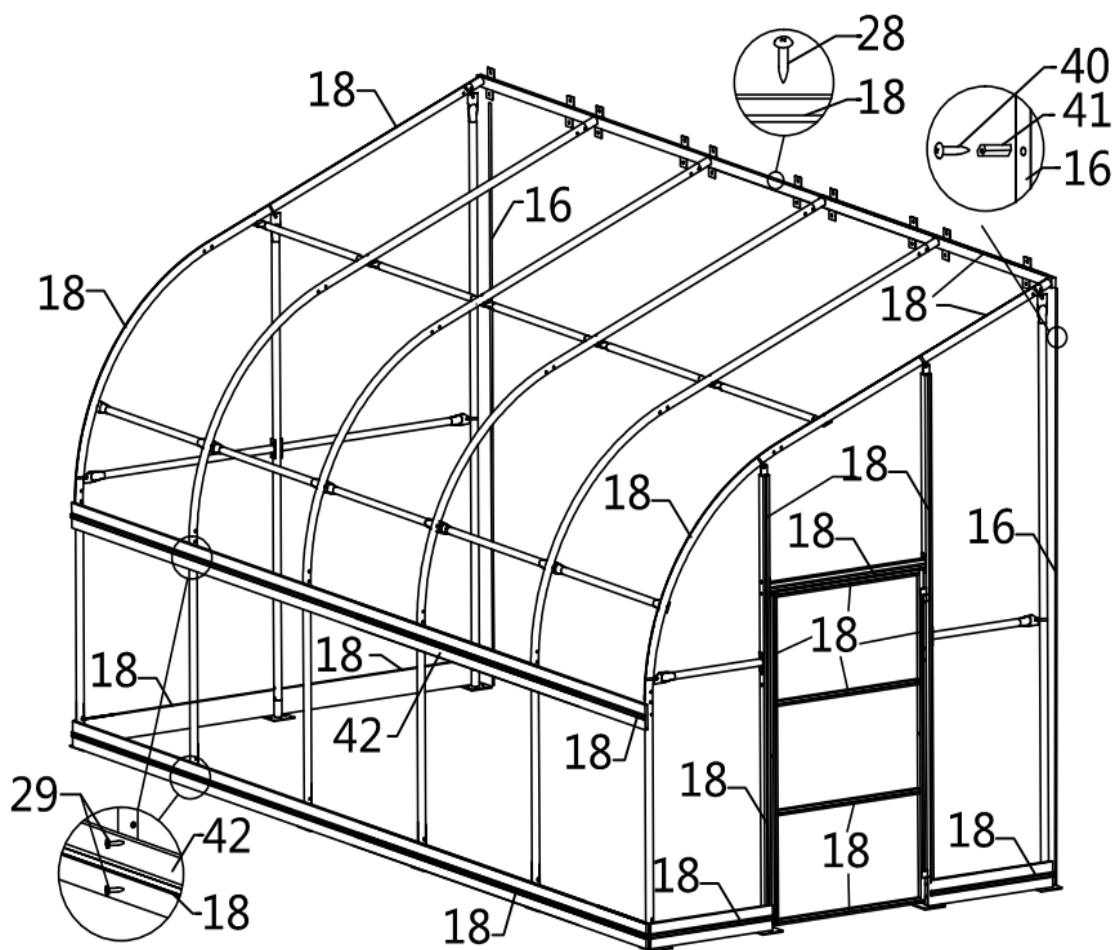


Figure 8

- Note :
- 1. The top clamping groove (#18) is fixed on the top square pipe assembly welding (#4,#4A) with Self tapping screw (#28).
- 2. The board (#42) is directly nailed to truss sidewall tube (#3,#3A) with self tapping screw (#29).
- 3. Then clamping groove (#18) nail it to board (#42).
- 4. The part close to the wall directly nails the Clamping groove with hole (#16) on the wall.
- The clapping groove (#18) distribution of the front door and slide bolt lock (#22) installation are as follows (refer to figure 9). After front and rear door film is covered, the excess parts can be trimmed off.
- Note : Where clamp groove (#16,#18) is installed, all tarpaulins need to be fixed by Clip spring (#17).
- Parts used in this step :
 - (14) Clip spring (#17)
 - (2) Slide bolt lock (#22)
 - (12) Self tapping screw (#28)
 - (1) Front and rear door film (#36)

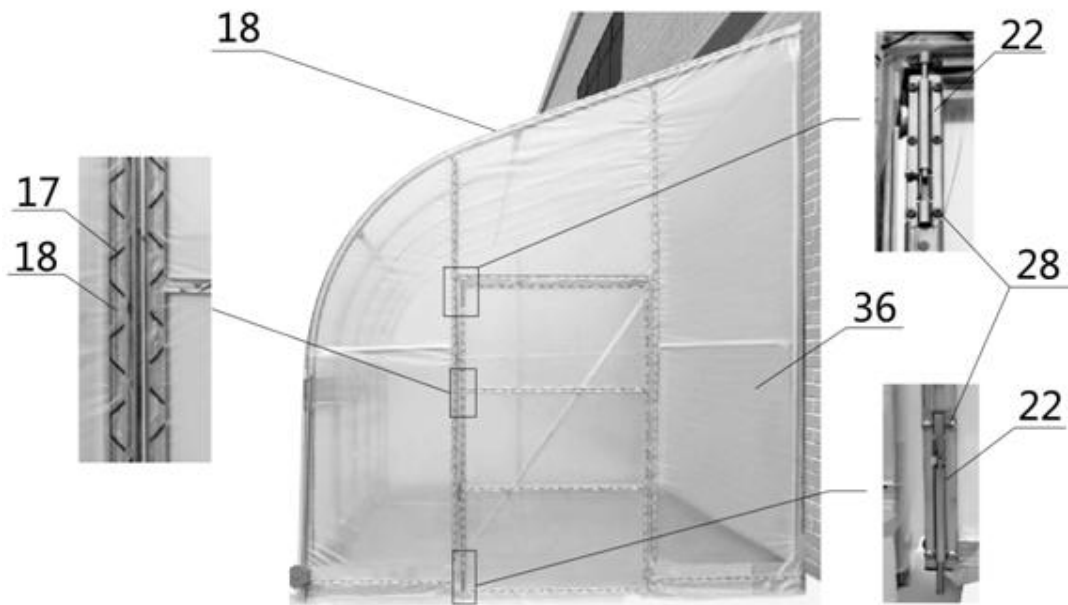


Figure 9

- Installation and distribution of rear clamping film groove (refer to figure 10). The excess parts can be trimmed off.
- Parts used in this step :
 - (8) Clip spring (#17)
 - (1) Front and rear door film (#36)

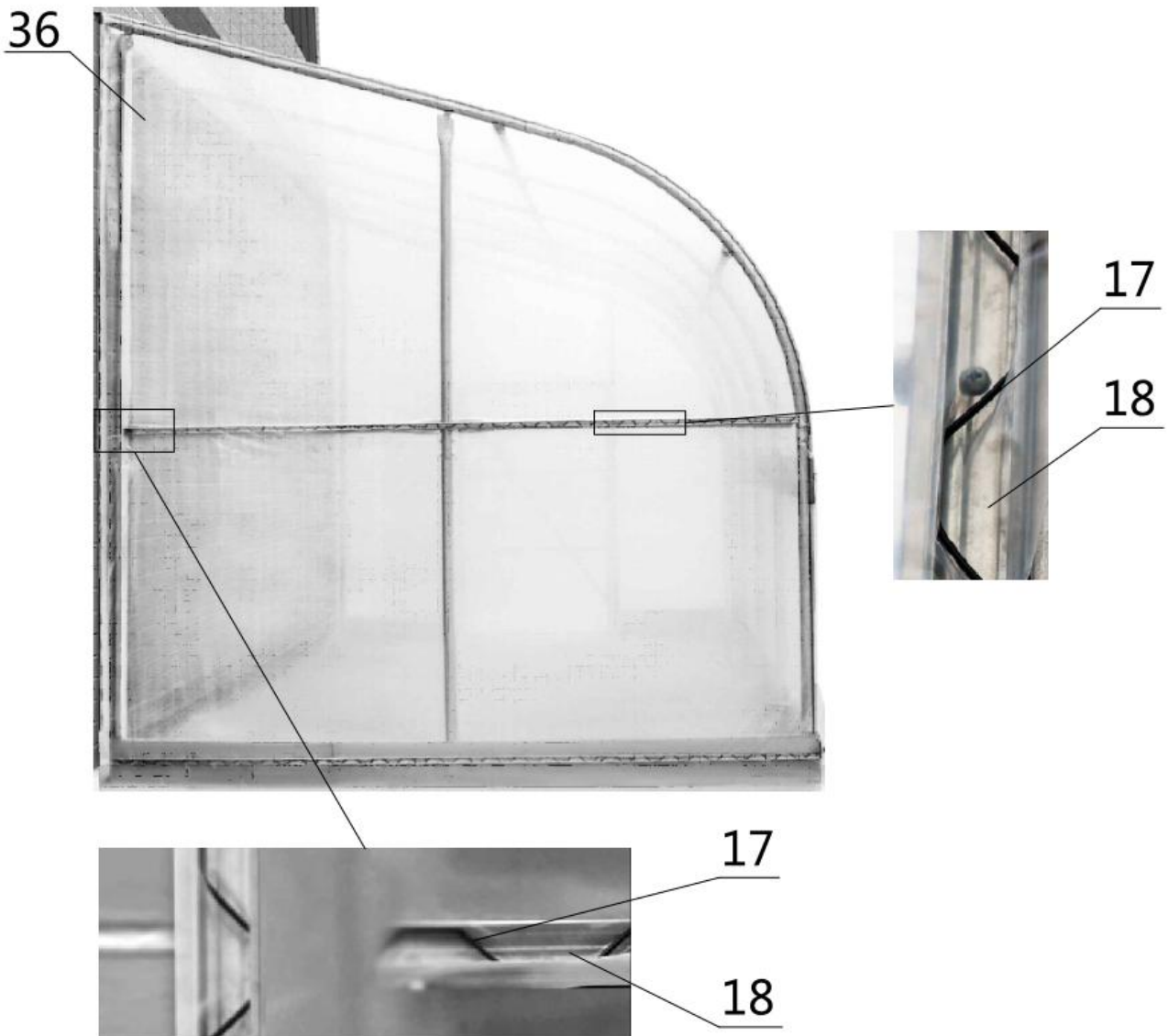


Figure 10

- After installing tarpaulin on both sides, install top cover film (#35) (refer to figure 11). First clamp tarpaulin with clip spring from the top, and then to the side.
- Parts used in this step :
 - (11) Clip spring (#17)
 - (1) Top cover film (#35)

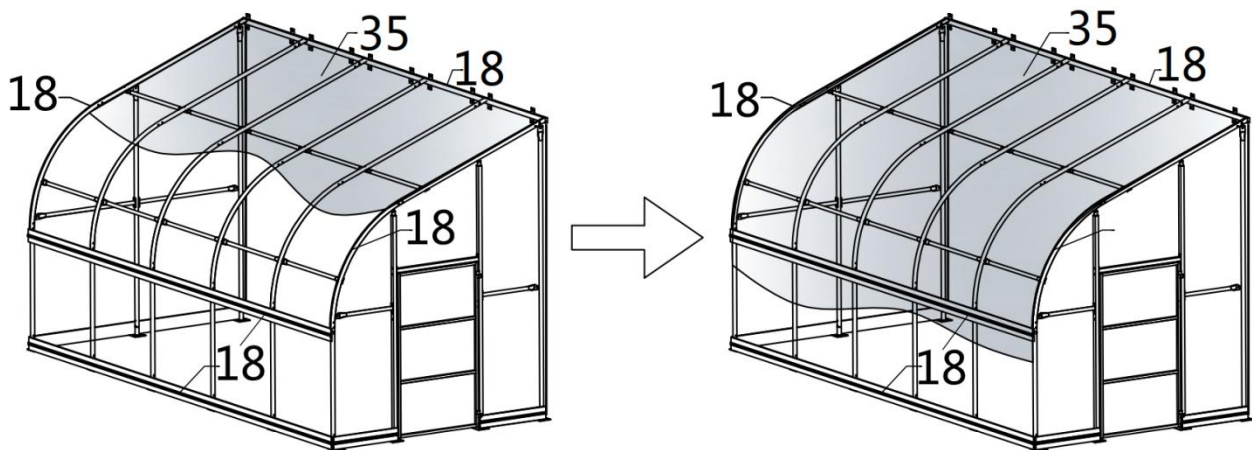


Figure 11

Step 8 : Installing the Film rolling machine.

- To Install the film rolling machine, first fix the Film rolling machine guide tube on the lower riser-a of truss (refer to figure 12).
- This step covers tarpaulin top cover (#35) and installs roll film tube (#14,#14A), And cut off the excess tarpaulin on both sides.
- A round plug (#33) is put on both ends of the film rolling machine guide tube (#15), and the guide tube is mounted on the frame with a hex bolt (#26), and it is required to swing freely. After using a self tapping screw (#28) to connect the roll film tube (#14), lay it flat on both sides of the frame. The film (#35) is wound on a roll film tube (#14), and clamped with a pressure film carrier (#20). The film rolling machine (#21) drives the roll film tube (#14) to be raised and lowered horizontally and flexibly without jamming. (refer to figure 12).
- In this step, install the film rolling machine on the film rolling machine guide tube (#15) , and the installation method is as follows : (refer to figure 12).
- Installing braided rope (refer to figure 12)

- Parts used in this step :

- (3) Roll film tube (#14)
- (1) Roll film tube-A (#14A)
- (1) Film rolling machine guide tube (#15)
- (11) Eight clip spring (#19)
- (6) Pressure film carrier (#20)
- (1) Film rolling machine (#21)
- (12) Self tapping screw (#28)
- (2) Round plug (#33)
- (1) Braided rope (#34)
- (1) Hex bolt and nuts (#43)

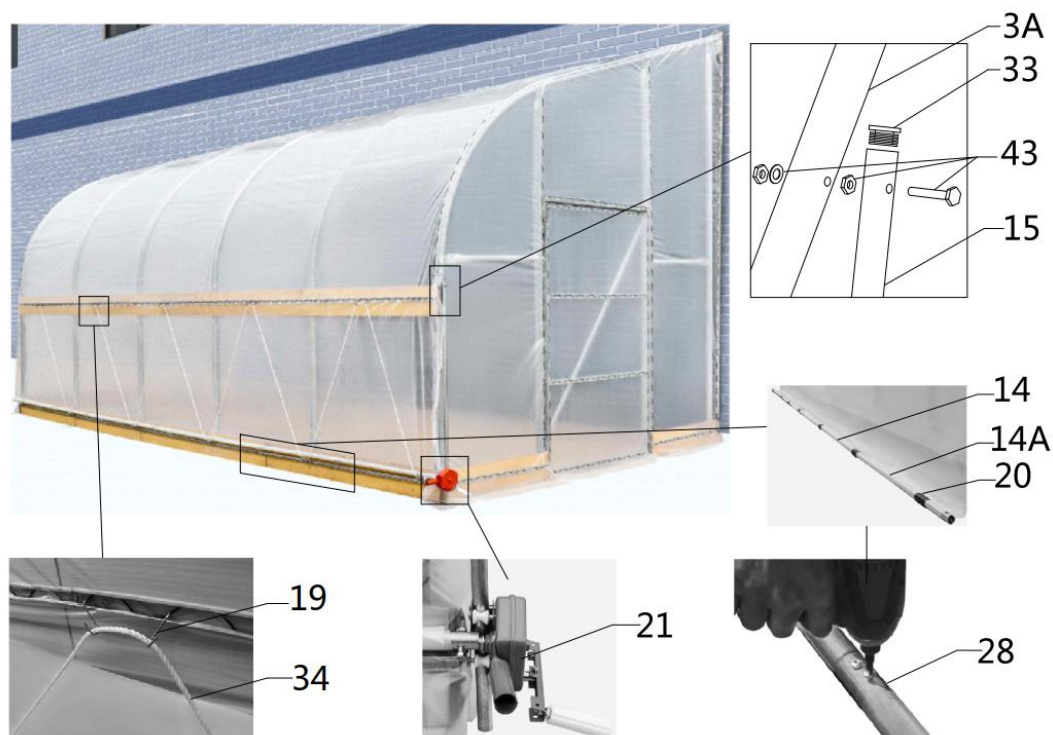


Figure 12

After the Installation

Walk around and inspect the Insulation shed periodically to make sure all components are still firmly secured and the whole shelter is well supported. Check all bolts and nuts as well as all connection points to make sure they are all in good position.

We strongly recommend you remove any snow from the roof immediately. Do not leave any snow load on the roof overnight. Keep 3 feet of clearance on all sides at all times. Do not allow snow to accumulate and pile up on the sides of the building. Otherwise the pressure from the sides will push inwards and could lead to a collapse.