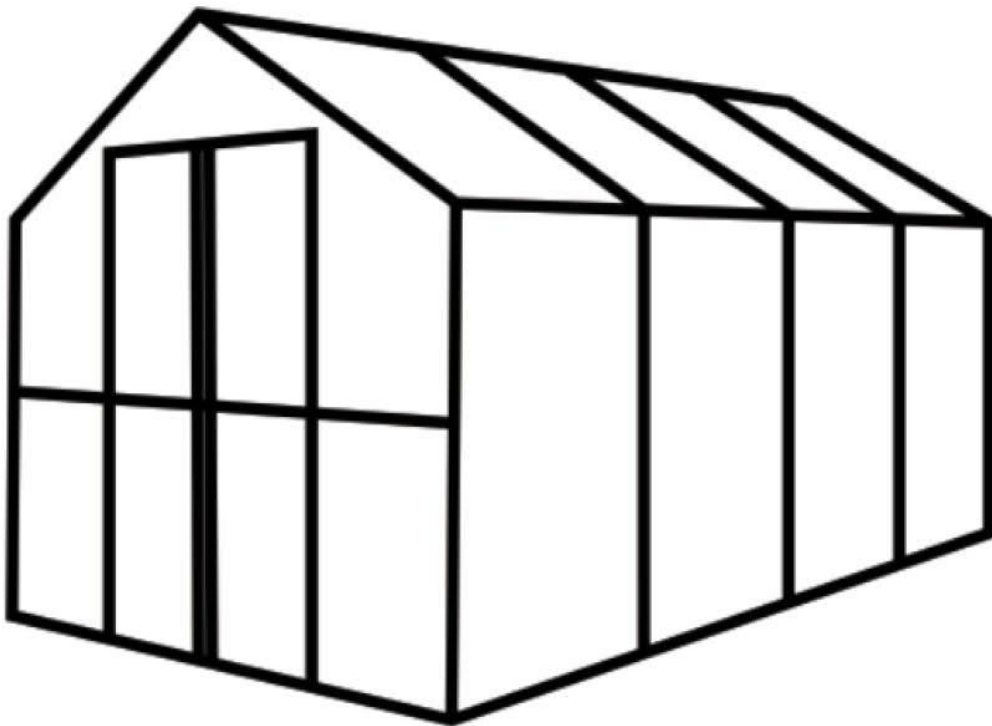


8' X 13' GALVANIZED STEEL GREENHOUSE GROW TENT



- Please read and understand the product manual completely before assembly
- Check against the parts list to make sure all parts are received
- Wear proper safety goggles or other protective gears while in assembly
- Do not return the product to dealer. They are not equipped to handle your requests.

Missing parts or have questions on assembly?

Please call: 1-877-761-2819 or email: cs@tmgindustrial.com

MAIN SPECIFICATIONS :

- Overall assembled size : W2.4 x L4 x H2.3 (m) / 7.87 x 13.12 x 7.54 (ft)
- Shoulder height : 1.5 m / 5.18 ft
- Ridge peak height : 2.3m / 7.54 ft
- The front and back doors : 1.1 x 1.8 (m) / 3.6 x 5.9 (ft)

PRIOR TO ASSEMBLY

Please read the instructions carefully before installation. It is important to follow your local safety regulations and industry standards during installation. Regulations may include but are not limited to :

- Safety helmets, protective eyewear, and clothing.
- Safety harnesses for all elevated workers.
- Proper ladder, cage, and safety operation.





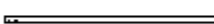




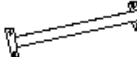


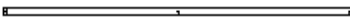
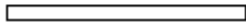
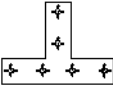


Check all components and parts before installation. All parts are marked with a part number, please refer to the parts list to make sure you have all parts.

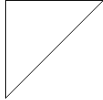

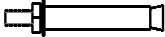
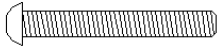

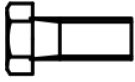


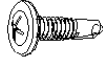
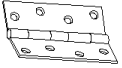




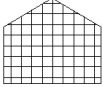
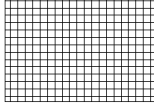
Choose a day with low or no wind to install, assembly is hard in heavy wind. Do not make any alterations to the structure. Do not hang any weights on the frame during installation, including parts. We are not responsible for any damages or injuries caused by inappropriate installation, unauthorized modifications or extreme weather.

This building is not intended for human occupancy.

It is recommended to tape or add foam/rubber on the frame where joints connect and where it touches the cover. This will help extend the life span of the cover.

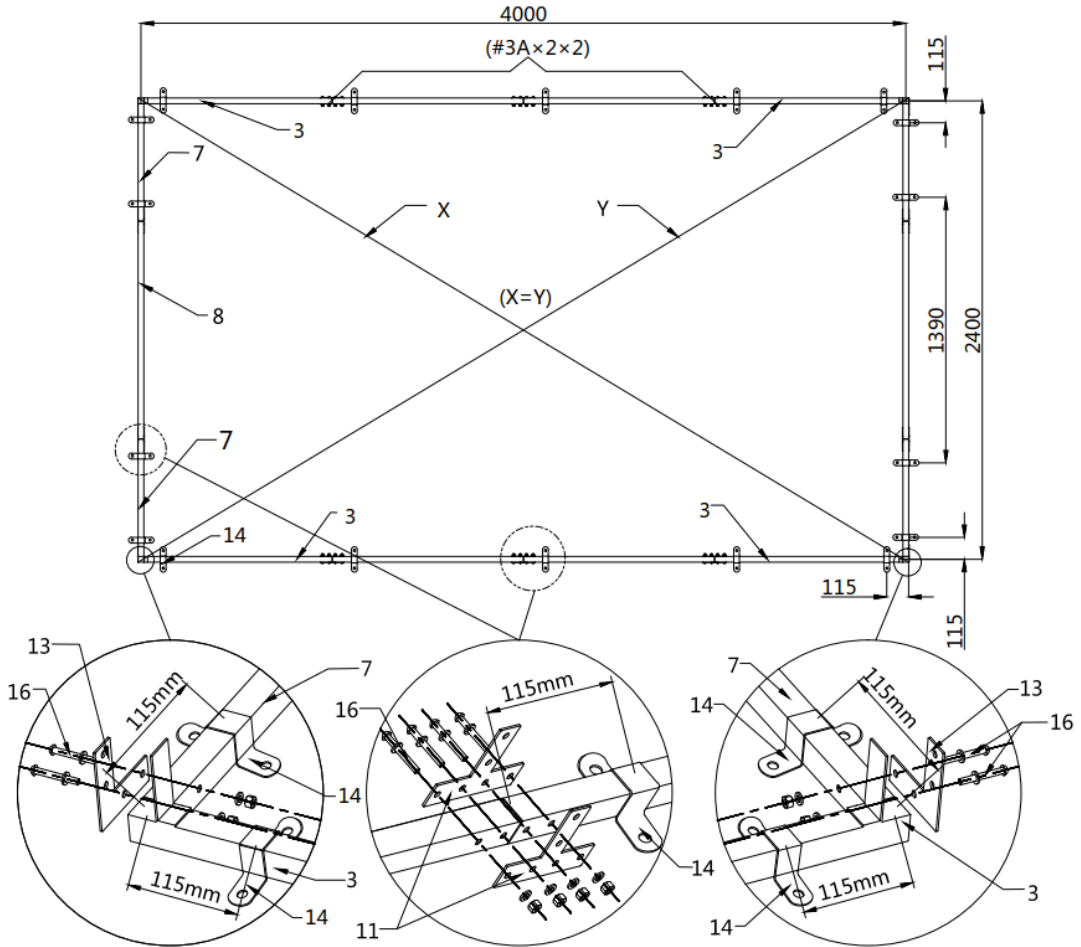
TMG-GH813 PART LIST

PARTS CODE	GRAPHICAL	DESCRIPTION	LENGTH	QTY
1		Truss upper eave beam pipe	L1398mm	6
1A		Front and rear door truss upper eave beam pipe	L1398mm	4
2		Lower straight pipe of middle truss	L1555mm	6
2A		Lower straight pipe of front and rear doors	L1555mm	4
3		Anchor connection pipe	L1012mm	4
3A		Anchor connection pipe	L996mm	4
4		Cross pull tube assembly	L970mm	12
4A		Front and rear door pillar support pipe	L1864mm	4
5		Horizontal pull pipe on front and rear doors	L1130mm	2
6		Front and rear door side cross pull pipe	L610mm	4
7		Anchor connecting pipe of front and rear doors	L604mm	4
8		Anchor connecting pipe of front and rear doors	L1158mm	2
9		Door frame column pipe	L1750mm	8
10		Door frame cross pull pipe	L490mm	12
11		T-shaped connecting plate	L122mm	20
12		Arc connecting plate	L120mm	6
13		L-shaped connecting plate	L90mm	4

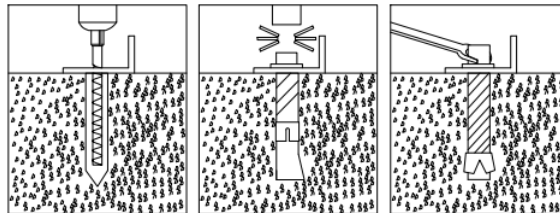
13A		Triangular fixing plate	L150mm	16
14		Riding clip	L134mm	18
15		Expansion bolt	φ8x100mm	36
16		Mushroom head hexagon socket bolt	M6x45mm	180
16A		Inner hexagon spanner	4mm	3
17		Hex Bolt	M10x30mm	4
18		Compression strip	L2000mm	46
19		Scratch resistant tape	10m	1
20		Cross round head drill tail tapping screw	M5x15mm	994
21		Hinge		8
22		Door latch	L145mm	8
22A		Door handle	L150mm	4
23		Limit lever	L1216mm	2
23A		Connecting plate	L122mm	2
24		Front and rear baffle cloth	W2550xL2960mm	2
25		Roof cloth	W4420xL6400mm	1

INSTALLATION STEPS

STEP 1 : FOUNDATION PIPE INSTALLATION.



- Installation diagram of expansion bolt.

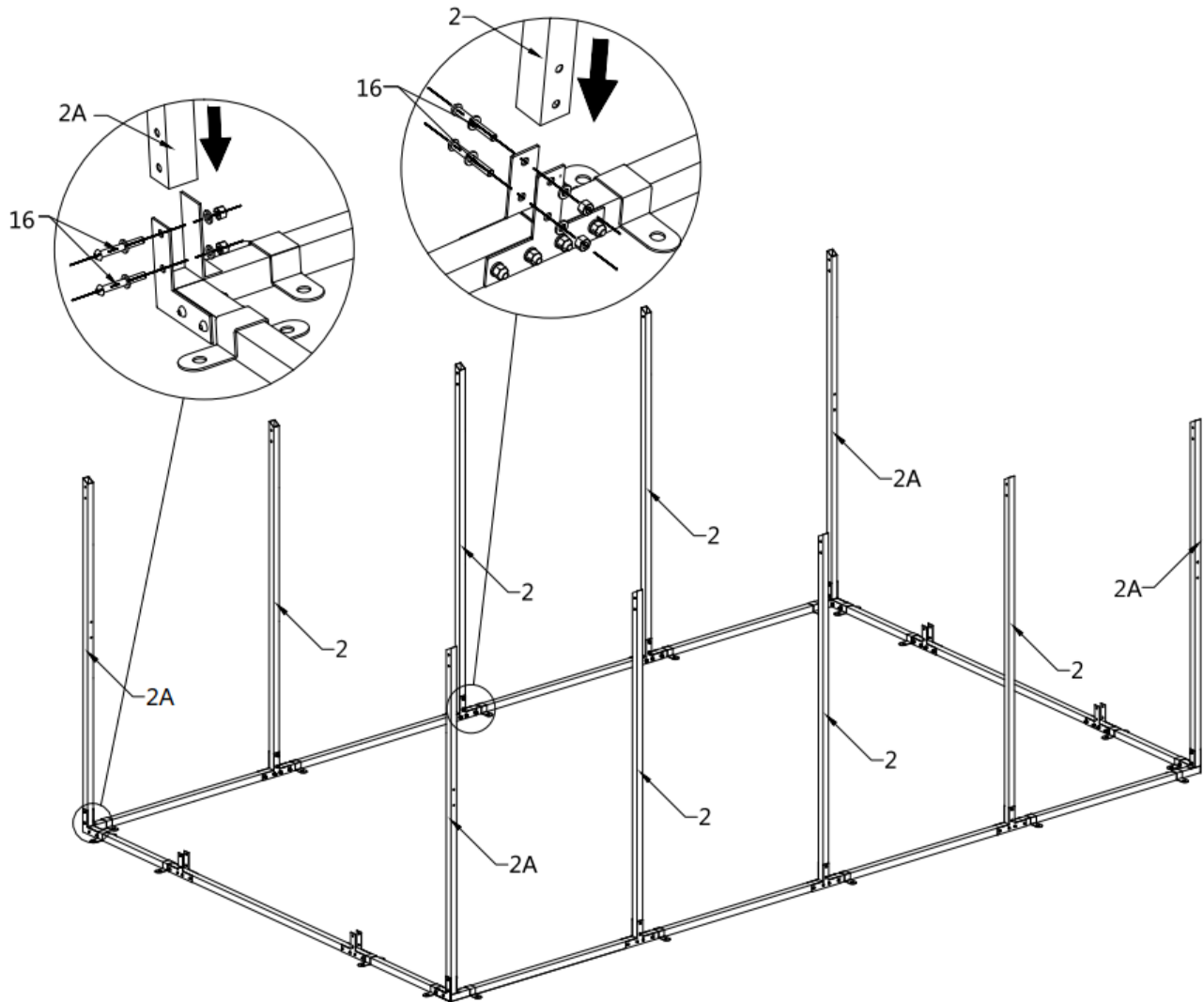





NO.	PART	QTY
3		4
3A		4
7		4
8		2
11		20

NO.	PART	QTY
13		4
14		18
15		36
16		48

STEP 2 : INSTALL THE LOWER STRAIGHT PIPE.

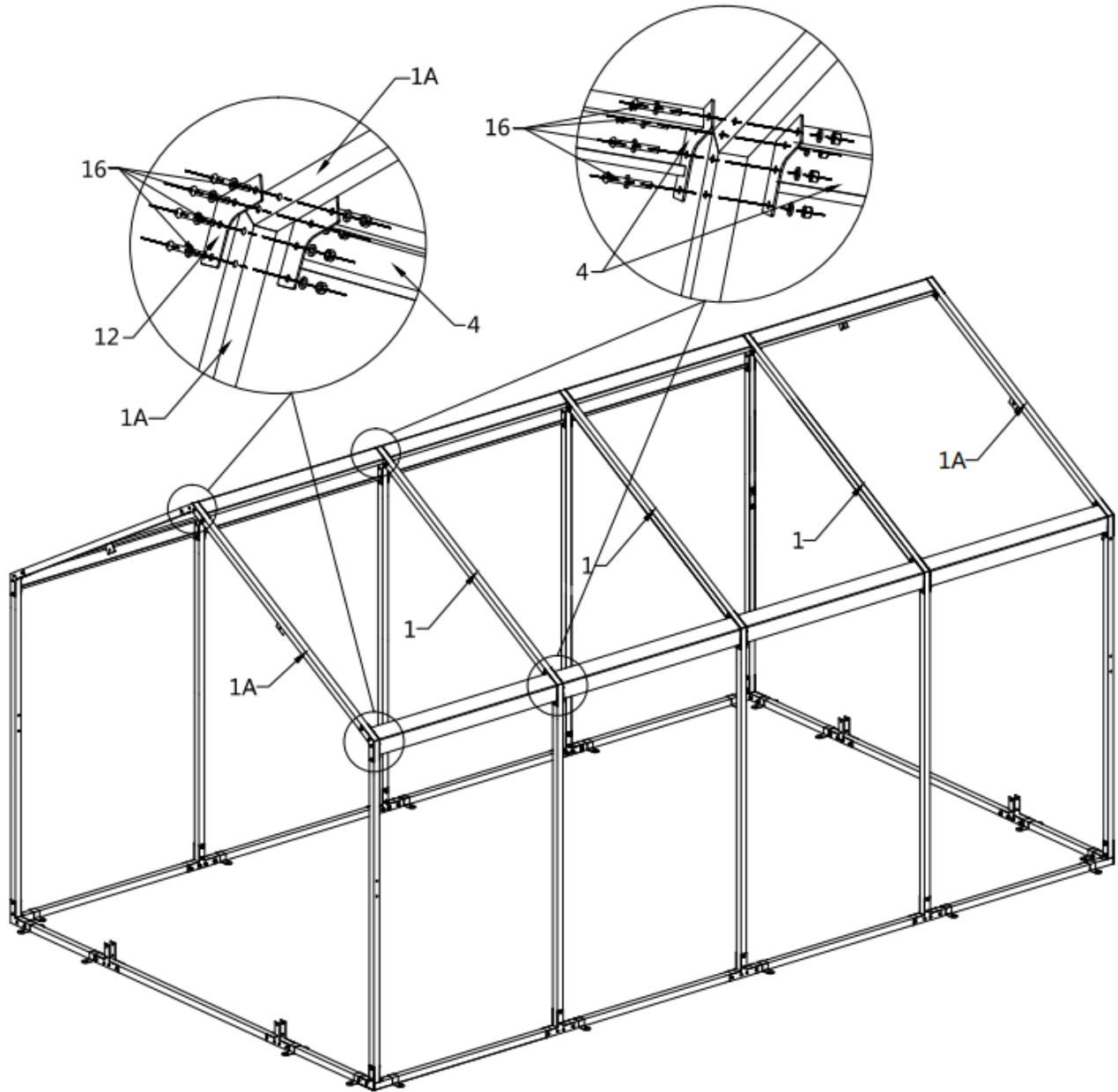
- In this step, do not tighten the screws, and then tighten them when positioning later!







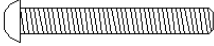
NO.	PART	QTY
2		6
2A		4
16		20

STEP 3 : INSTALL THE UPPER EAVE BEAM PIPE (#1、 #1A) AND CROSS PULL PIPE OF TRUSS(#4).

- In this step, do not tighten the screws, and then tighten them when positioning later!

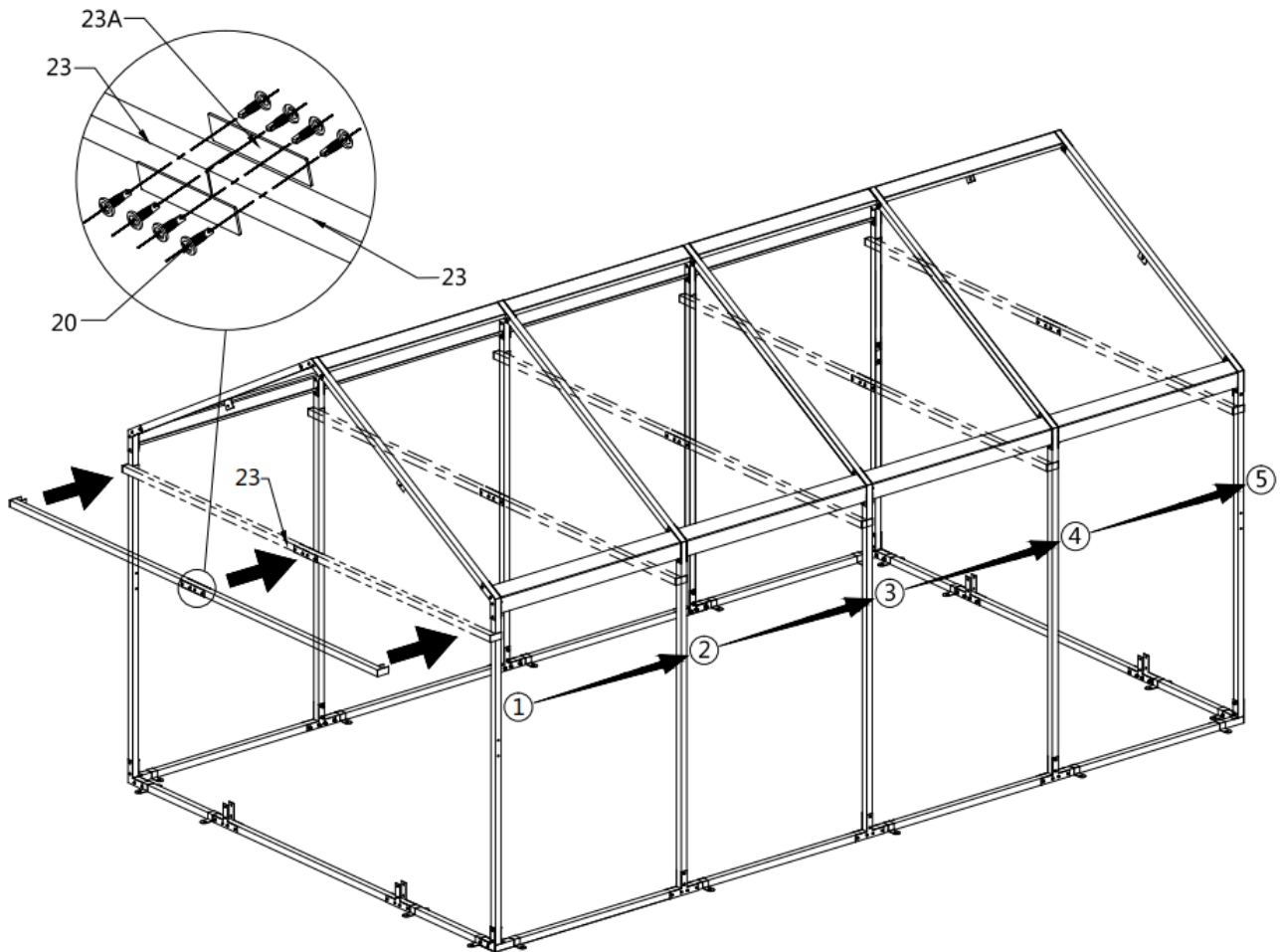





NO.	PART	QTY
1		6
1A		4
4		12

NO.	PART	QTY
12		6
16		60

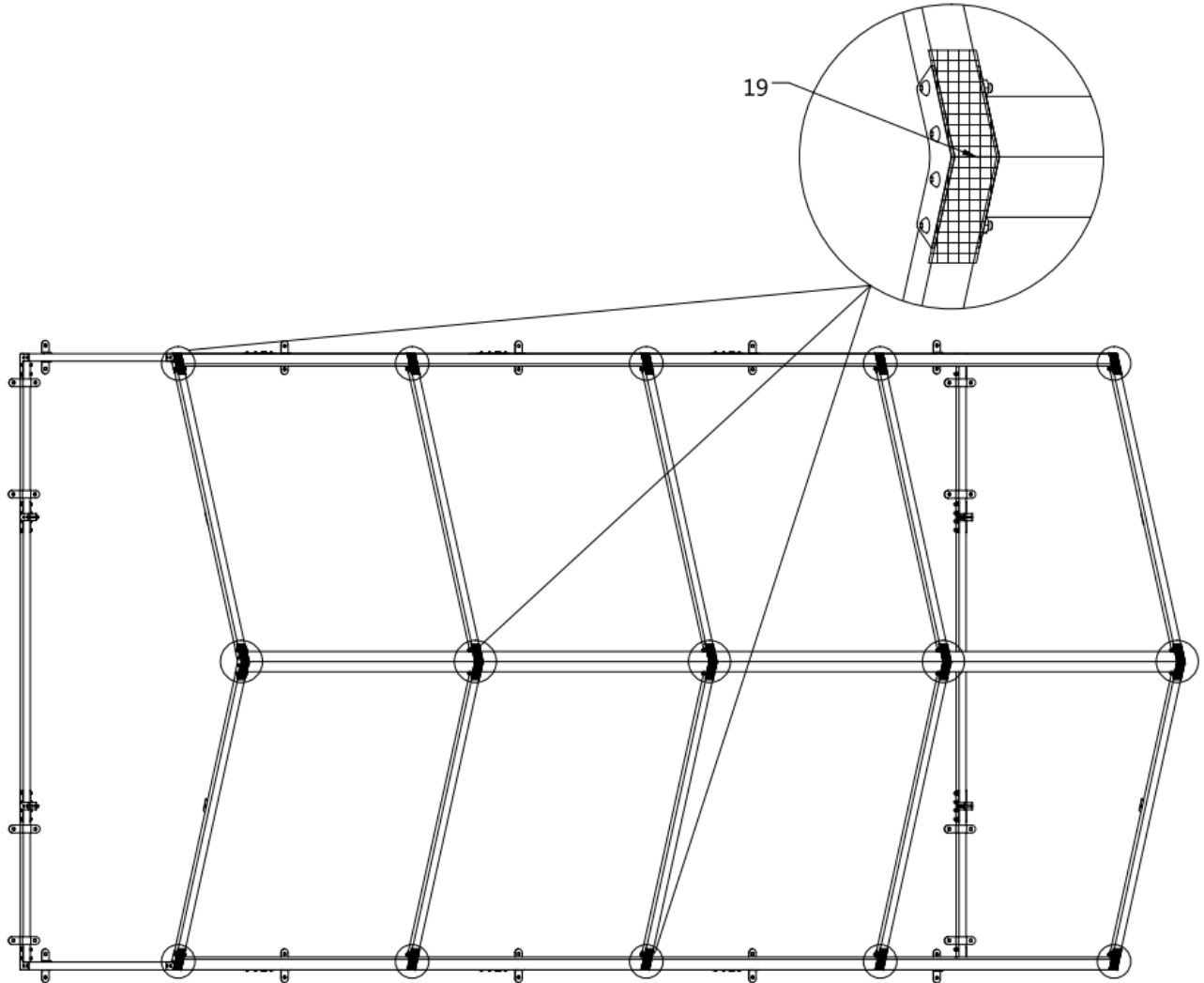
STEP 4 : ASSEMBLE THE LIMIT BAR(#23), AND USE THE LIMIT BAR TO FIX THE TRUSS POSITION AND TIGHTEN THE BOLTS.

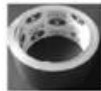
- Assemble the limit rod (#23) with connecting plate (#23A) and self-tapping screw (#20).
- Fix the truss position with the limit bar (#23) in sequence from one to five and tighten the bolts.



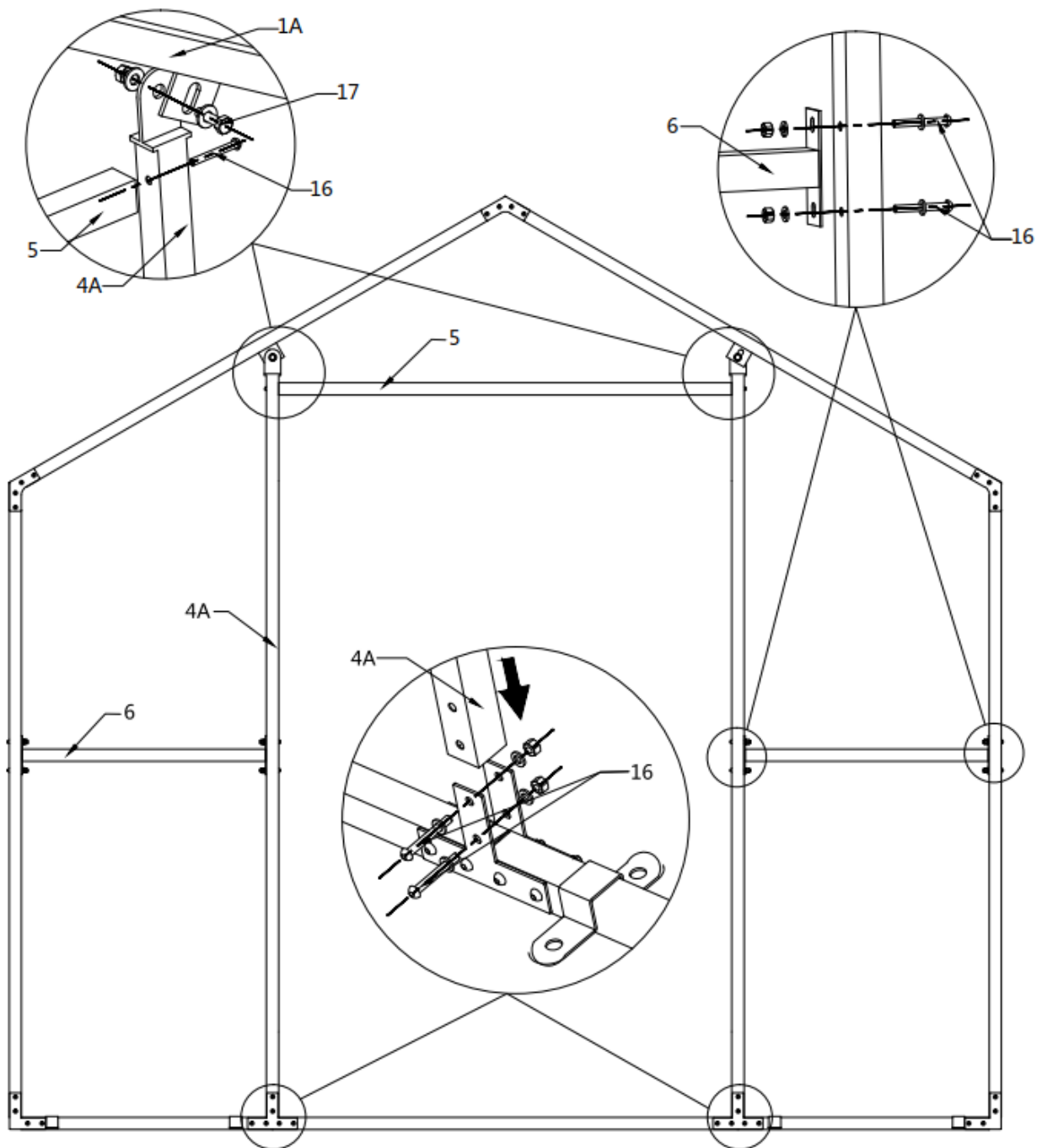
NO.	PART	QTY
20		8
23		2
23A		2

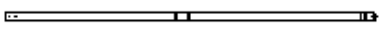

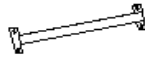
STEP 5 : WRAP (#19) AROUND THE SHARP POINTS OF THE JOINT TO AVOID FRICTION BETWEEN THE FABRIC AND THE INTERFACE.

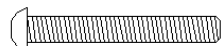
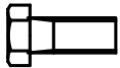


NO.	PART	QTY
19		1

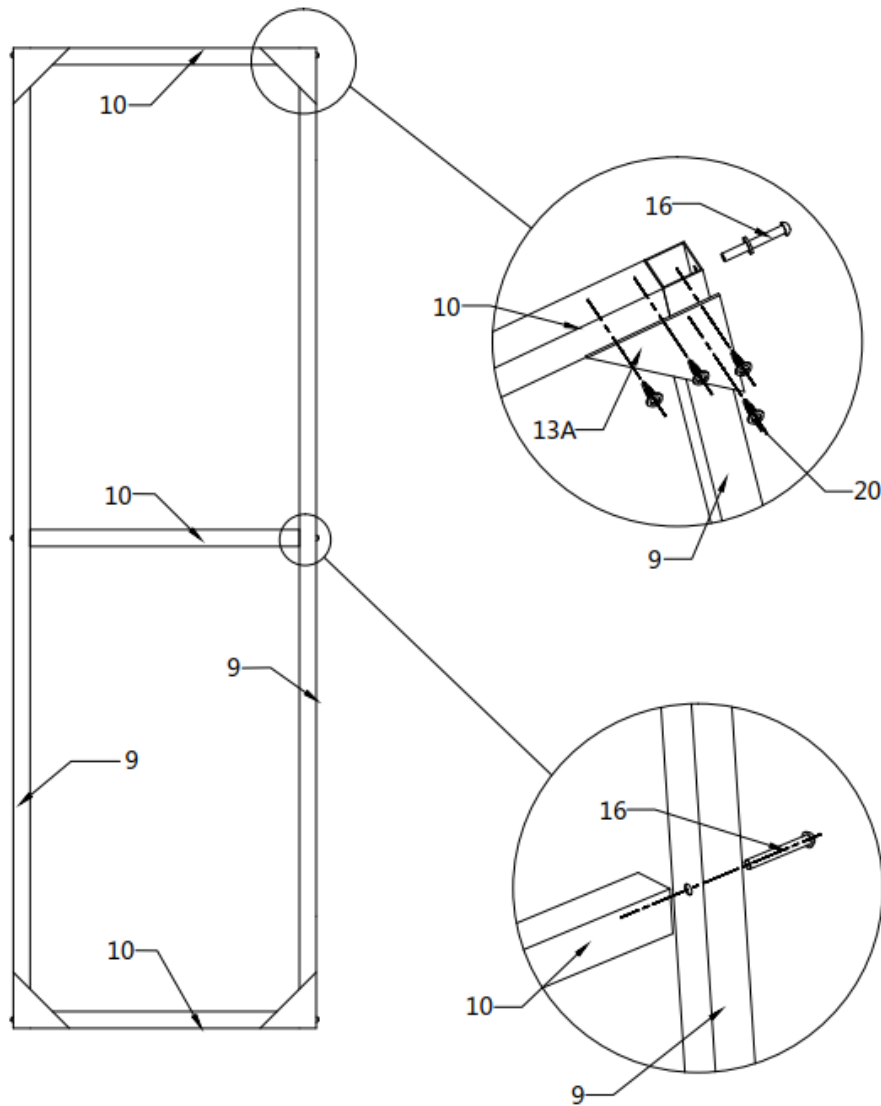
STEP 6 : INSTALL THE FRONT AND REAR TRUSSES.




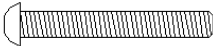



NO.	PART	QTY
4A		2x2
5		1x2
6		2x2

NO.	PART	QTY
16		14x2
17		2x2

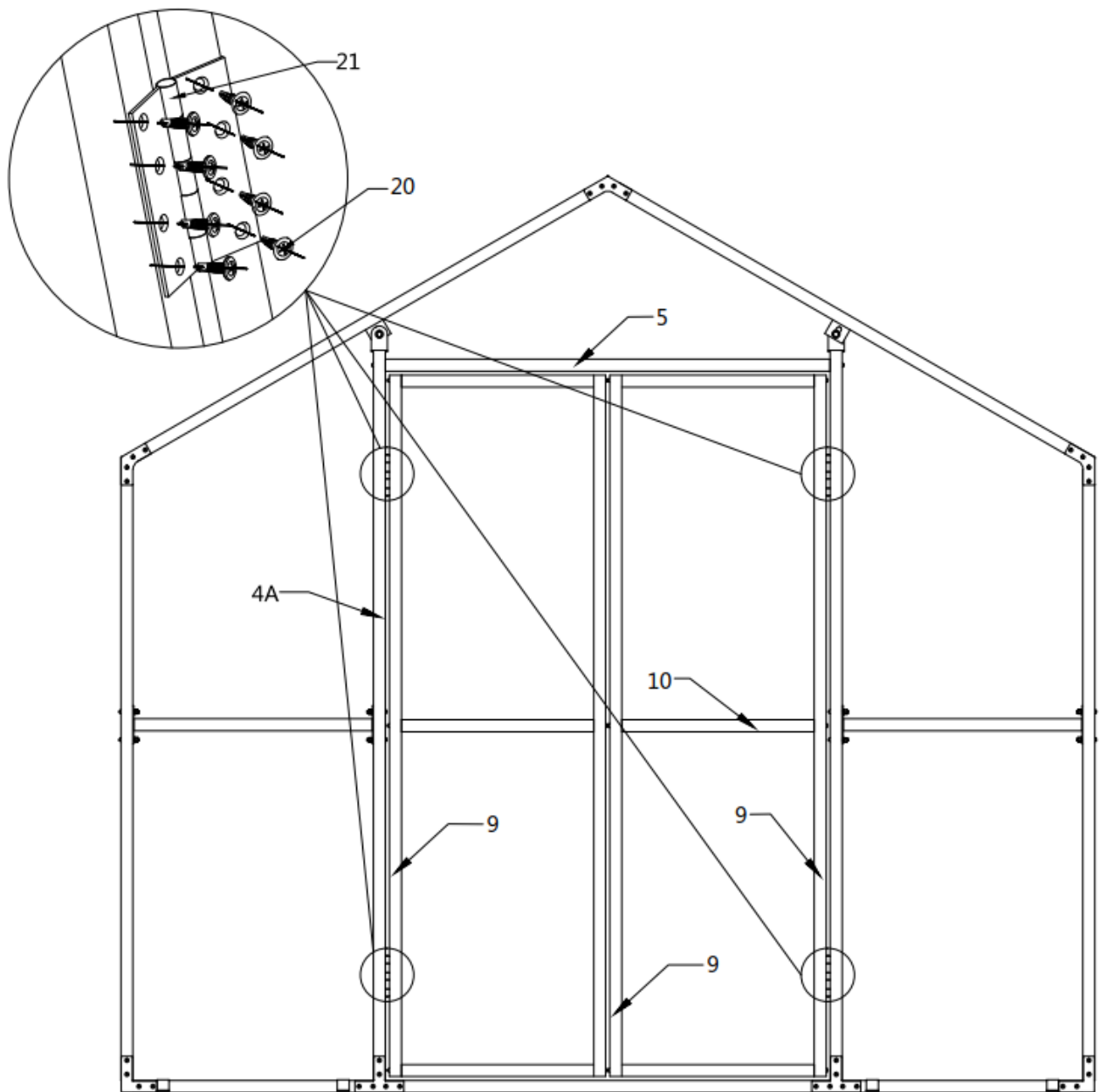
STEP 7 : ASSEMBLE 4 DOOR FRAMES.

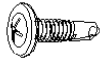



NO.	PART	QTY
9		2x4
10		3x4
13A		4x4
16		6x4
20		16x4

STEP 8 : FRONT AND REAR DOOR INSTALLATION.

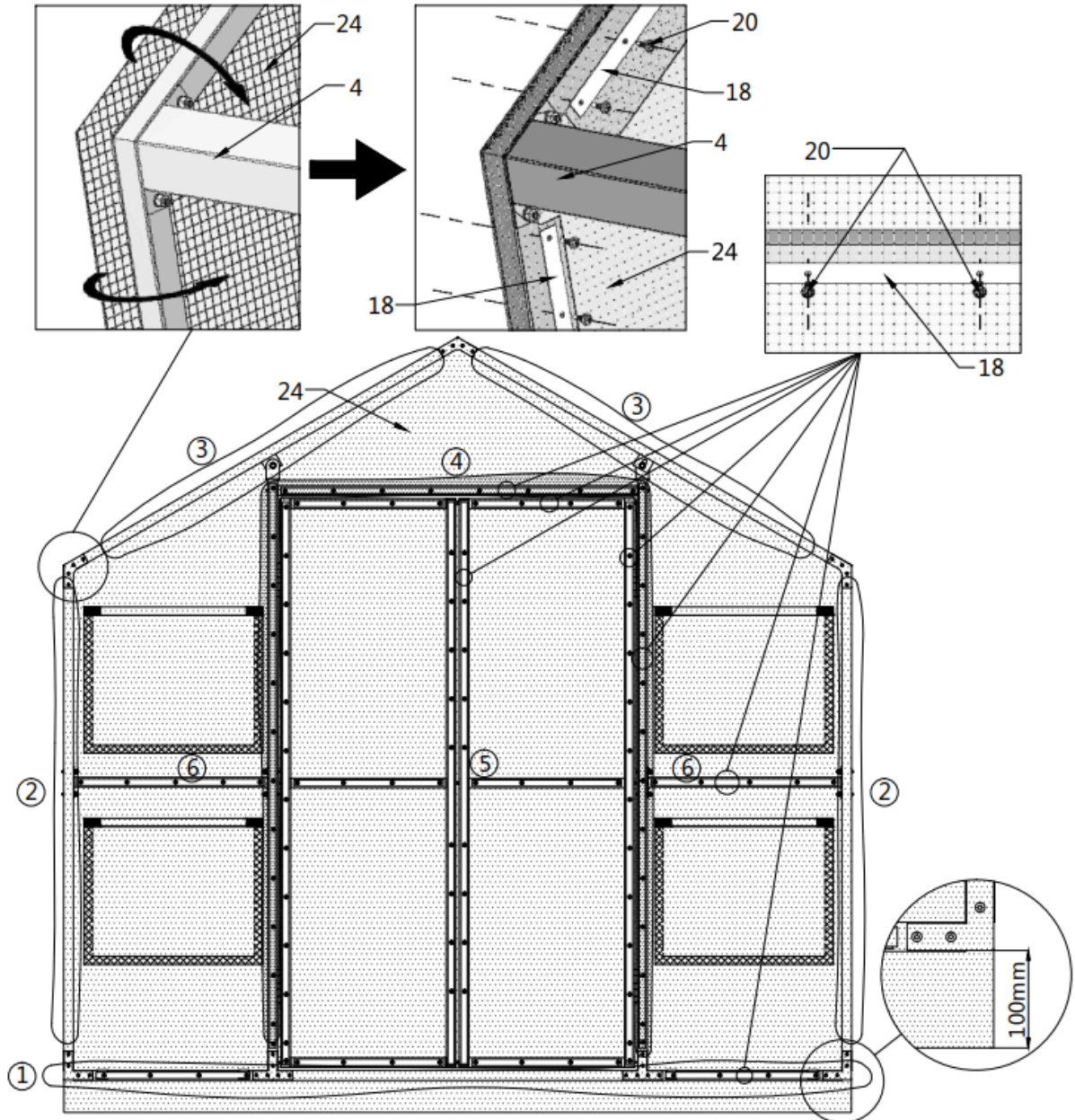
- Pay attention to the outward opening of the door during installation!


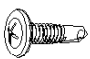


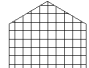
NO.	PART	QTY
20		32x2
21		4x2

STEP 9 : INSTALL FRONT AND REAR COVER PANEL.

- Trim the length of compression band (#18) according to the site requirements.
- According to the sequence of steps, use the compression belt (#18) to fix the cover plate from ① to ⑥, first fix the edge of the cover plate from the bottom to the top, and then gradually fix it inside. Extend 100mm from the bottom.
- In ② and ③, the cover plate needs to be folded inside the truss for tension and fixed with compression band (#18).

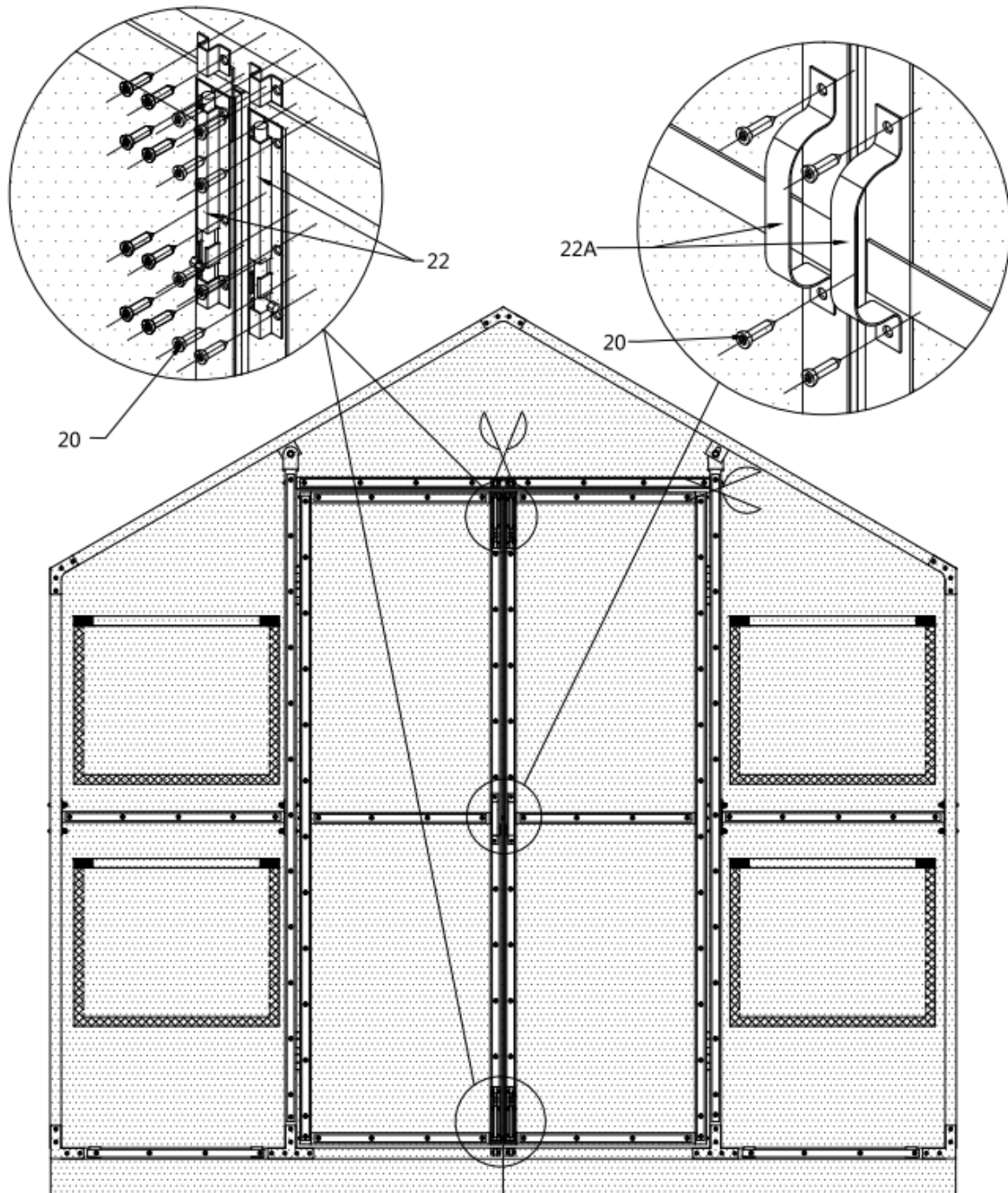




NO.	PART	QTY
18		13x2
20		221x2


NO.	PART	QTY
24		1x2

STEP 10 : INSTALL THE DOOR HANDLE AND DOOR LATCH.

- Cut the door film as shown.



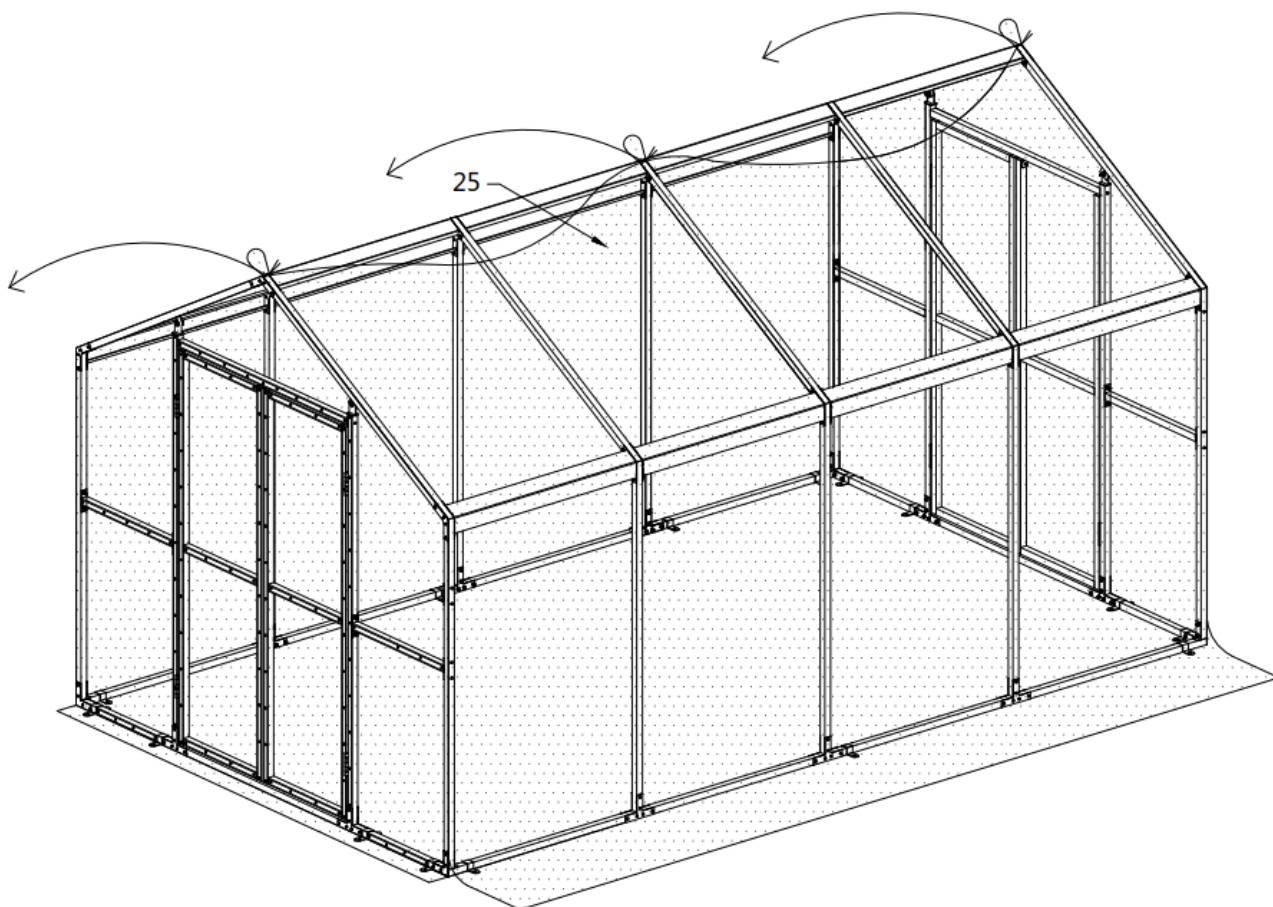
NO.	PART	QTY
22		4x2
22A		2x2

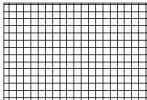
NO.	PART	QTY
20		36x2

STEP 11 : INSTALL THE TOP COVER (#25).

DO NOT INSTALL THE COVER DURING WINDY WEATHER!

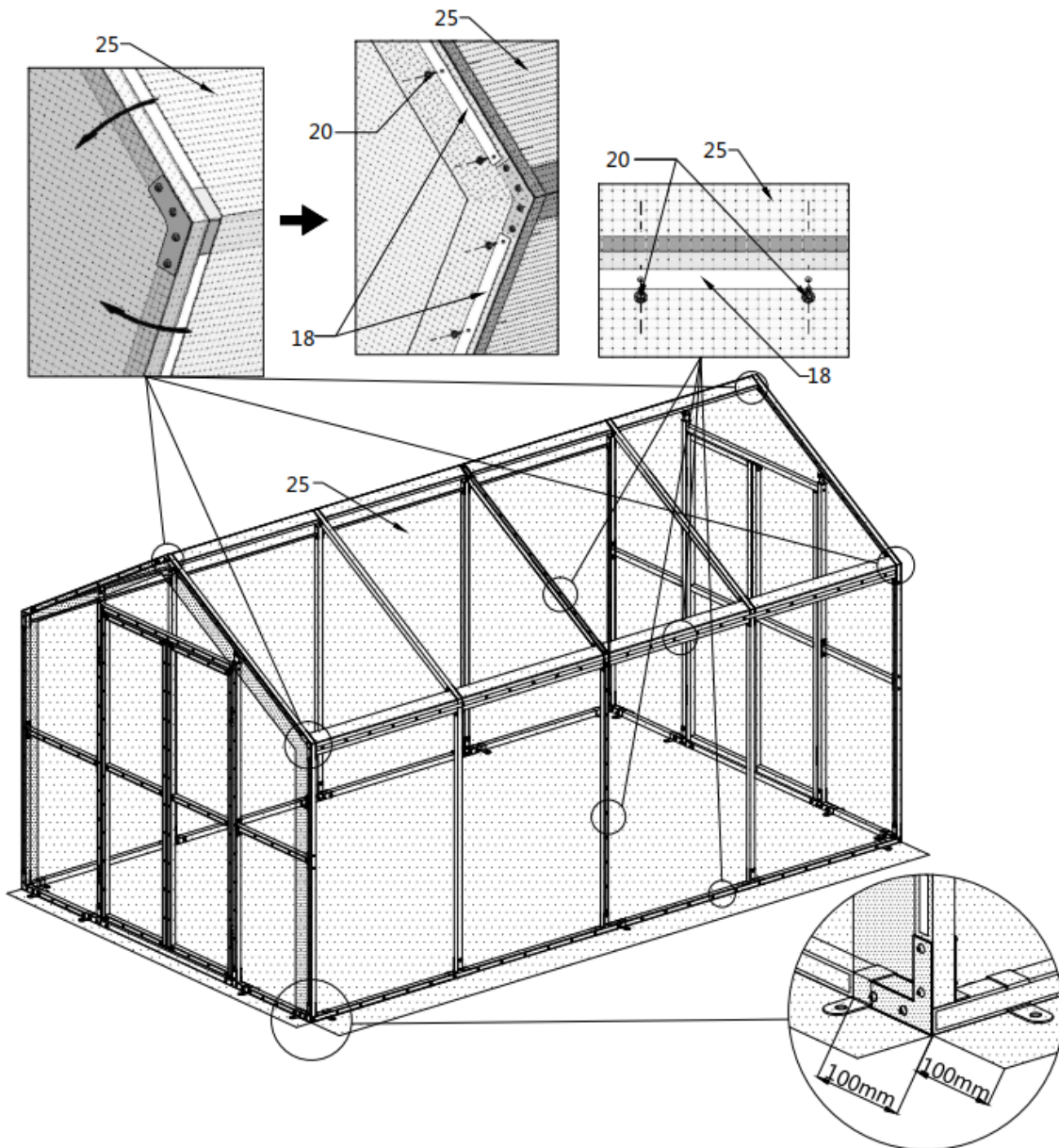
- Stretch and adjust the cover from back and forth, to make sure it is square and centered.
- Unpack the top cover and place it along one of the long sides of the structure.
- Pushing up from the inside with 2 or 3 people standing on the ladder will help move the cover without causing any damage.


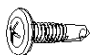


NO.	PART	QTY
25		1

STEP 12 : TIGHTEN AND FIX THE TOP CLOTH.

- The Compression strip (#18) at the front and rear stops are nailed to the front of the front and rear crotch cloth. The spacing of each self Cross round head drill tail tapping screw shall be kept within 150mm.
- Nail a circle of Compression strip (#18) on the third truss.
- Nail two rows of Compression strip (#18) on the left and right.
- Trim the edge of the roof cloth, and it is recommended to leave at least 100mm.



NO.	PART	QTY
18		20
20		340

AFTER THE INSTALLATION

Walk around and inspect the shelter periodically to make sure all components are still firmly secured and the whole shelter is well supported. Check all bolts and nuts as well as all connection points to make sure they are all in good position.

Snow accumulating on the fabric cover must be removed as soon as possible. If snow becomes solid ice on the cover, it will increase the weight on the roof and may collapse the shelter or reduce the life span.

Keep the shelter on a dry ground most of the time. Do not keep the fabric dirt skirt under water all the time, otherwise the fabric will deteriorate.

We strongly recommend you remove any snow from the roof immediately. Do not leave any snow load on the roof overnight. Keep 3 feet of clearance on all sides at all times. Do not allow snow to accumulate and pile up on the sides of the building. Otherwise the pressure from the sides will push inwards and could lead to a collapse.