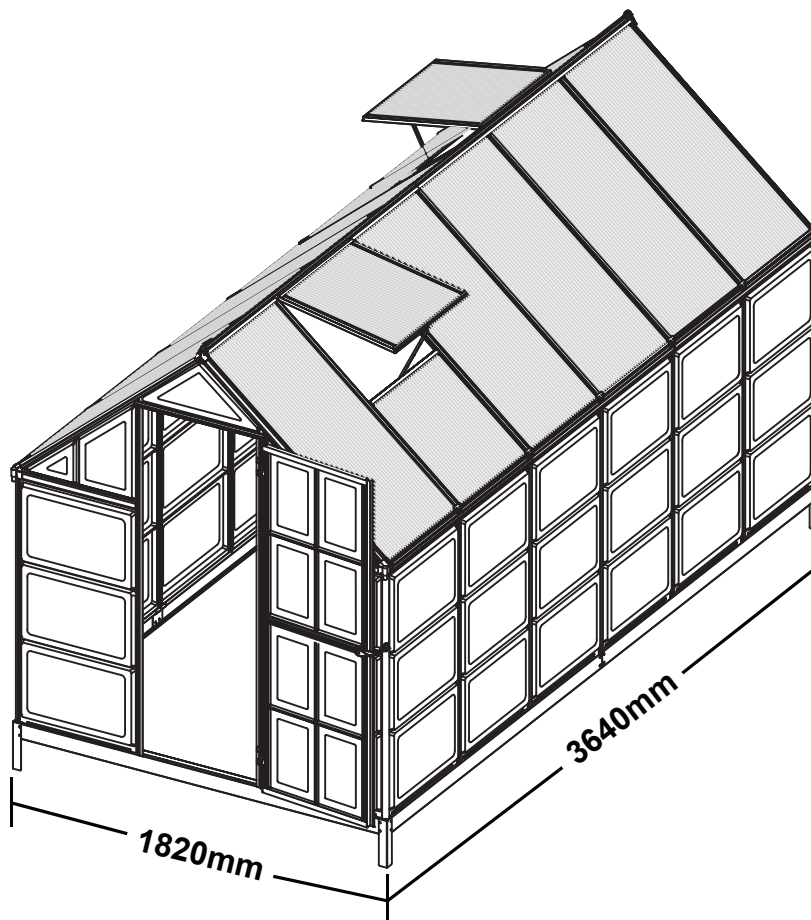


6' x 12' CRYSTAL CLEAR GREENHOUSE



⚠ WARNING



- Please read and understand the product manual completely before assembly
- Check against the parts list to make sure all parts are received
- Wear proper safety goggles or other protective gears while in assembly
- Do not return the product to dealer. They are not equipped to handle your requests.

Missing parts or have questions on assembly?

Please call: 1-877-761-2819 or email: cs@tmgindustrial.com

SAFETY ADVICE

We strongly recommend the use of work gloves during assembly.

Do not attempt to assemble the aluminum greenhouse in windy or wet conditions.

Do not touch overhead power cables with the aluminum profiles.

Always wear shoes and safety goggles when working with extruded aluminum.

Dispose of all plastic bags safely-keep them out of reach of small children.

The aluminum greenhouse must be positioned and fixed on a flat level surface.

Do not lean against or push the aluminum greenhouse during construction.

Keep children away from the assemble area.

Do not position your aluminum greenhouse in an area exposed to excessive wind.

Do not attempt to assemble this aluminum greenhouse if you are tired ,have taken drugs or alcohol or if you are prone to dizzy spells.

If using a step ladder or power tools ensure that you follow the manufacturer's safety advice.

Hot items such as recently used grills, blowtorches etc.must not be stored in the aluminum carport.

Ensure there are no hidden pipes or cables in the ground before inserting the pegs.

GENERAL ADVICE

This is a multi-part assembly, Allow at least 3 hours to assemble this product for 3 people.

Selecting a site-choose a sunny level position away from overhanging trees.

If you are fixing your aluminum greenhouse directly to a solid concrete foundation use the predrilled holes in the metal base supplied.

The component parts should be checked and laid out close to hand.

Keep all small parts(screws etc)in a bowl so they do not get lost.

Keep roof clear from snow and leaves.

CARE & MAINTENANCE

When your aluminum greenhouse needs cleaning, use a mild detergent solution and risen with cool clean water.

Do NOT use acetone, abrasive cleaners or other special detergents to clean the clear panels.

TOOLS & EQUIPMENT REQUIRED

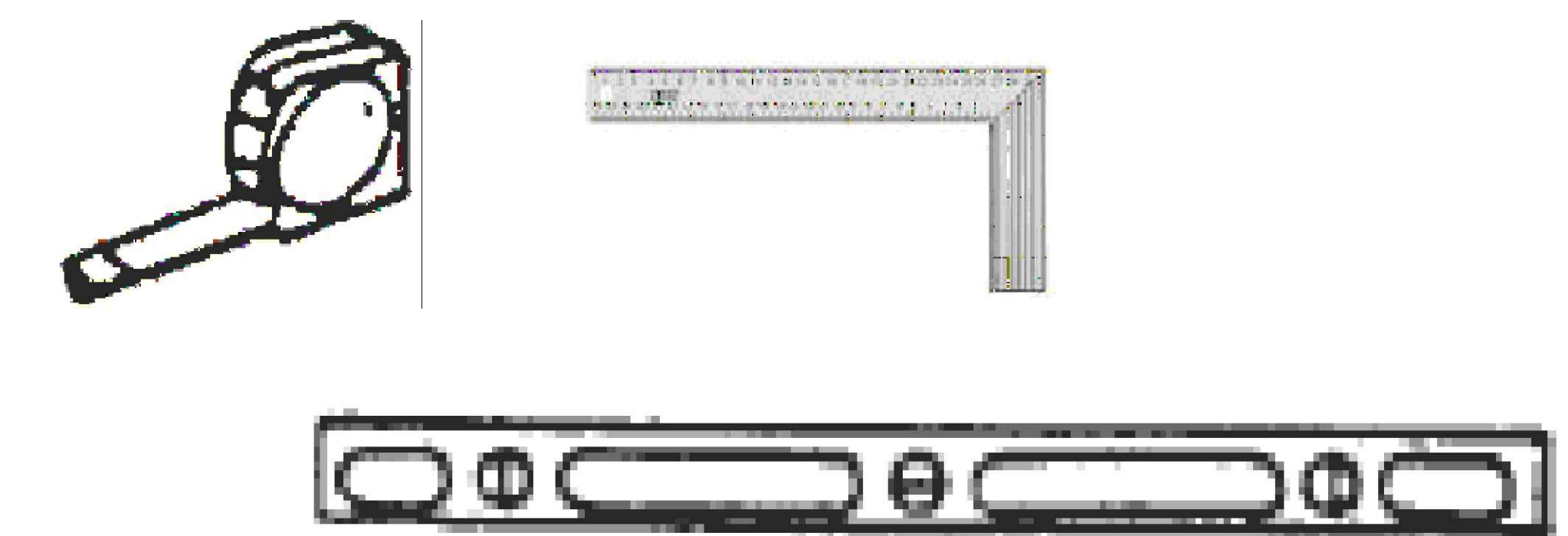
Protective Equipment:

- 1.Helmet
- 2.Glove
- 3.Long Sleeve Cotton Overalls
- 4.Emergency Medicine Cabinet
- 5.Eye Shield



Measure (metric):

- 1.The Tape (5 m)
- 2.Angle Square
- 3.Level Meter



Installation Tool:

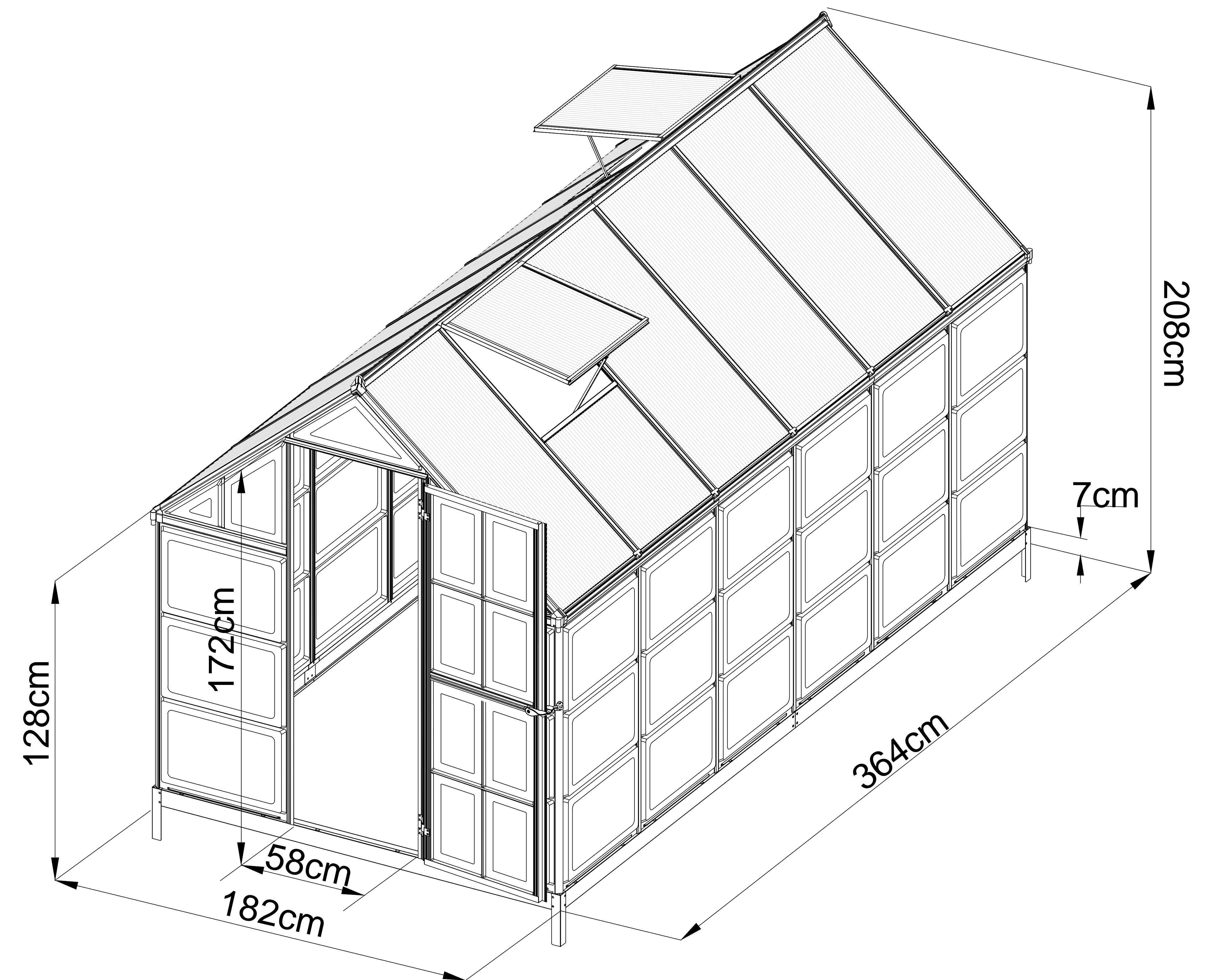
- 1.Triangle Stairs≈1.5m Height
- 2.Spanner 10mm (Ratchet Wrench is better)
- 3.Spanner 14mm (Install the expansion screw)
- 4.Hexagon wrench 5mm
- 5.Electric screwdriver+5mm Hexagon wrench (suggest)
- 6.Wooden Mallet
- 7.Marking Pen
- 8.Silicon
- 9.Percussion bit(8mm and 10mm)
- 10.Knife
- 11.Phillips screwdriver



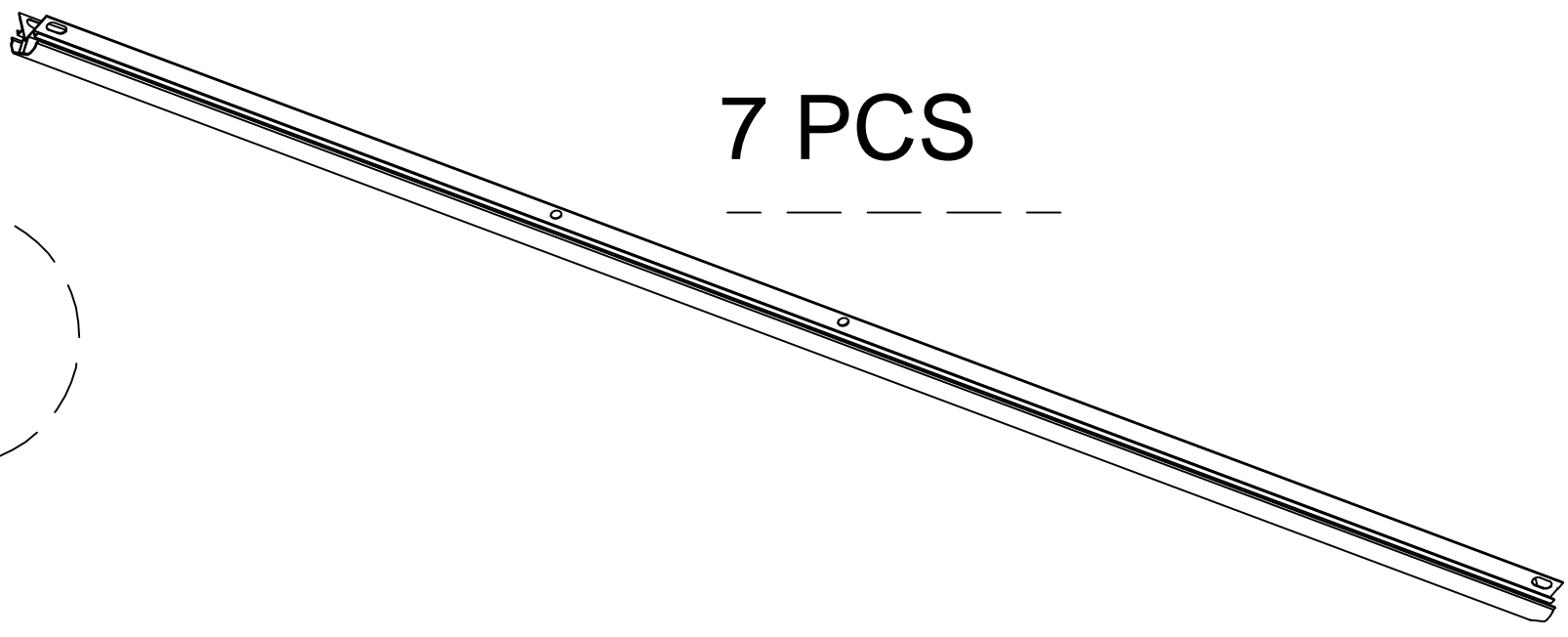
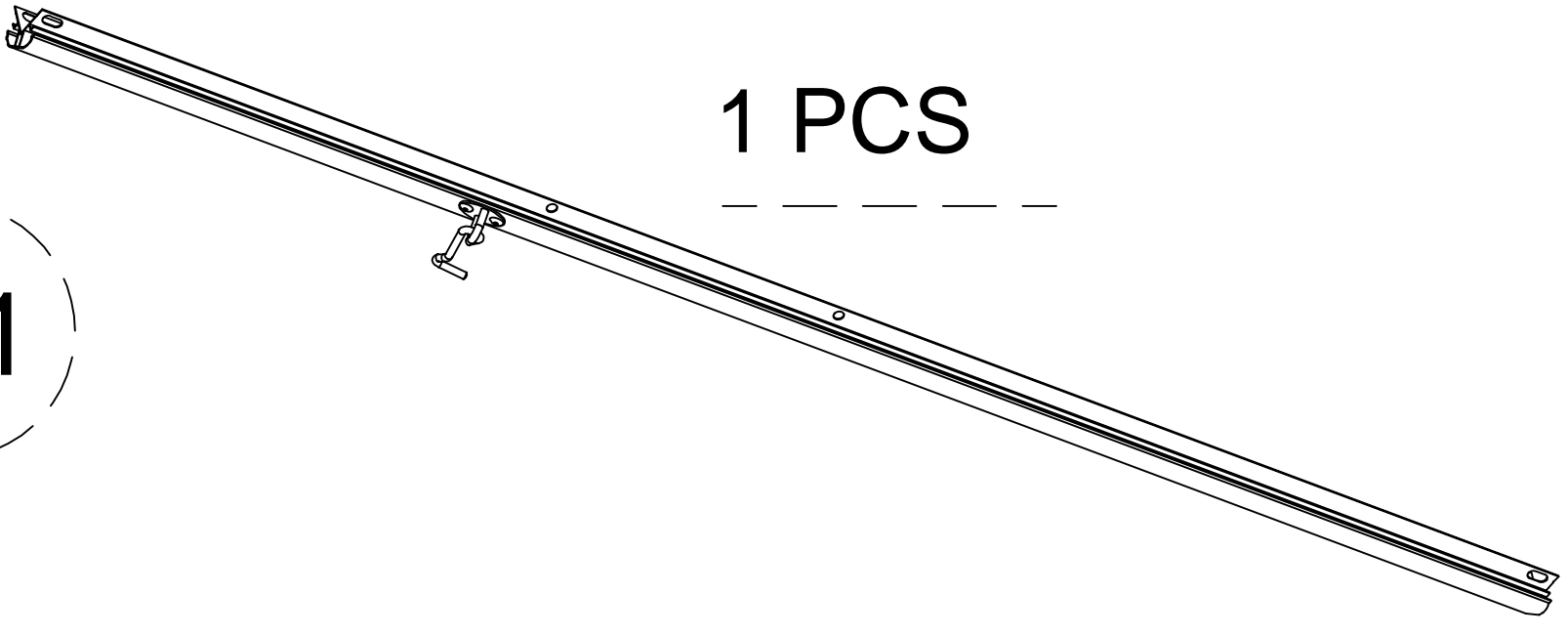
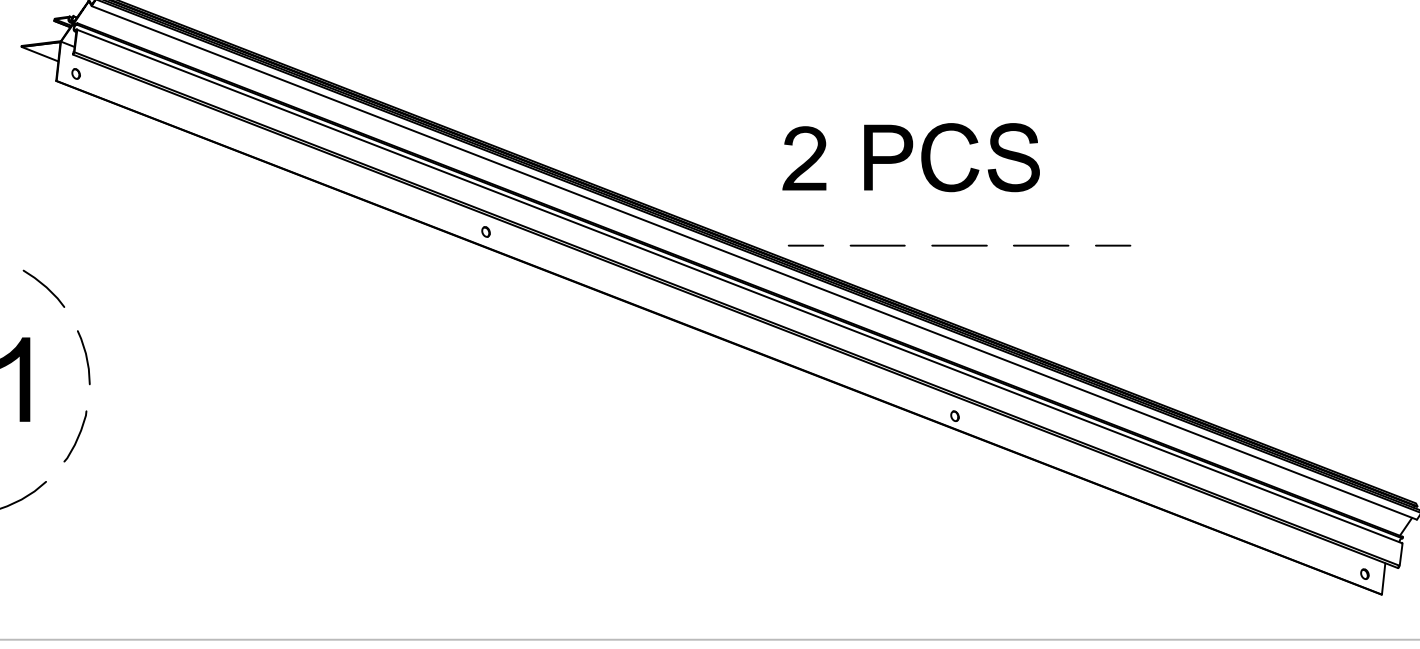
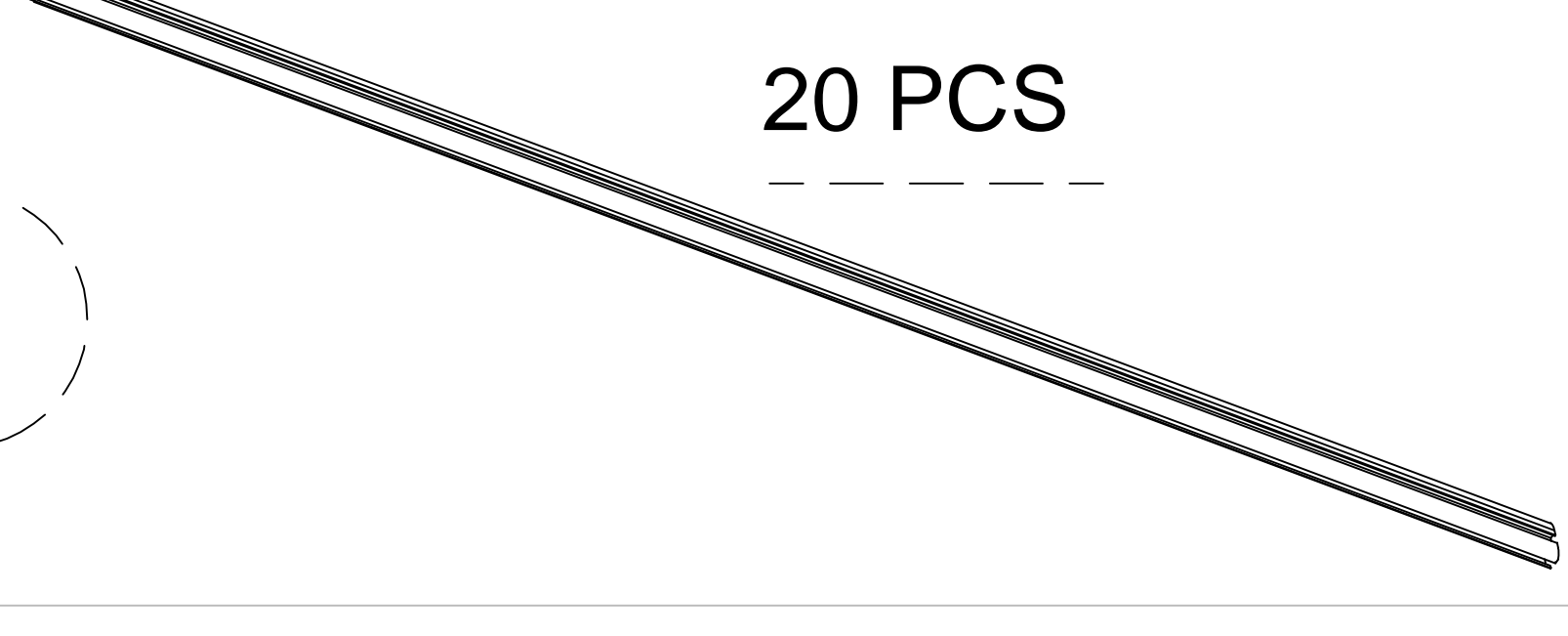
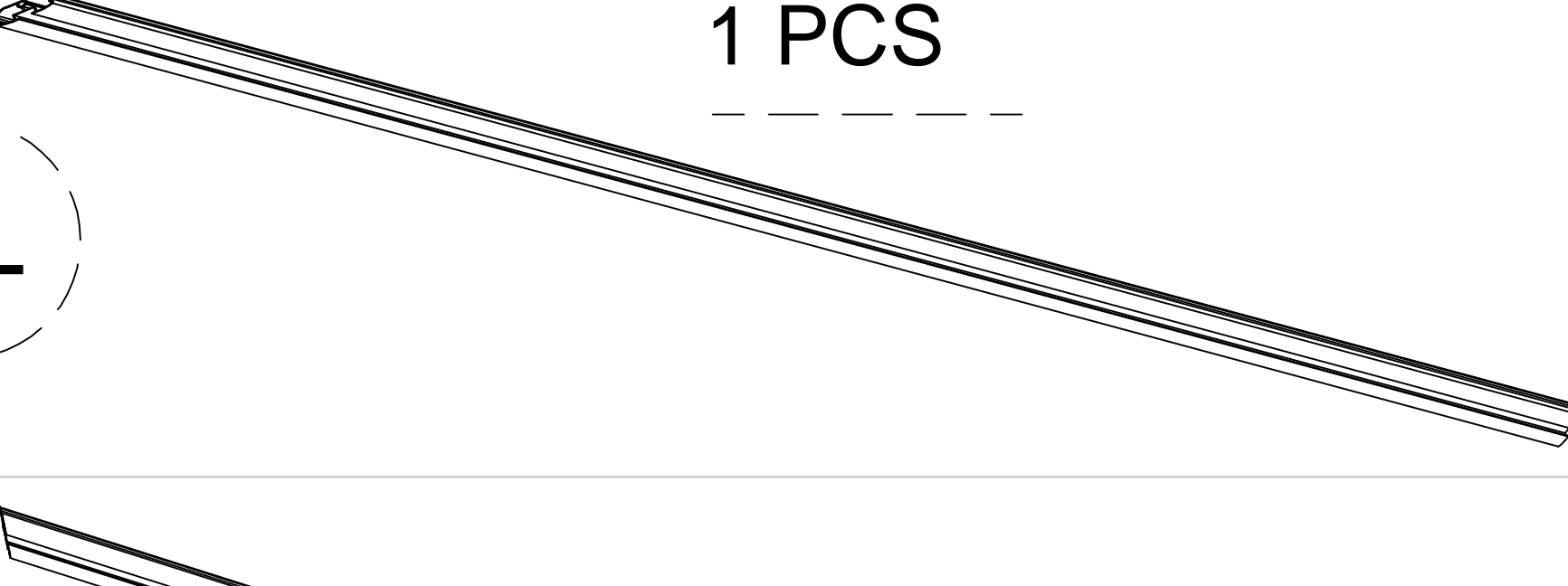
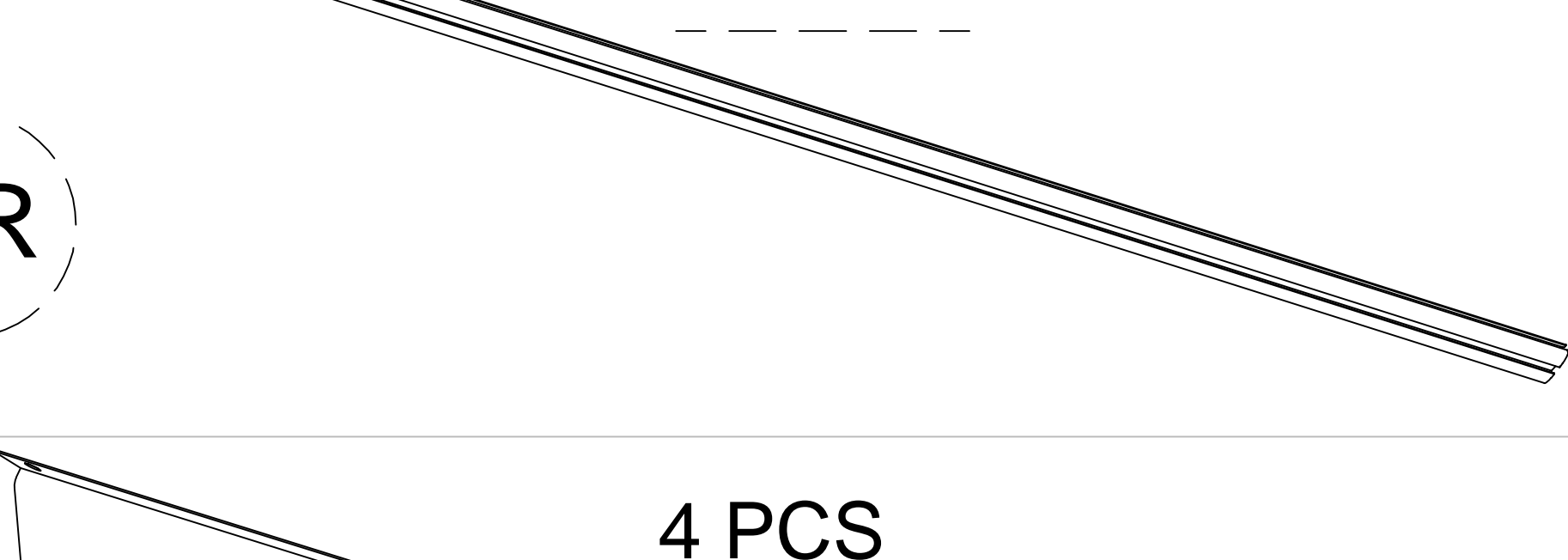
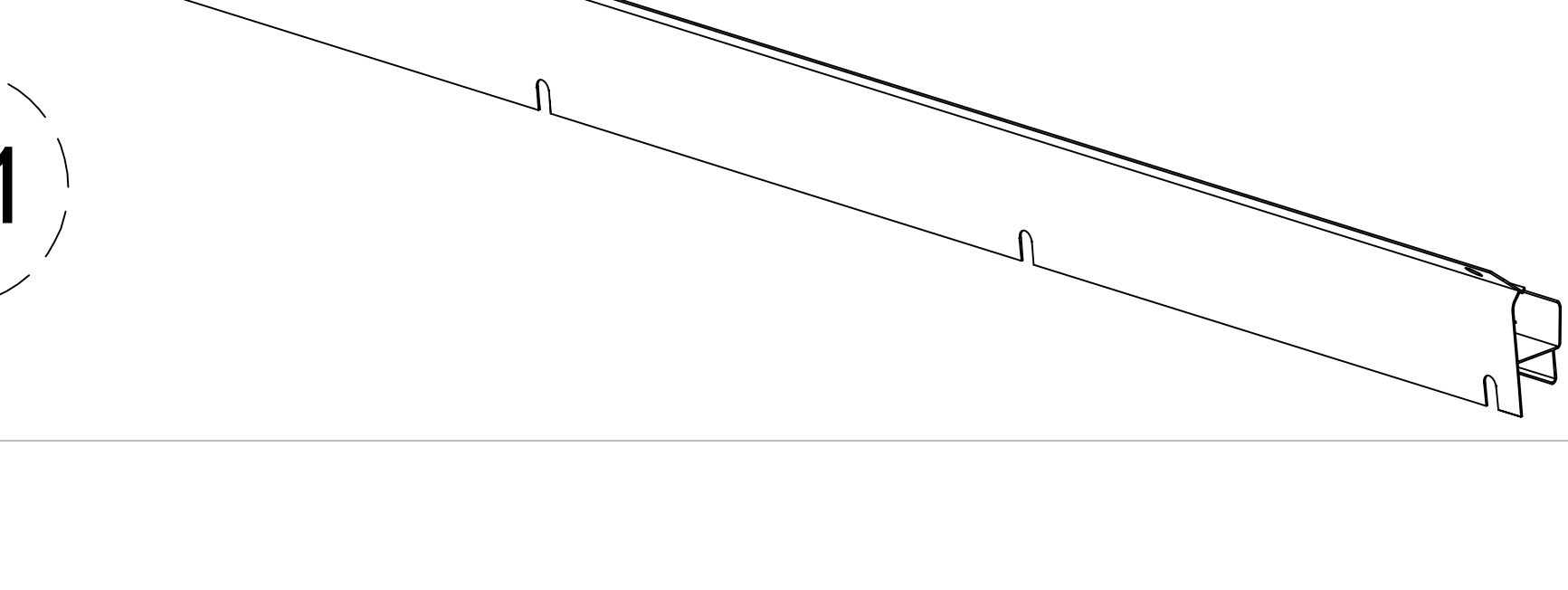
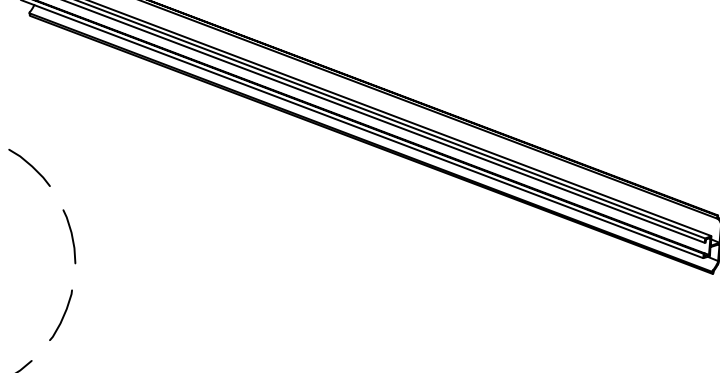
OTHER CAUTIONS

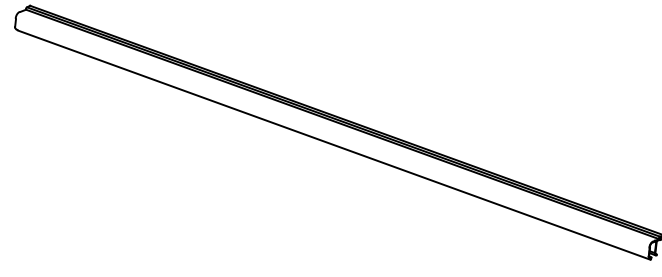
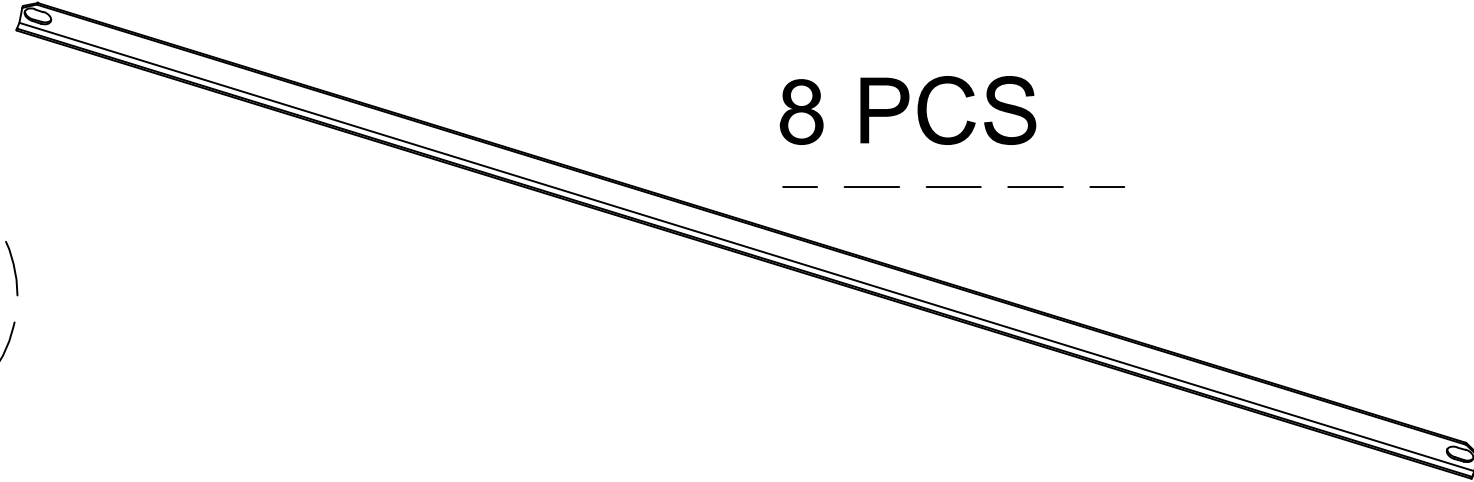
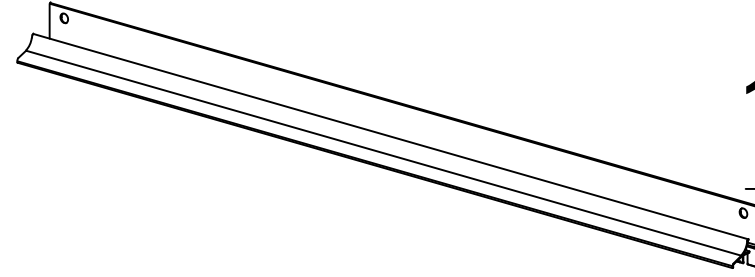
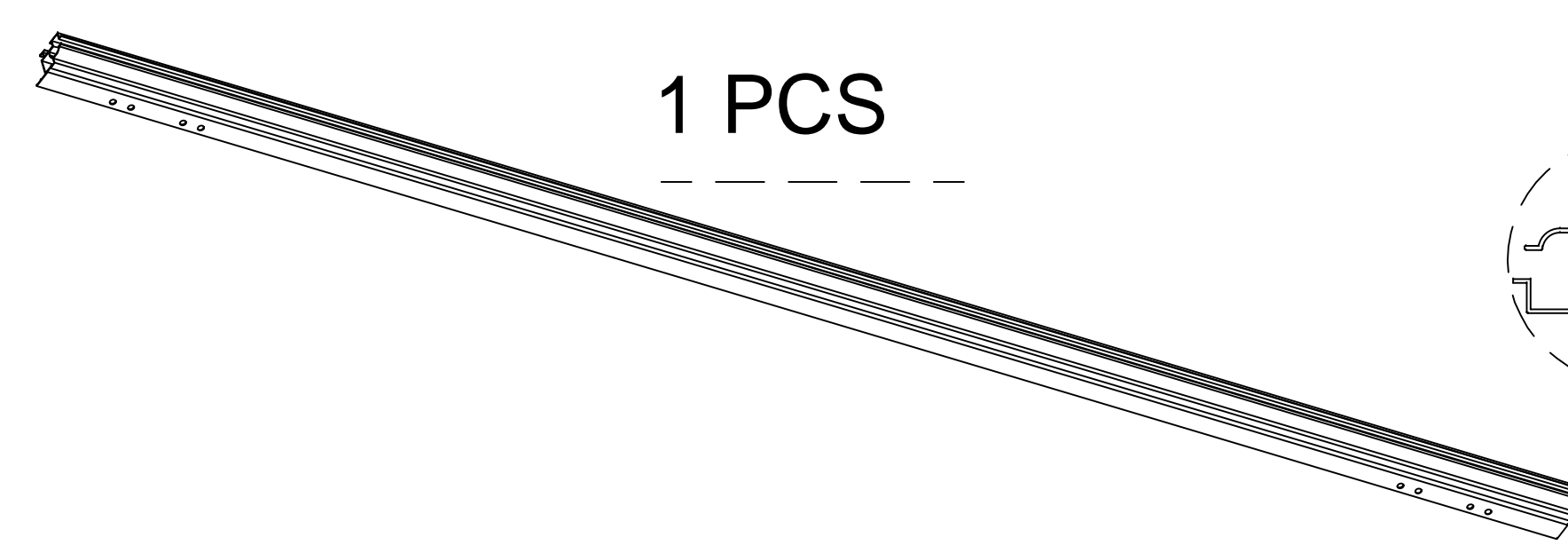
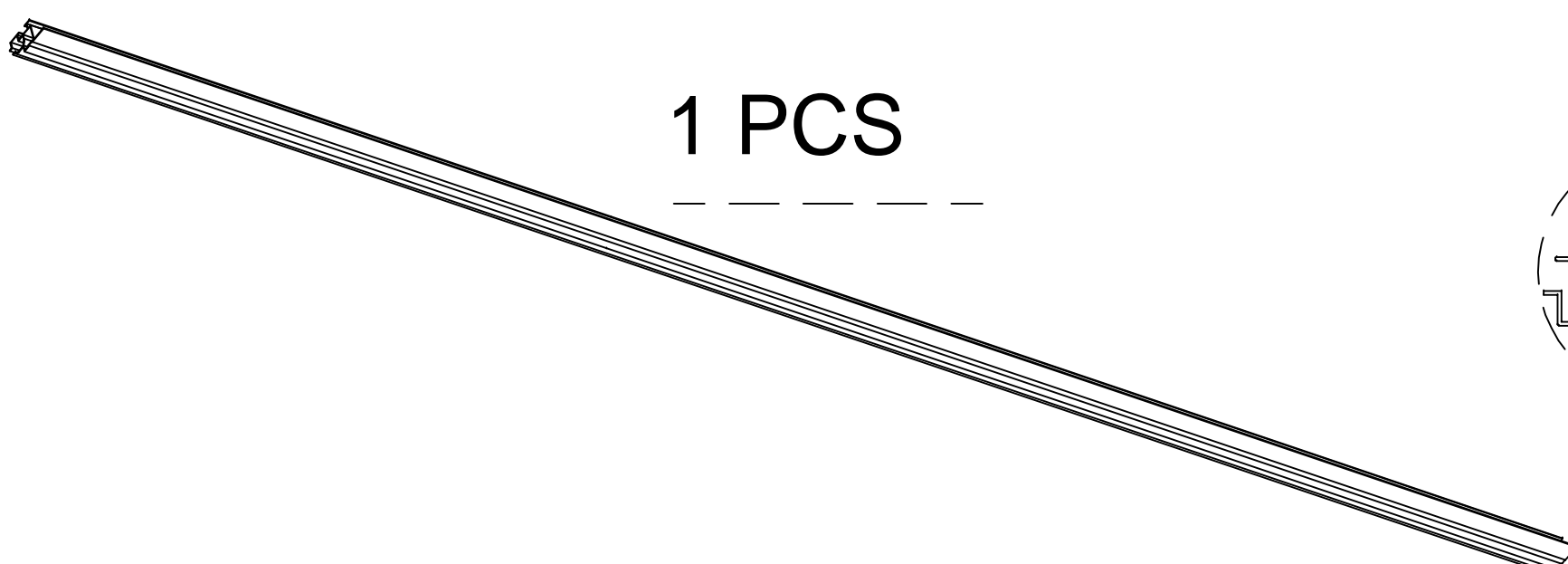
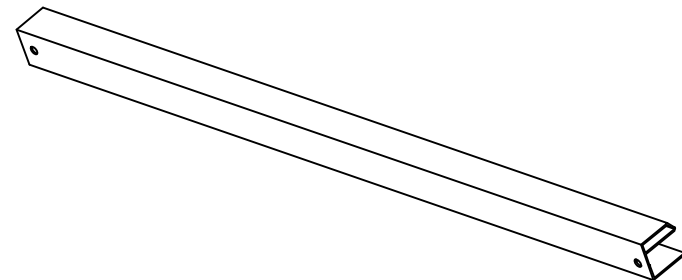
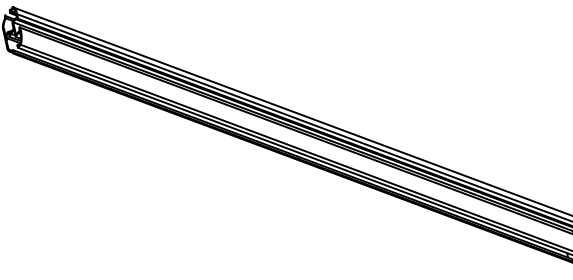
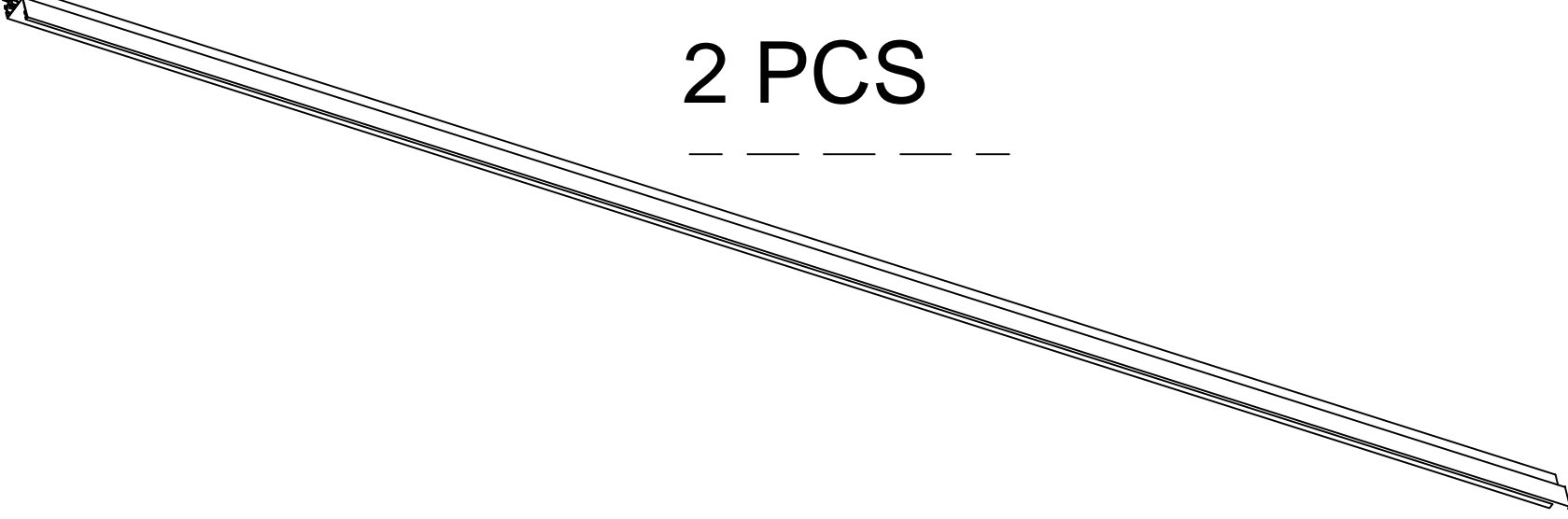
1. 3 people required, one is for measuring & taking marks to ensure the installation dimension, the second person is responsible for the installation and the last one do as assistant and assure the safety.
2. Firstly, make sure the green house is strong enough for installation.
A brick concrete structures is the best choice.
3. High-power electric tools are required, ensure the normal work of them and highly pay attention to electric safety.
4. Be careful when using the kind of blunt tools, like hammer.
5. Wearing long sleeve cotton overalls,gloves and helmet during installation and wear safety glasses when using power tools .
6. Don't look up when working in high position, or the drop screws may hurt your eyes and suffocation causing accidentally when falling into your mouth.
7. No climbing, No standing on the greenhouse to avoid falling down.
8. If injured, please push him/her to a nearby hospital.

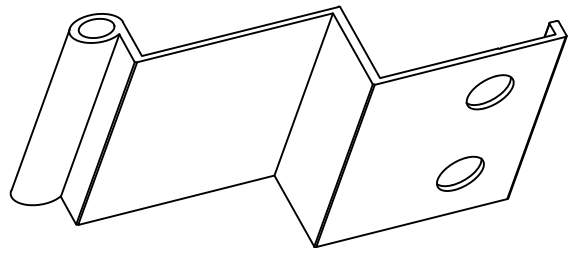
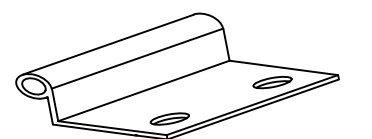
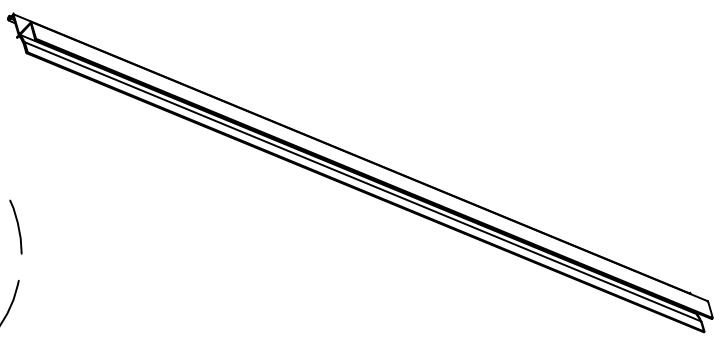
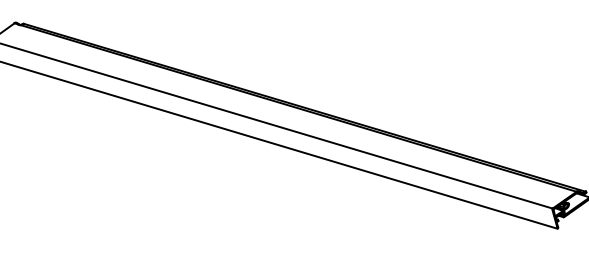
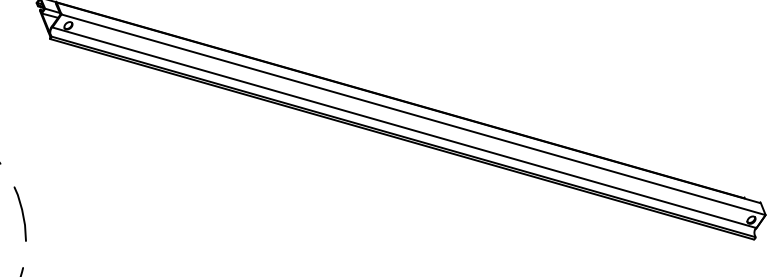
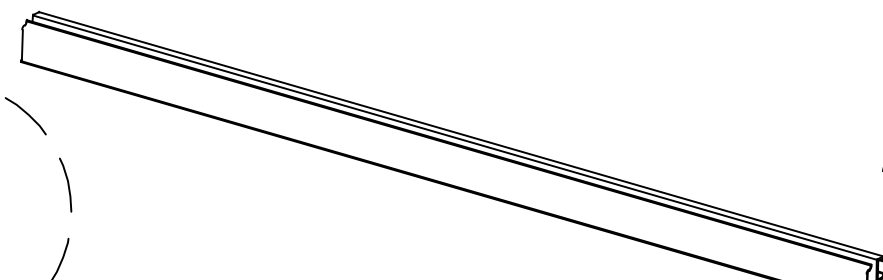
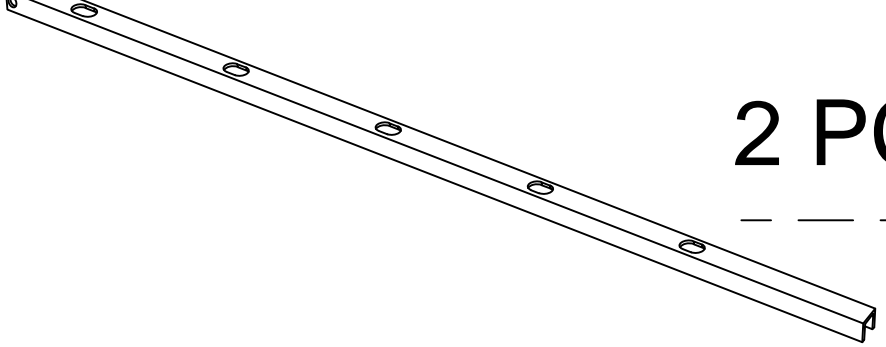
PRODUCT SIZE



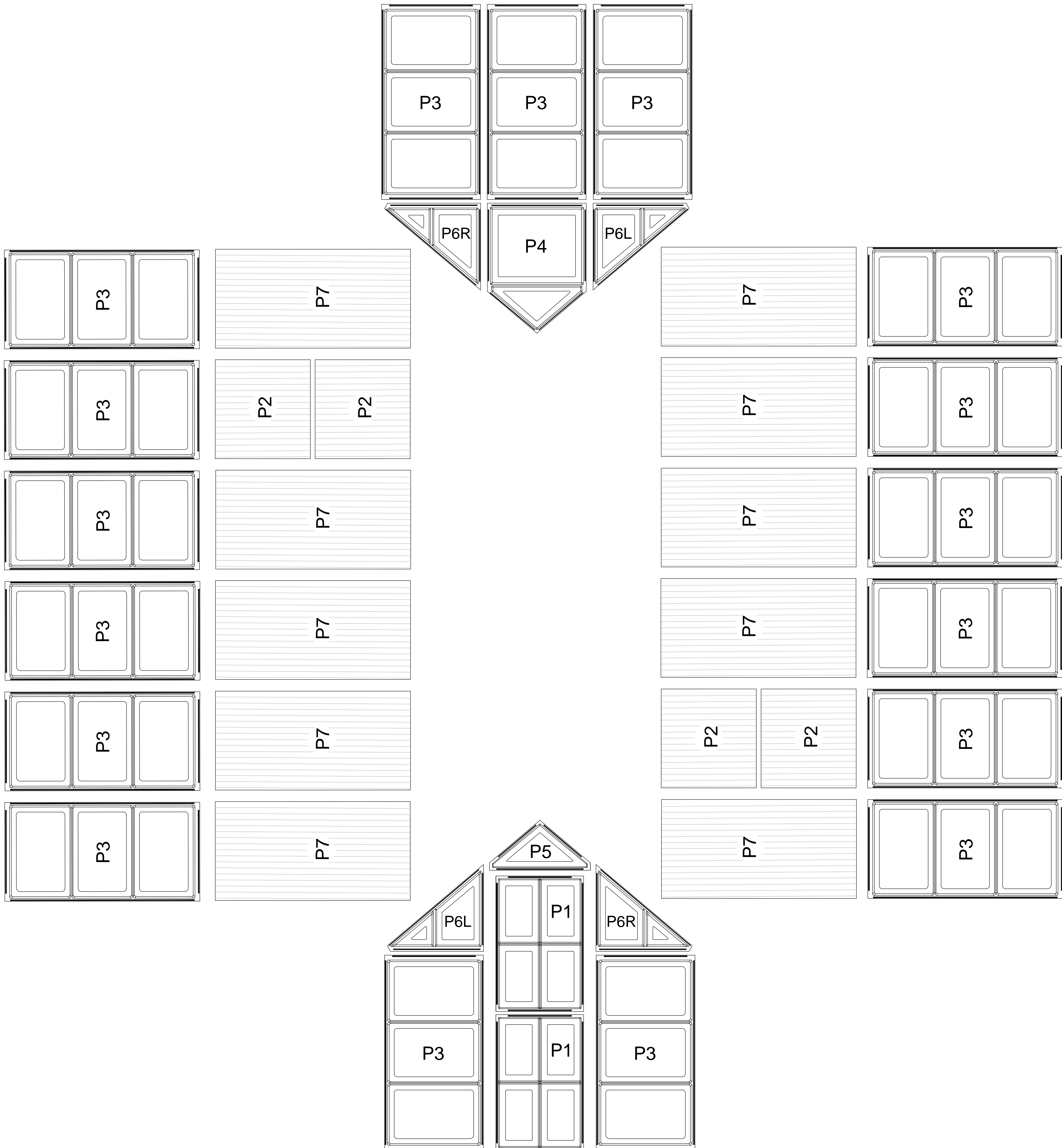
Contents

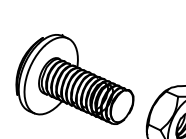
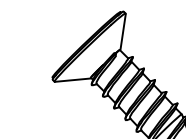
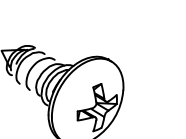
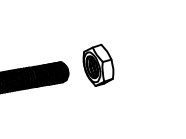
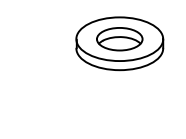
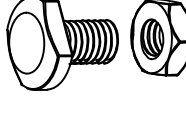
Item	Qty	MM
	7 PCS	1170
	1 PCS	1170
	2 PCS	1788
	20 PCS	1170
	1 PCS	1700
	1 PCS	1700
	4 PCS	1788
	5 PCS	560

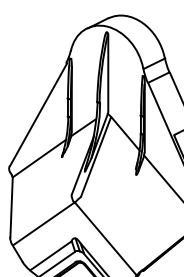
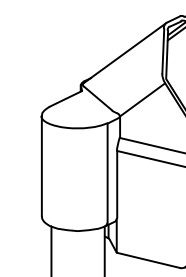
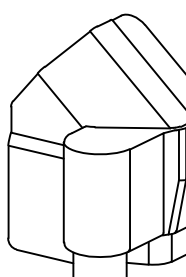
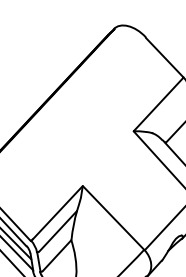
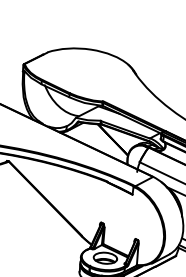
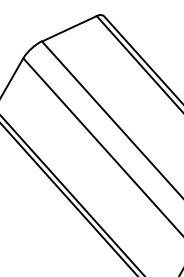
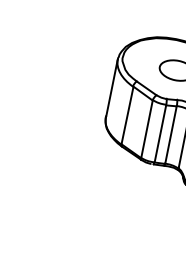
Item	Qty	MM
	12 PCS	560
	8 PCS	1300
	1 PCS	628
	1 PCS	1665
	1 PCS	1665
	2 PCS	548
	1 PCS	475
	2 PCS	1641

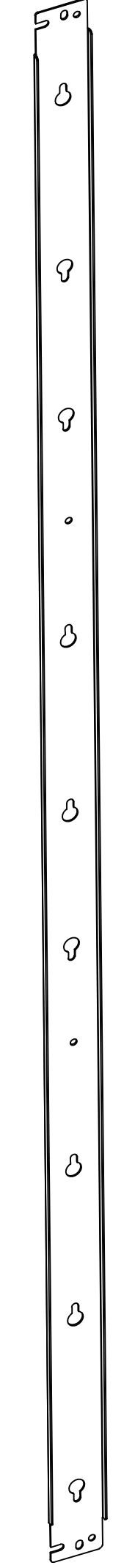
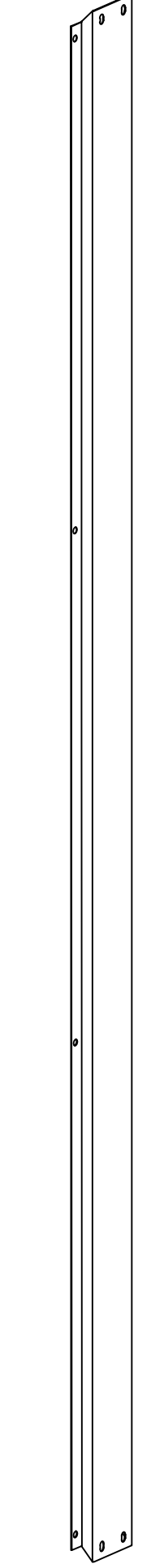
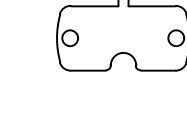
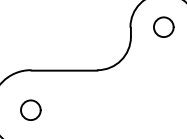
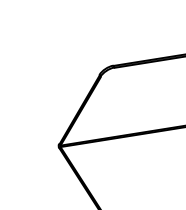
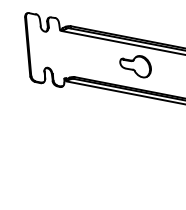
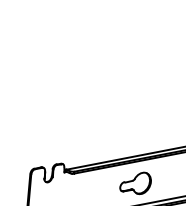
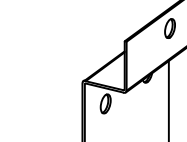
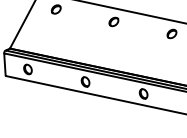
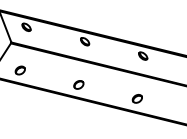

Item	Qty	MM
	2 PCS	90
	4 PCS	25
	2 PCS	613
	4 PCS	576
	2 PCS	613
	2 PCS	560
	2 PCS	380

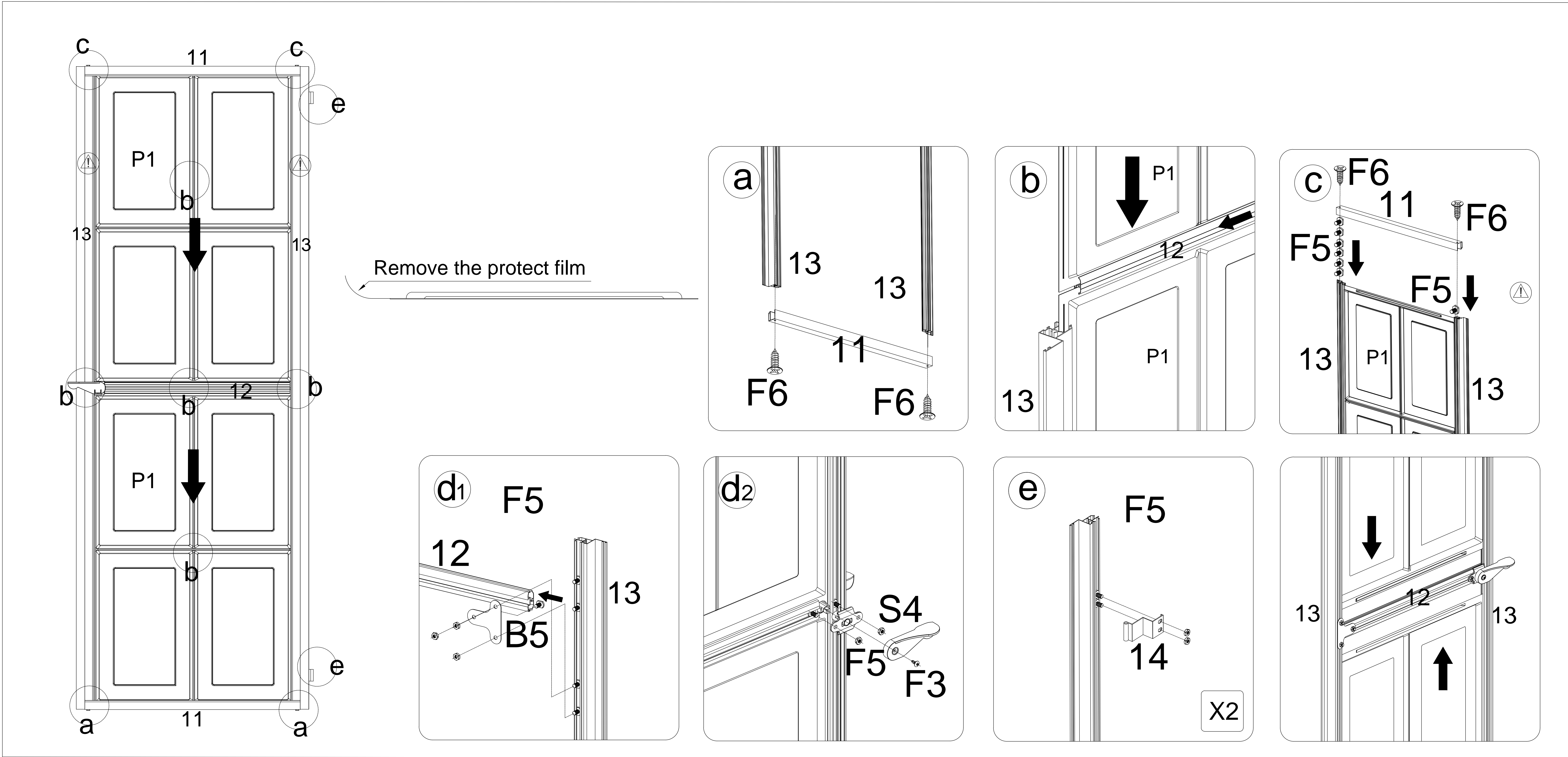
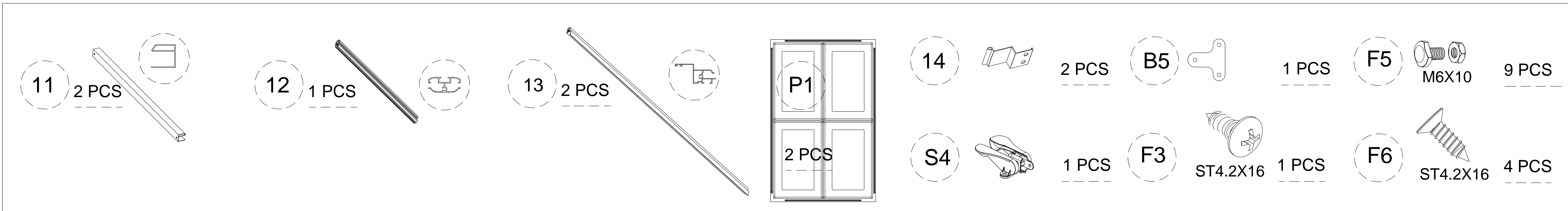
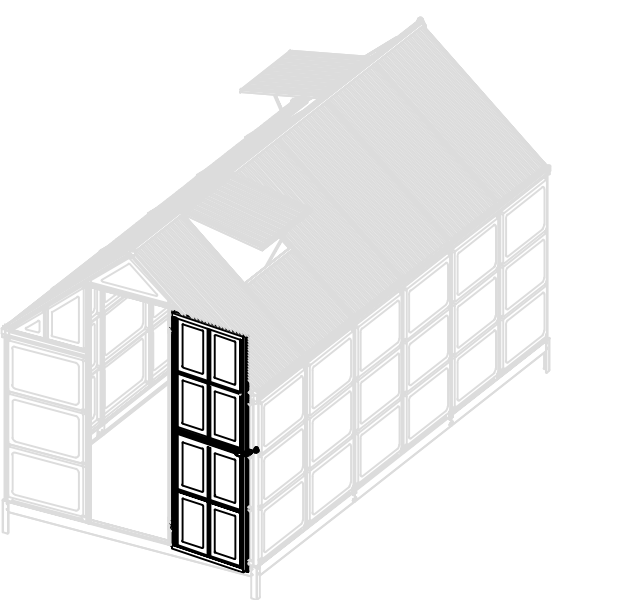
Contents

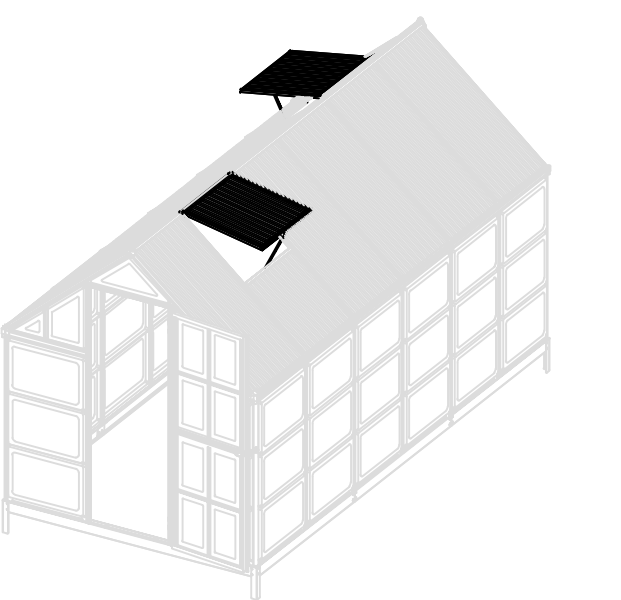


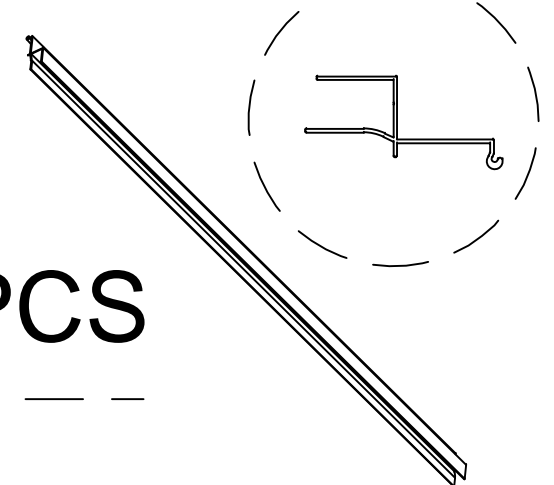
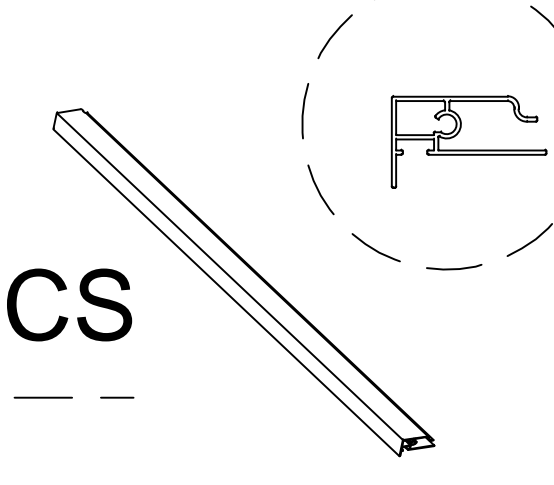
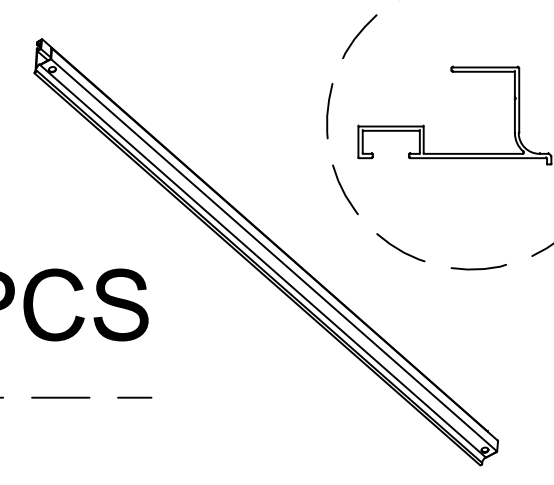
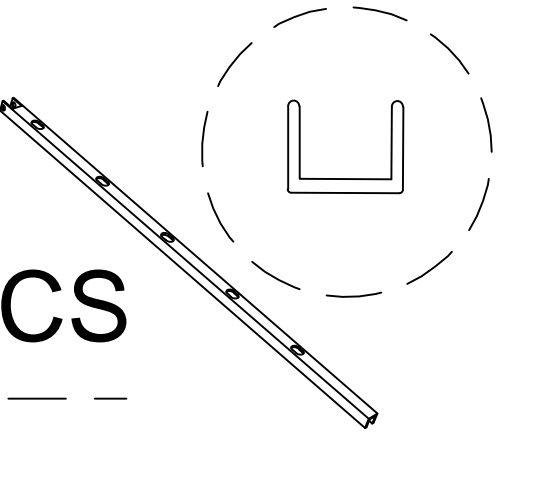
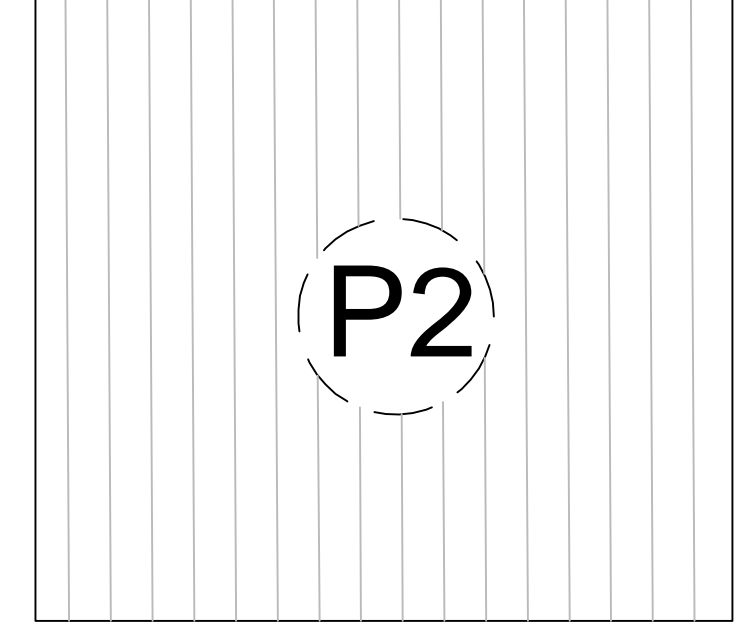
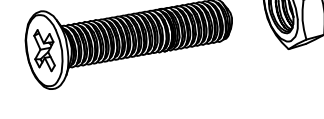
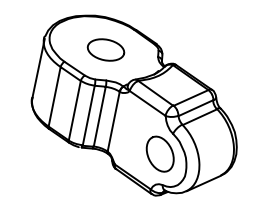
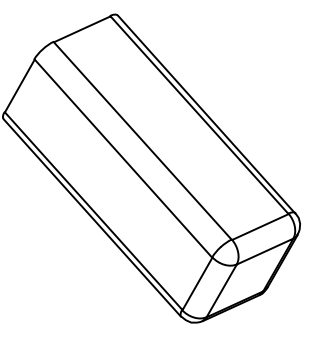
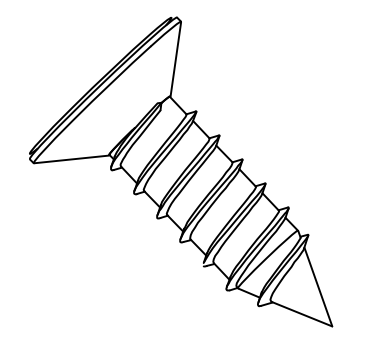
Item	Qty	Item	Qty
F2  M5X10	8 PCS	F6  ST4.2X16	26 PCS
F3  ST4.2X16	1 PCS	F7  Ø4X150	2 PCS
F4  M4X18	4 PCS	F8  Ø5X0.6	4 PCS
F5  M6X10	175 PCS		

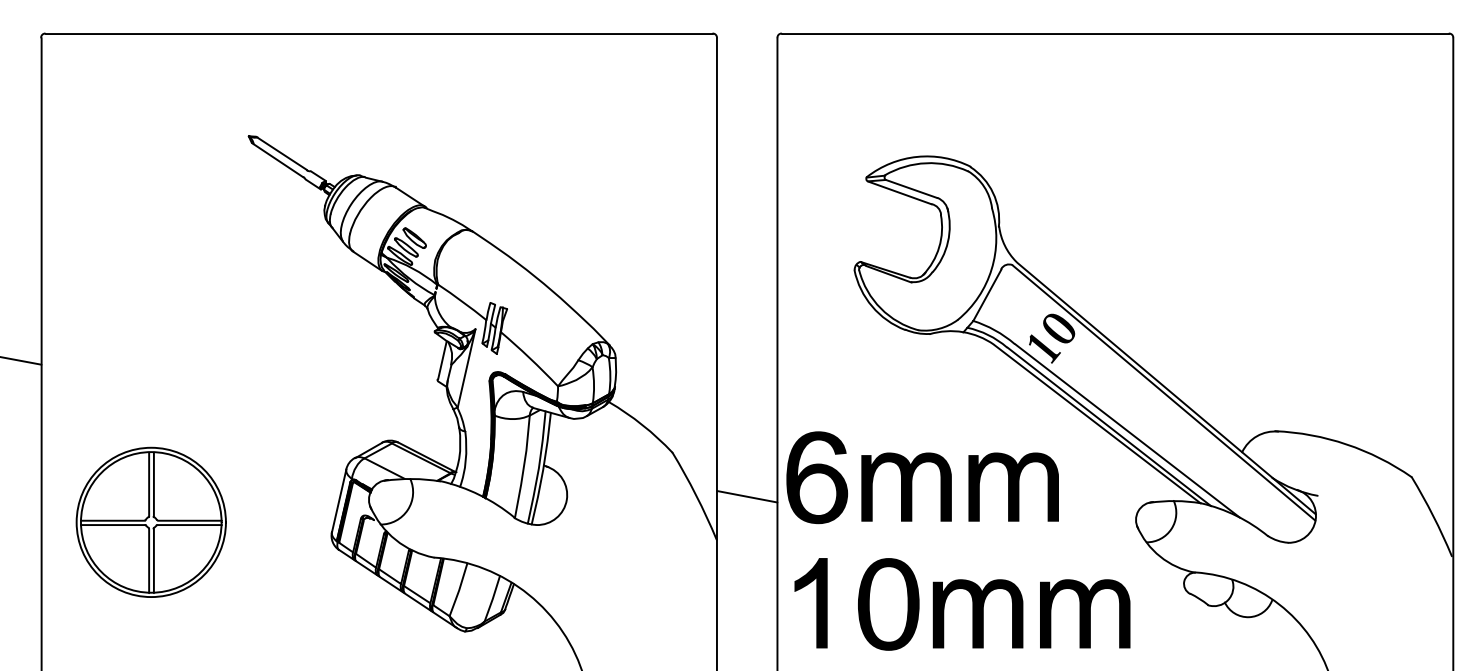
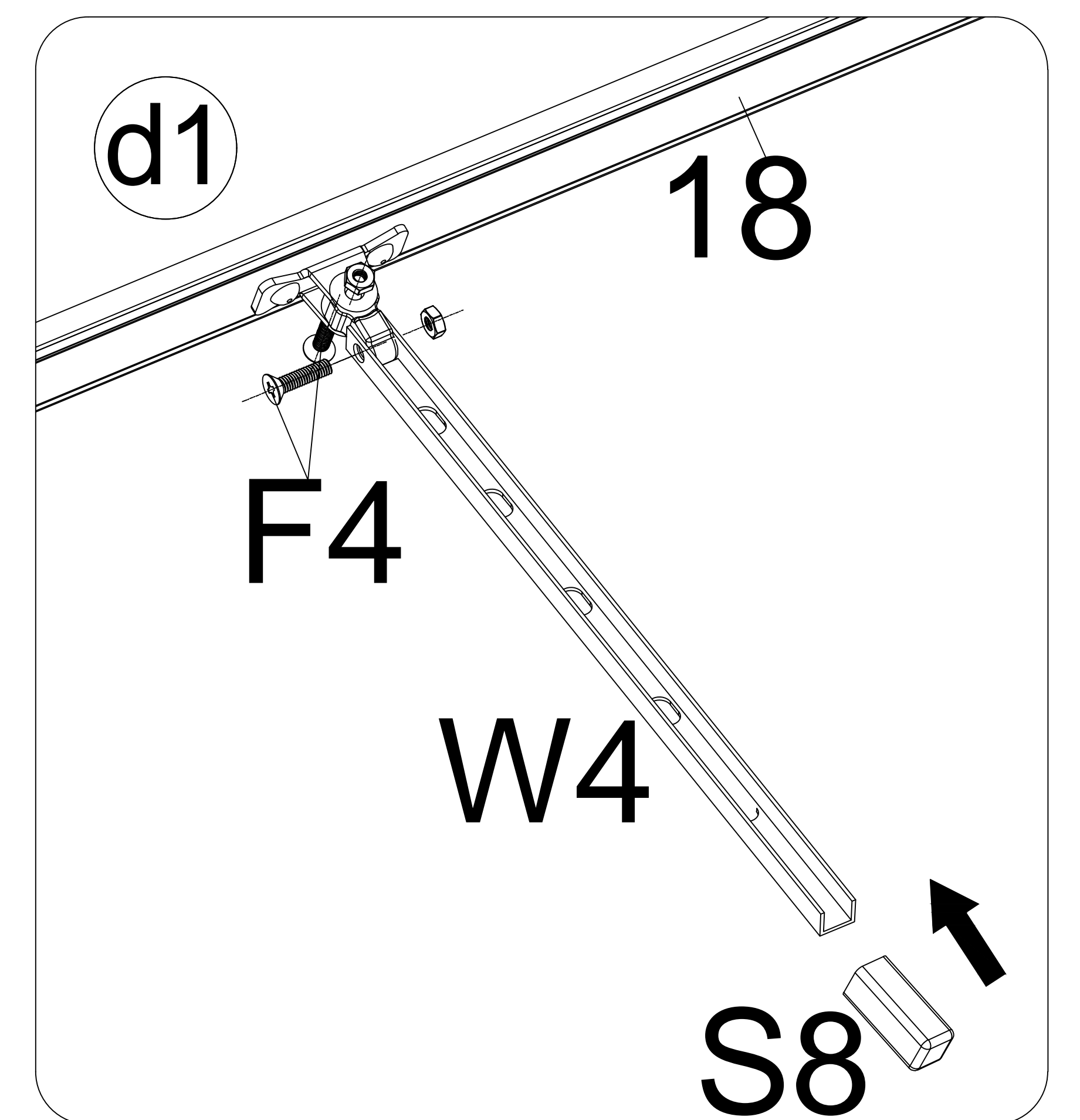
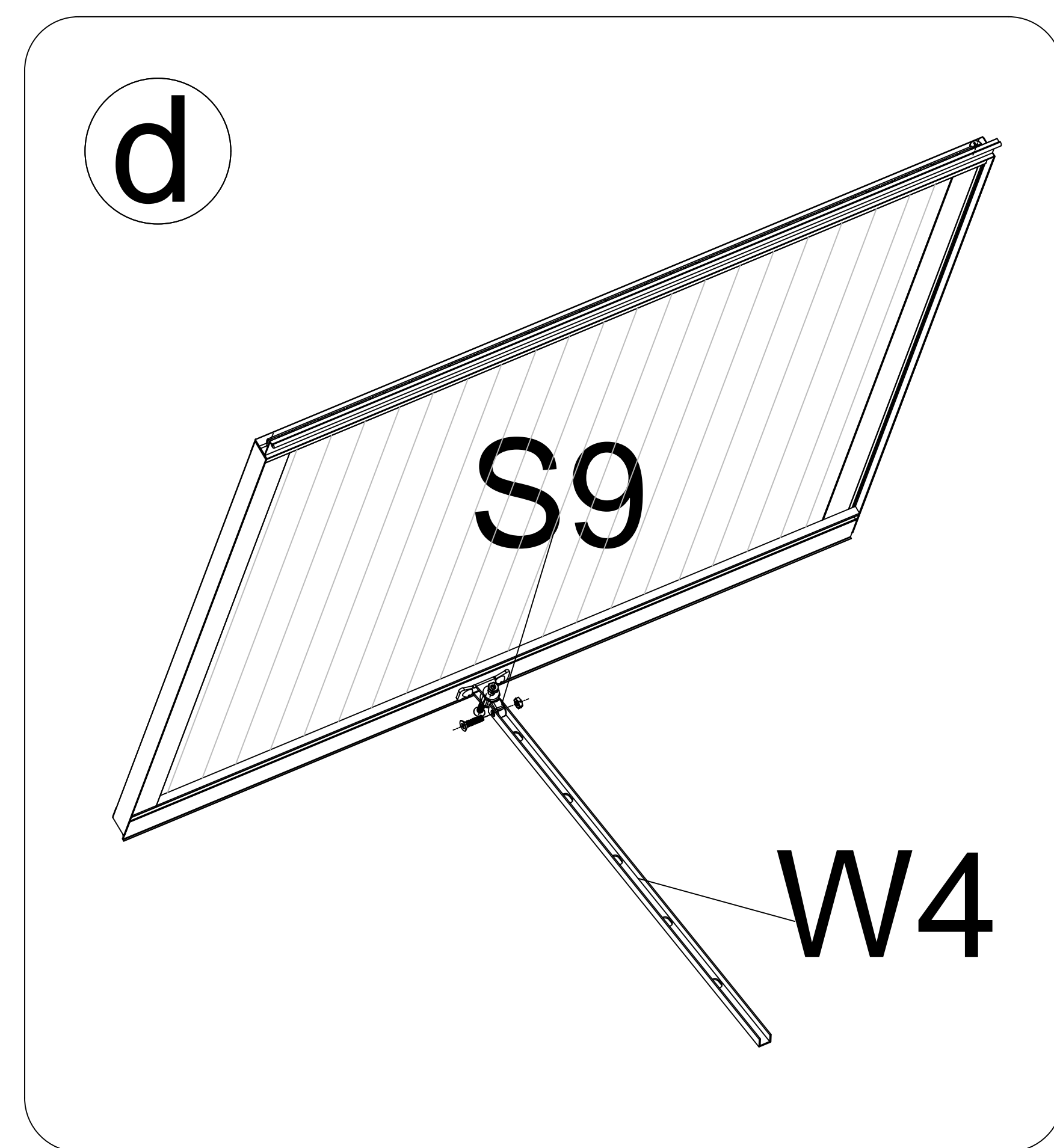
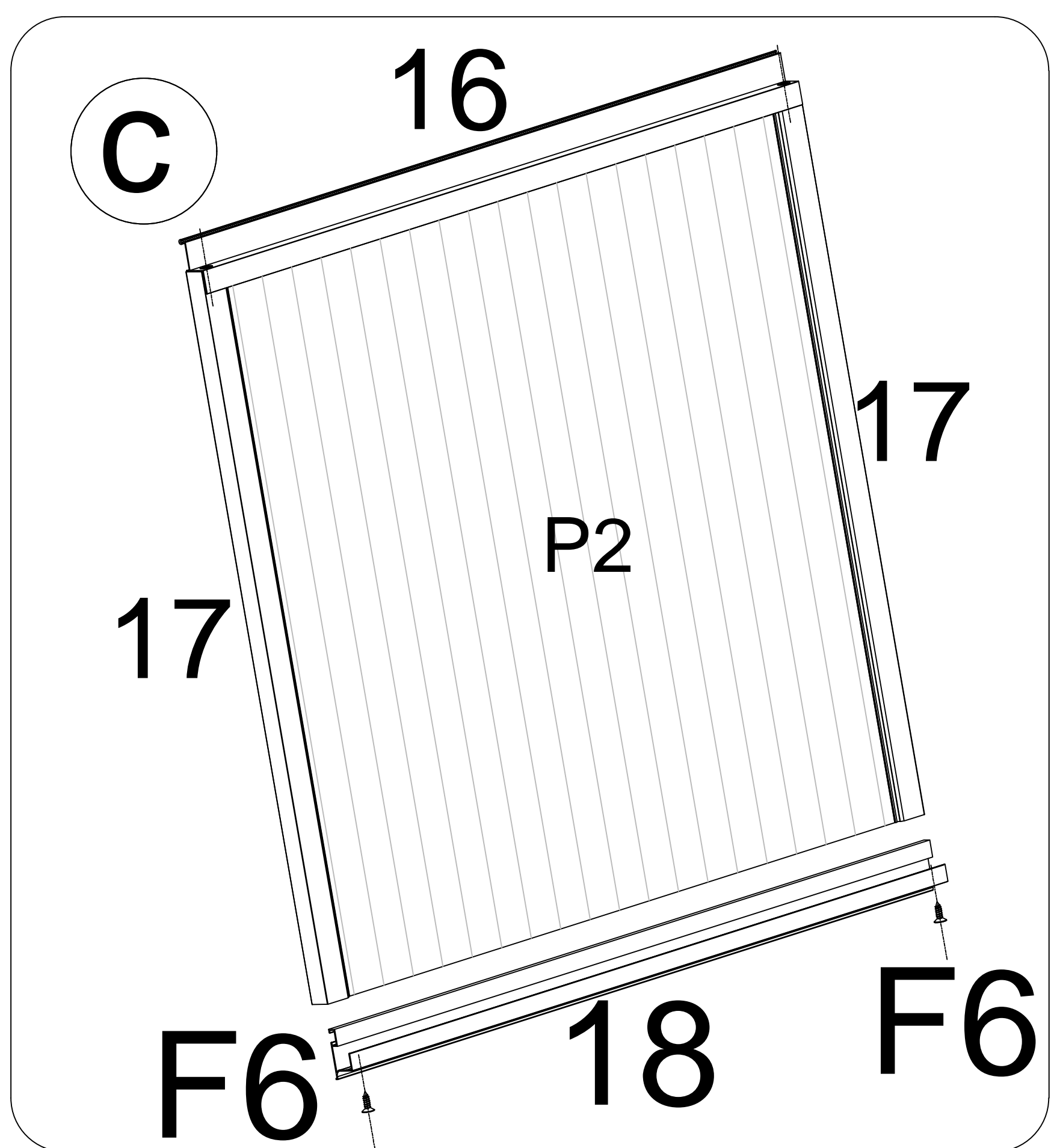
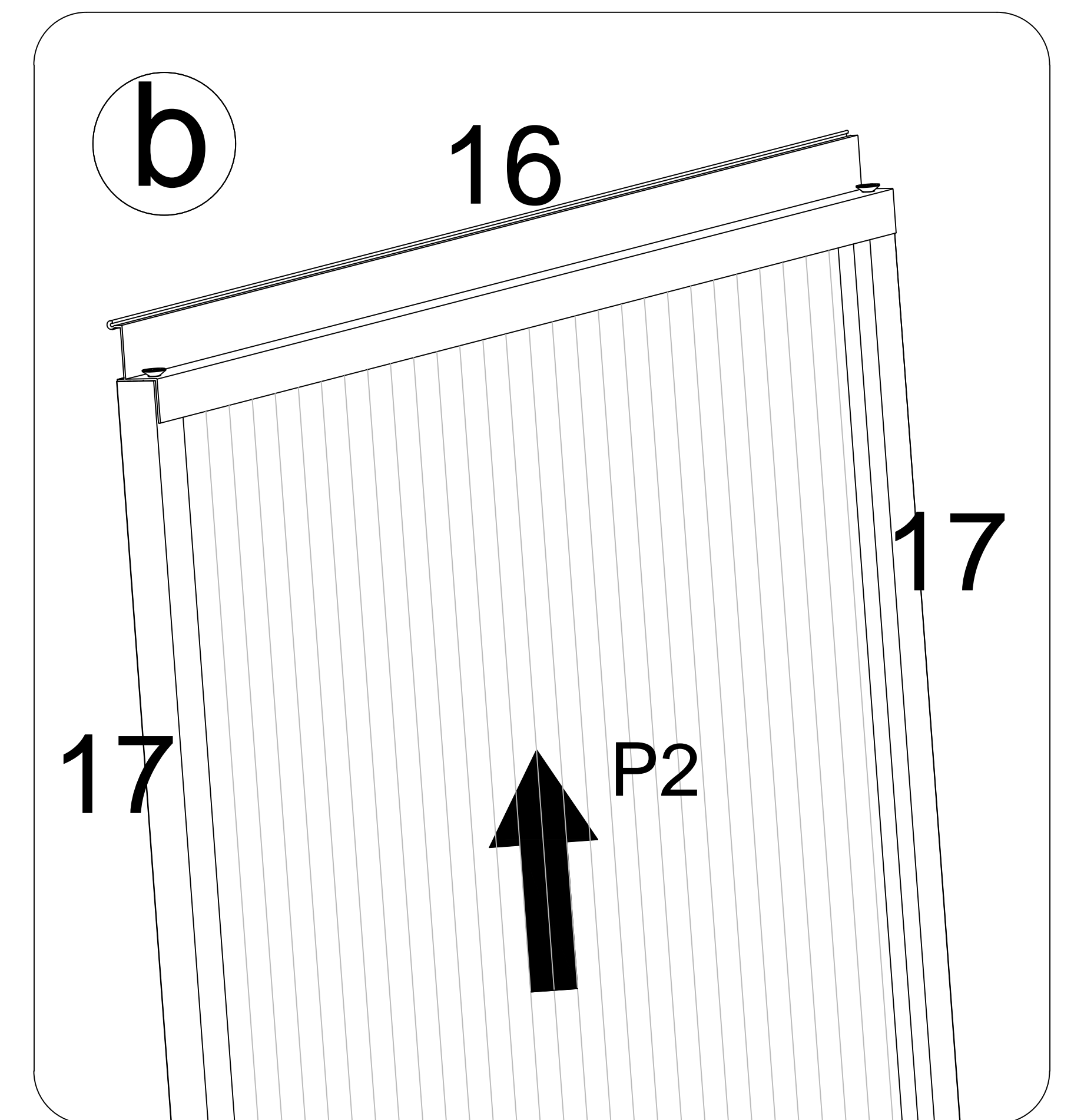
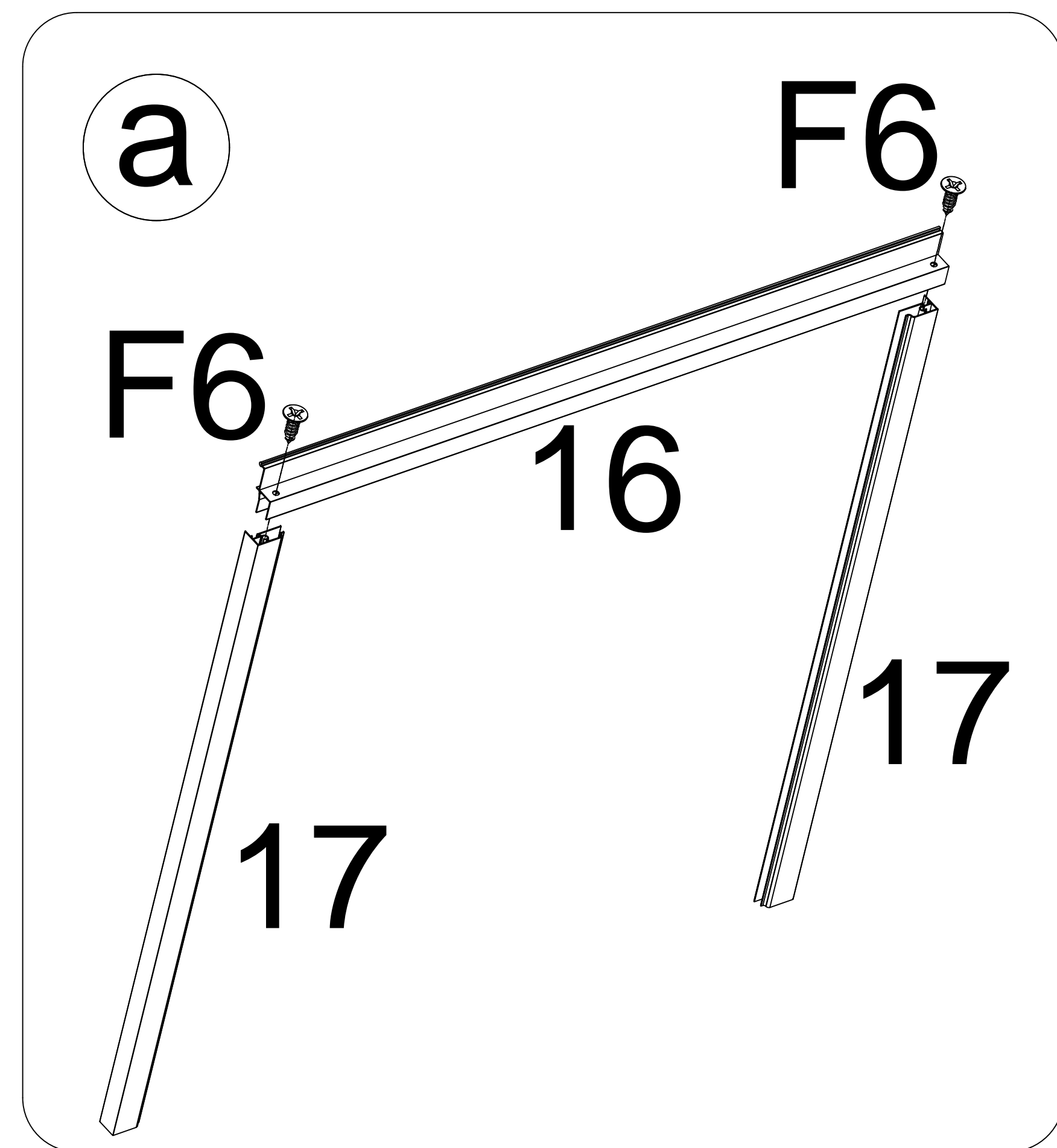
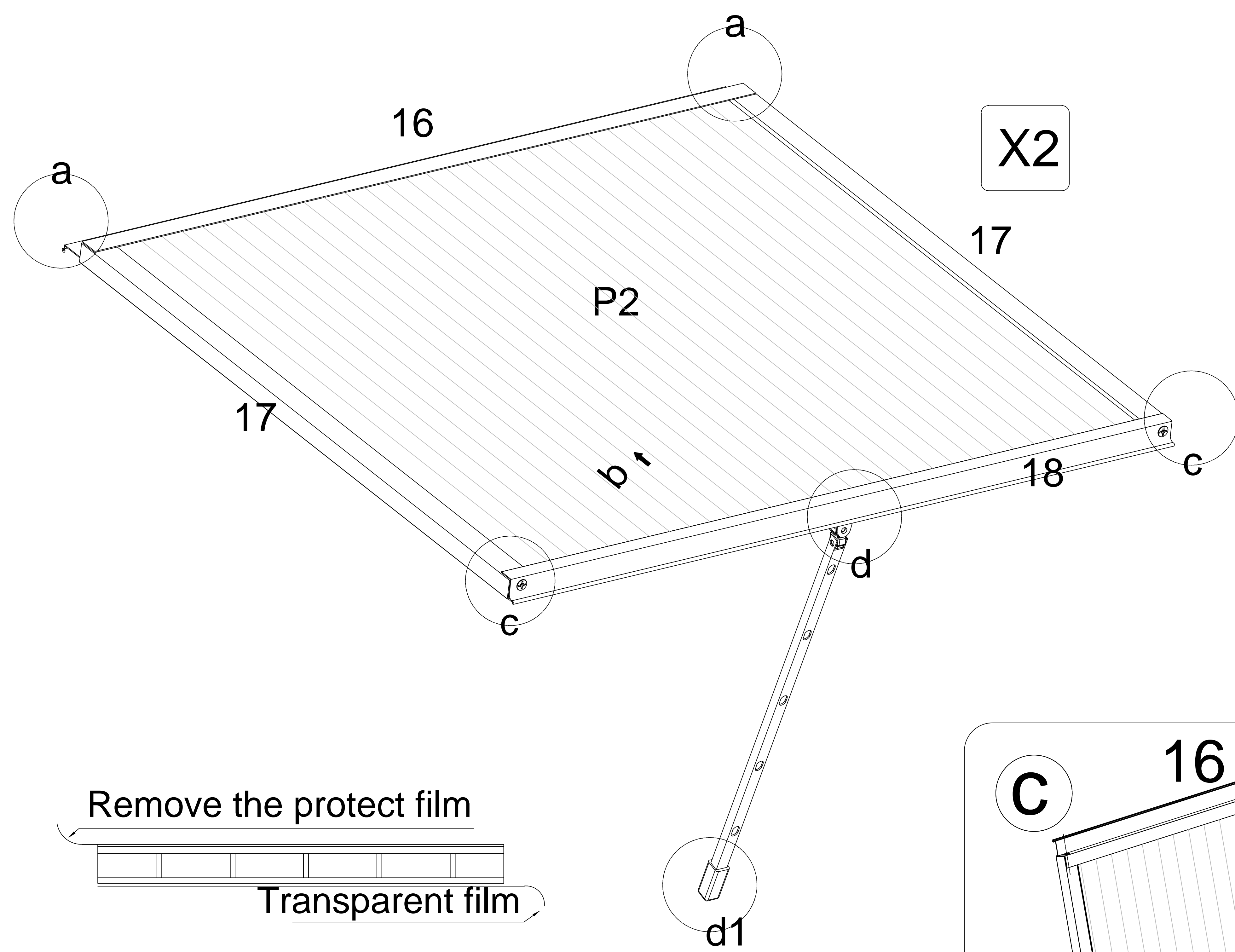
S1	S2L	S2R	S3	S4	S8	S9
						
2 PCS	2 PCS	2 PCS	10 PCS	1 PCS	2 PCS	2 PCS

24 	21 		B4 	2 PCS
			B5 	5 PCS
			23 	4 PCS
			25L 	1 PCS
			25R 	1 PCS
			27 	2 PCS
			28 	2 PCS
			29 	1 PCS
1 PCS	6 PCS		B8 	2 PCS

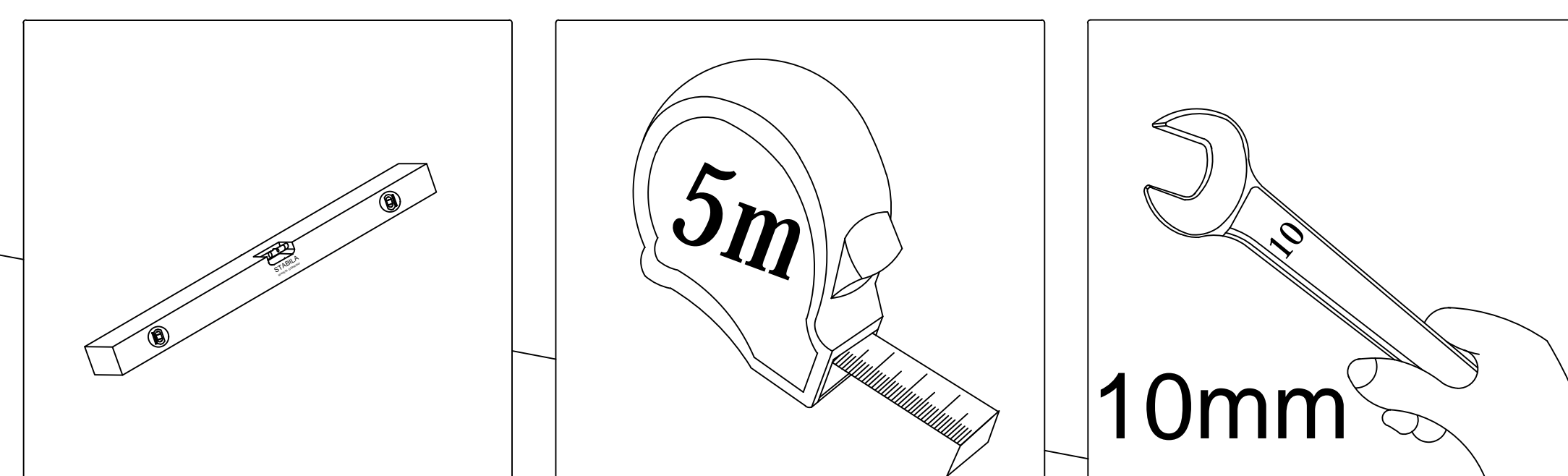
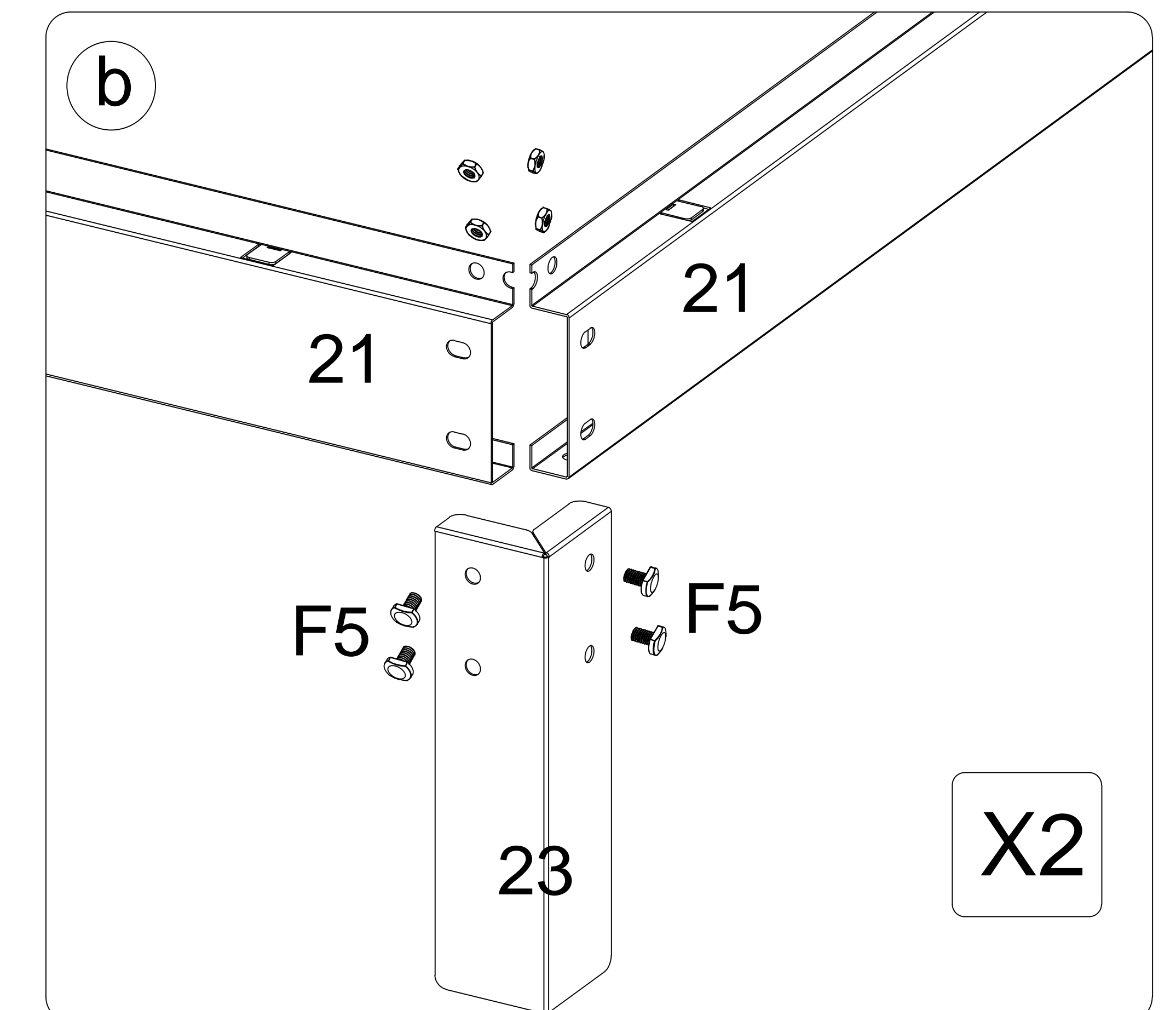
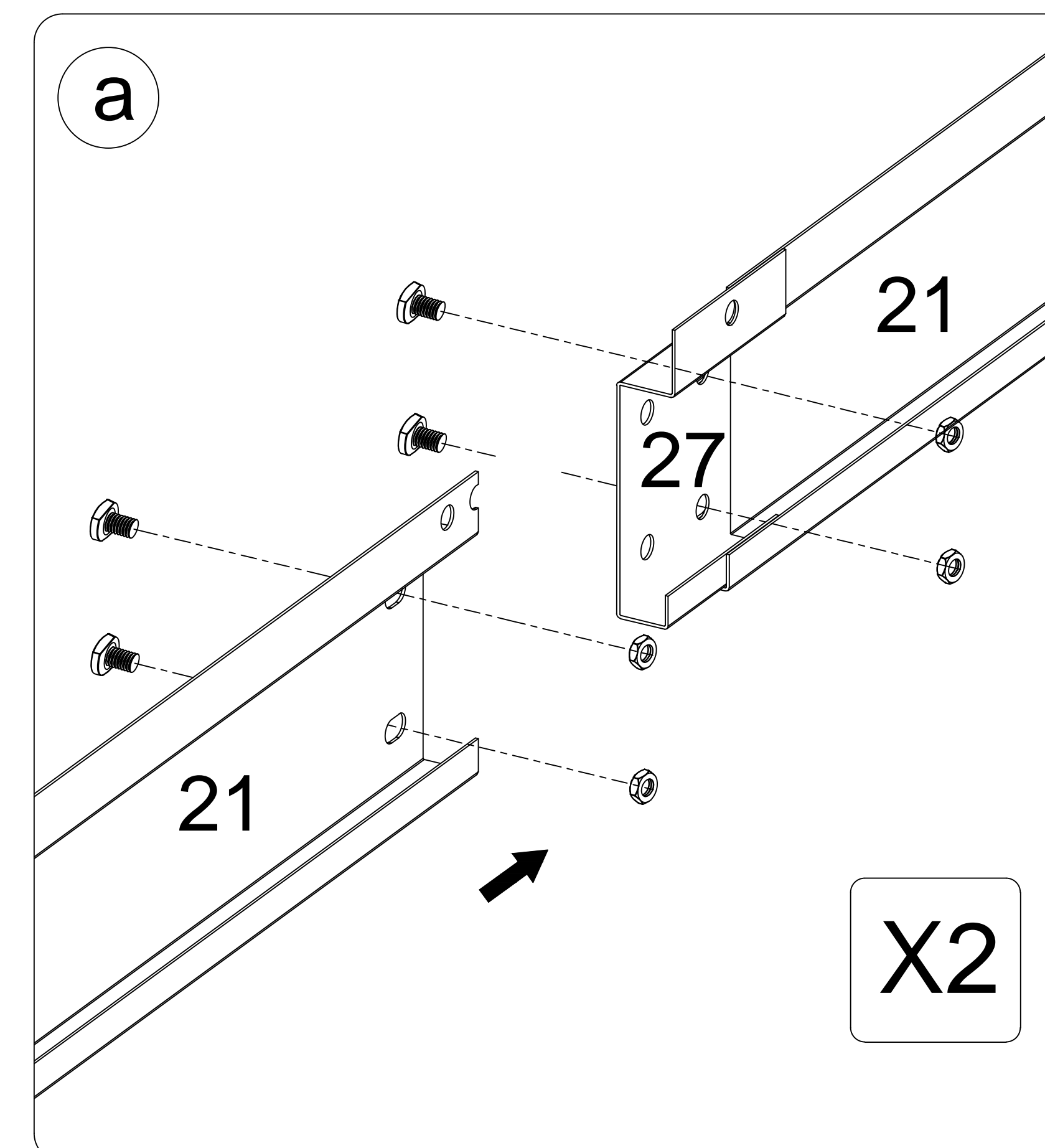
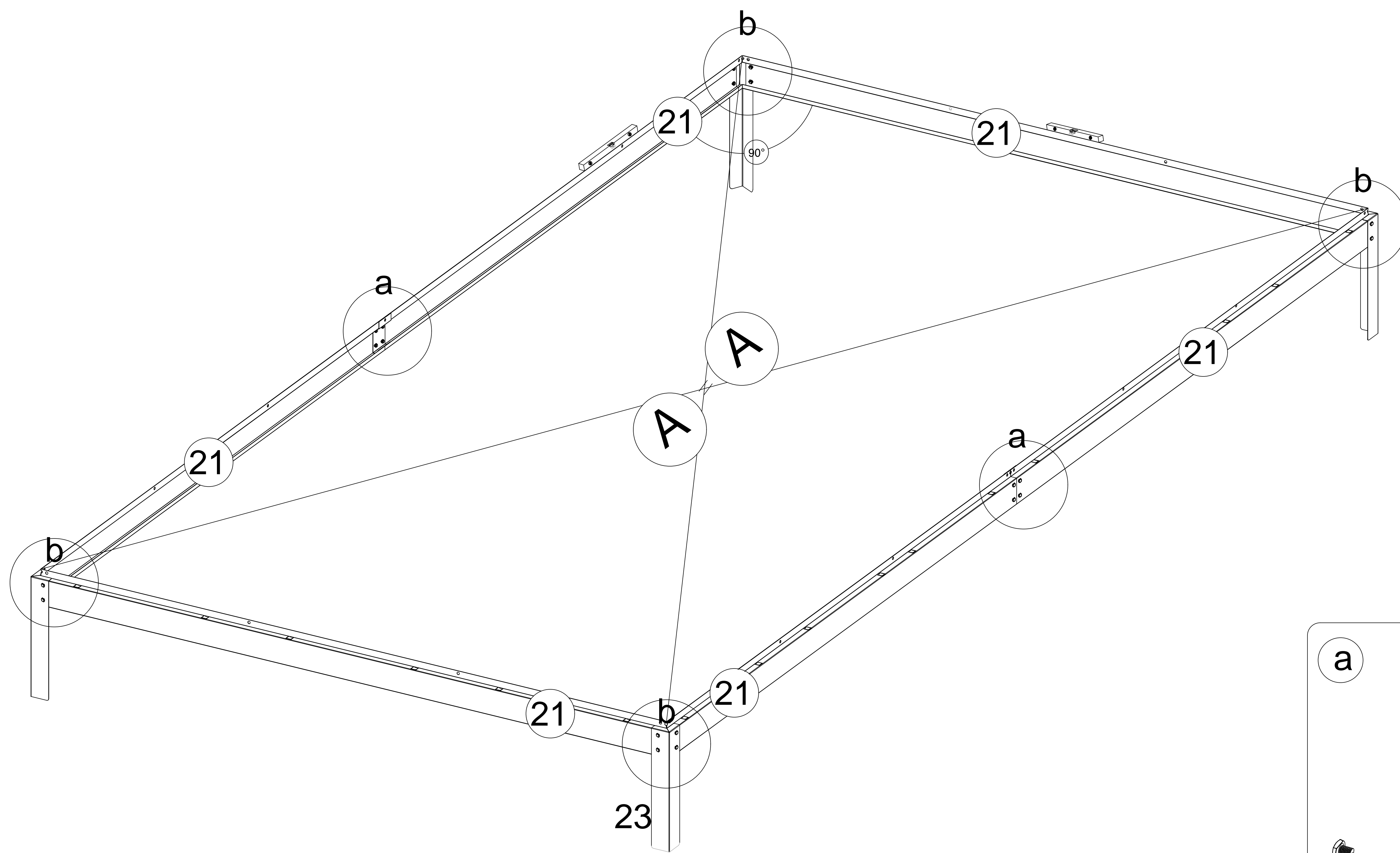
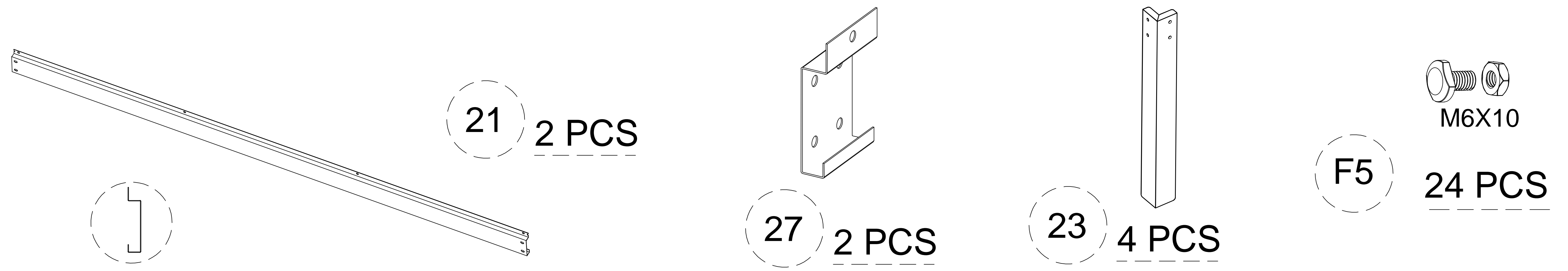
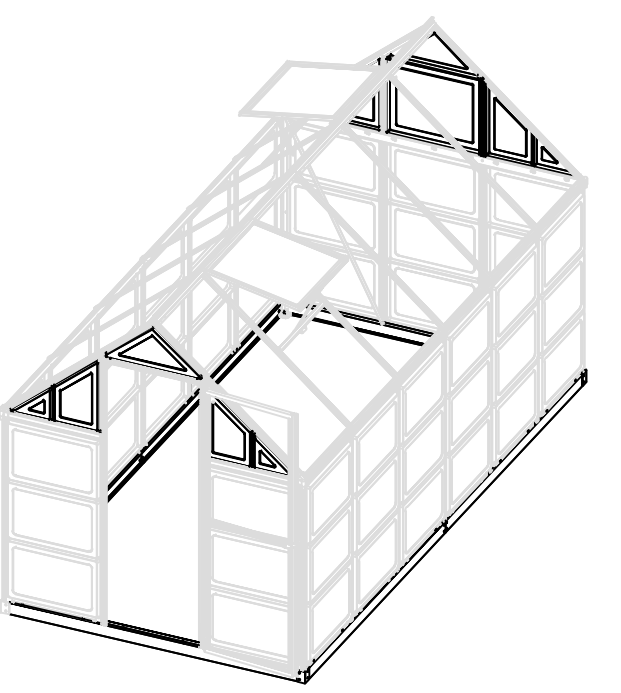




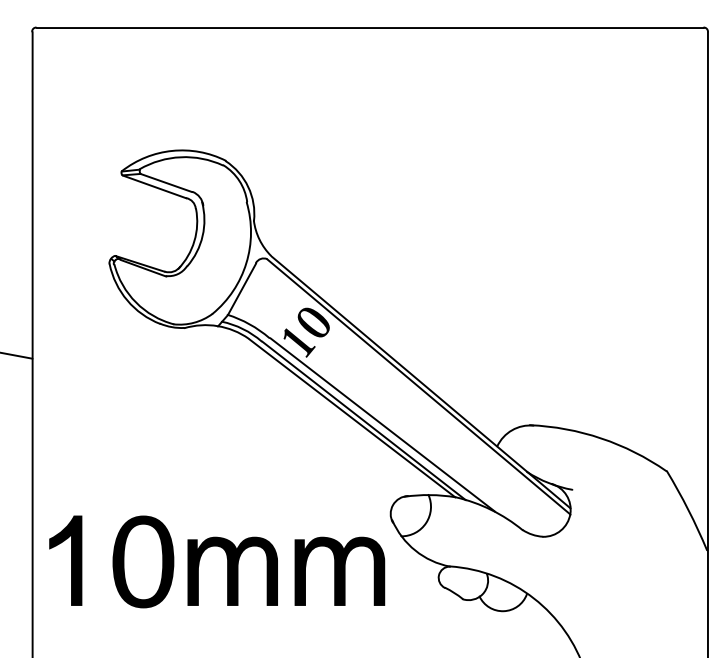
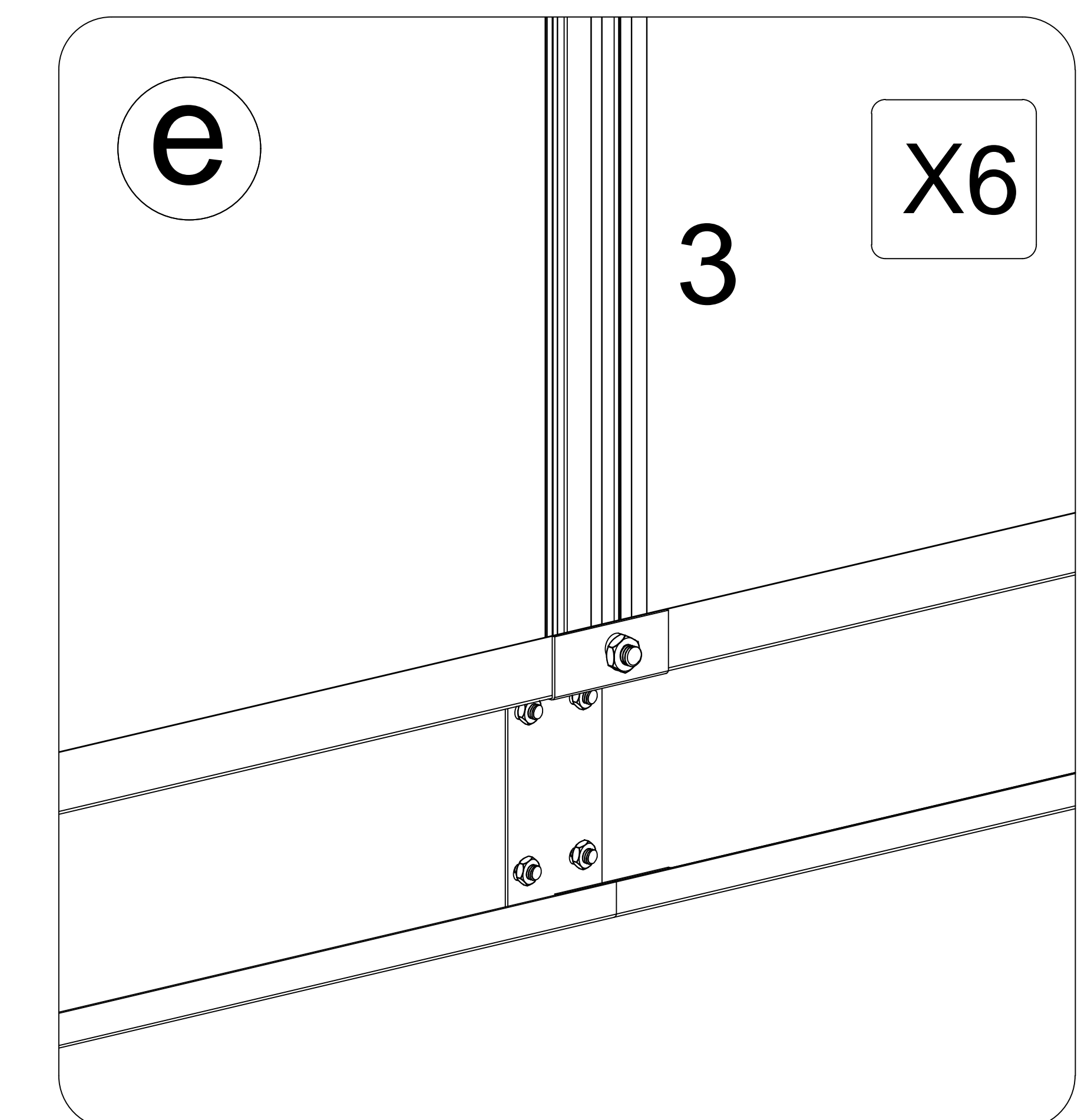
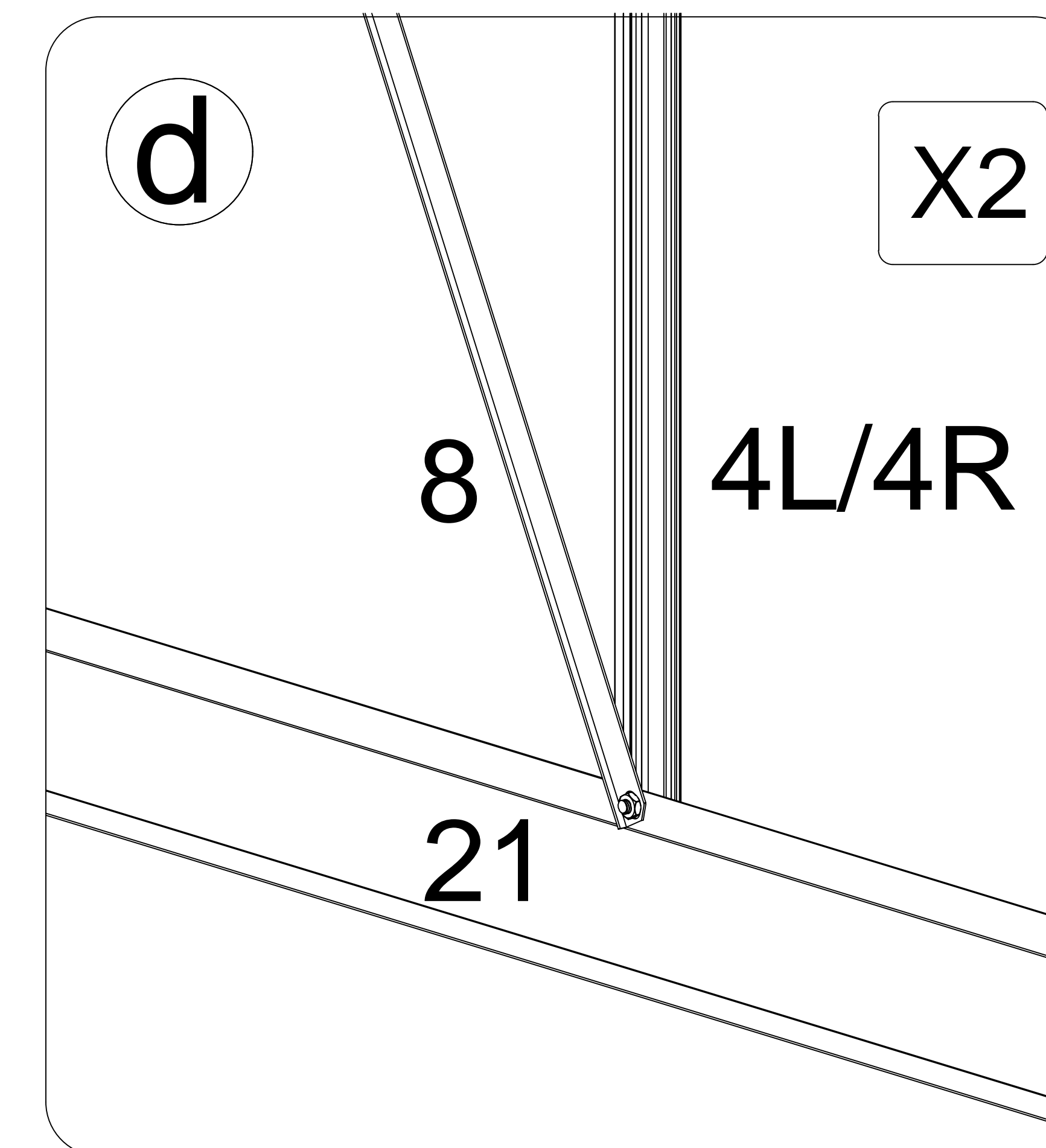
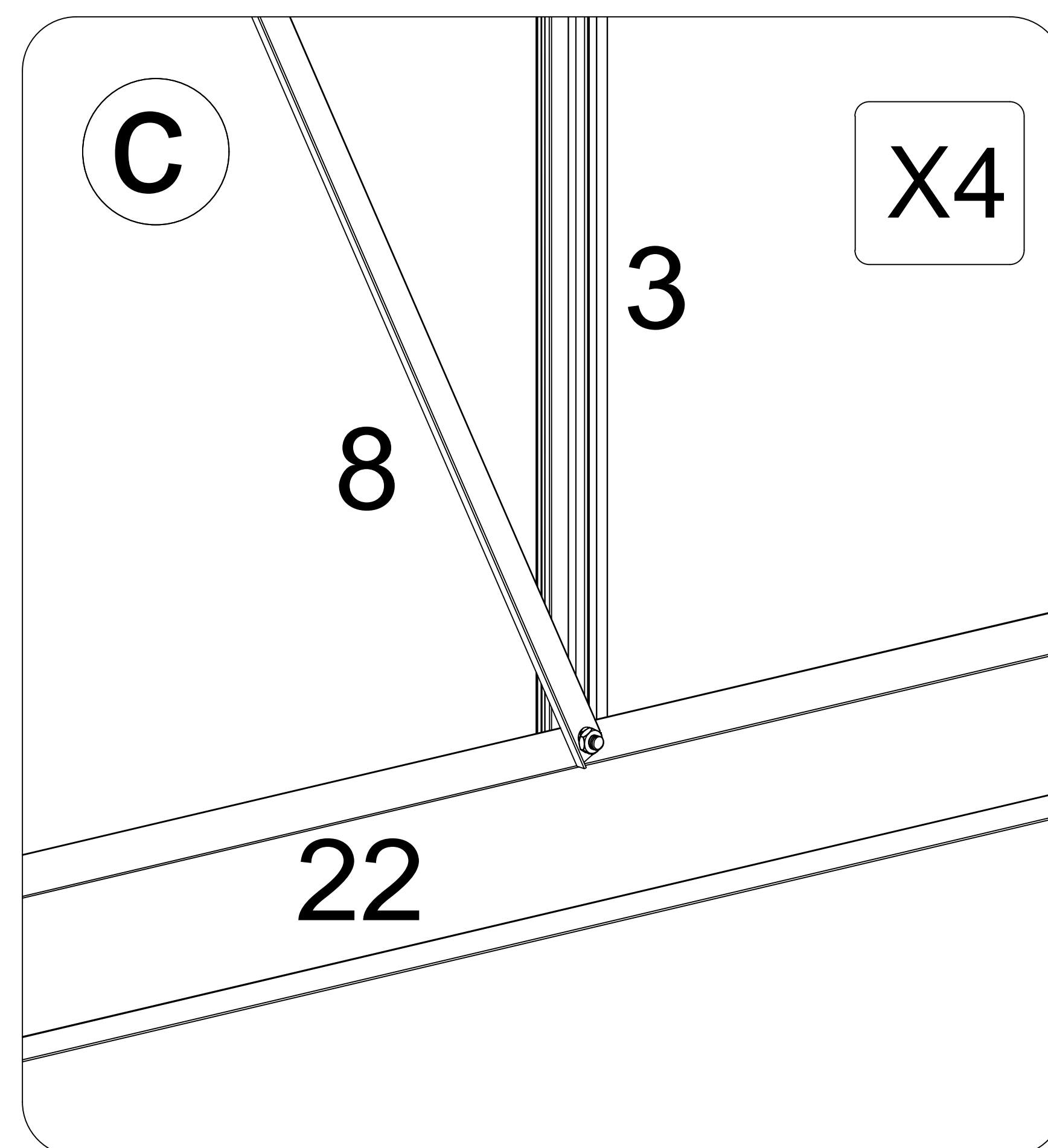
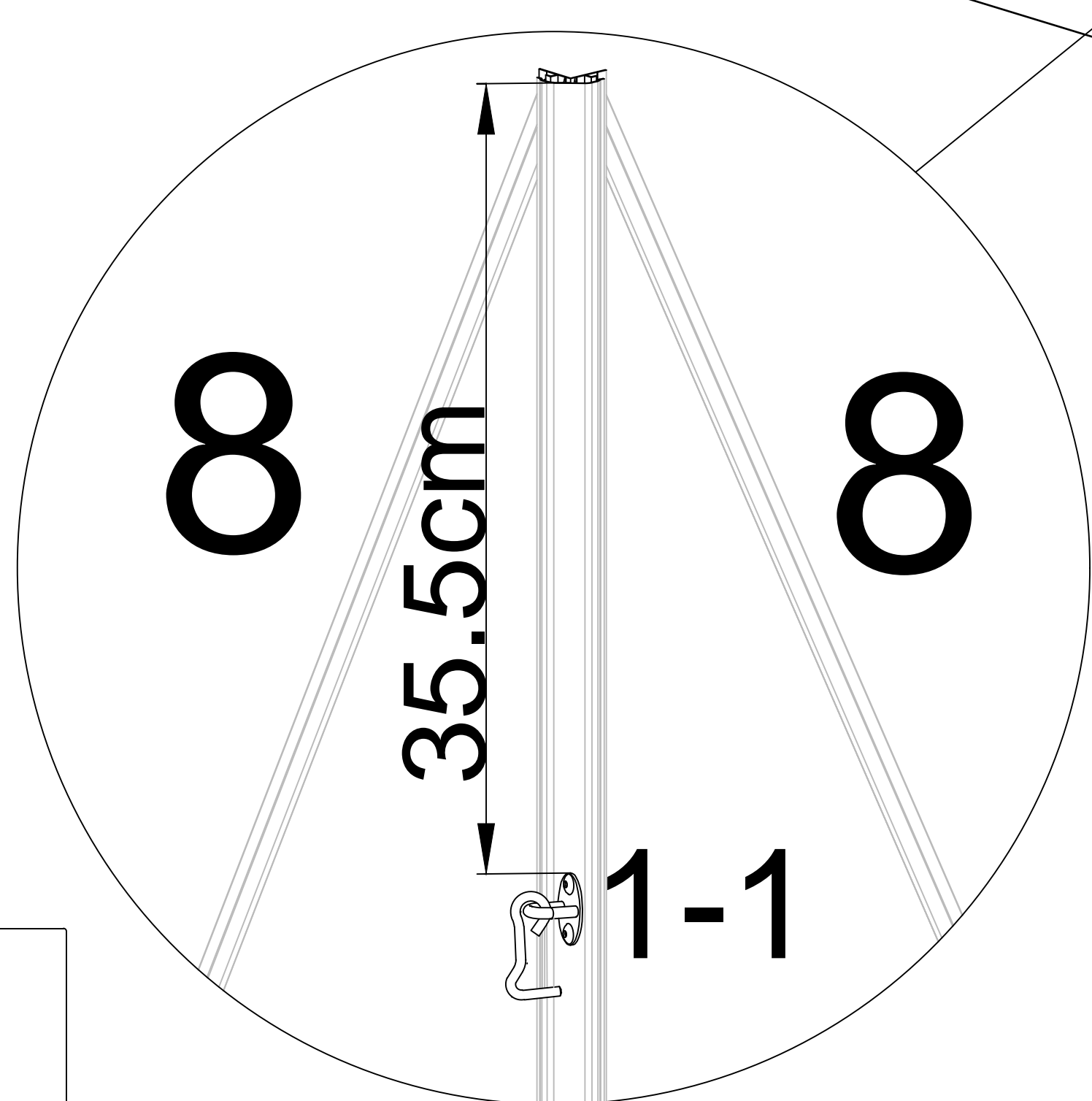
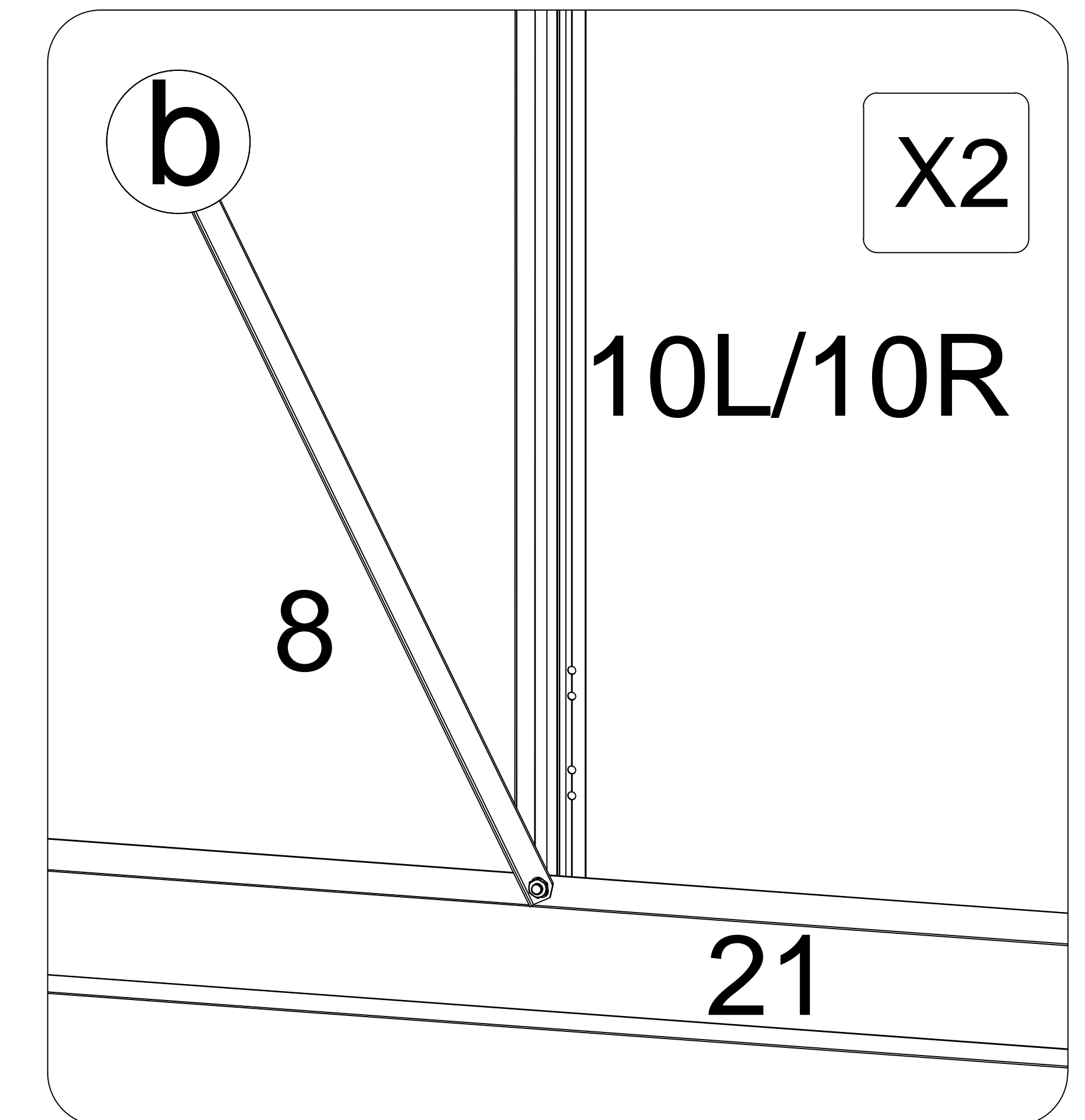
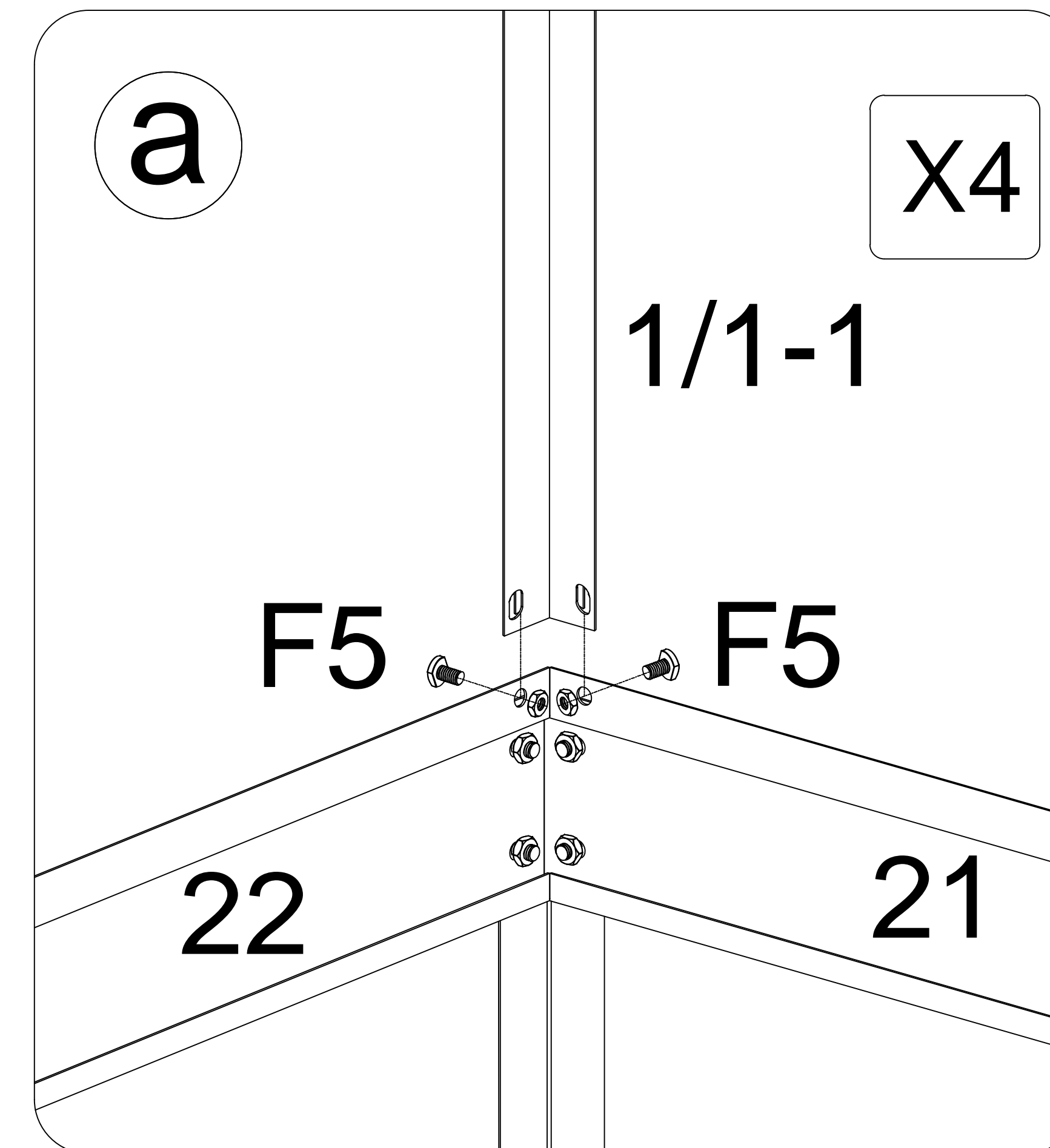
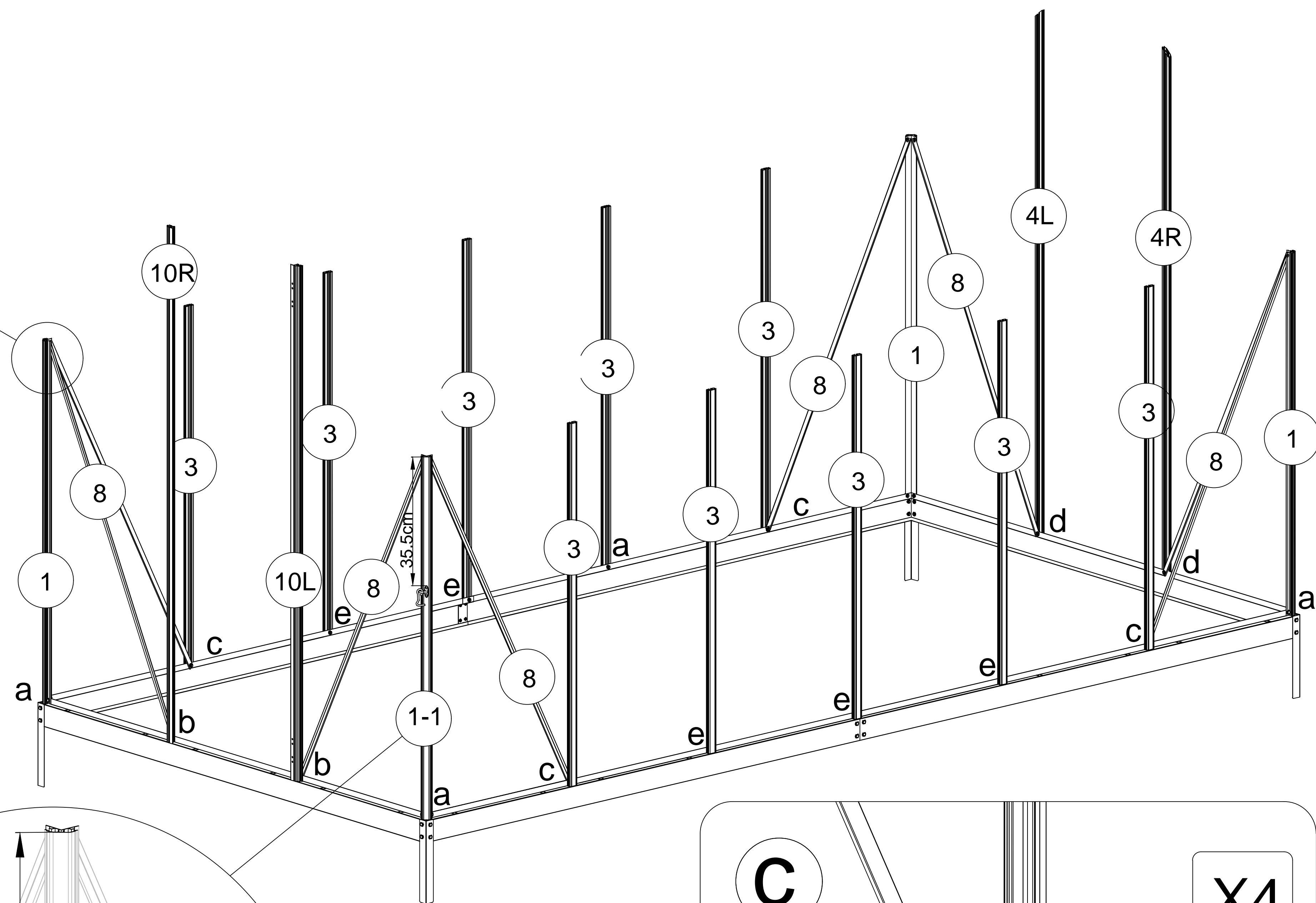
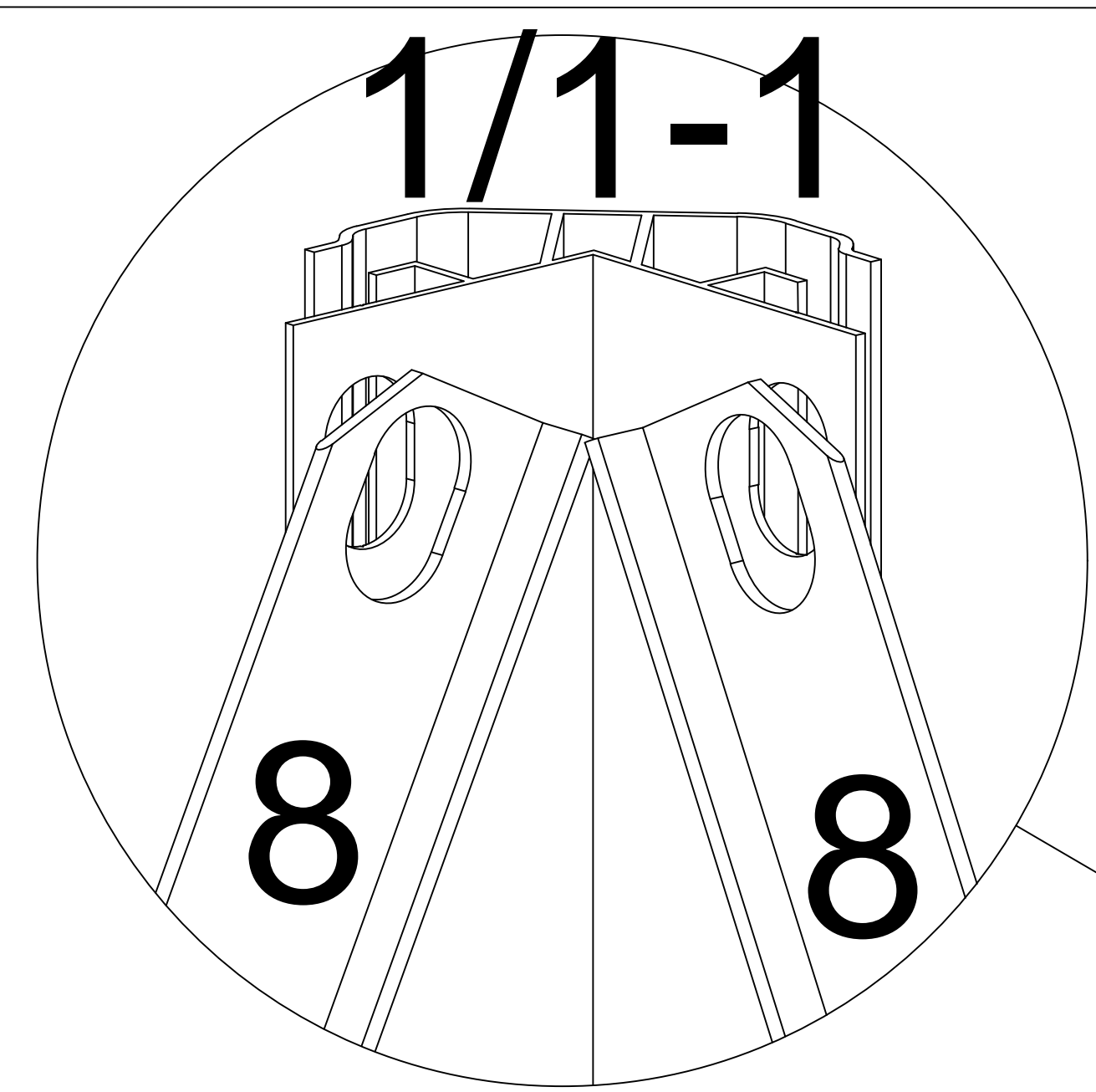
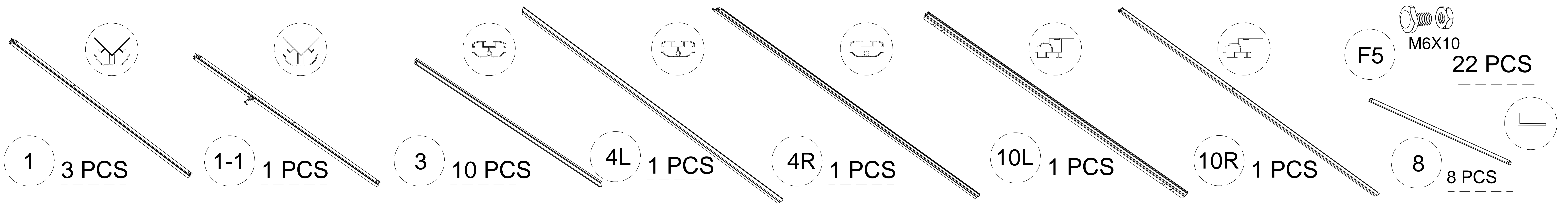
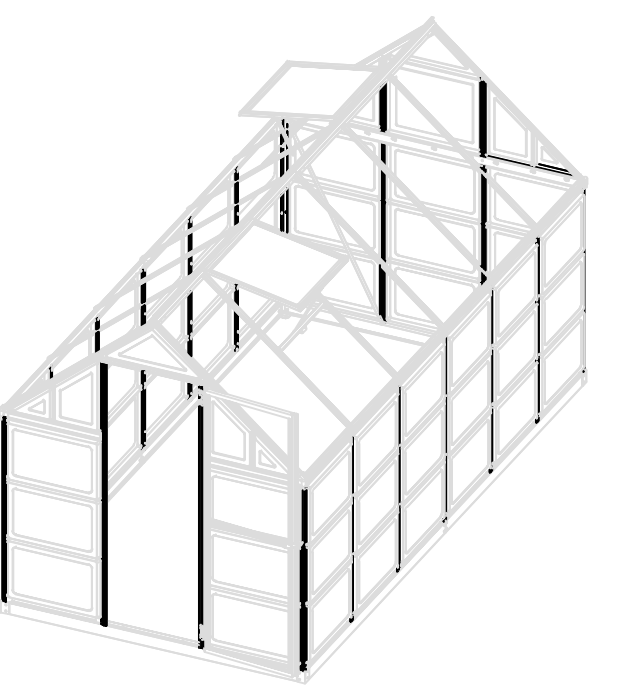
- 16 2 PCS 
- 17 4 PCS 
- 18 2 PCS 
- W4 2 PCS 
- P2 2 PCS 
- F4 4 PCS  M4X18
- S9 2 PCS 
- S8 2 PCS 
- F6 8 PCS  ST4.2X16



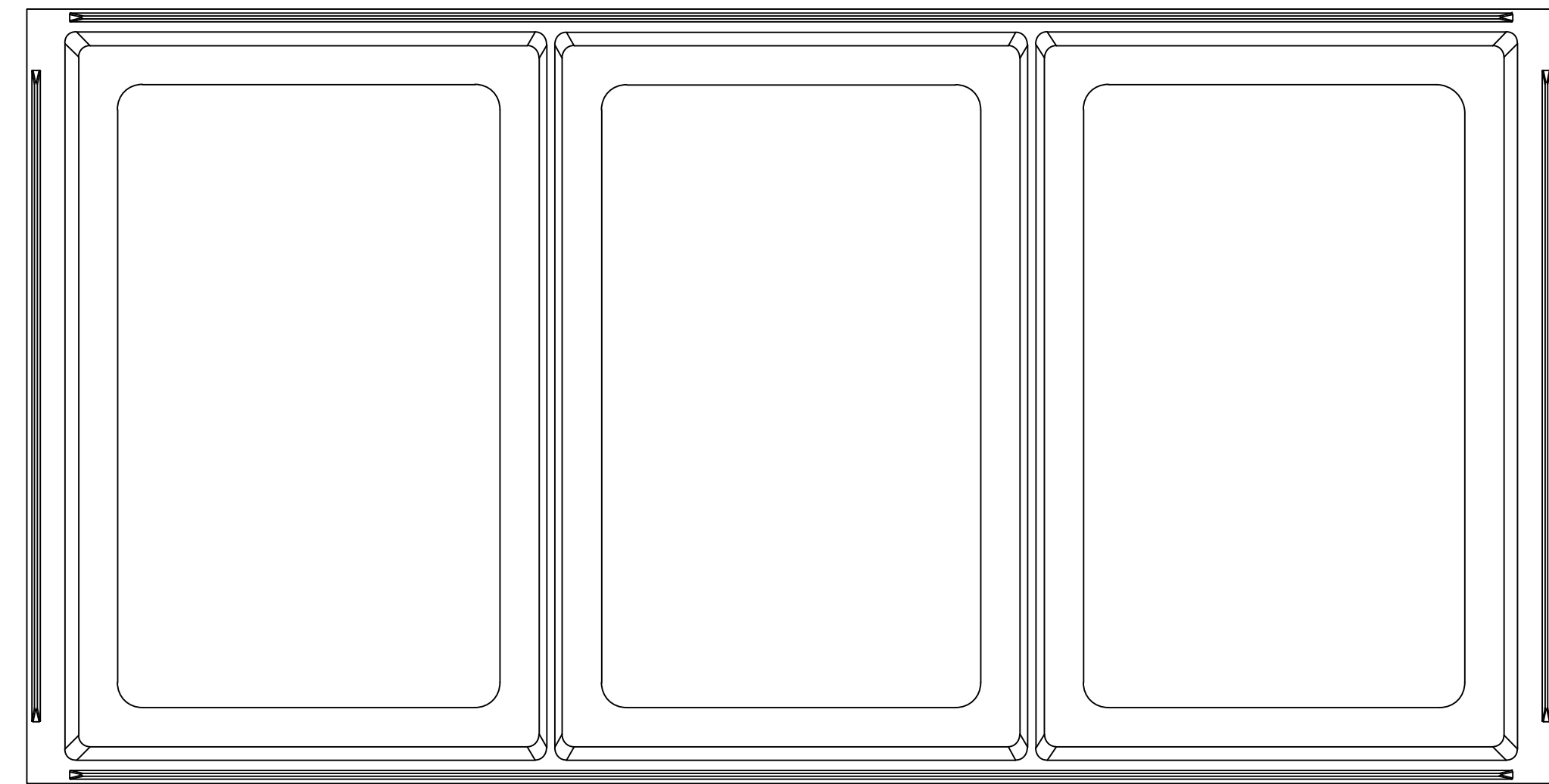
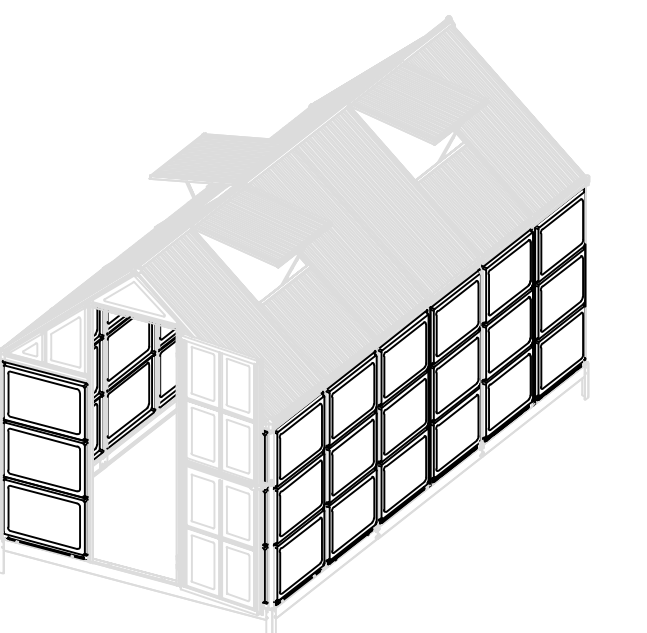
3



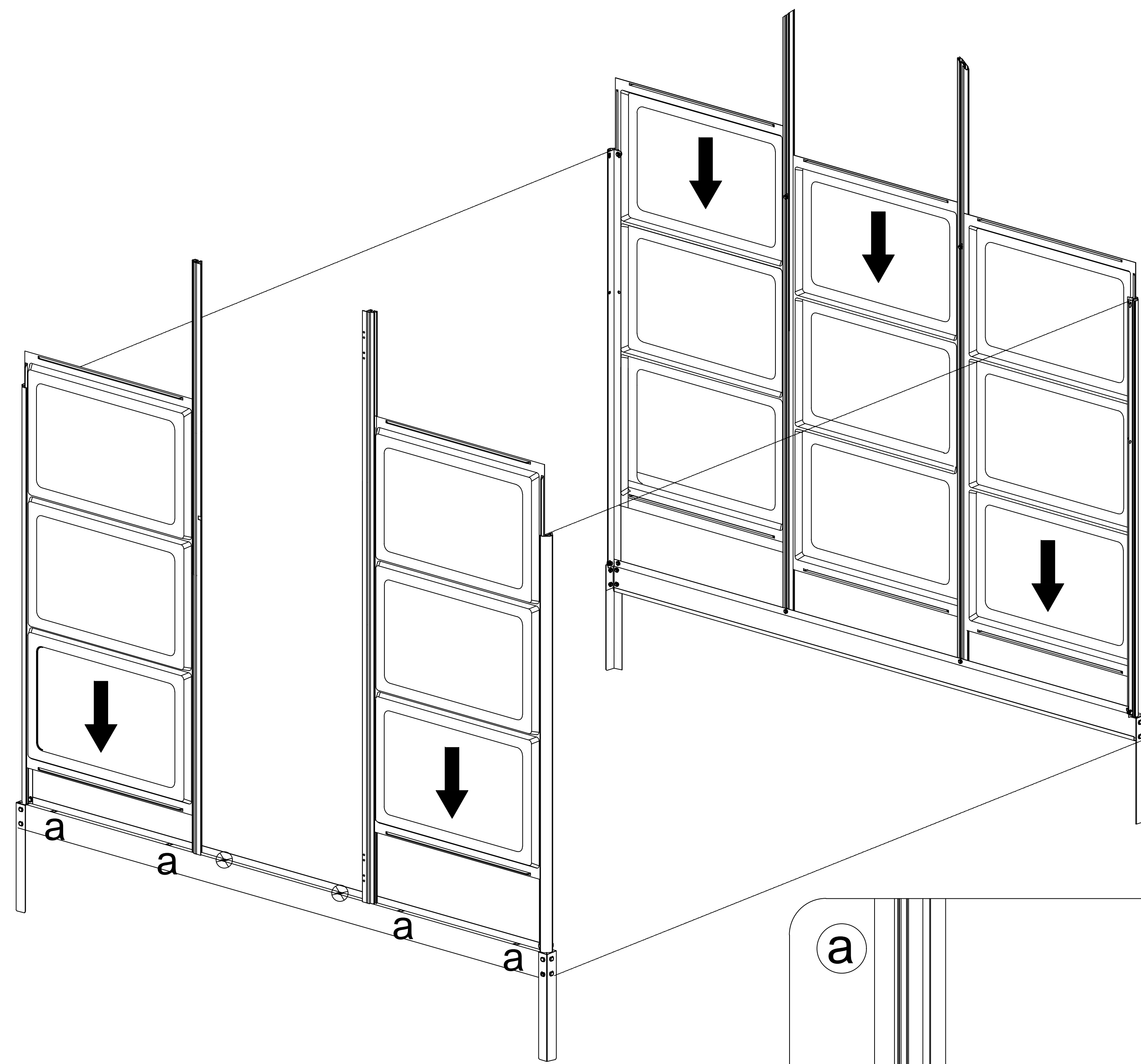
4



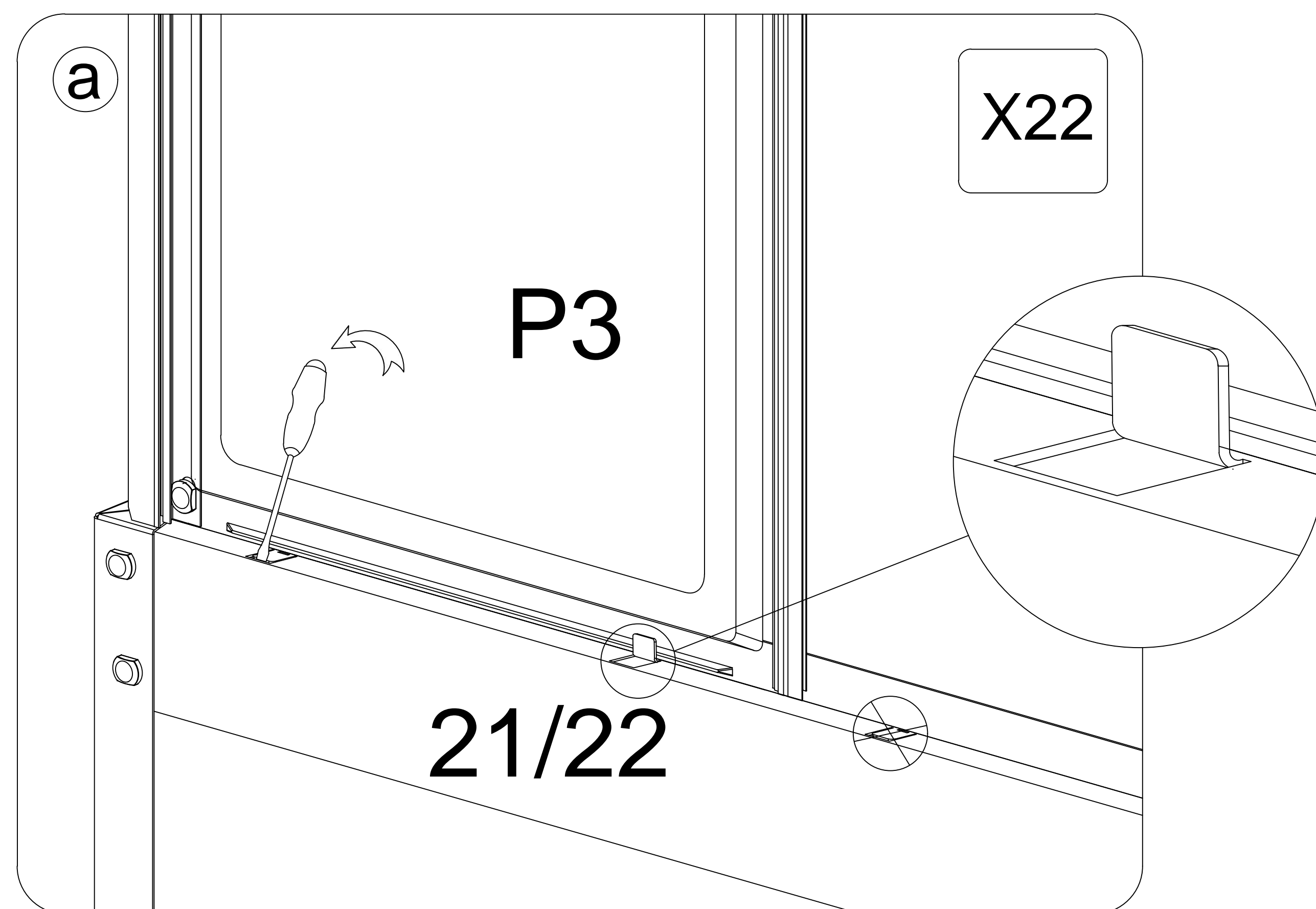
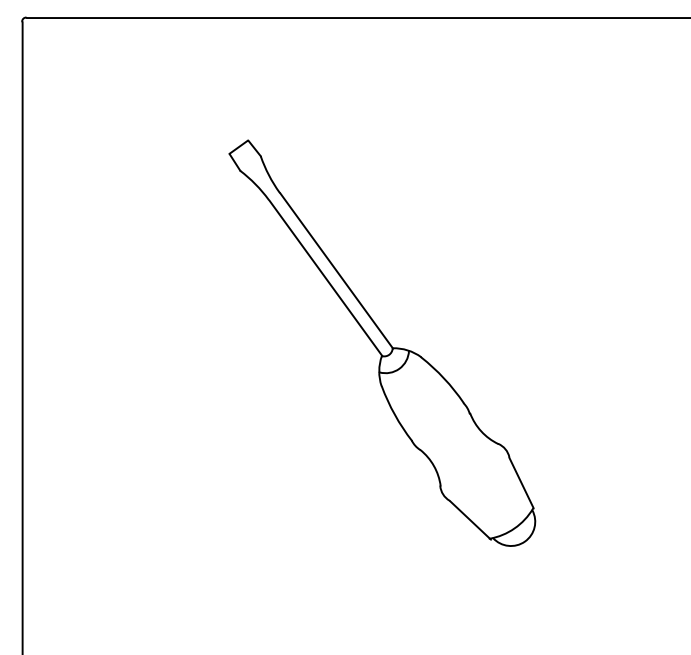
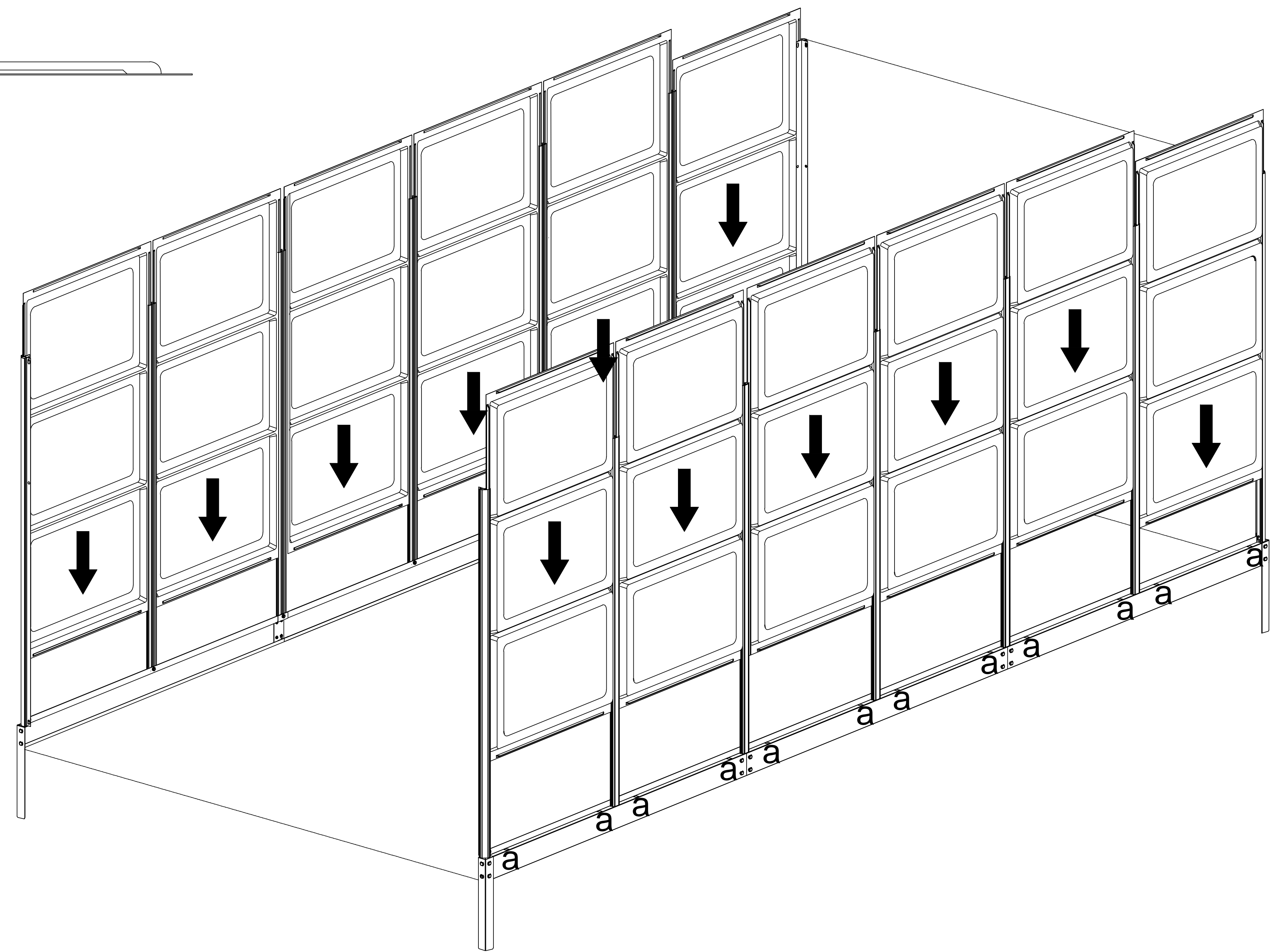
5

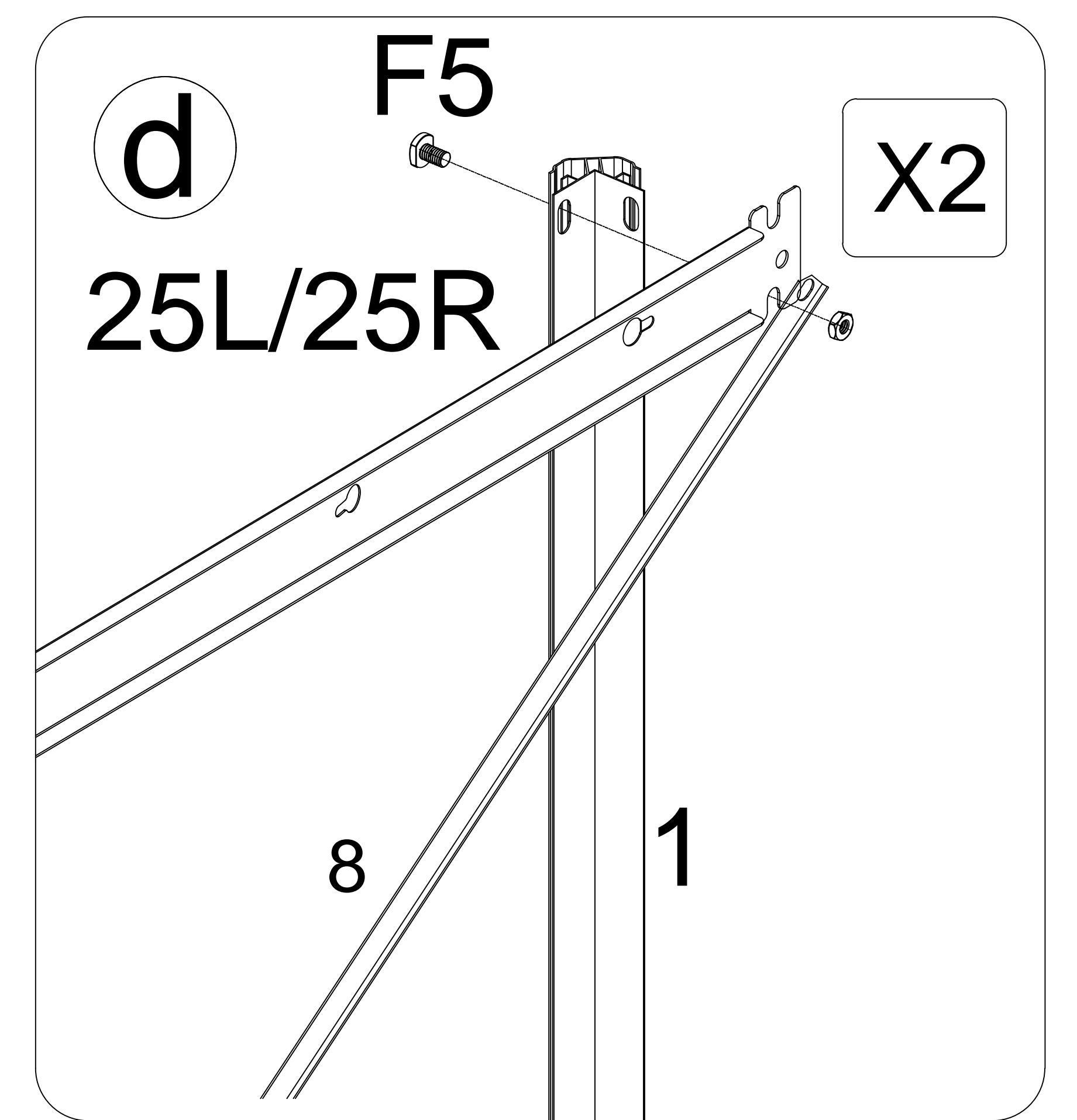
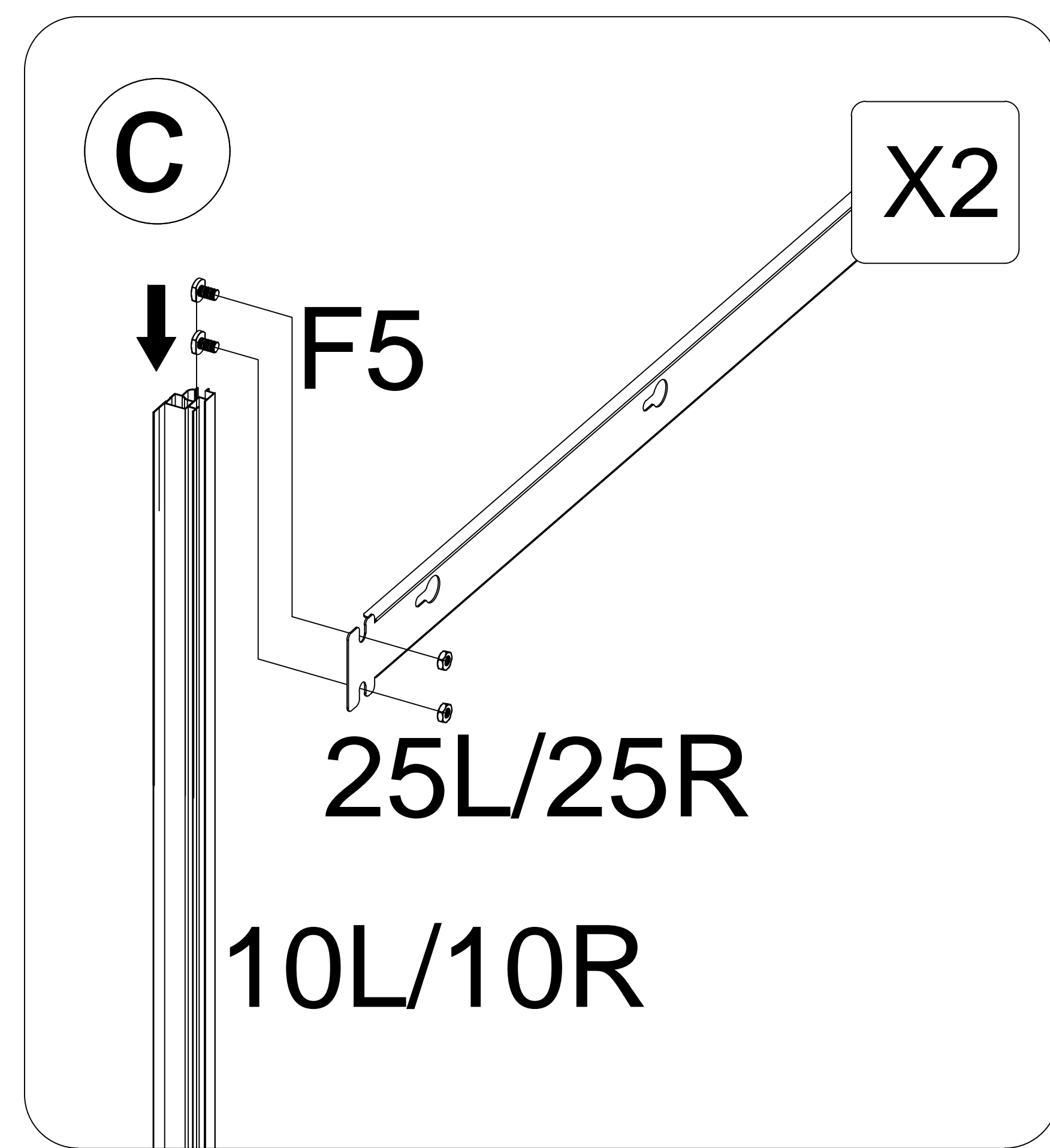
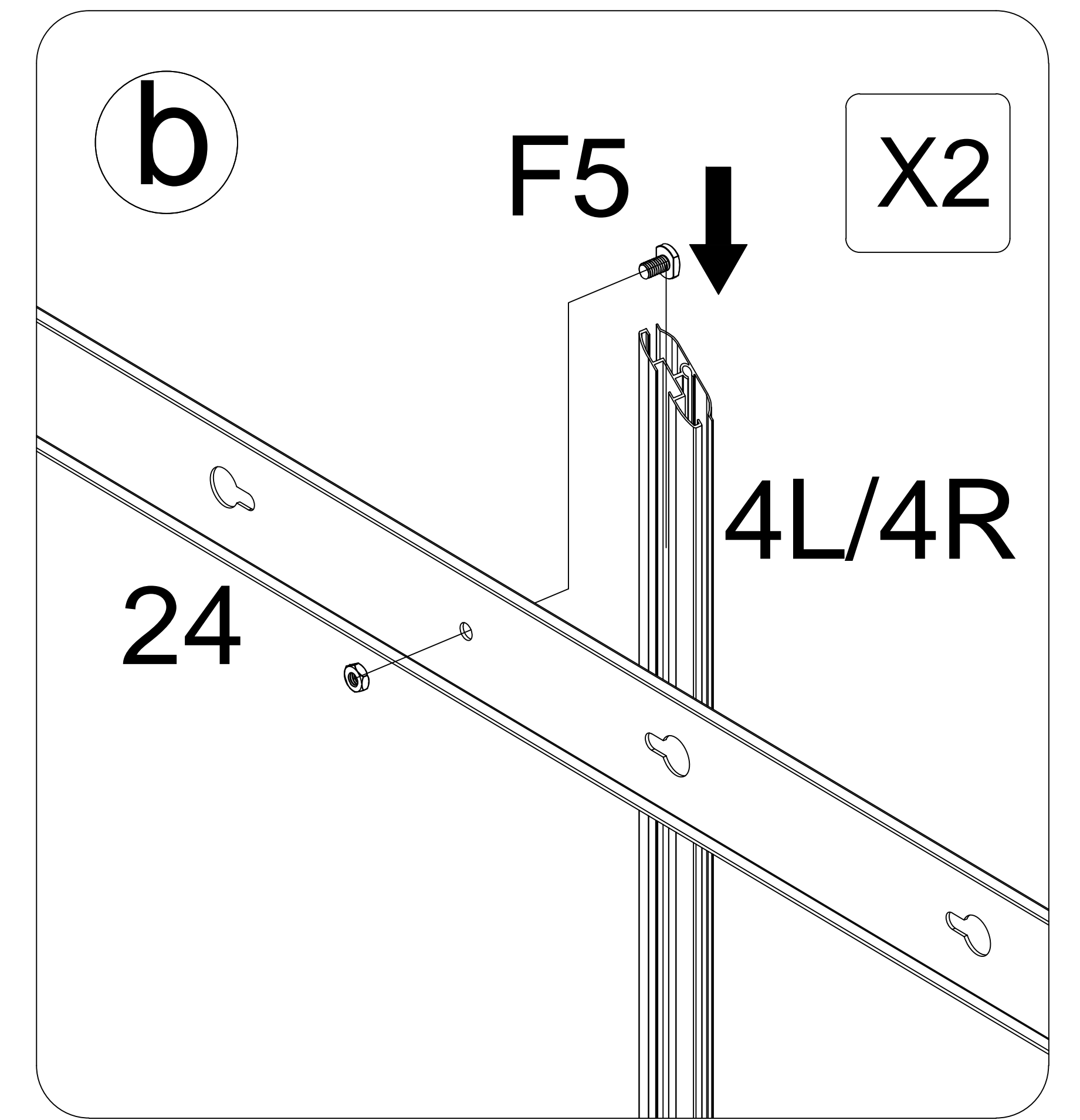
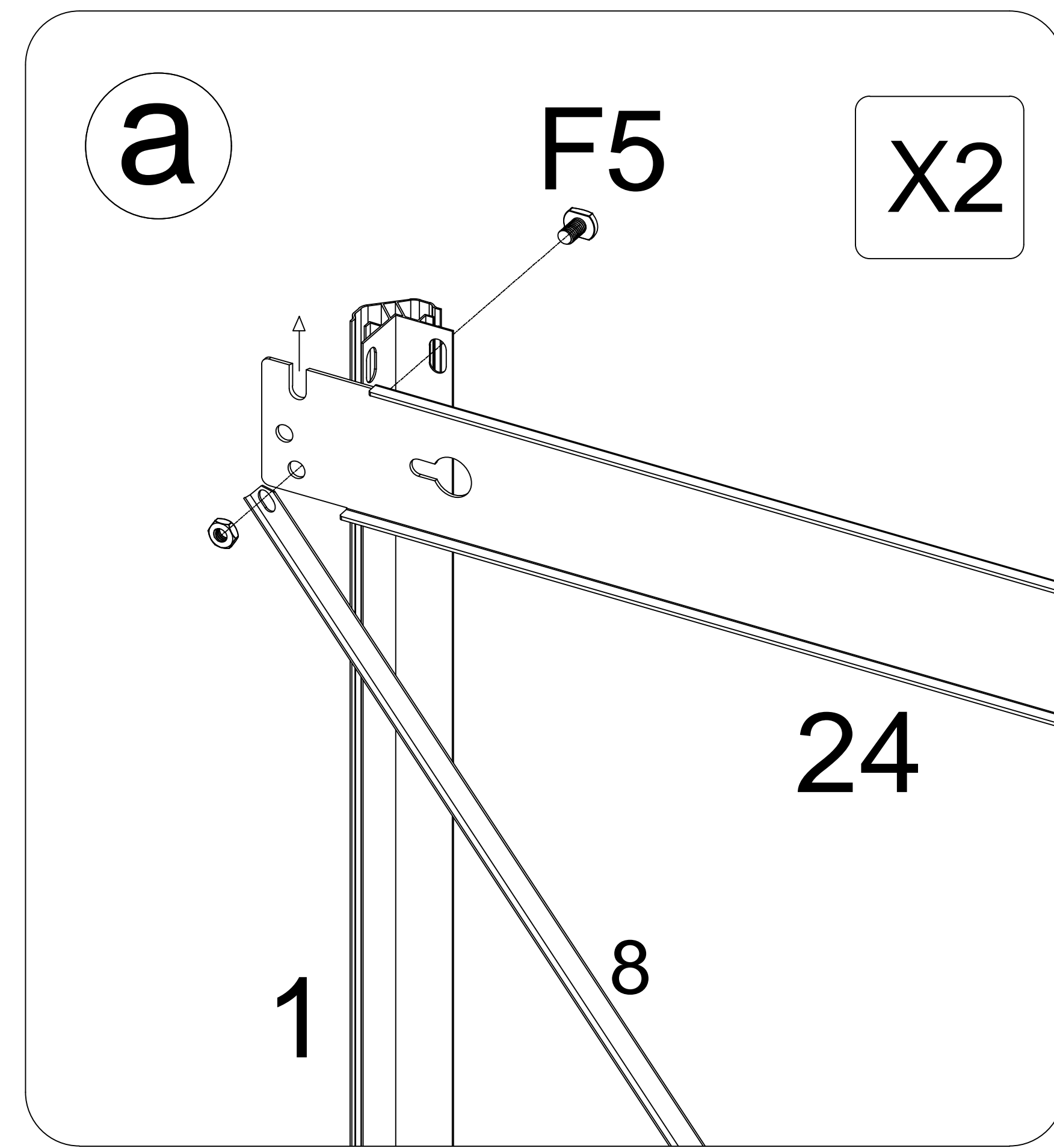
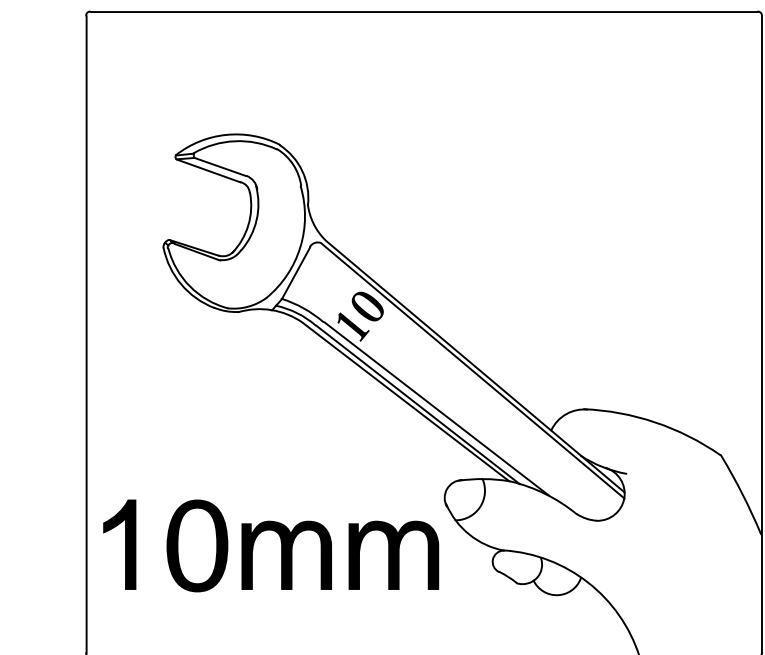
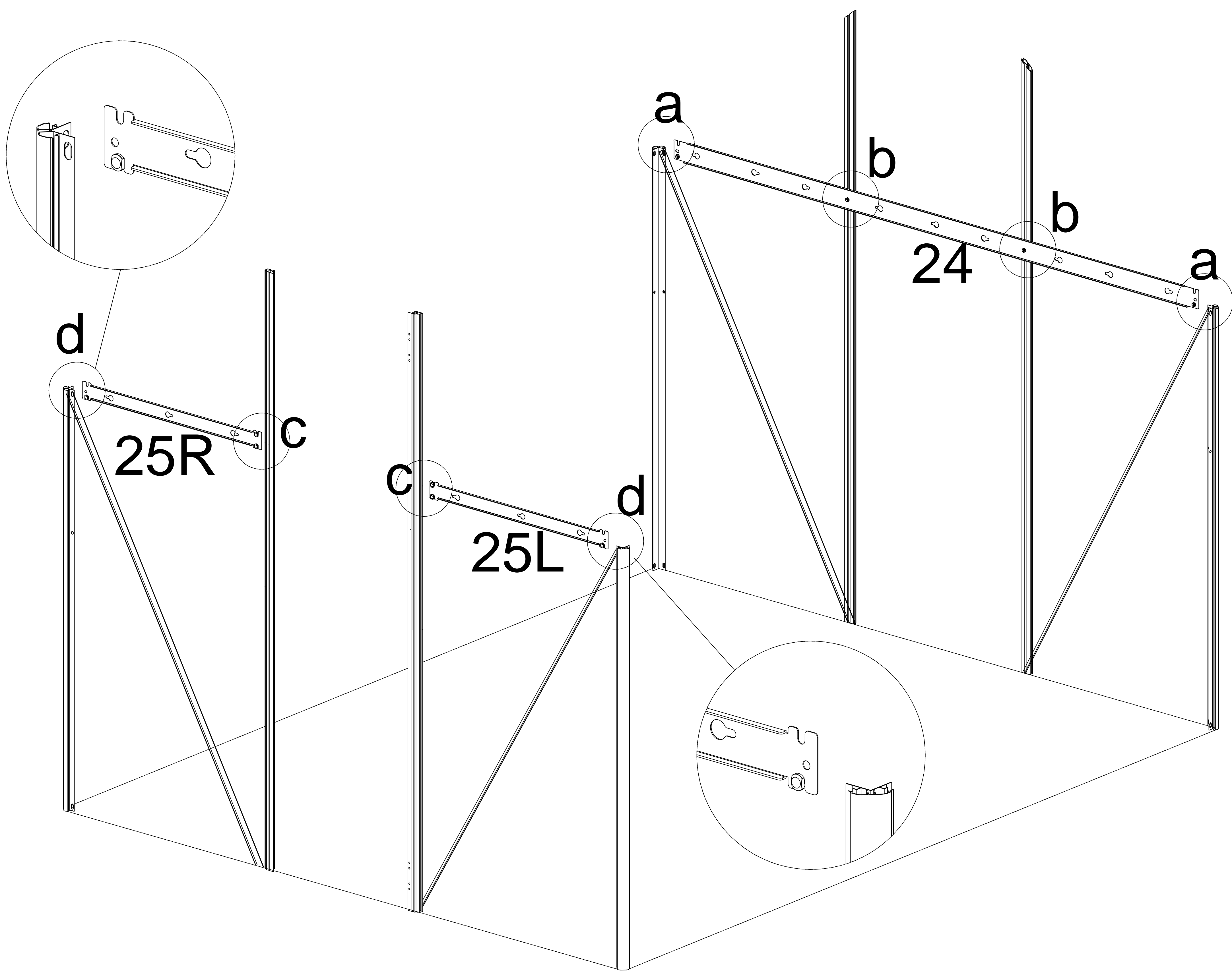
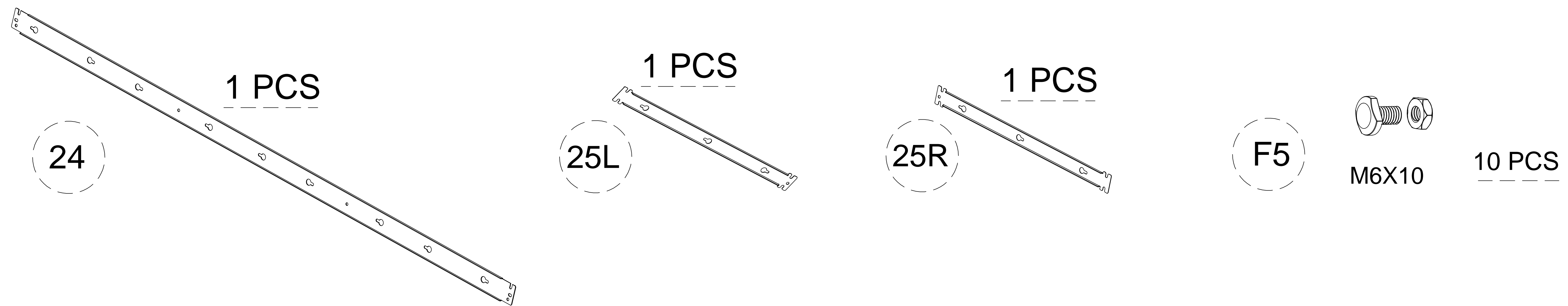
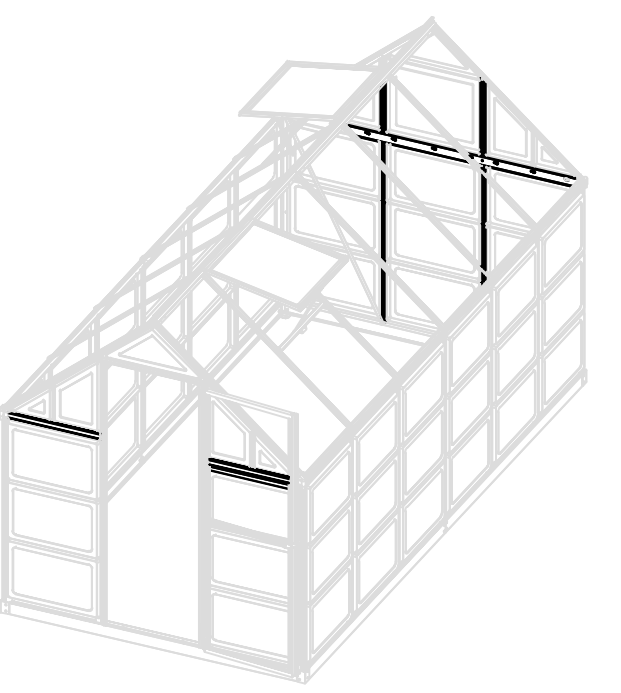


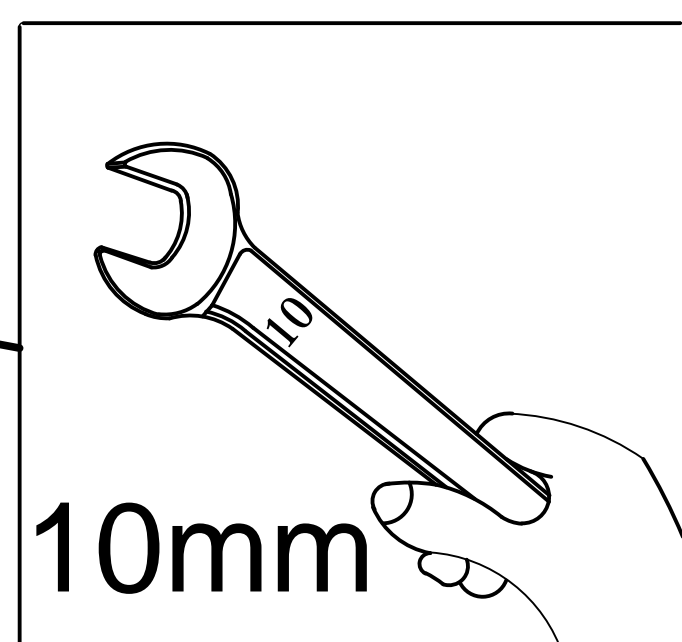
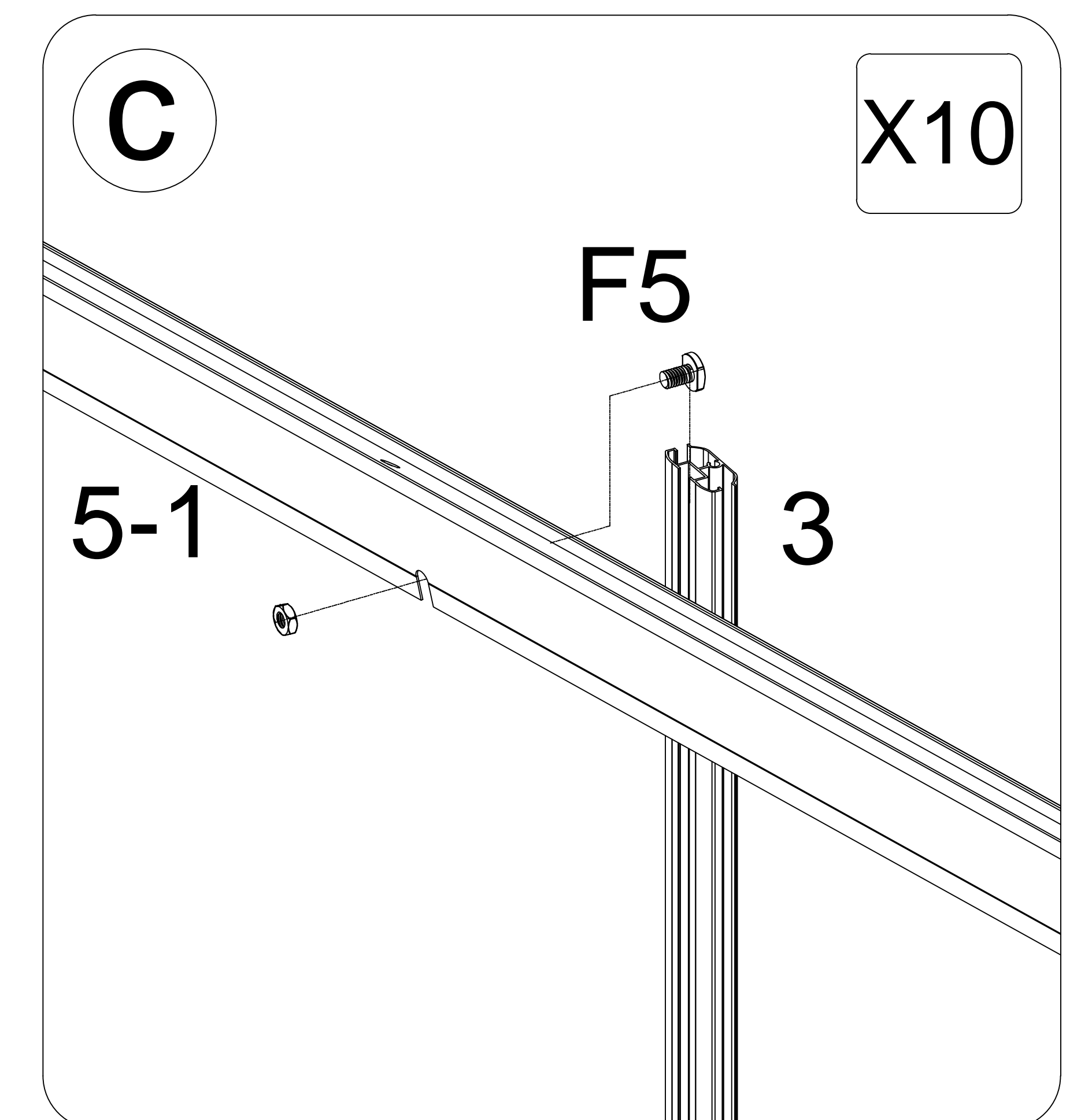
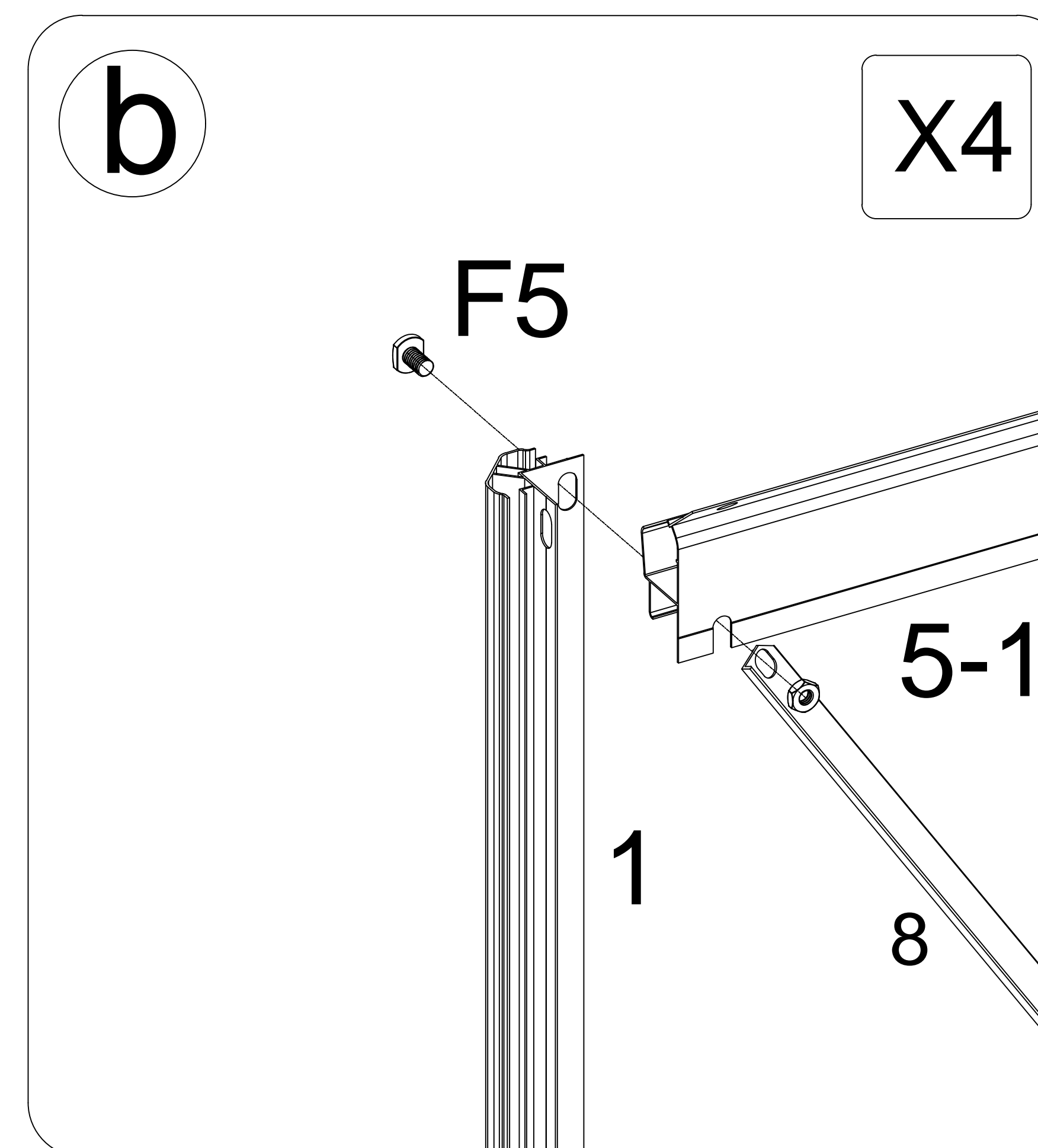
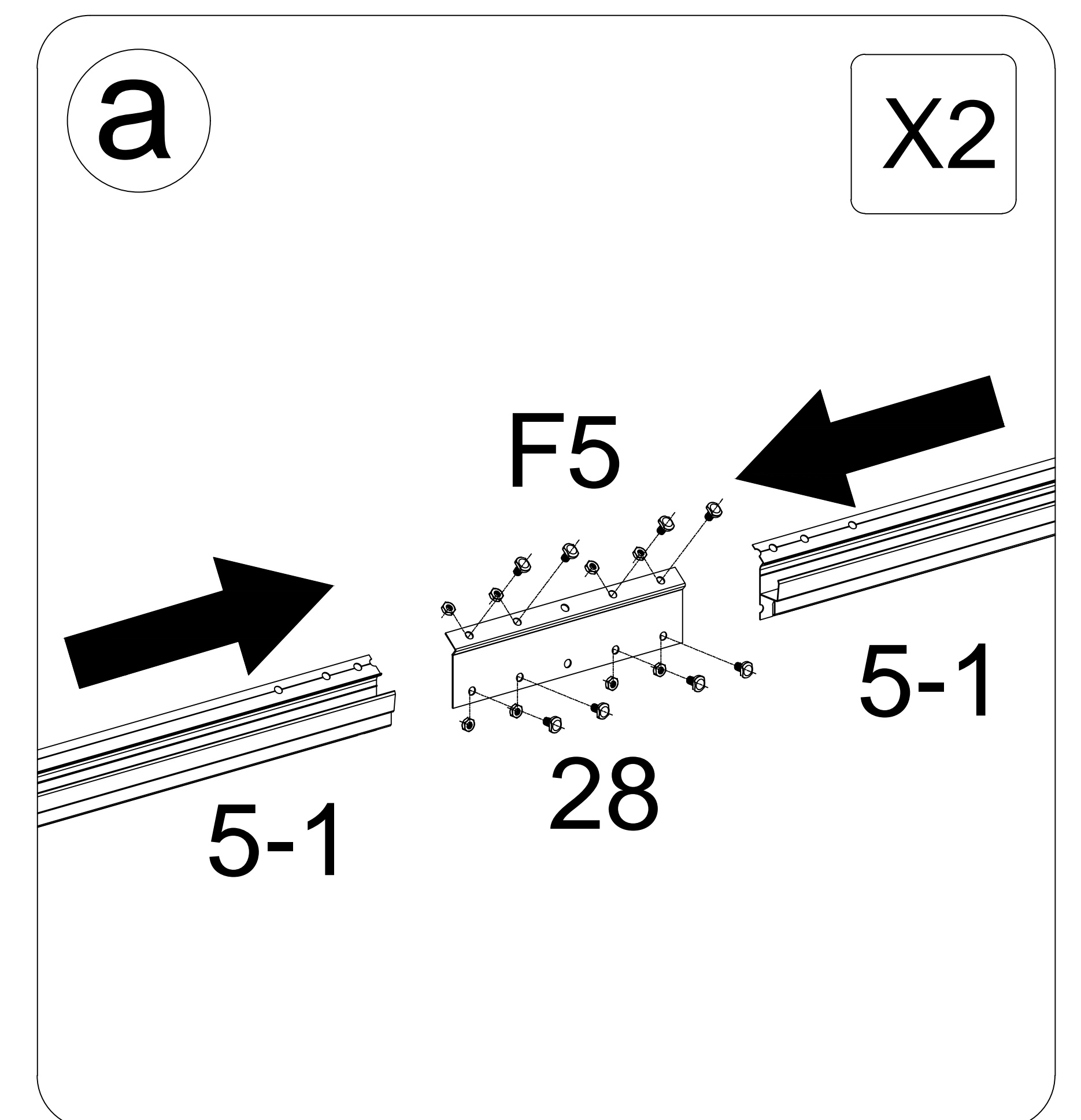
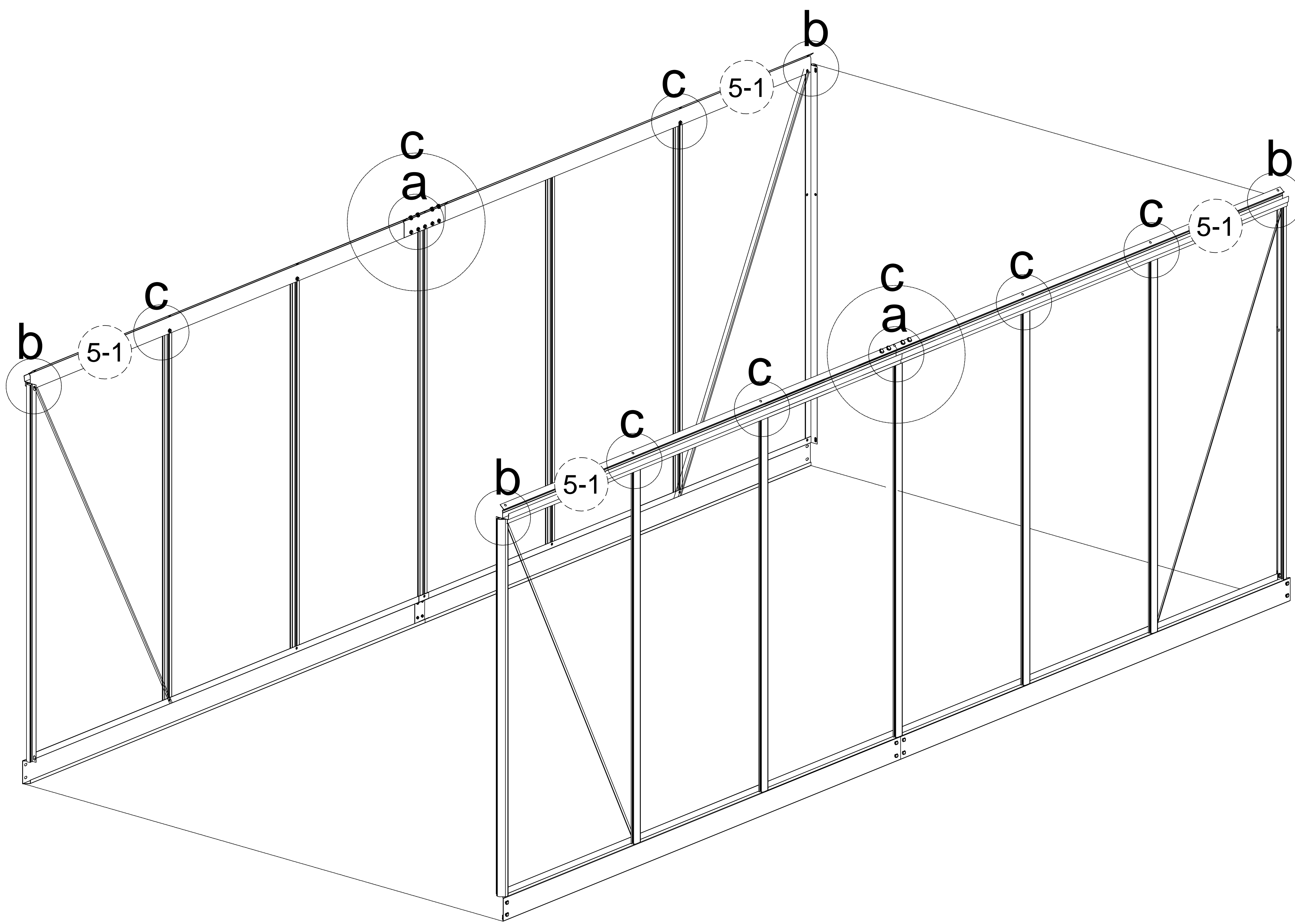
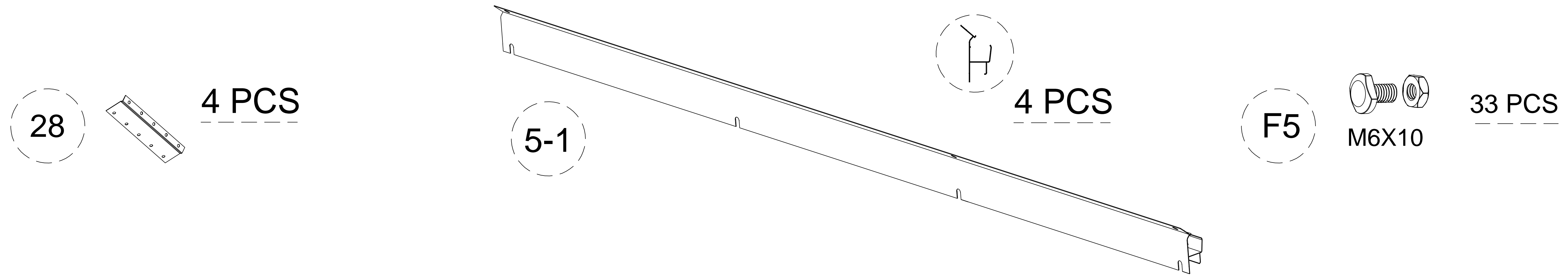
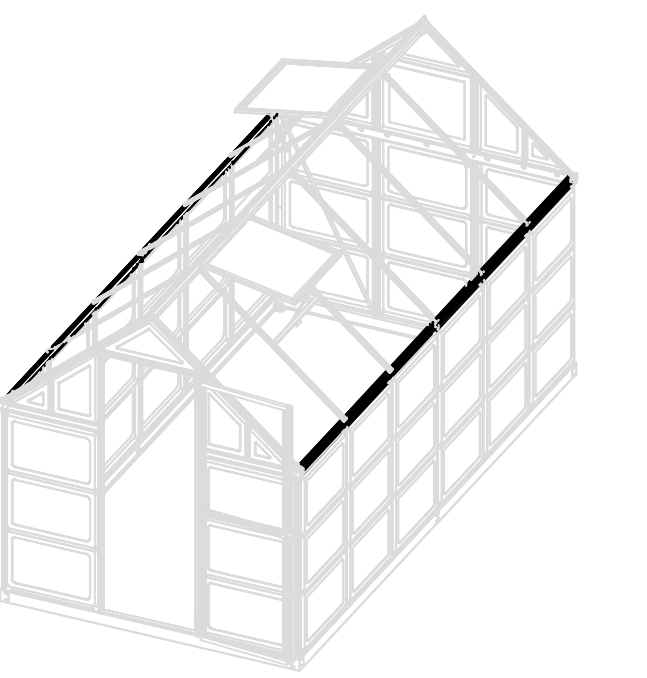
P3
17 PCS

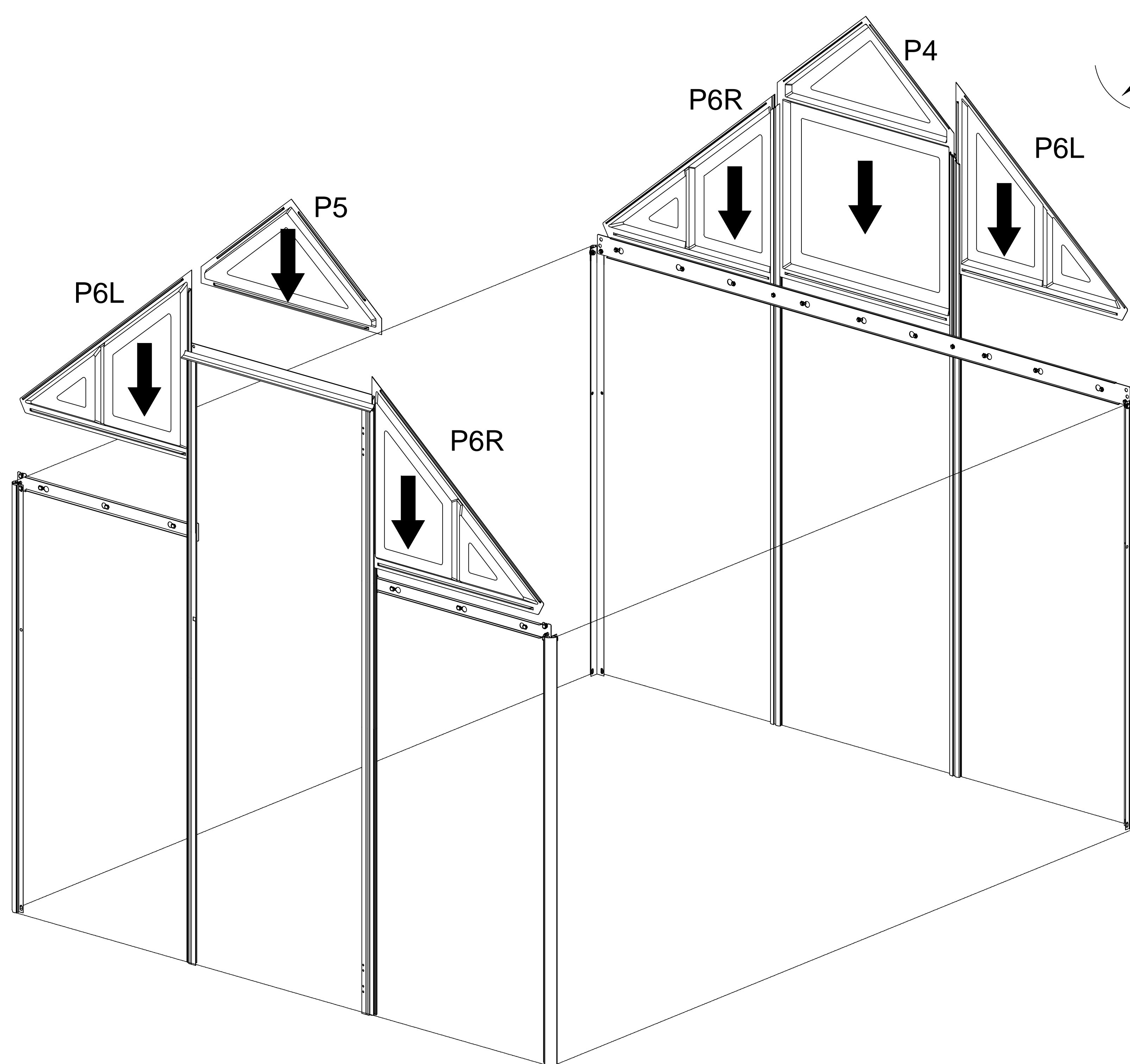
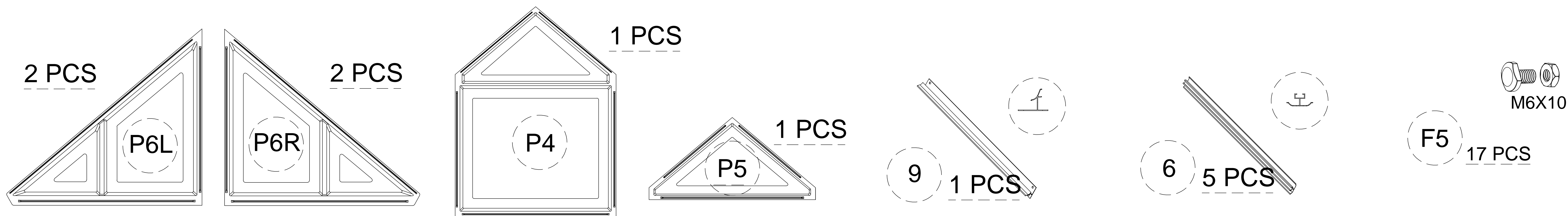
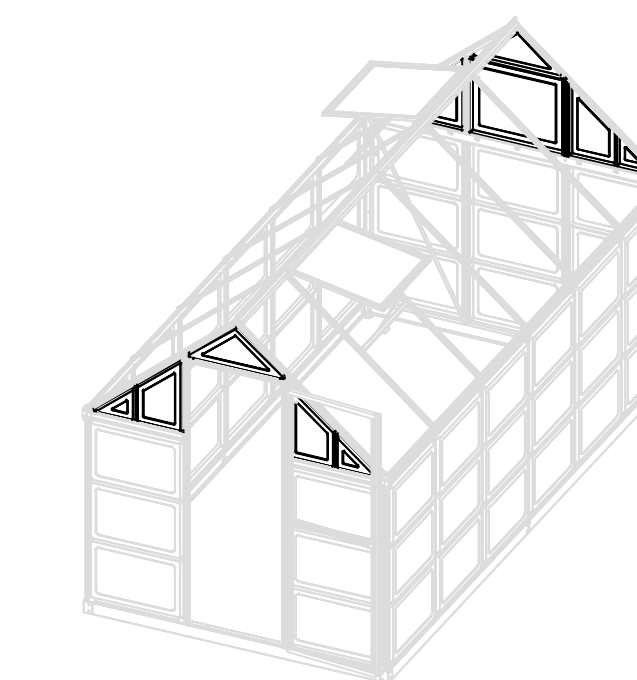


Remove the protect film

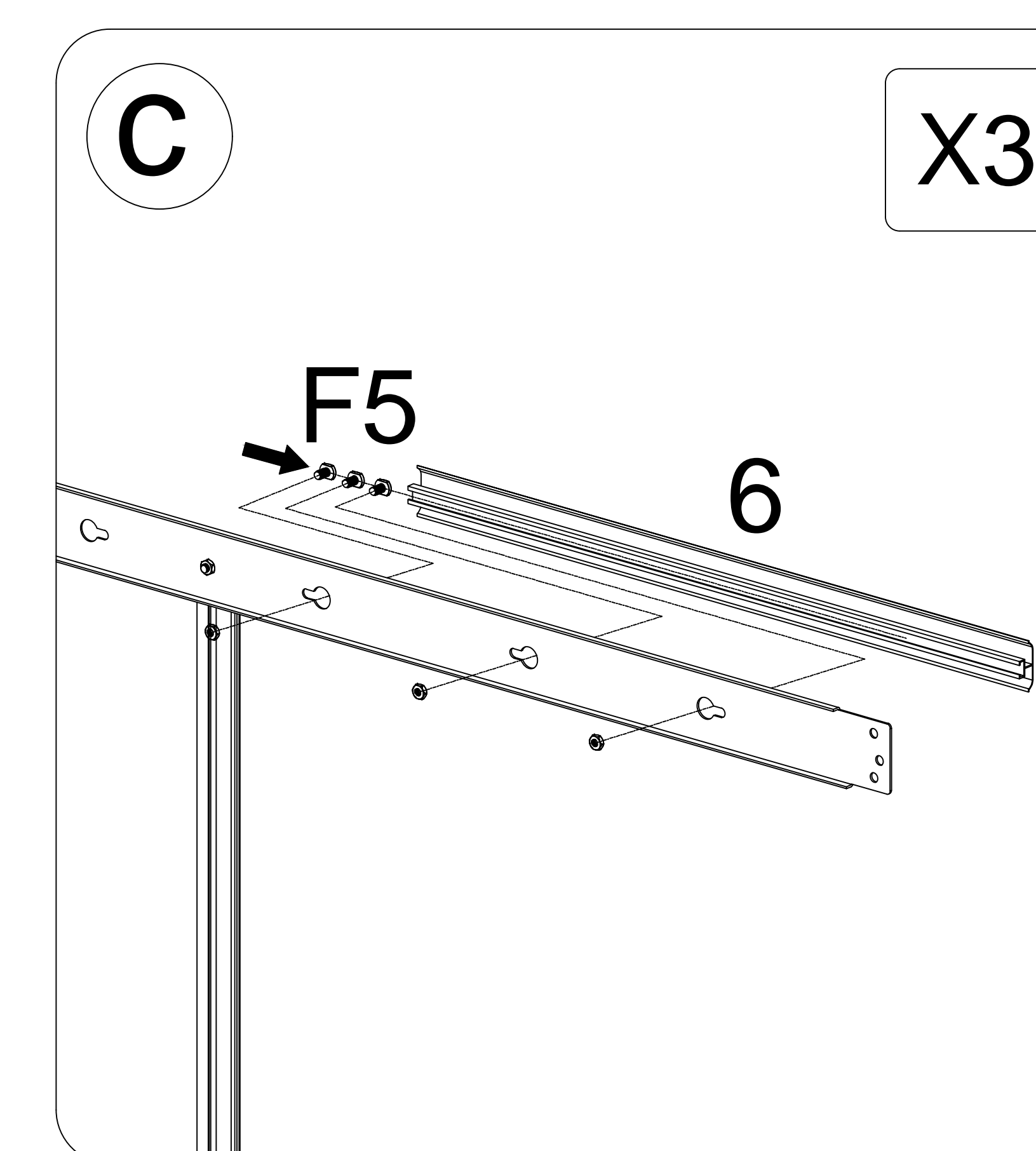
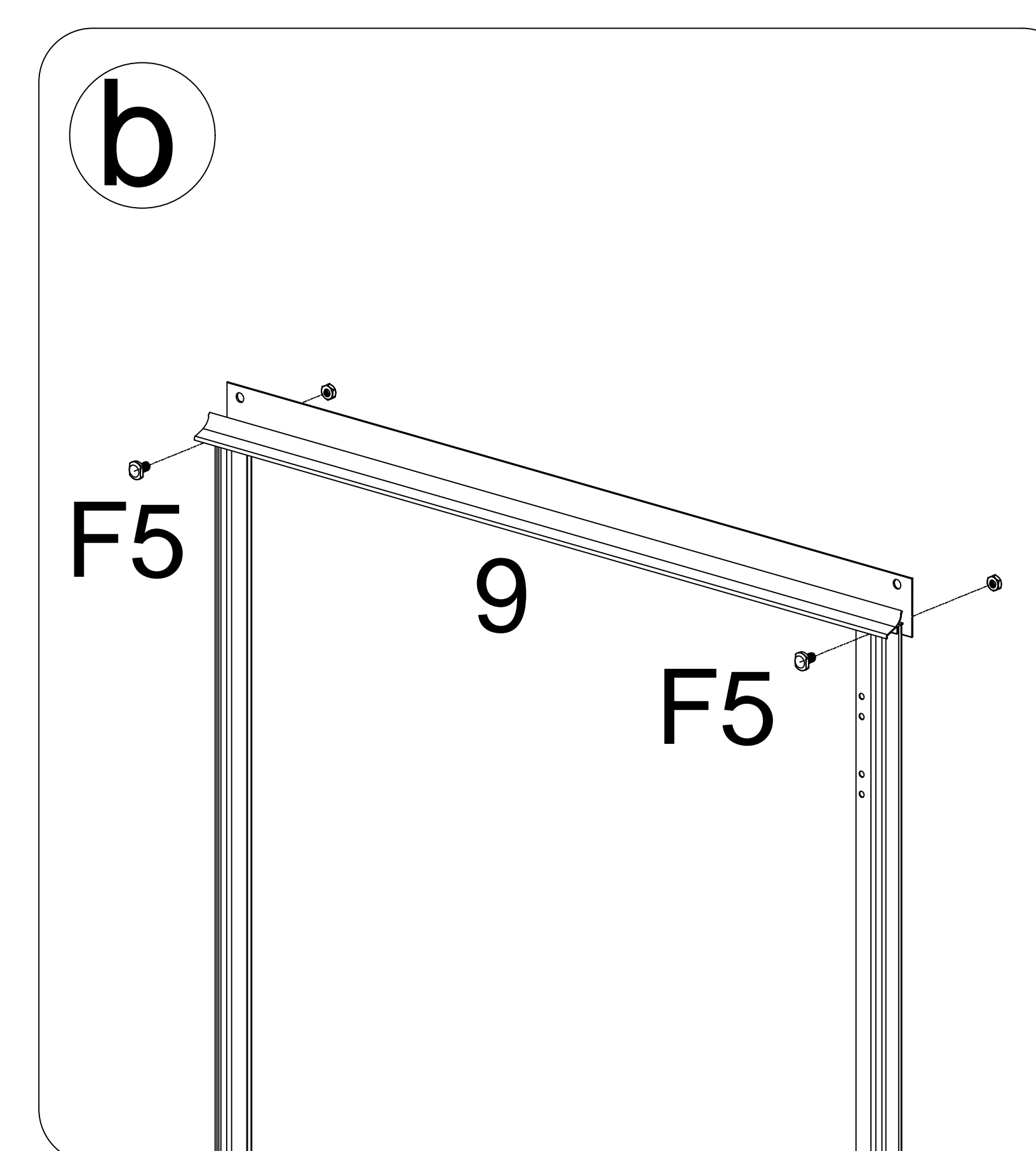
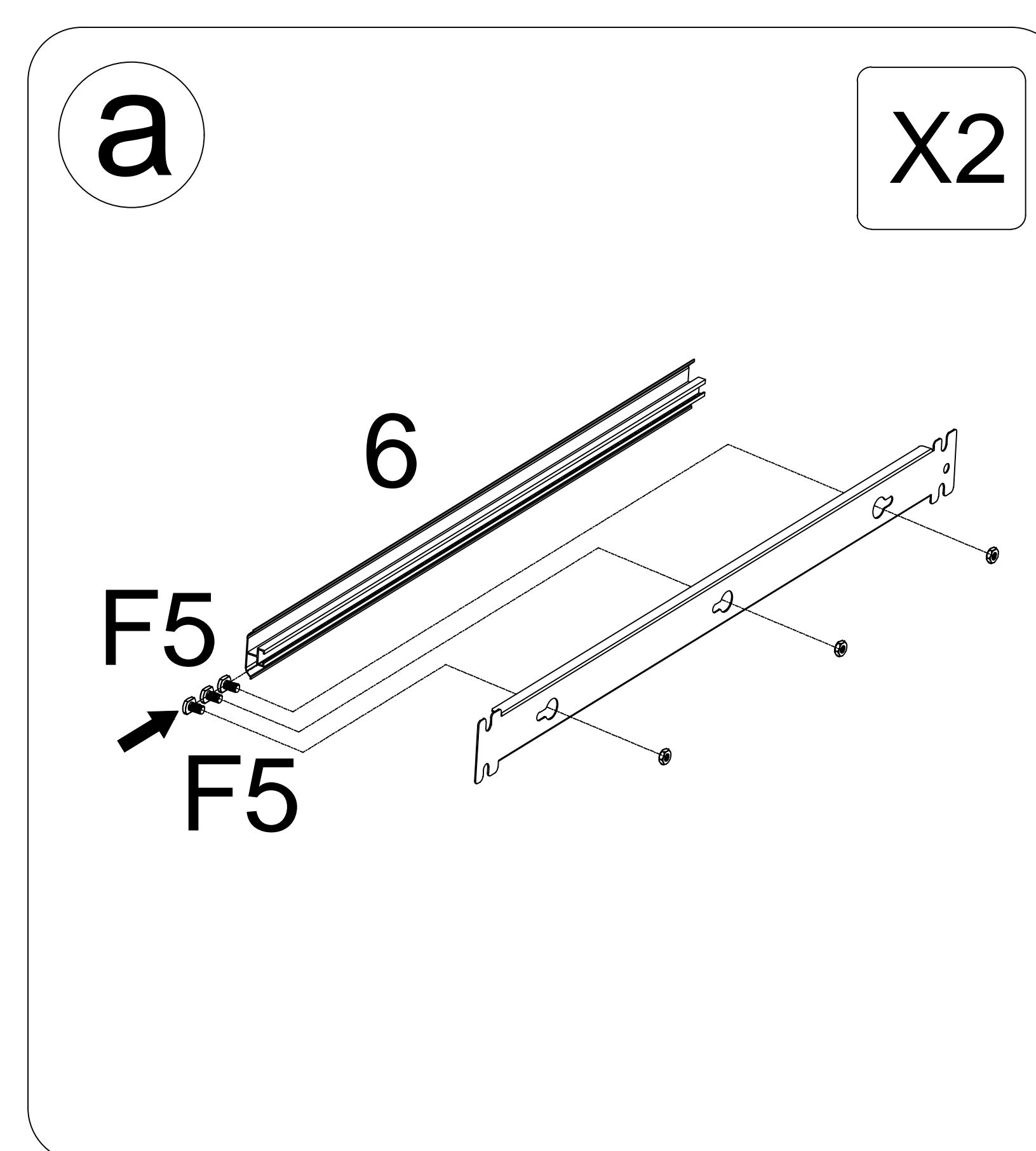
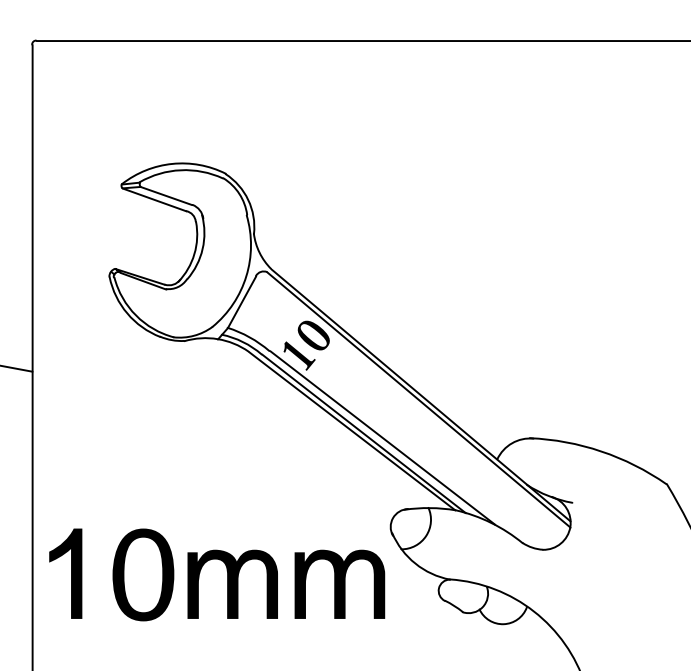
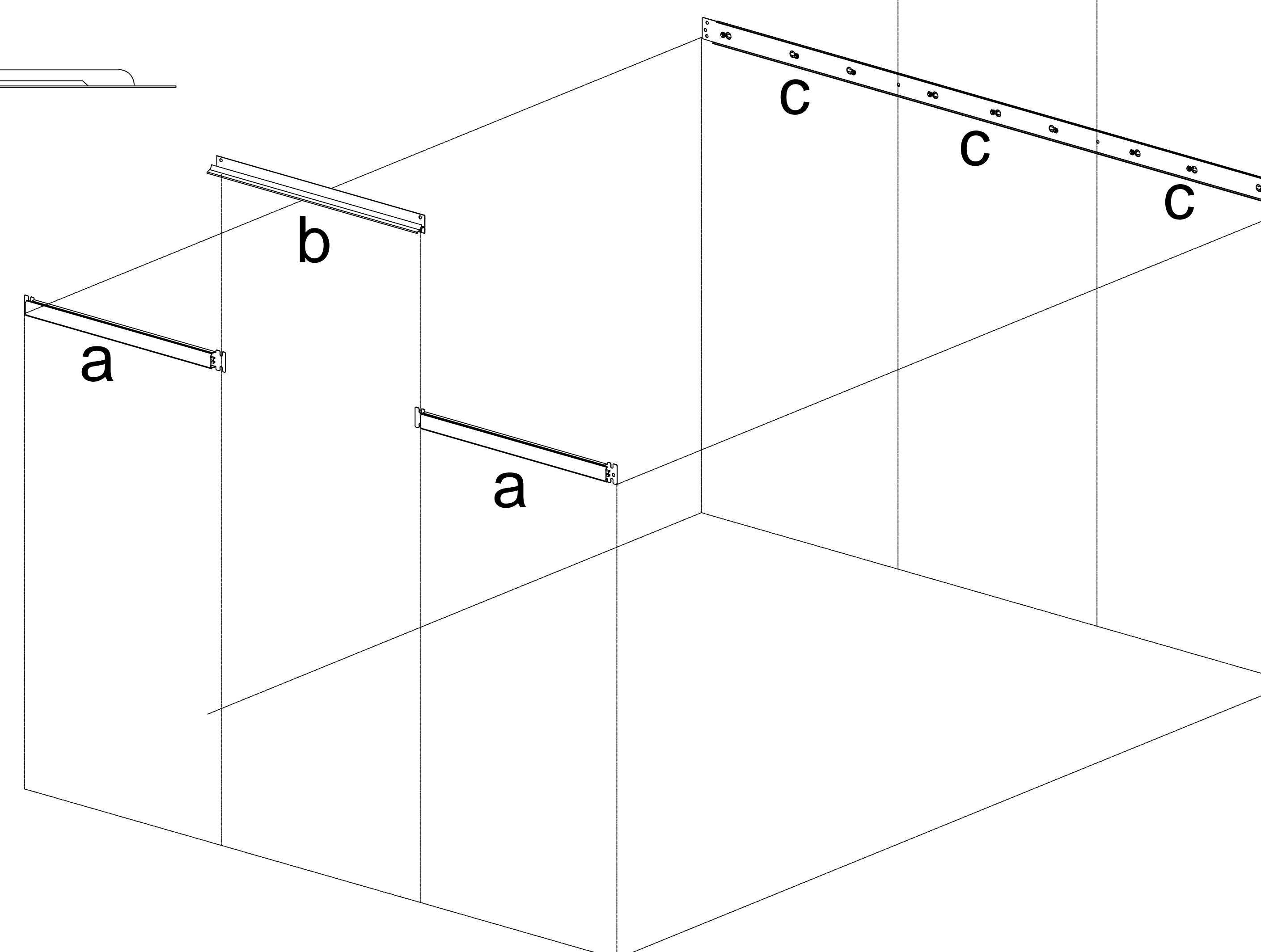


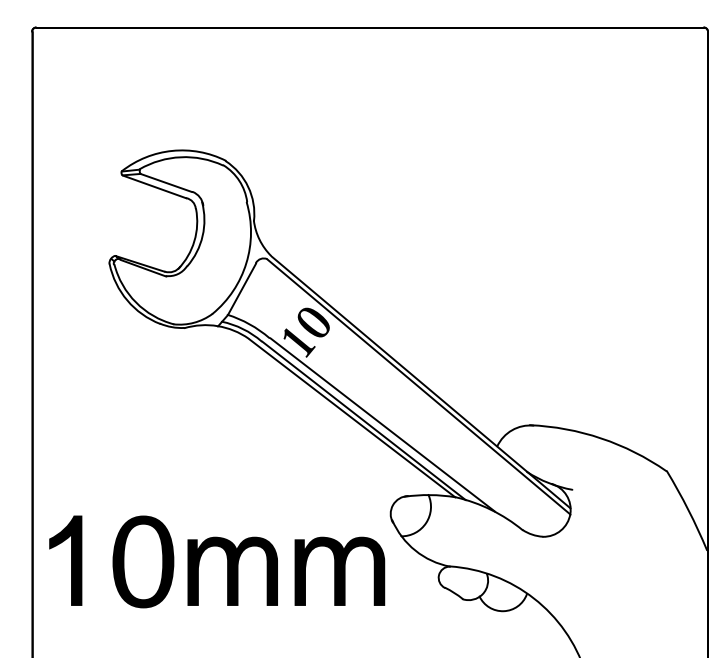
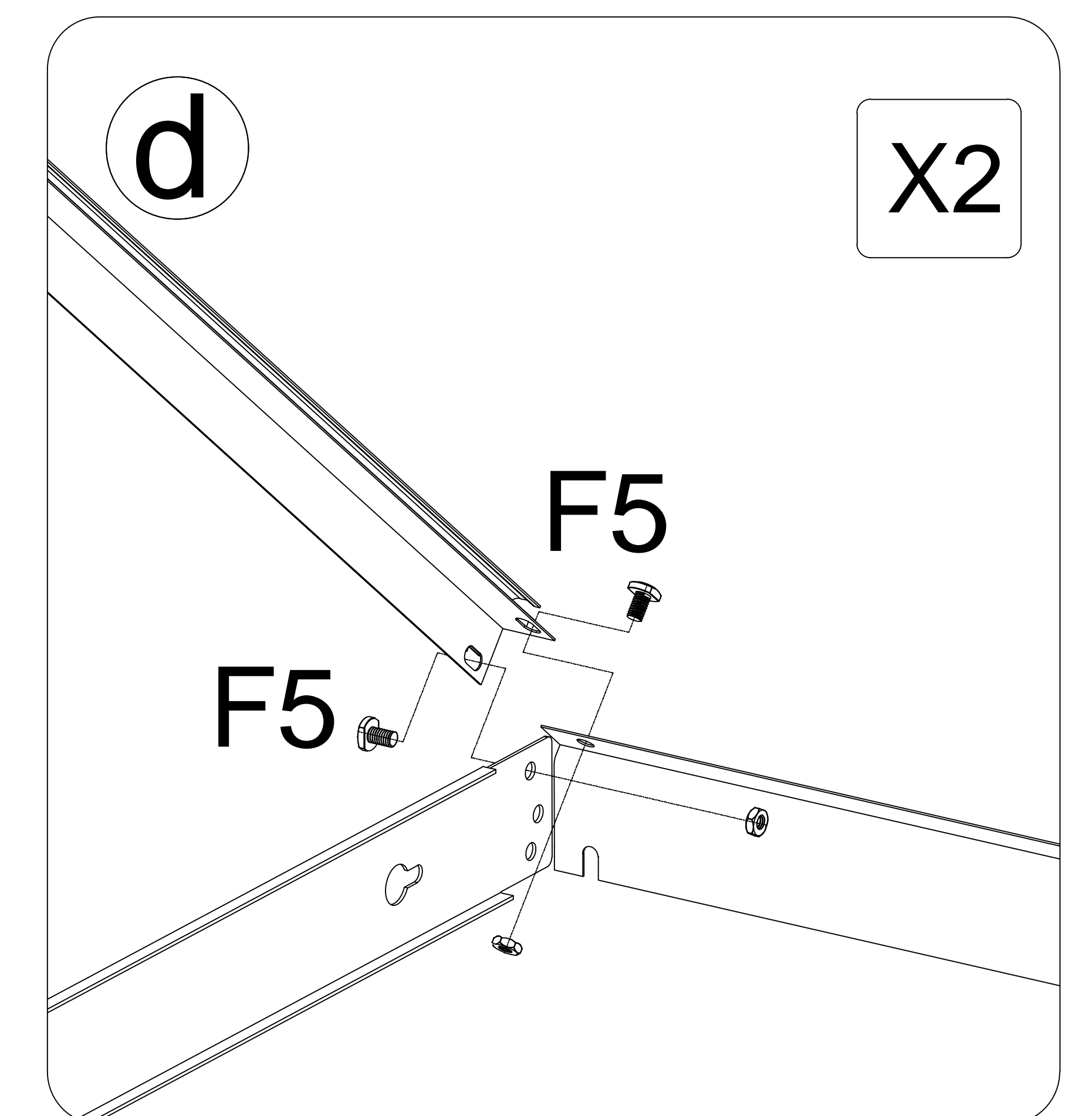
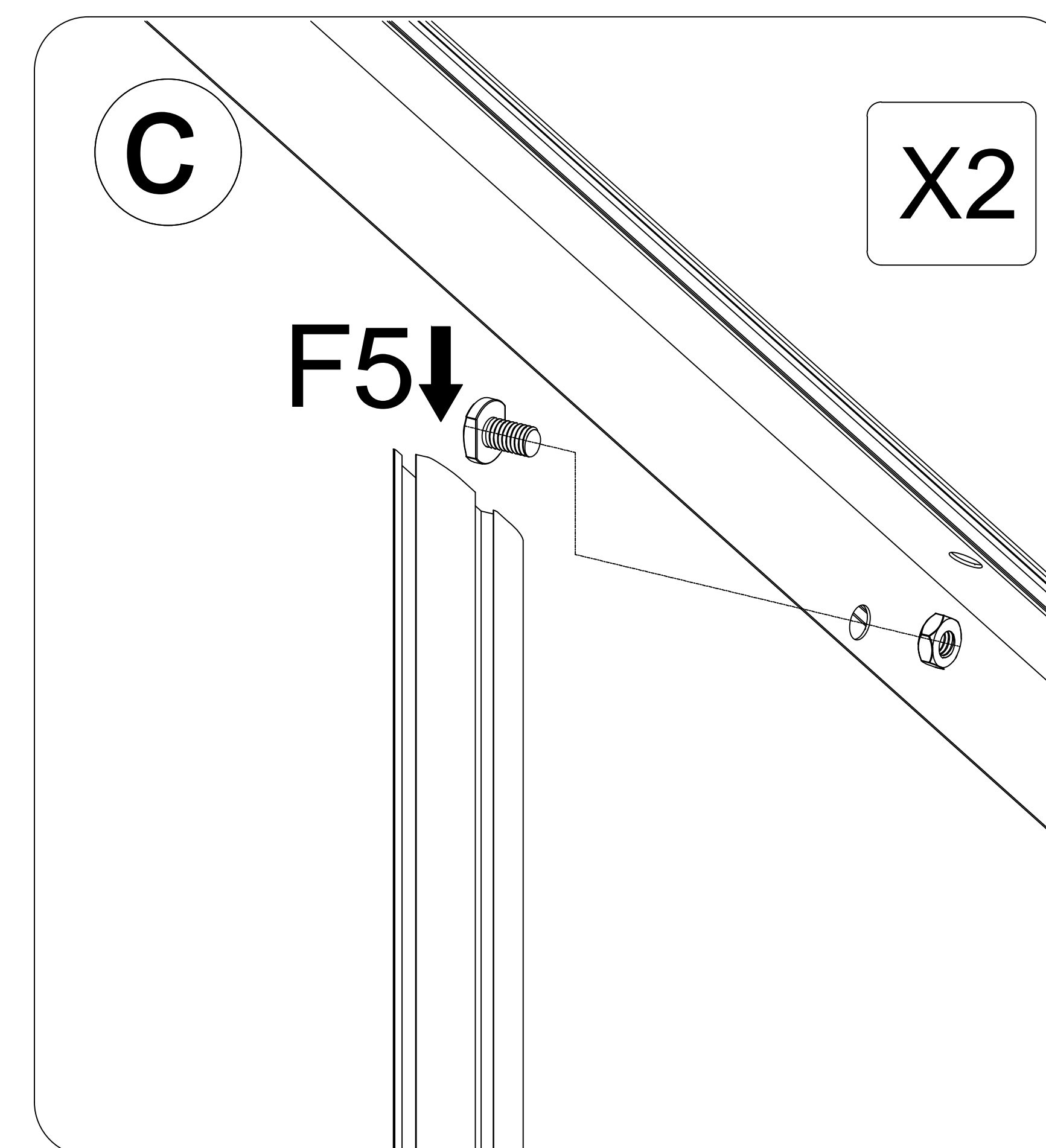
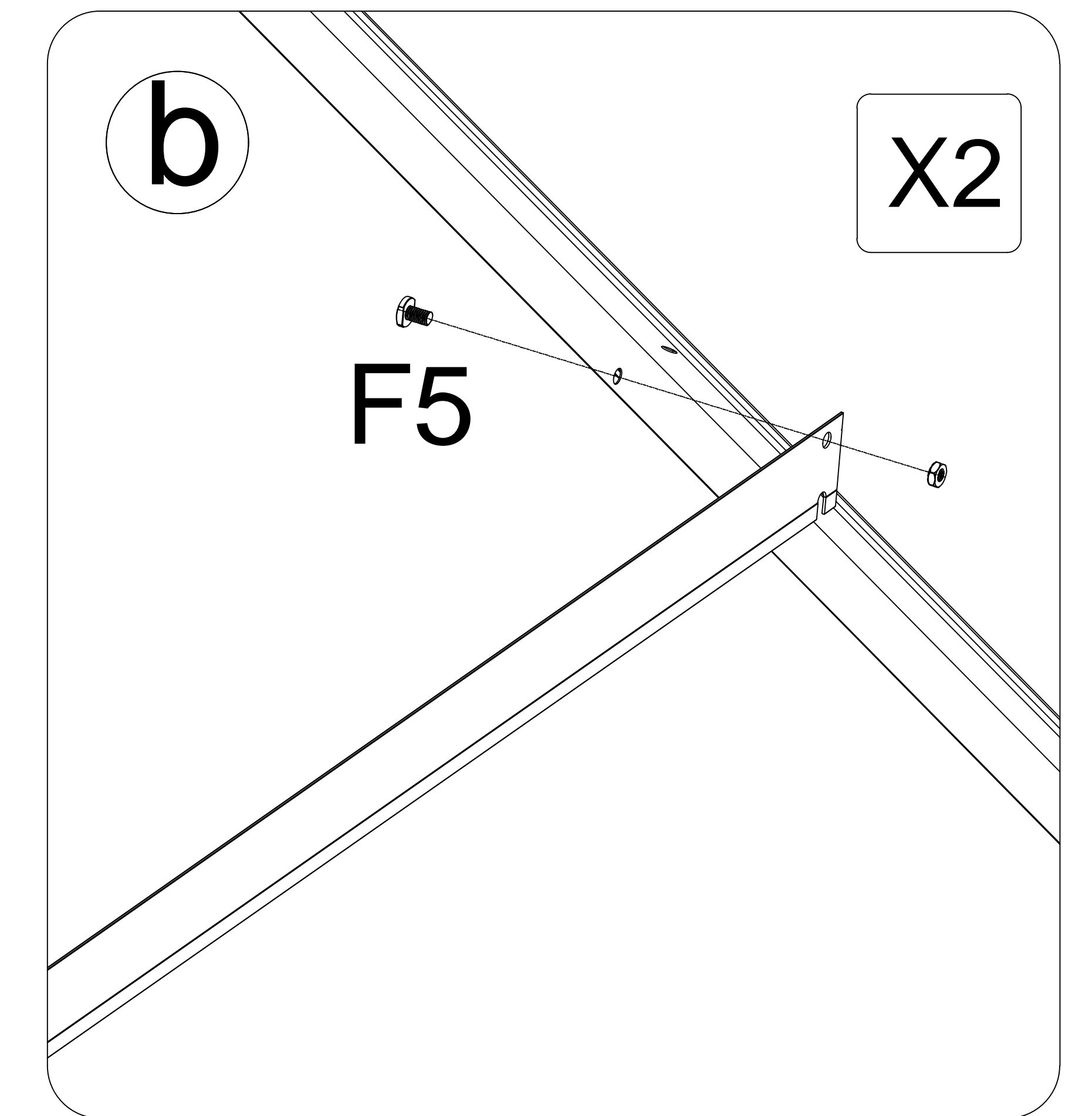
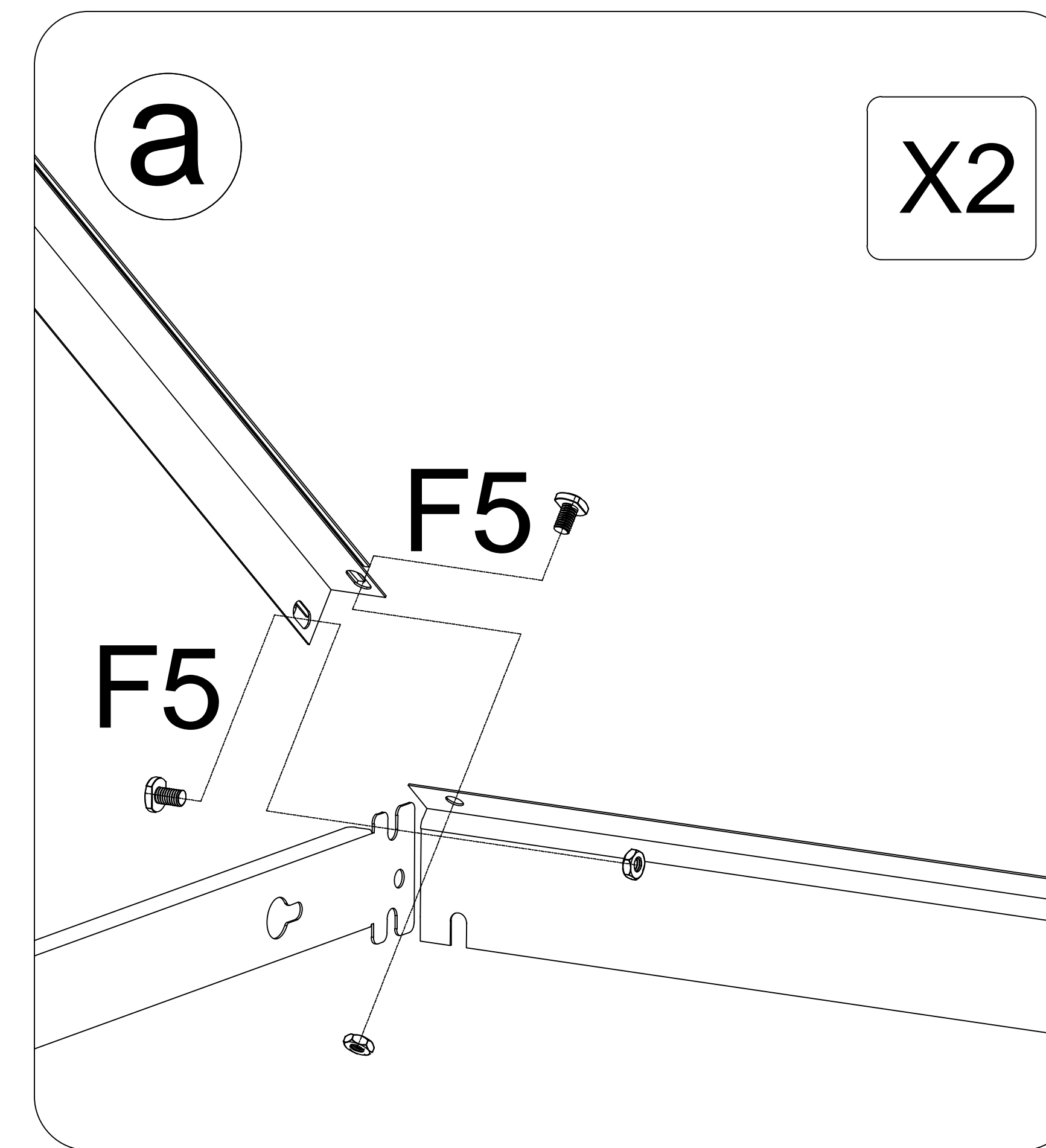
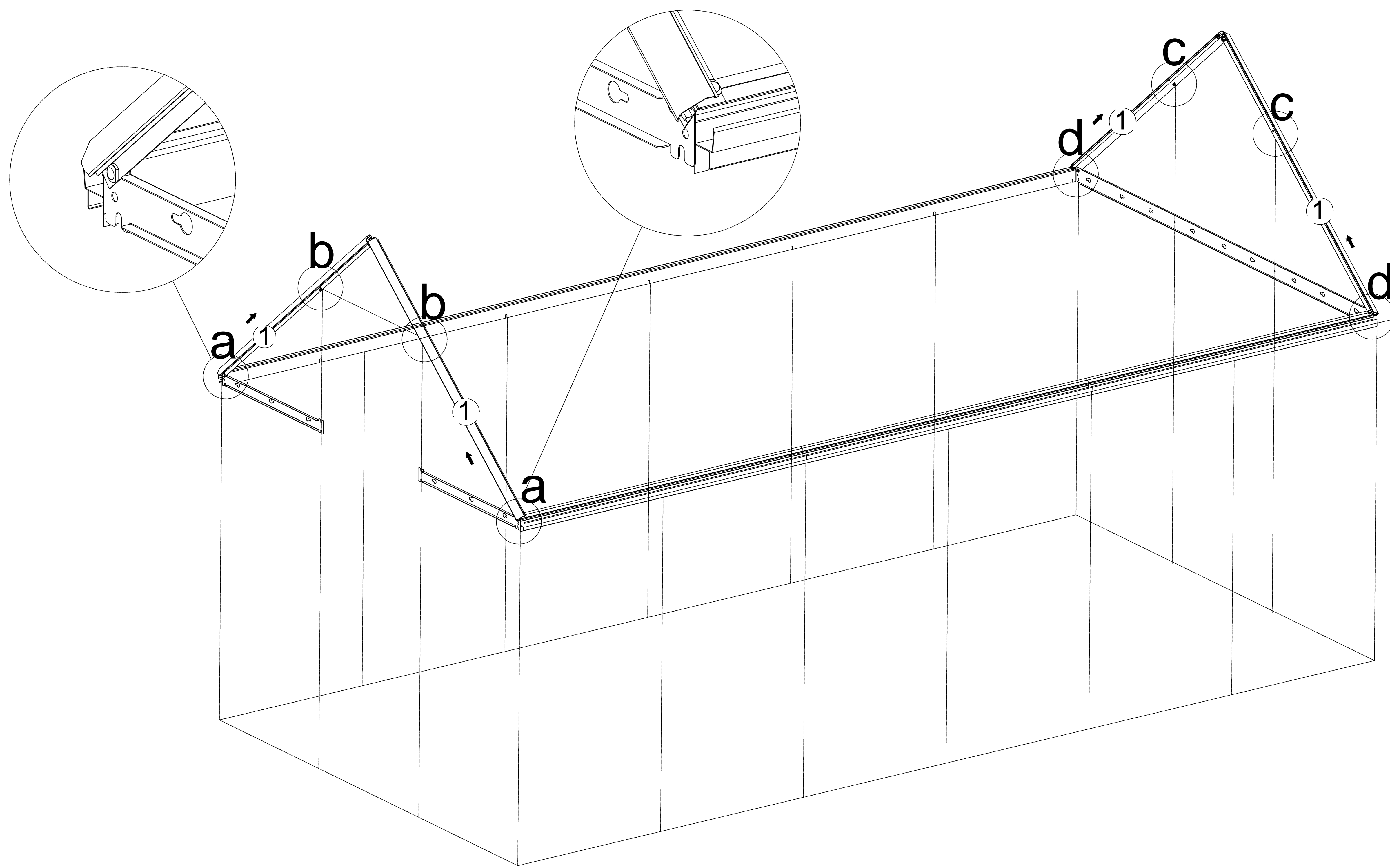
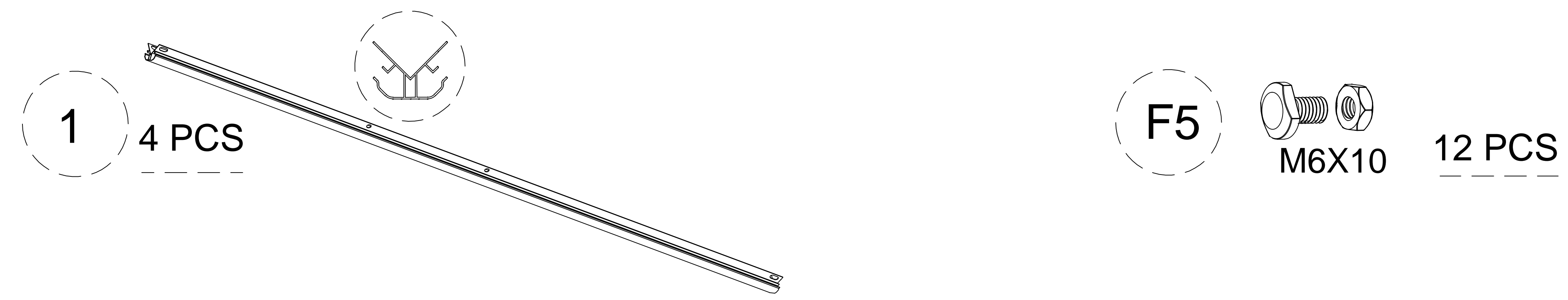
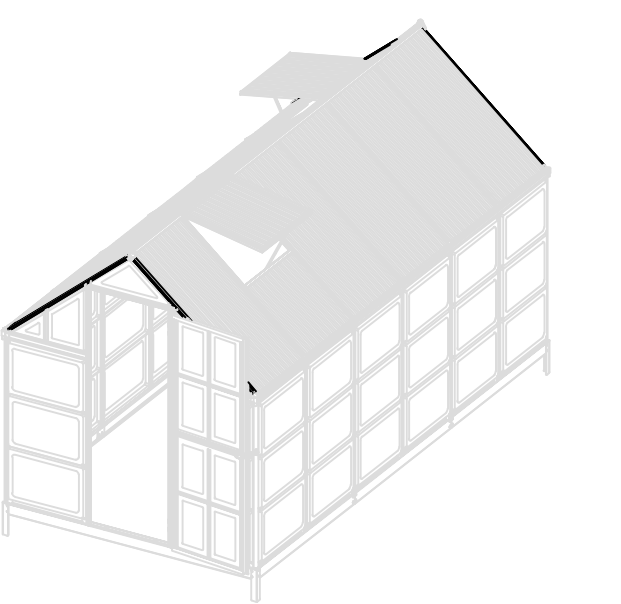


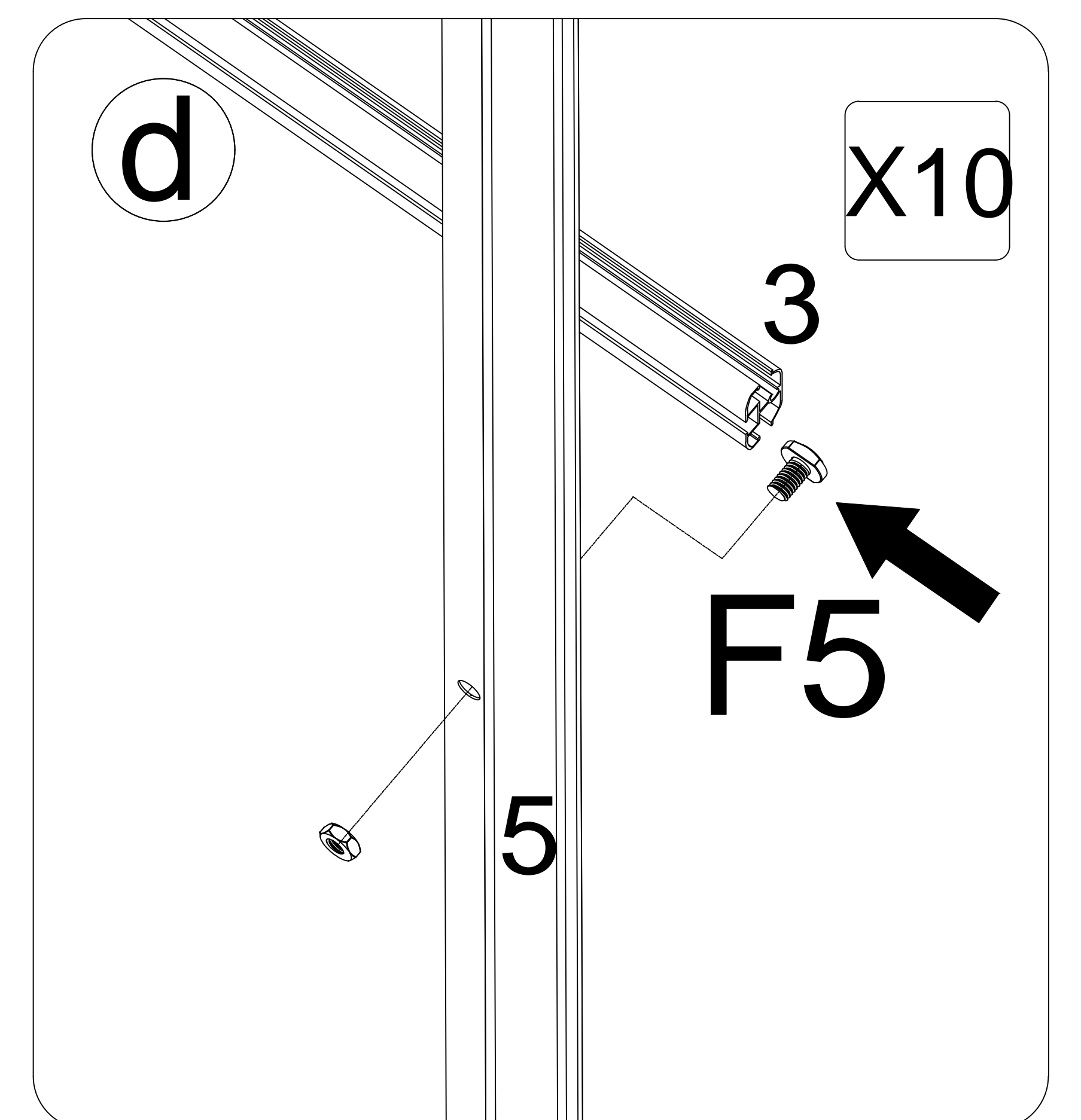
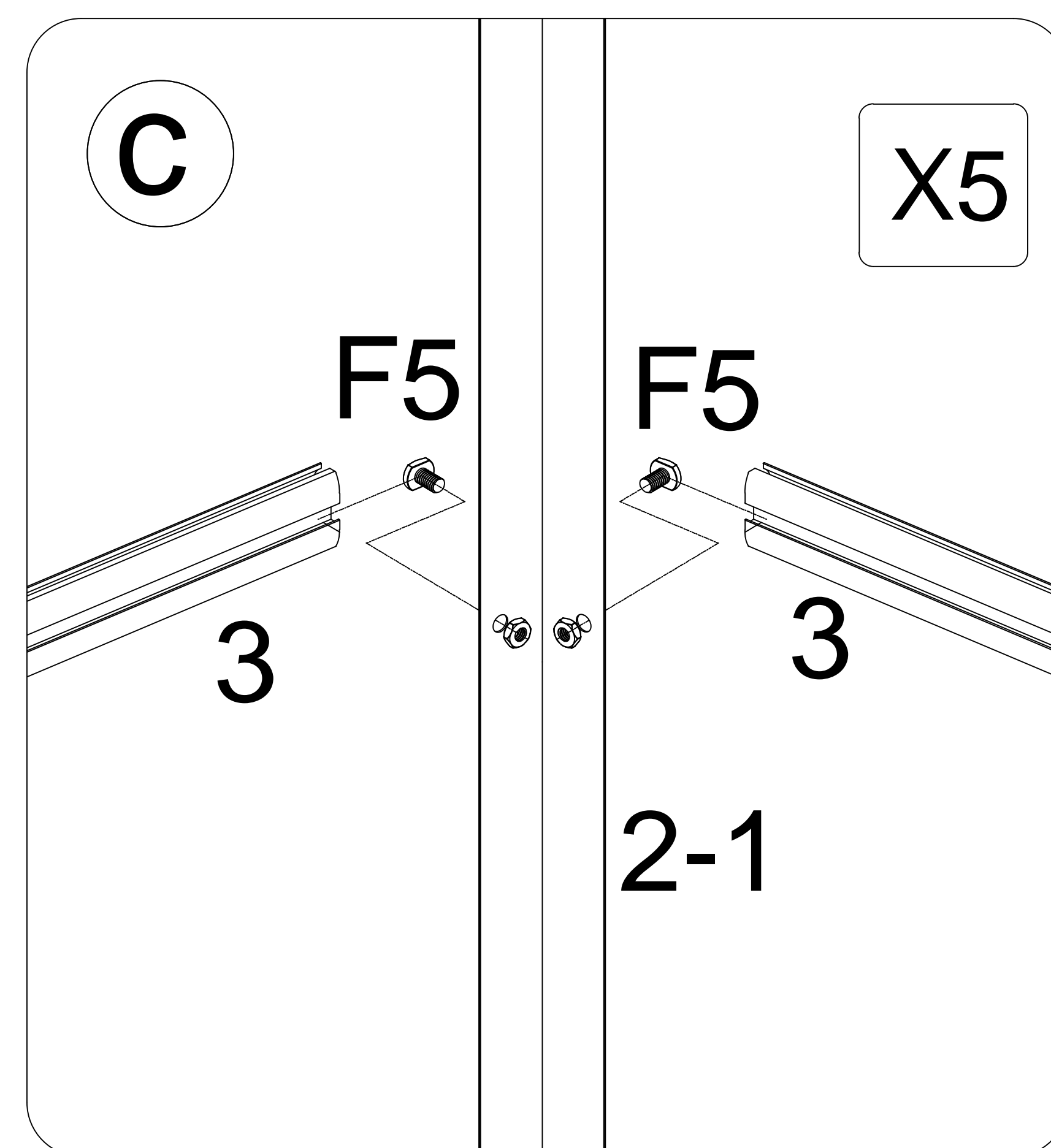
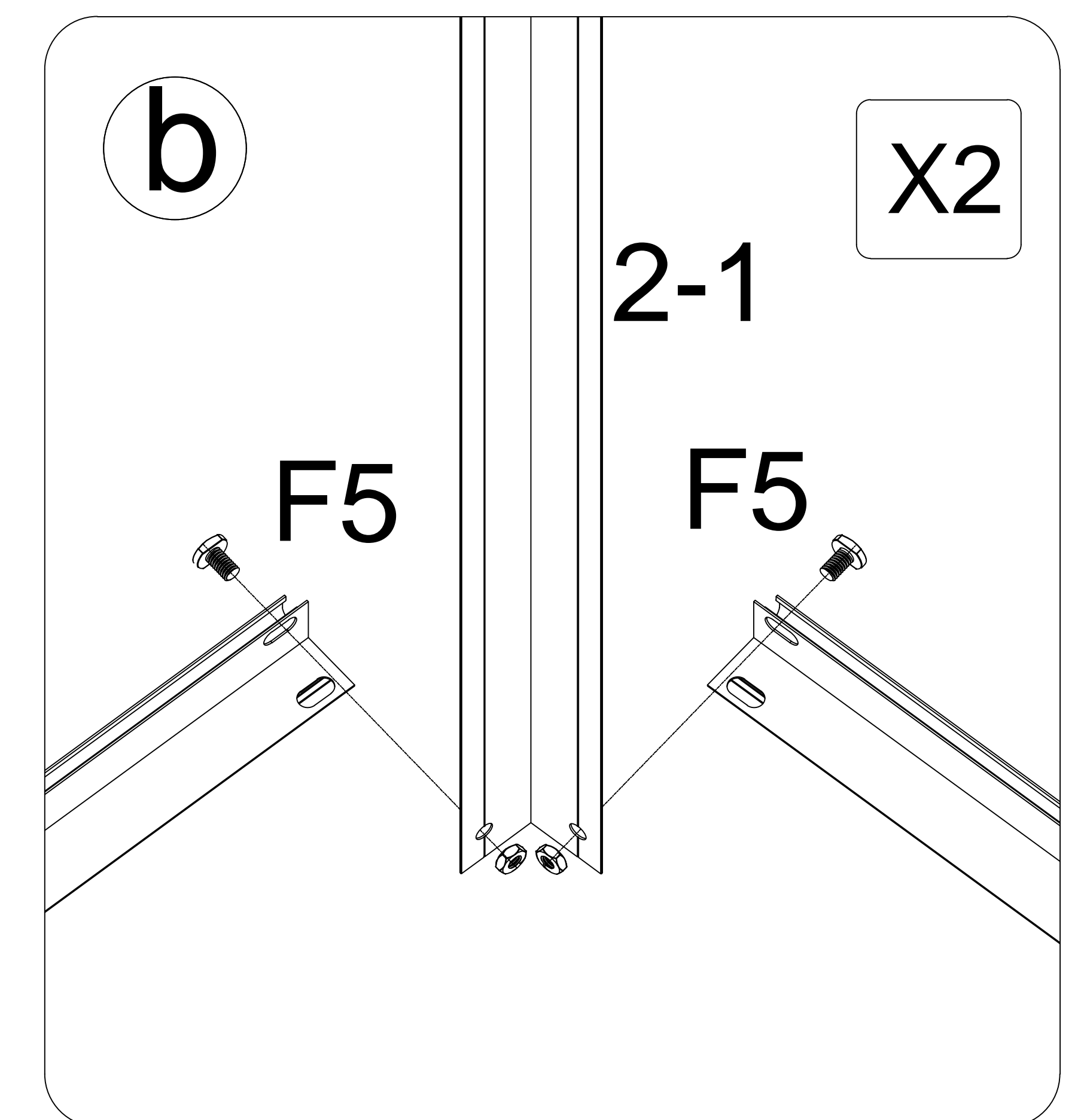
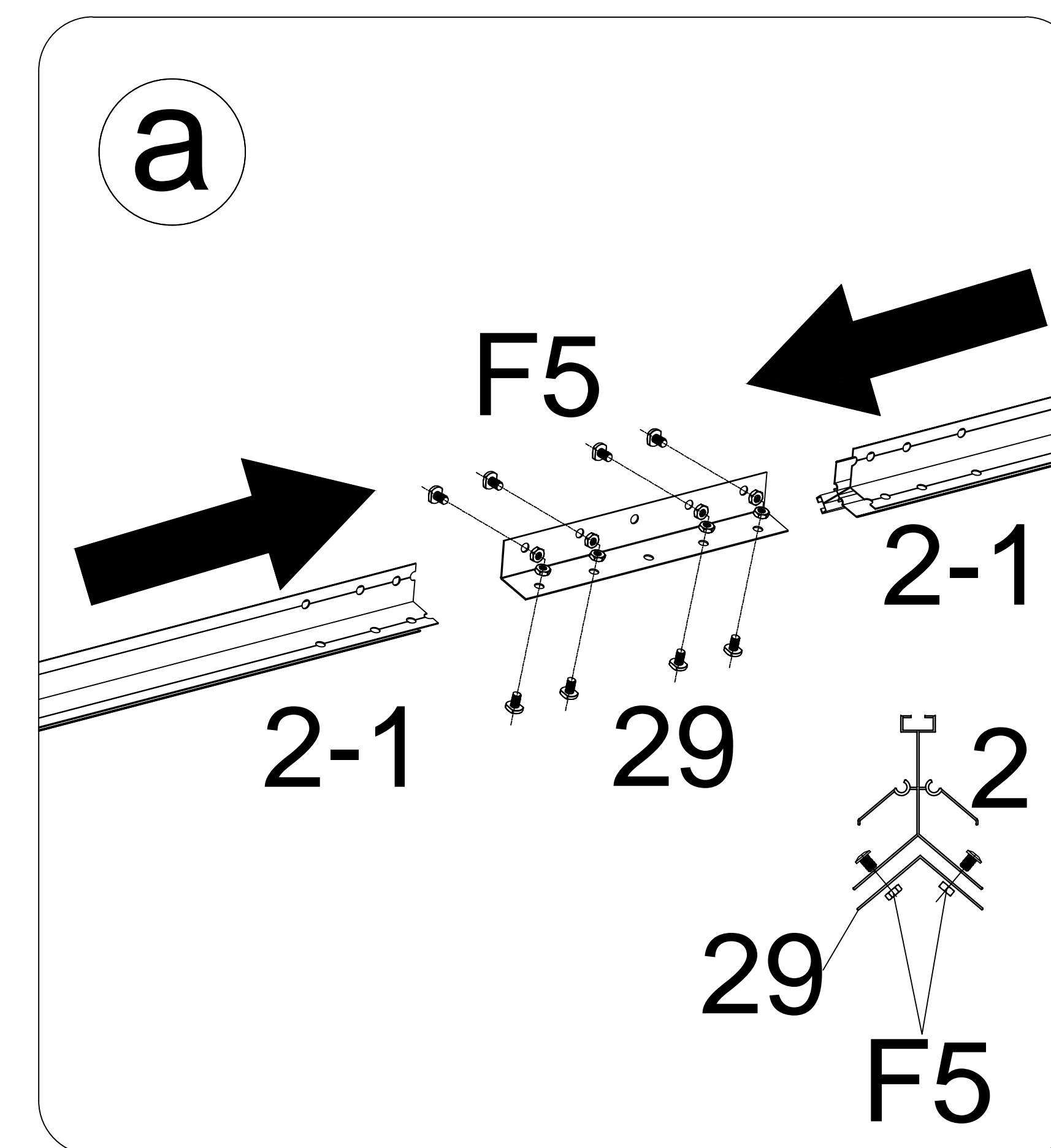
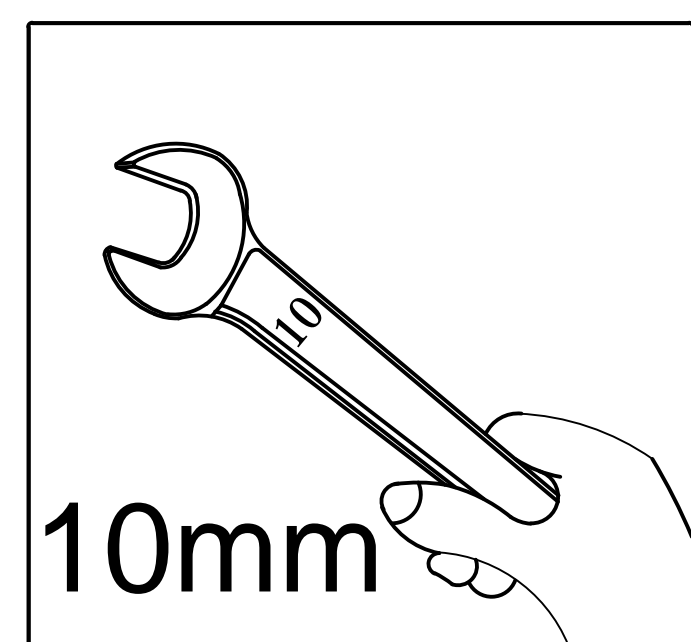
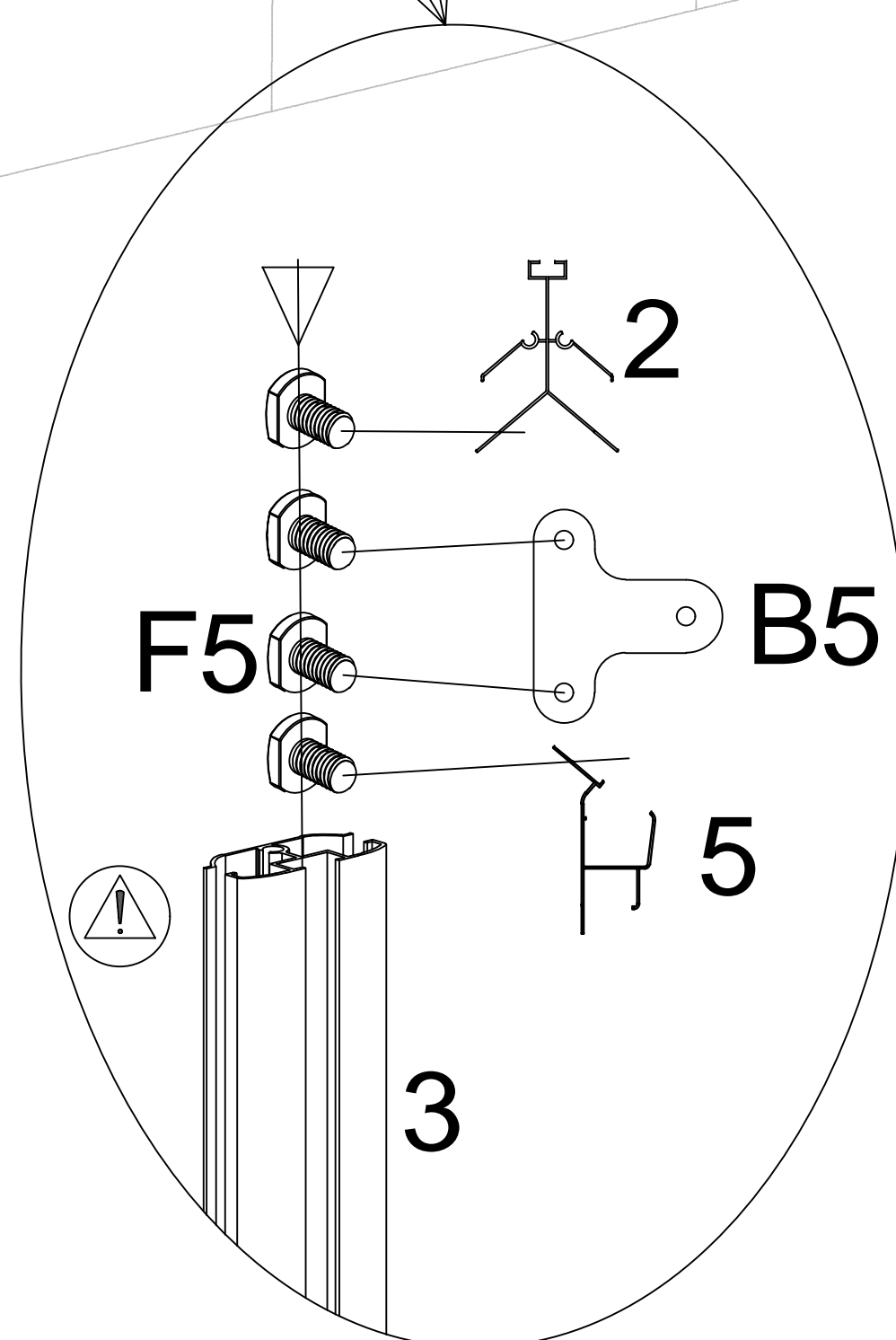
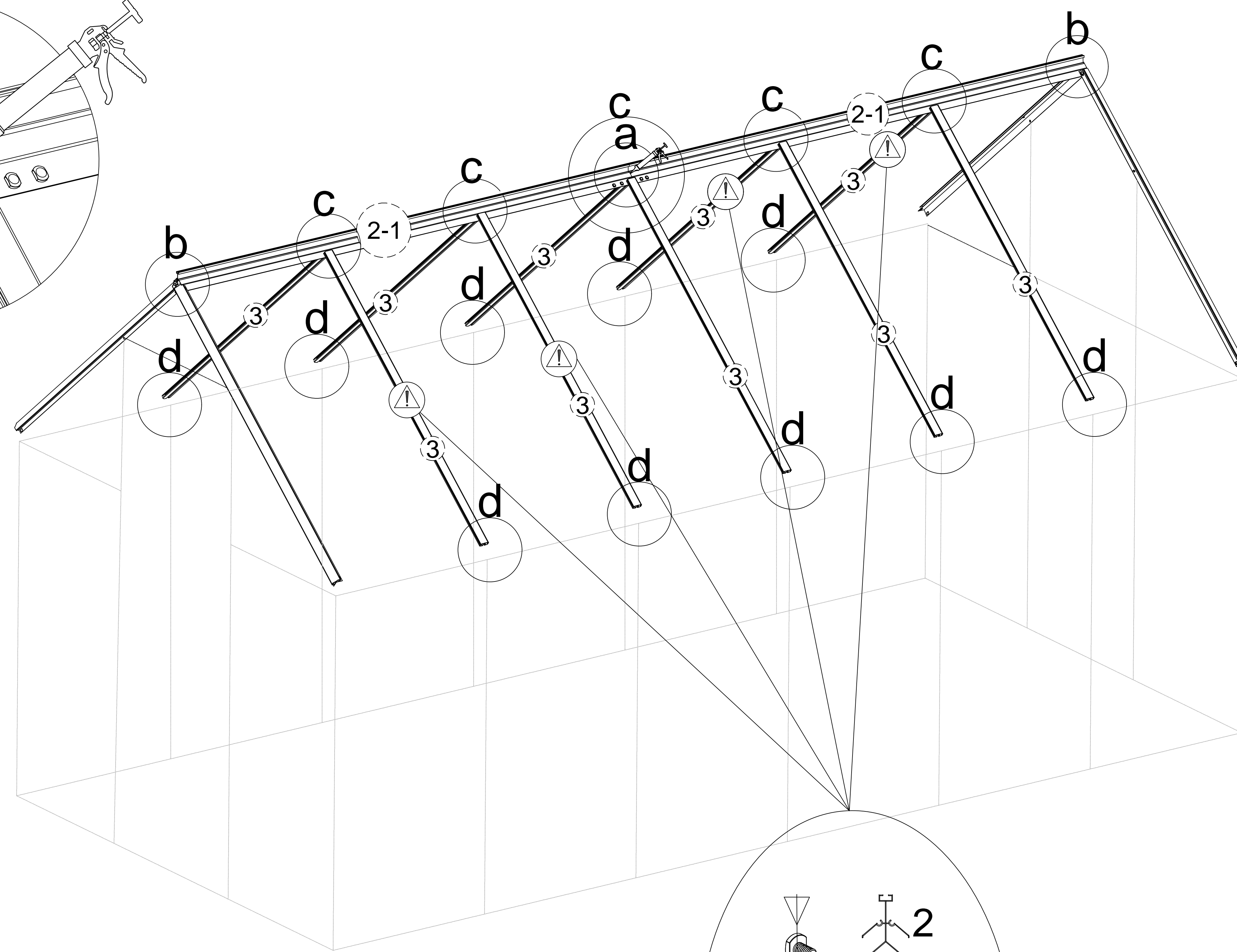
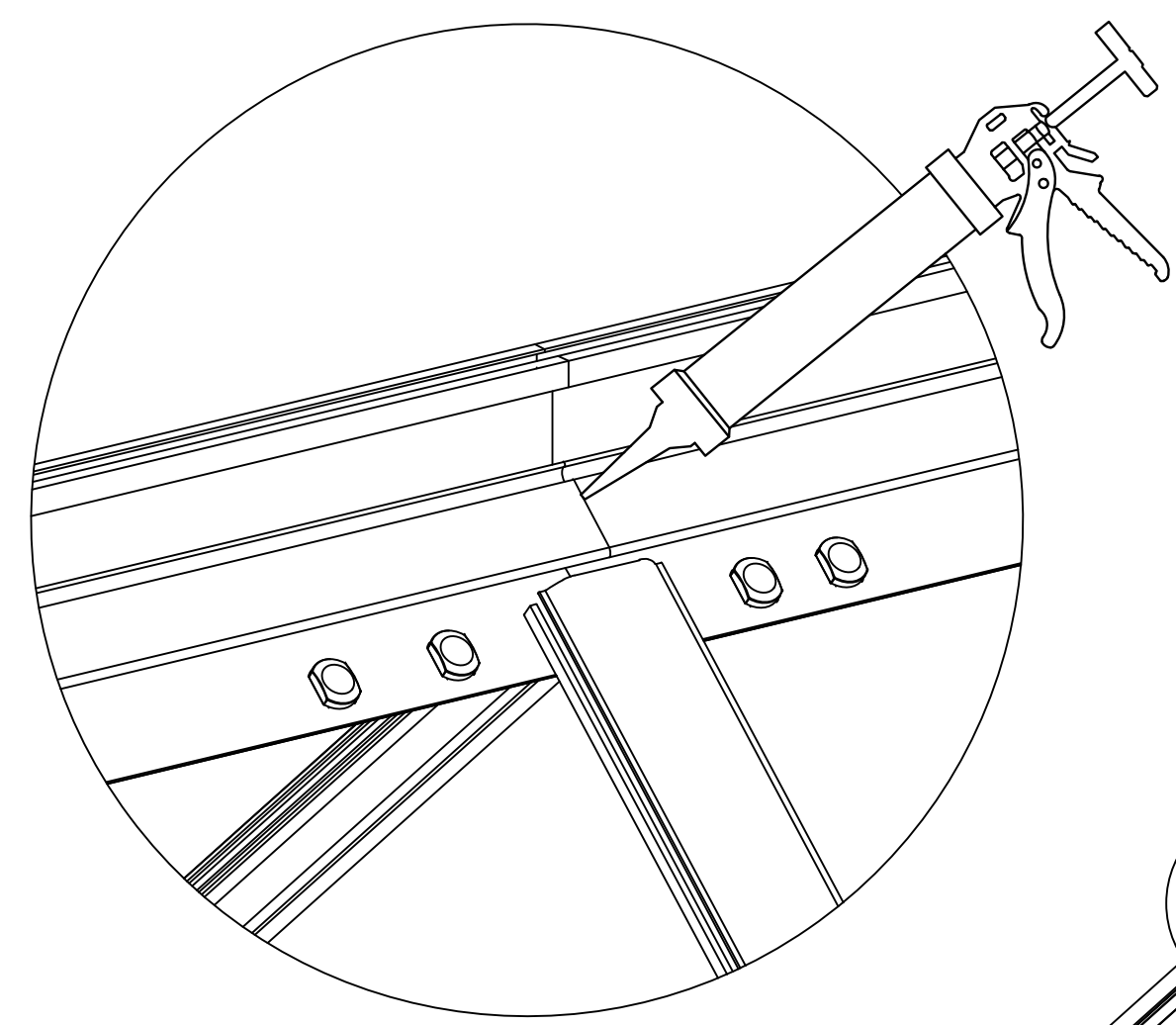
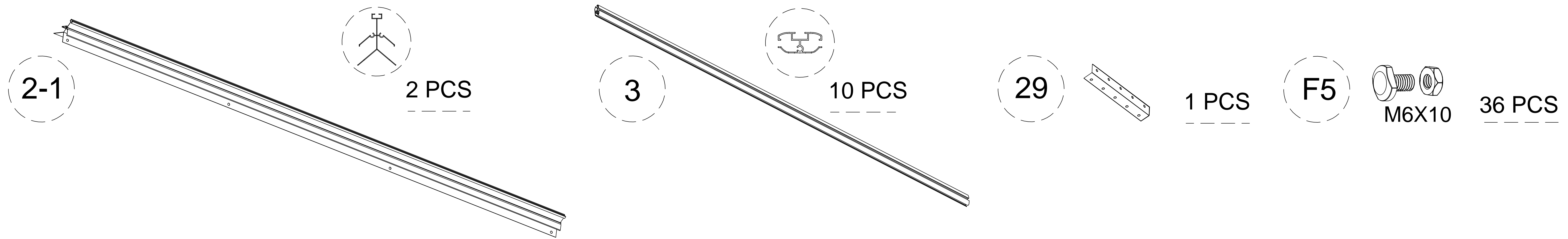
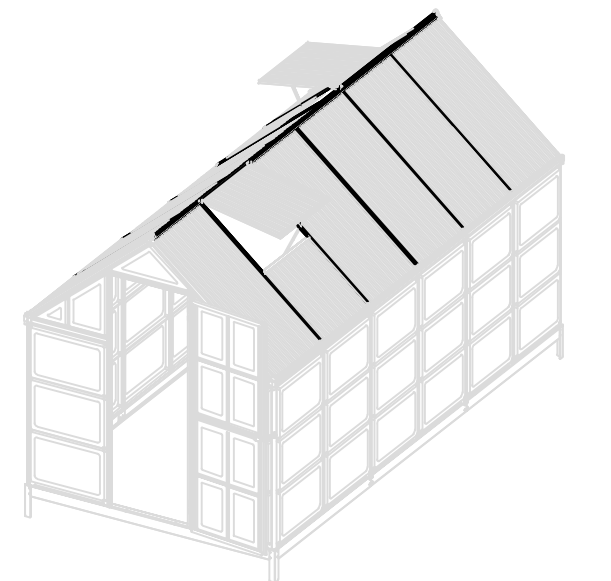


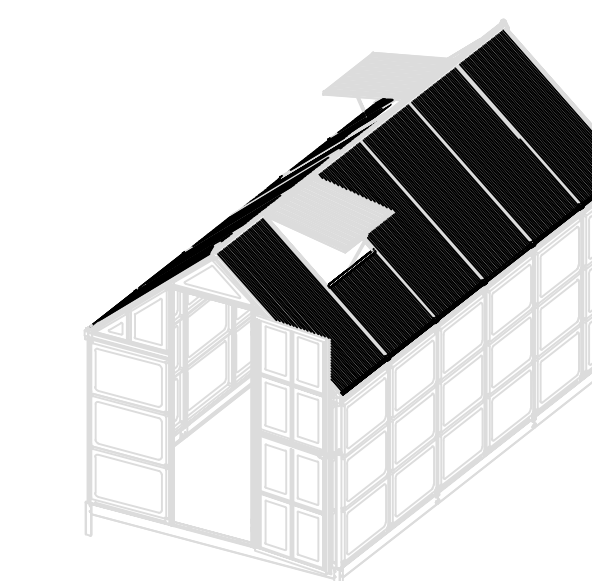


Remove the protect film

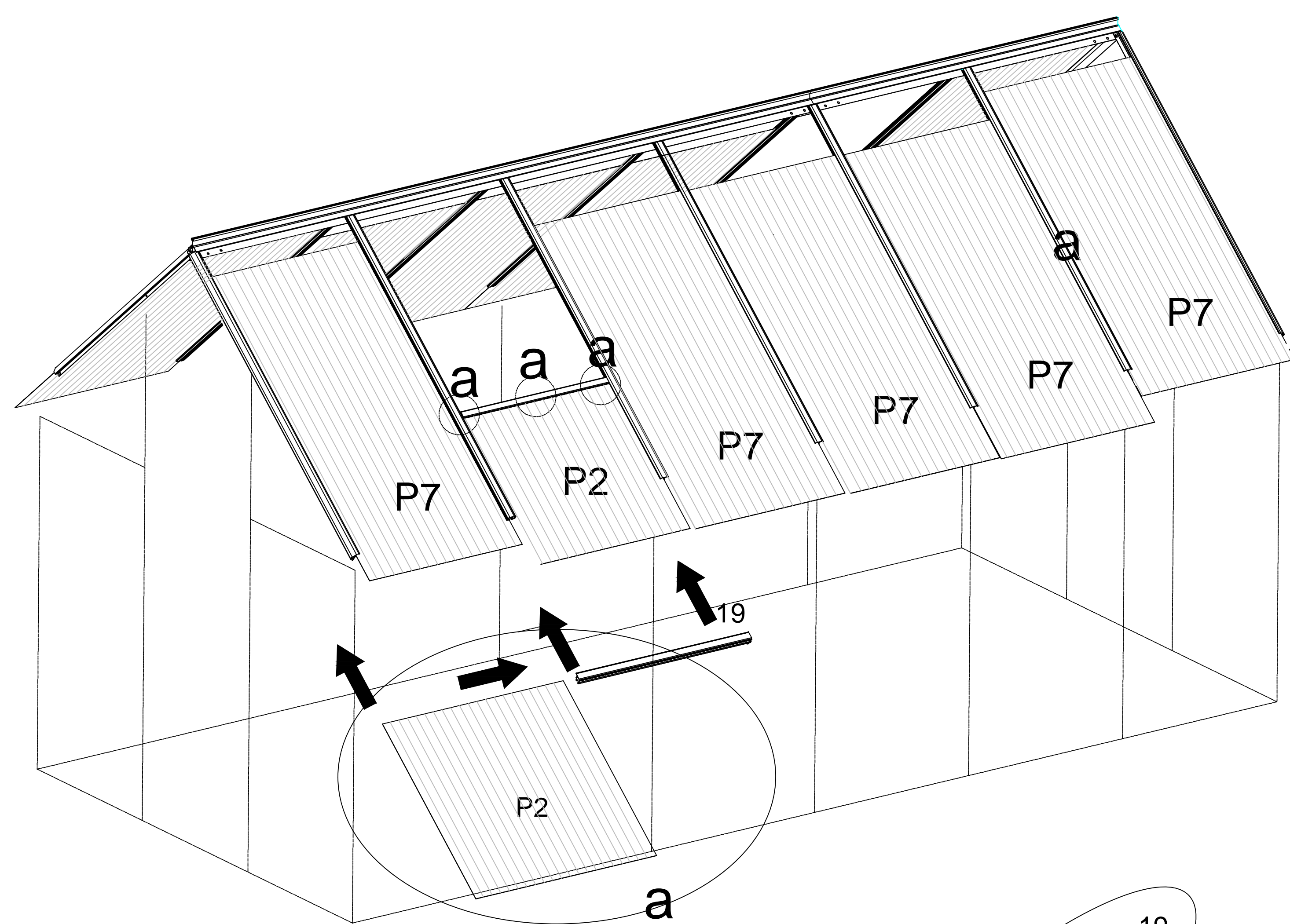








- 19 2 PCS
- 7 12 PCS
- P7 10 PCS
- P2 2 PCS
- S3 10 PCS
- B5 4 PCS
- F6 10 PCS
- ST4.2X16
- B4 2 PCS
- B8 2 PCS
- F5 12 PCS
- M6X16



Remove the protect film

Transparent film

