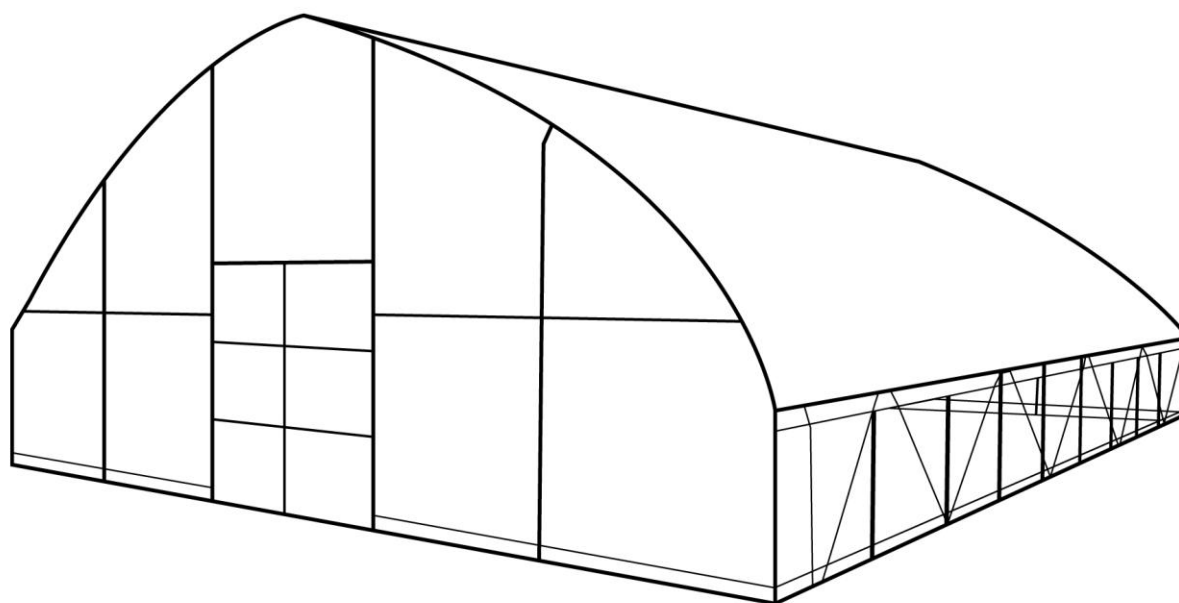


# 30' X 40' TUNNEL GREENHOUSE GROW TENT



- Please read and understand the product manual completely before assembly
- Check against the parts list to make sure all parts are received
- Wear proper safety goggles or other protective gears while in assembly
- Do not return the product to dealer. They are not equipped to handle your requests.

Missing parts or have questions on assembly?  
Please call: 1-877-761-2819 or email: [cs@tmgindustrial.com](mailto:cs@tmgindustrial.com)

## **MAIN SPECIFICATIONS**

- Overall assembled size : W9.15 x L11.7 x H4 (m) / W30 x L38.4 x H13.1 (ft)
- Shoulder height : H1.43 m /4.7ft
- Door : W2.2 x H2 (m) / 7.2 x 6.6 (ft)

## **PRIOR TO ASSEMBLY**

Please read the instructions carefully before installation. It is important to follow your local safety regulations and industry standards during installation. Regulations may include but are not limited to :

- Safety helmets, protective eyewear, and clothing
- Safety harnesses for all elevated workers
- Proper ladder, cage, and safety operation


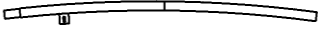
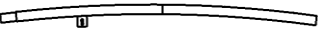
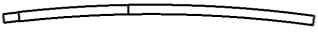
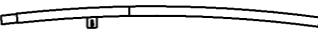






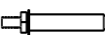






Check all components and parts before installation. All parts are marked with a part number, please refer to the parts list to make sure you have all parts.






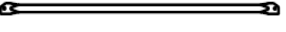













Choose a day with low or no wind to install, assembly is hard in heavy wind. Do not make any alterations to the structure. Do not hang any weights on the frame during installation, including parts. We are not responsible for any damages or injuries caused by inappropriate installation, unauthorized modifications or extreme weather.









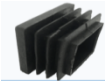







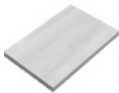
This building is not intended for human occupancy.

It is recommended to tape or add foam/rubber on the frame where joints connect and where it touches the cover. This will help extend the life span of the cover.

Read the following item list carefully and count the number of items to ensure that all parts are included prior to setup.

| TMG-GH3040 PART LIST |   |   |             |     |
|----------------------|---|---|-------------|-----|
| PARTS CODE           | GRAPHICAL   | DESCRIPTION                                 | LENGTH      | QTY |
| 1                    |    | Peak arch tube                              | L1470mm     | 10  |
| 2                    |    | Upper rafter tube                           | L1996mm     | 16  |
| 2A                   |    | Upper rafter tube<br>(front and rear truss) | L1996mm     | 4   |
| 3                    |    | Lower rafter tube                           | L1996mm     | 16  |
| 3A                   |    | Lower rafter tube<br>(front and rear truss) | L1996mm     | 4   |
| 4                    |    | Shoulder tube                               | L2090mm     | 16  |
| 4A                   |   | Shoulder tube<br>(front and rear truss)     | L2090mm     | 4   |
| 5                    |  | Roof purlin<br>(horizontal tube)            | L1238mm     | 63  |
| 5A                   |  | Connectors                                  | φ58/φ42     | 112 |
| 5B                   |  | Connectors                                  | φ58/φ42     | 14  |
| 6                    |  | Base plate                                  | W150xL150mm | 20  |
| 6A                   |  | Expansion bolt                              | φ14x100mm   | 76  |
| 7                    |  | Base plate                                  | W150xL150mm | 8   |
| 8                    |  | Vertical tubes                              | L1687mm     | 4   |
| 8A                   |  | Vertical tubes                              | L1137mm     | 4   |
| 9L                   |  | Door left lower vertical tubes              | L1687mm     | 2   |
| 9A                   |  | Door left upper vertical tubes              | L1977mm     | 2   |
| 9R                   |  | Door right lower vertical tubes             | L1687mm     | 2   |

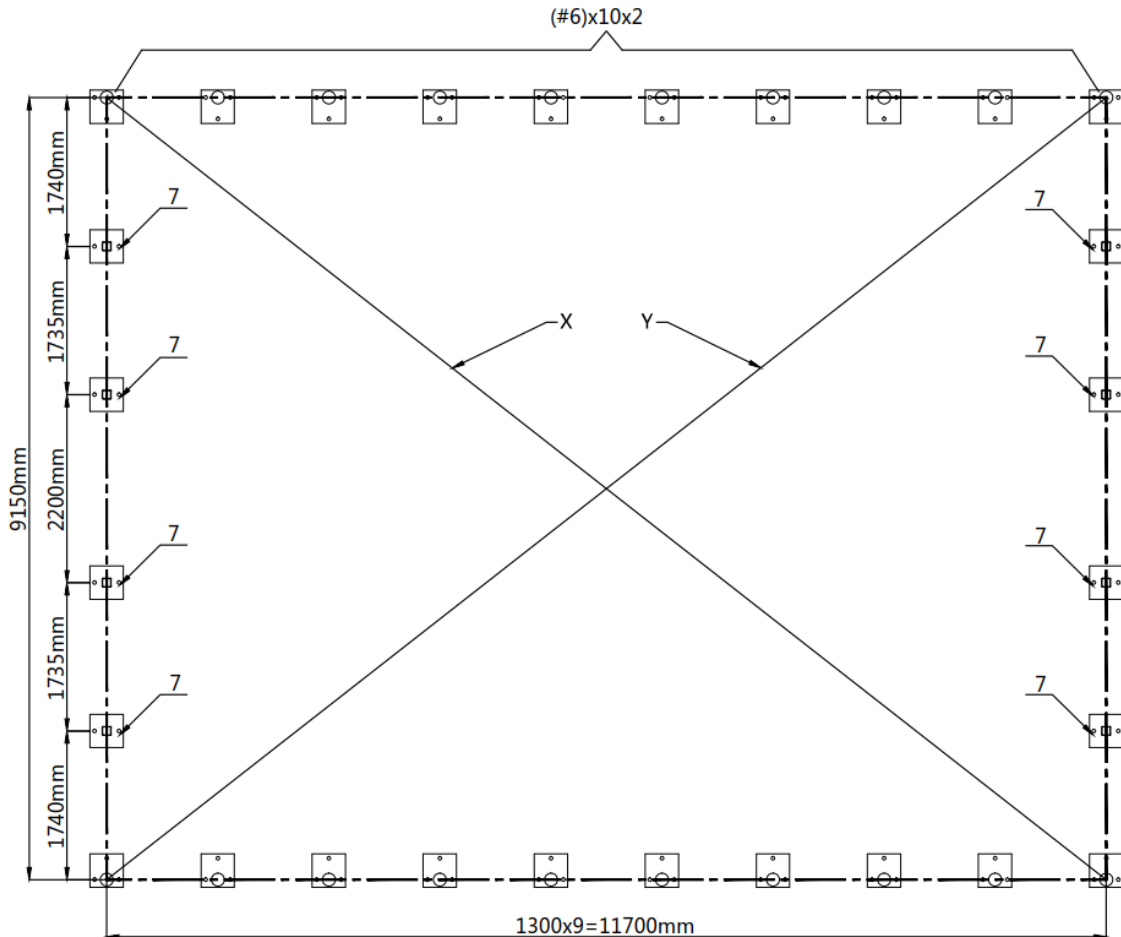
|     |   |                                 |         |    |
|-----|---|---------------------------------|---------|----|
| 9B  |    | Door right upper vertical tubes | L1977mm | 2  |
| 9C  |    | Connector tube                  | L120mm  | 8  |
| 10  |    | Door cross tubes                | L1377mm | 4  |
| 10A |    | Door cross tubes                | L1689mm | 4  |
| 10B |    | Door frame cross pull tube      | L2154mm | 2  |
| 11  |    | Ceiling cross bar               | L1987mm | 8  |
| 12  |    | Door frame column tube          | L1978mm | 4  |
| 12L |    | Door frame column left tube     | L1978mm | 2  |
| 12R |    | Door frame column right tube    | L1978mm | 2  |
| 13  |  | Door horizontal tube            | L990mm  | 16 |
| 14  |  | Reed groove                     | L2000mm | 82 |
| 14A |  | Clip spring                     | L2000mm | 80 |
| 15  |  | Film rolling machine guide tube | L1430mm | 2  |
| 16  |  | Roll film tube                  | L1993mm | 10 |
| 16A |  | Roll film tube                  | L2100mm | 2  |
| 17  |  | Door buckle                     |         | 8  |
| 18  |  | Film rolling machine            |         | 2  |
| 19  |  | Eight clip spring               |         | 38 |
| 20  |  | Pressure film carrier           | Φ25mm   | 20 |

|     |   |                            |               |          |
|-----|---|----------------------------|---------------|----------|
| 21  |    | Half round head bolt       | M6x50mm       | 32       |
| 22  |    | Self locking bolt and nuts | M8x60mm       | 126      |
| 23  |    | Self locking bolt and nuts | M8x70mm       | 160      |
| 24  |    | Hex bolt and nuts          | M10x70mm      | 32       |
| 25  |    | Hex bolt and nuts          | M10x30mm      | 28       |
| 26  |    | Hex bolt and nuts          | M10x120mm     | 2        |
| 27  |    | Self tapping screw         | #12x25        | 552      |
| 28  |    | Self tapping screw         | #12x35        | 104      |
| 29  |   | Square plug                | 30x30mm       | 16       |
| 30  |  | Round plug                 | Φ25mm         | 6        |
| 31  |  | Braided rope               | L60m          | 1 bundle |
| 32  |  | Top cover film             | W12.5xL14.5m  | 1        |
| 32A |  | Front and rear door film   | W4.5xL9.5m    | 2        |
| 33  |  | Adhesive tape              | L10m          | 7        |
| 34  |  | Socket wrench              | M8mm          | 1        |
| 35  |  | Hex wrench                 | φ4mm          | 1        |
| 36  |  | Board<br>(not included)    | 150x15x2000mm | 32       |

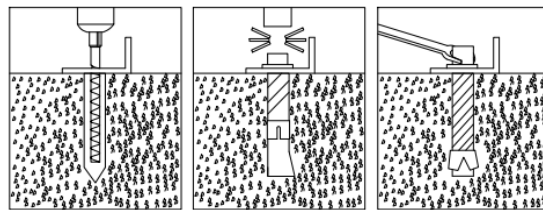
**INSTALLATION STEPS**



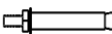
**STEP 1 : REVIEW THE WHOLE STRUCTURE AND CHOOSE THE PROPER INSTALLATION SITE.**

- Mark the ground in the final building location with a line showing the positions of base plates, front doors. All lines should be drawn from center to center of all base plate tubes. Diagonal line X must be equal to Y.
- Base plates : all base plates must be installed firmly with expansion bolts (#6A) on this step.



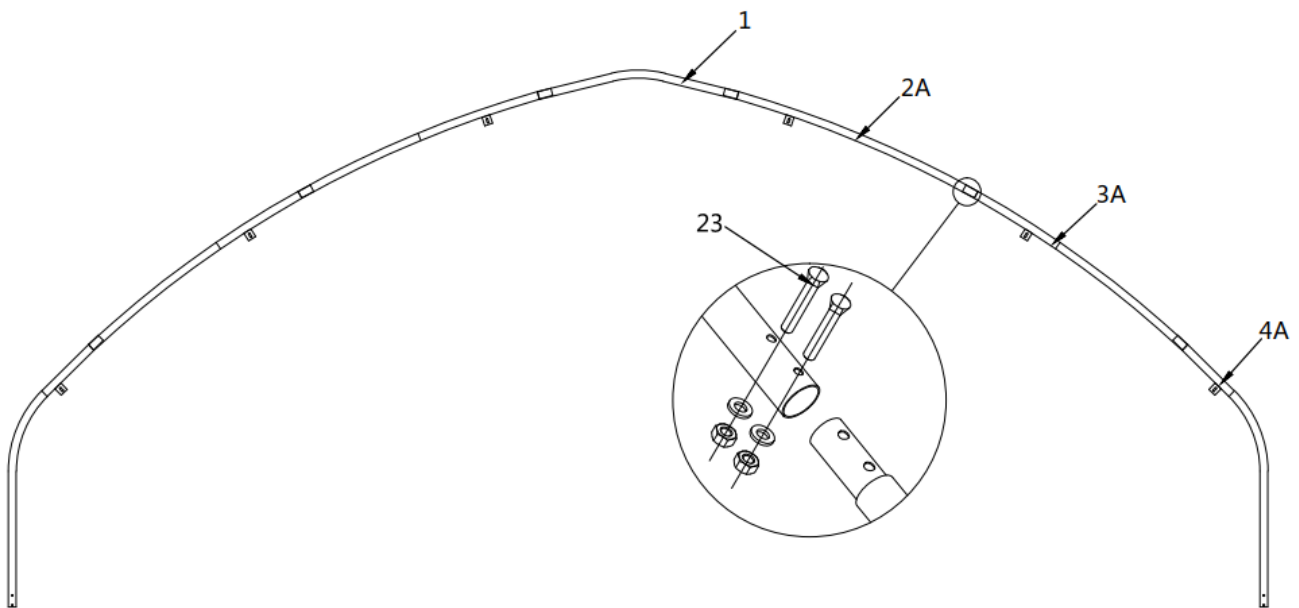
- Installation diagram of expansion bolt.


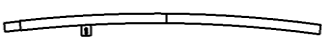
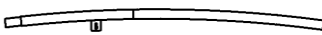




| NO. | PART  | QTY |
|-----|---|-----|
| 6   |  | 20  |
| 7   |  | 8   |
| 6A  |  | 76  |

**STEP 2 : ASSEMBLE ALL TRUSSES.**

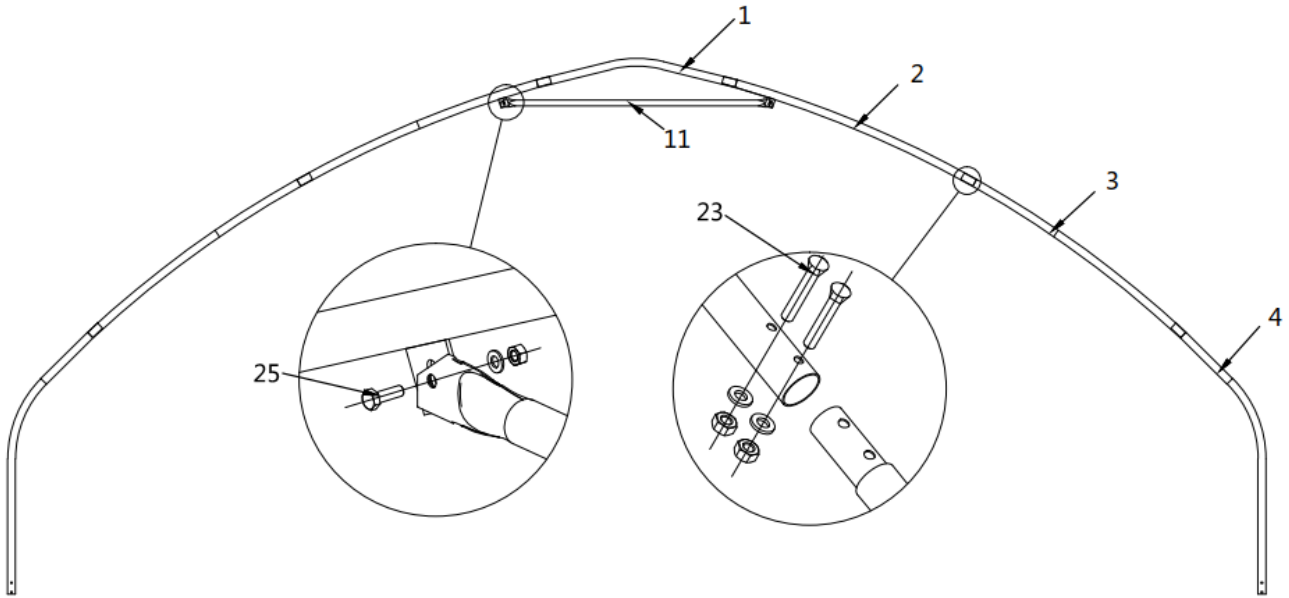
- The building includes 10 trusses : (2) front and rear truss, and (8) middle trusses.
- Install front and rear trusses.


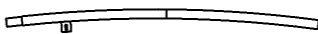
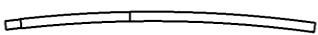






| NO. | PART  | QTY |
|-----|---|-----|
| 1   |  | 1x2 |
| 2A  |  | 2x2 |
| 3A  |  | 2x2 |

| NO. | PART  | QTY  |
|-----|---|------|
| 4A  |   | 2x2  |
| 23  |  | 12x2 |

- Install (8) middle trusses.

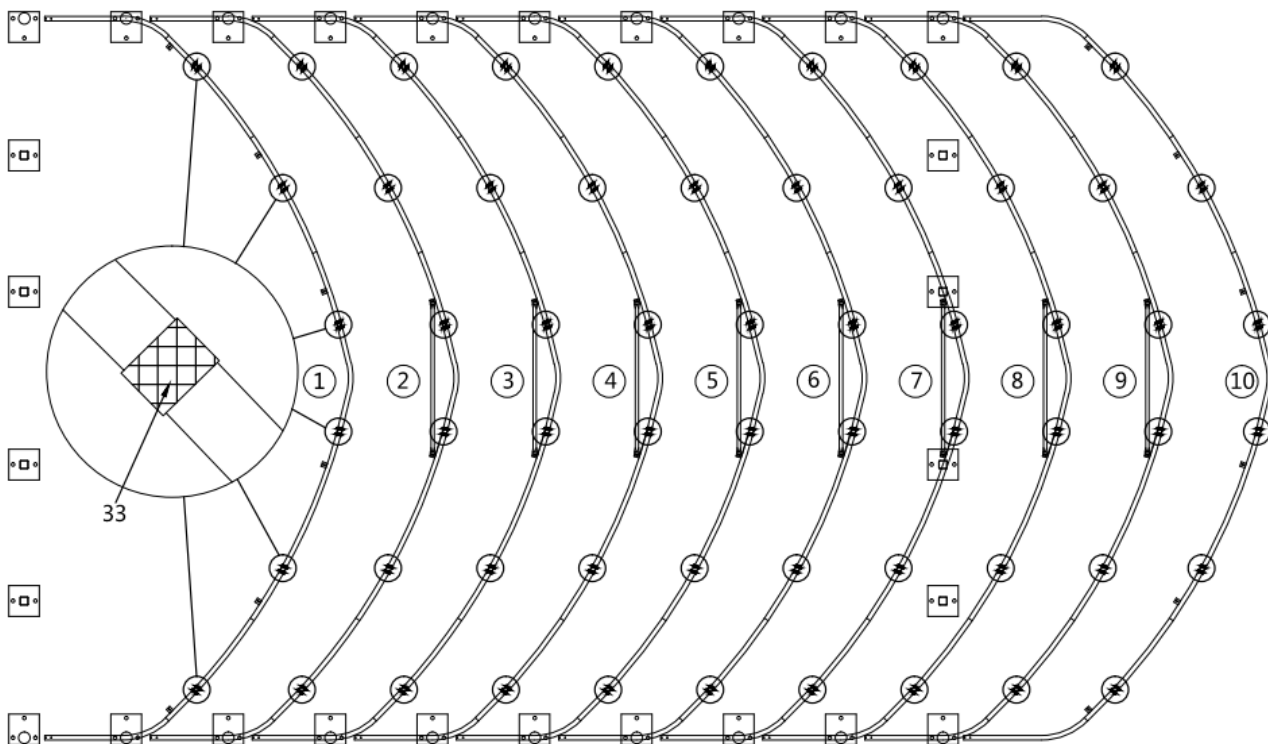



| NO. | PART  | QTY |
|-----|---|-----|
| 1   |  | 1x8 |
| 2   |  | 2x8 |
| 3   |  | 2x8 |
| 4   |  | 2x8 |

| NO. | PART  | QTY  |
|-----|---|------|
| 11  |   | 1x8  |
| 23  |  | 12x8 |
| 25  |  | 2x8  |



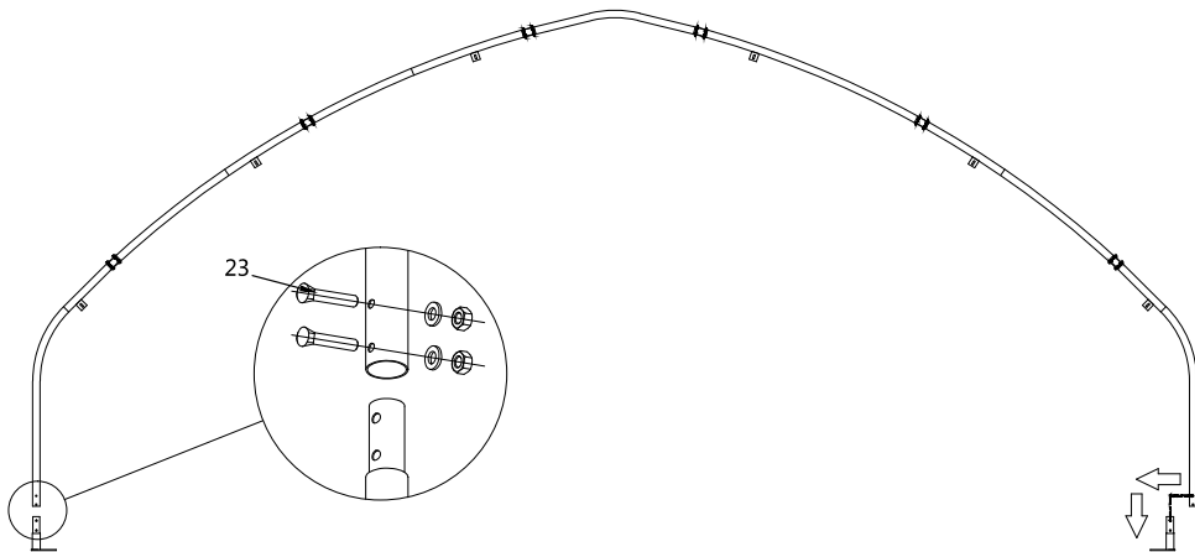
- Lay down all (10) trusses on the ground when the assembly is all completed and before moving to next step, and then wrap (#33) around the sharp points of the joint to avoid friction between the fabric and the interface, resulting in fabric damage.



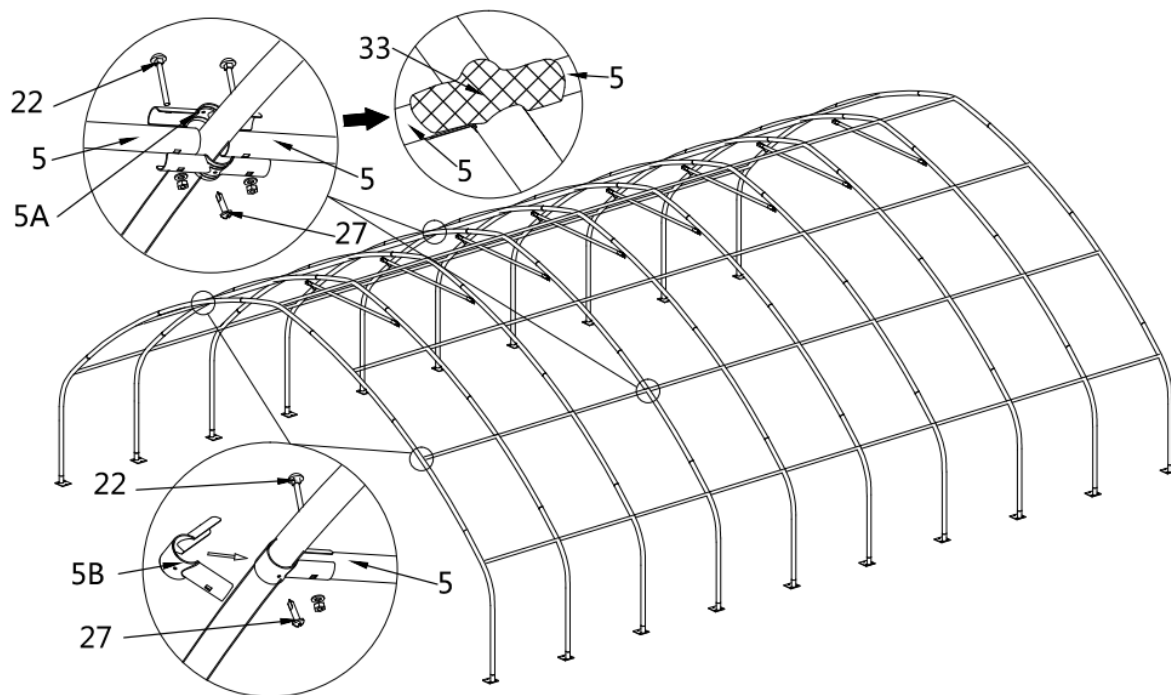
| NO. | PART  | QTY |
|-----|---|-----|
| 33  |  | 3   |

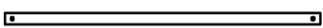



**STEP 3 : PUT UP ALL TRUSSES.**




- Put up the truss, use hex bolt (#23) to secure the truss to the base plates.



- Attach all purlins, then wrap the sharp points with tape (#33) to prevent scratching the top fabric.

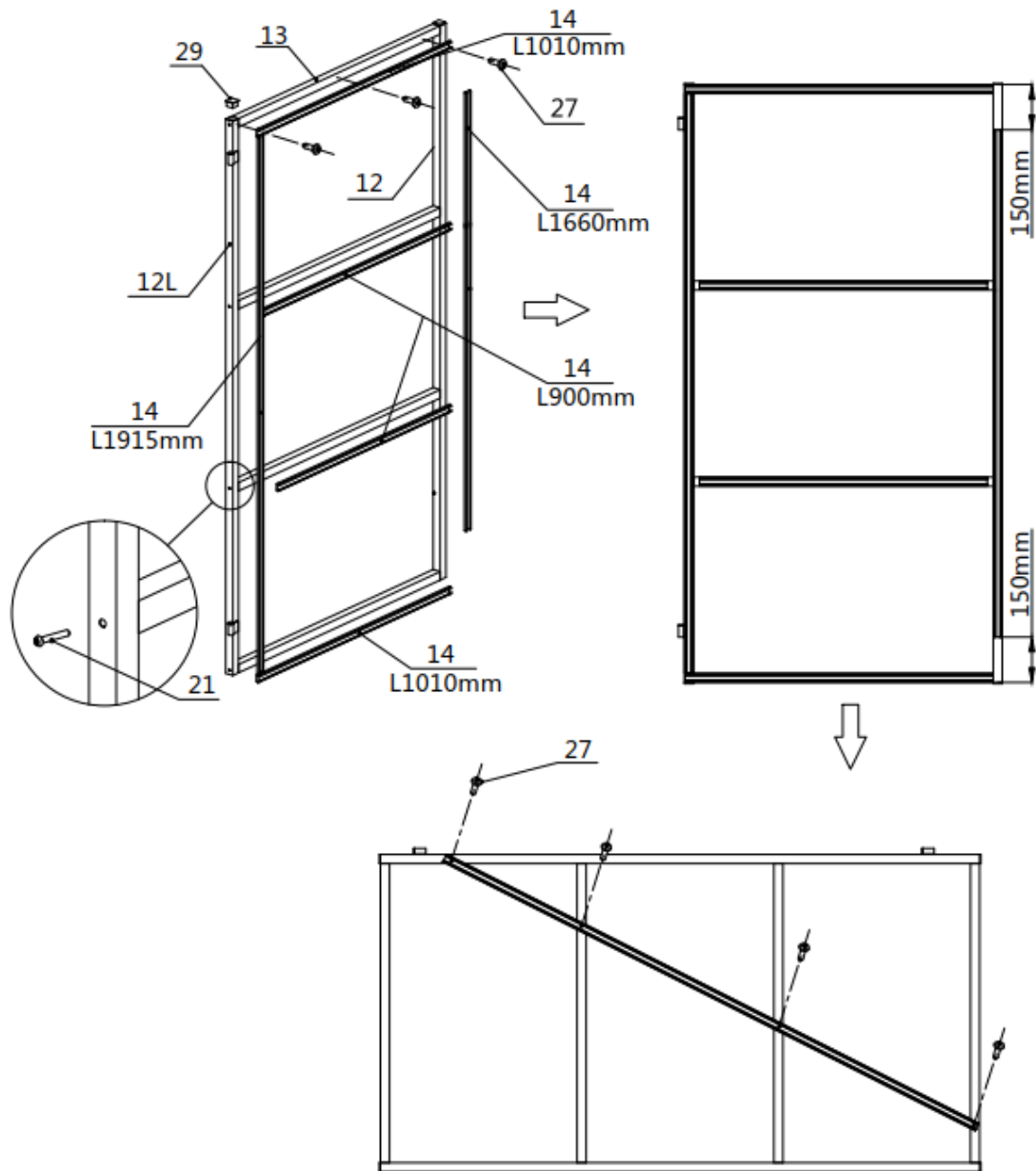


| NO. | PART  | QTY |
|-----|---|-----|
| 5   |  | 63  |
| 5A  |  | 112 |
| 5B  |  | 14  |
| 22  |  | 126 |

| NO. | PART  | QTY |
|-----|---|-----|
| 23  |  | 40  |
| 27  |  | 70  |
| 33  |  | 4   |

**Step 4: Install the front and rear door frames.**

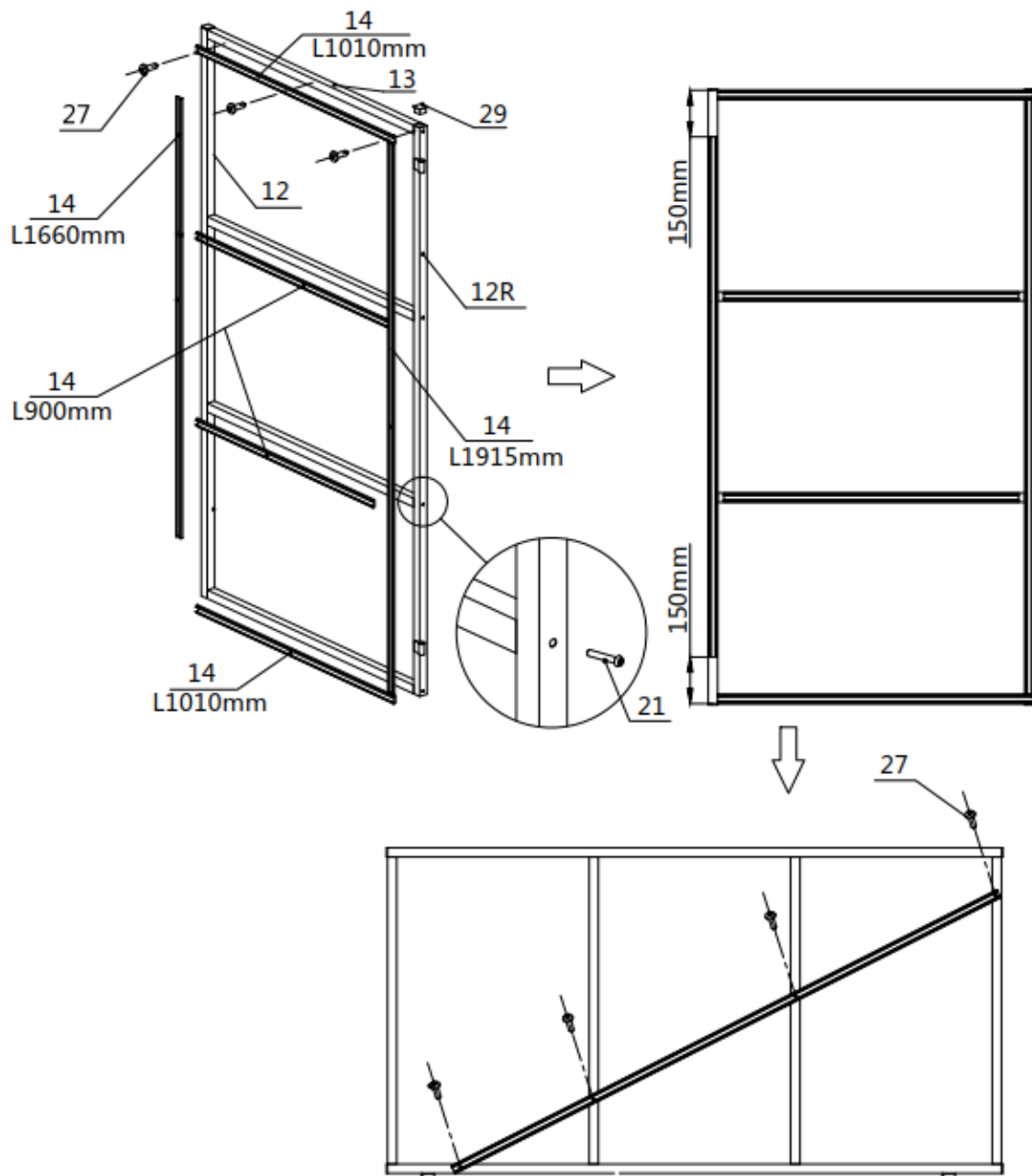
- Install 2 left door frames.



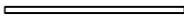



| NO. | PART | QTY |
|-----|------|-----|
| 12  |      | 1x2 |
| 12L |      | 1x2 |
| 13  |      | 4x2 |
| 14  |      | 5x2 |

| NO. | PART | QTY  |
|-----|------|------|
| 21  |      | 8x2  |
| 27  |      | 26x2 |
| 29  |      | 4x2  |

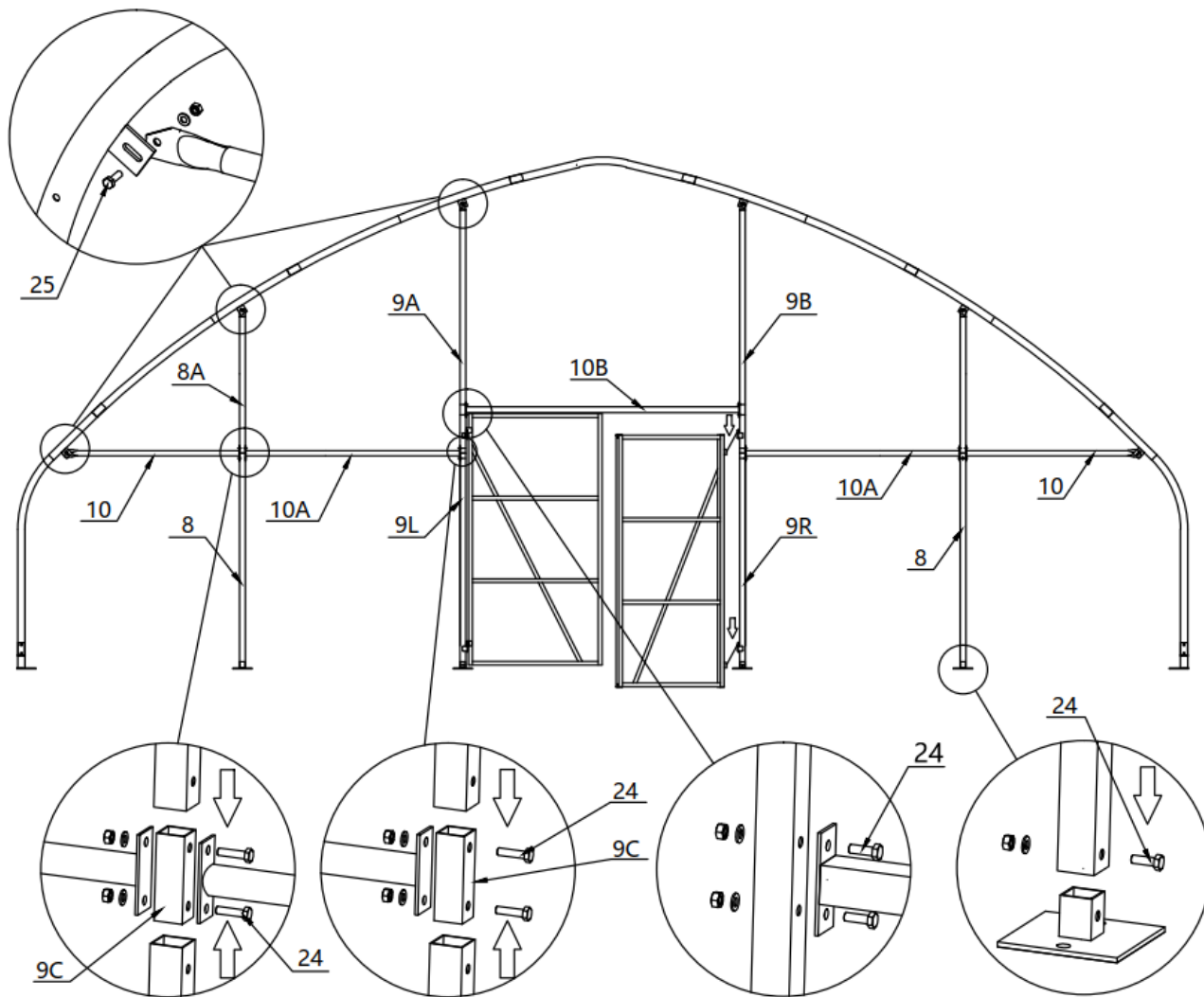
- Install 2 right door frames.



| NO. | PART  | QTY |
|-----|---|-----|
| 12  |  | 1x2 |
| 12R |  | 1x2 |
| 13  |  | 4x2 |
| 14  |  | 5x2 |

| NO. | PART  | QTY  |
|-----|---|------|
| 21  |  | 8x2  |
| 27  |  | 26x2 |
| 29  |  | 4x2  |

**STEP 5 : INSTALLATION OF FRONT AND REAR TRUSSES.**

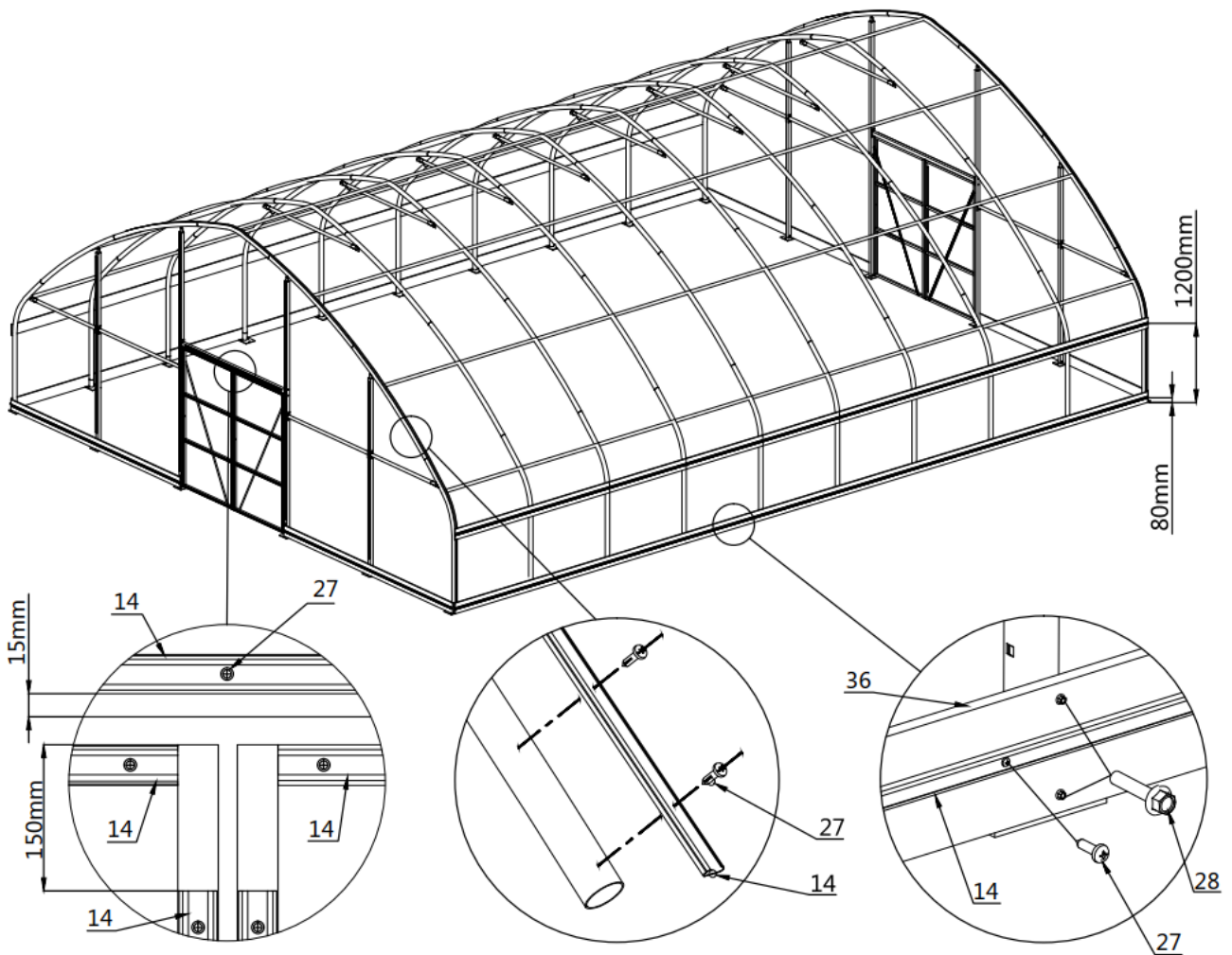


| NO. | PART | QTY |
|-----|------|-----|
| 8   |      | 2x2 |
| 8A  |      | 2x2 |
| 9L  |      | 1x2 |
| 9R  |      | 1x2 |
| 9A  |      | 1x2 |
| 9B  |      | 1x2 |

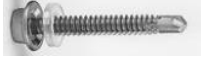

| NO. | PART | QTY  |
|-----|------|------|
| 9C  |      | 4x2  |
| 10  |      | 2x2  |
| 10A |      | 2x2  |
| 10B |      | 1x2  |
| 24  |      | 16x2 |
| 25  |      | 6x2  |

**STEP 6 : INSTALL BOARDS (#36) AND REED GROOVE (#14).**

- Fix the board (#36) with self tapping screw (#28).
- Fix the reed groove (#14) with the self tapping screw (#27).

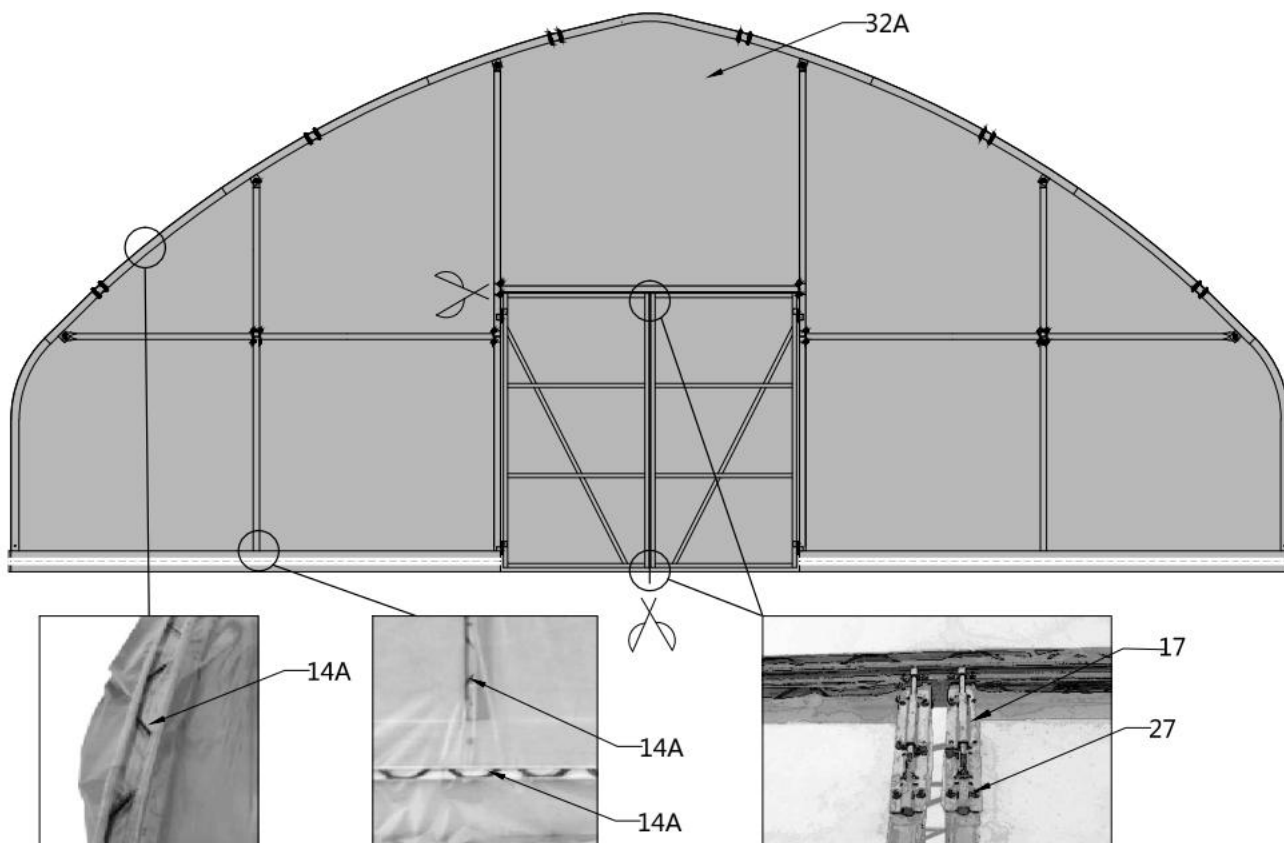




| NO. | PART  | QTY |
|-----|---|-----|
| 14  |  | 62  |
| 27  |  | 310 |


| NO. | PART  | QTY |
|-----|---|-----|
| 28  |  | 104 |
| 36  |  | 32  |

**STEP 7 : INSTALL FRONT AND REAR FILM.**

- Lift the film (#32A) and fix the film with a clip spring (#14A) from top to bottom.
- Install door buckle (#17) with self tapping screw (#27).
- Cut the door film as shown.



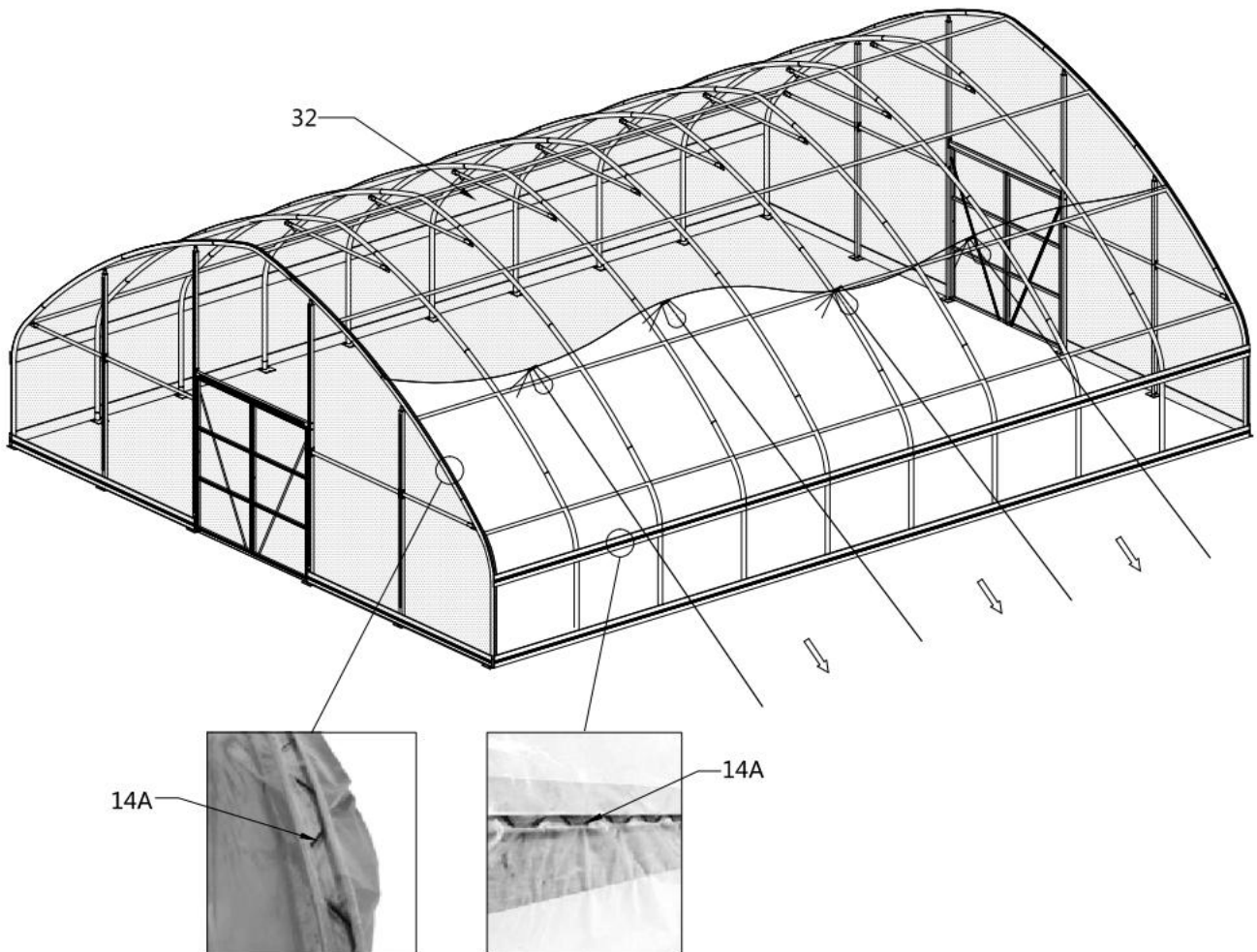
| NO. | PART  | QTY  |
|-----|---|------|
| 14A |  | 27x2 |
| 17  |  | 4x2  |



| NO. | PART  | QTY  |
|-----|---|------|
| 27  |  | 24x2 |
| 32A |  | 1x2  |



**STEP 8 : INSTALL TOP COVER FILM.**

- when you are ready to install the roof cover, unpack the cover and position it parallel to the building frame on one side. the cover must be pulled over the top of the truss frame without being snagged or stressed on any frame members. tighten the film evenly to eliminate wrinkles and make the film flat and smooth. Do not over-tighten during the adjustment process, otherwise it will cause unnecessary damage. At this time, you can install a clip spring (#14A) to fix the film.

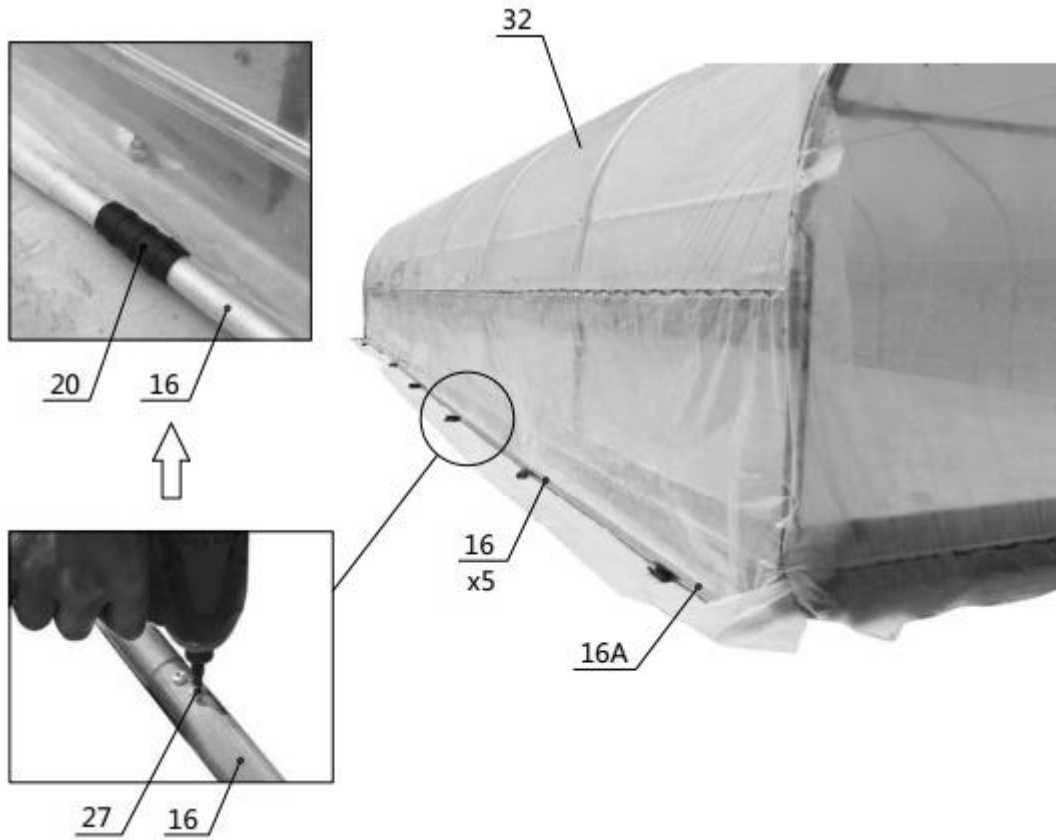





| NO. | PART  | QTY |
|-----|---|-----|
| 14A |  | 26  |
| 32  |  | 1   |



**STEP 9 : INSTALL ROLL FILM SYSTEM.**

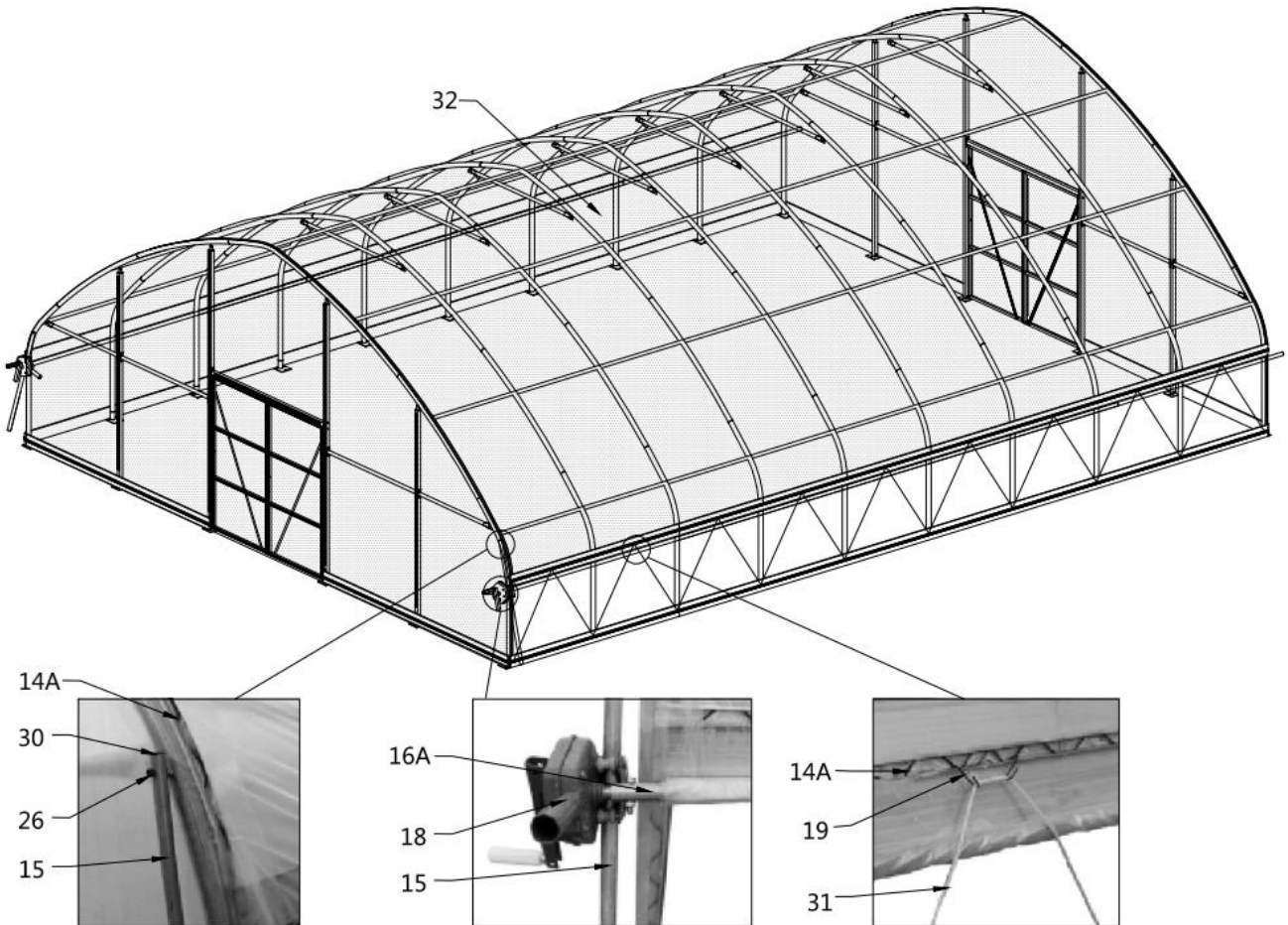
- Install the roll film tube (#16), add a round plug (#30) at the end. the film (#32) is wound on a roll film tube , and clamped with a pressure film carrier (#20).



| NO. | PART  | QTY |
|-----|---|-----|
| 16  |  | 10  |
| 16A |  | 2   |
| 20  |  | 20  |

| NO. | PART  | QTY |
|-----|---|-----|
| 27  |  | 20  |
| 30  |  | 2   |

- A round plug (#30) is put on both ends of the film rolling machine guide tube (#15), and the guide tube is mounted on the frame with a hex bolt (#26), and it is required to swing freely. The film rolling machine (#18) drives the roll film tube (#16) to be raised and lowered horizontally and flexibly without jamming.
- Install the eight clip spring (#19) and fasten the braided rope (#31).



| NO. | PART | QTY |
|-----|------|-----|
| 15  |      | 2   |
| 18  |      | 2   |
| 19  |      | 38  |

| NO. | PART | QTY |
|-----|------|-----|
| 26  |      | 2   |
| 30  |      | 4   |
| 31  |      | 1   |

## **AFTER THE INSTALLATION**

Walk around and inspect the tunnel greenhouse periodically to make sure all components are still firmly secured and the whole shelter is well supported. Check all bolts and nuts as well as all connection points to make sure they are all in good position.

We strongly recommend you remove any snow from the roof immediately. Do not leave any snow load on the roof overnight. Keep 3 feet of clearance on all sides at all times. Do not allow snow to accumulate and pile up on the sides of the building. Otherwise the pressure from the sides will push inwards and could lead to a collapse.