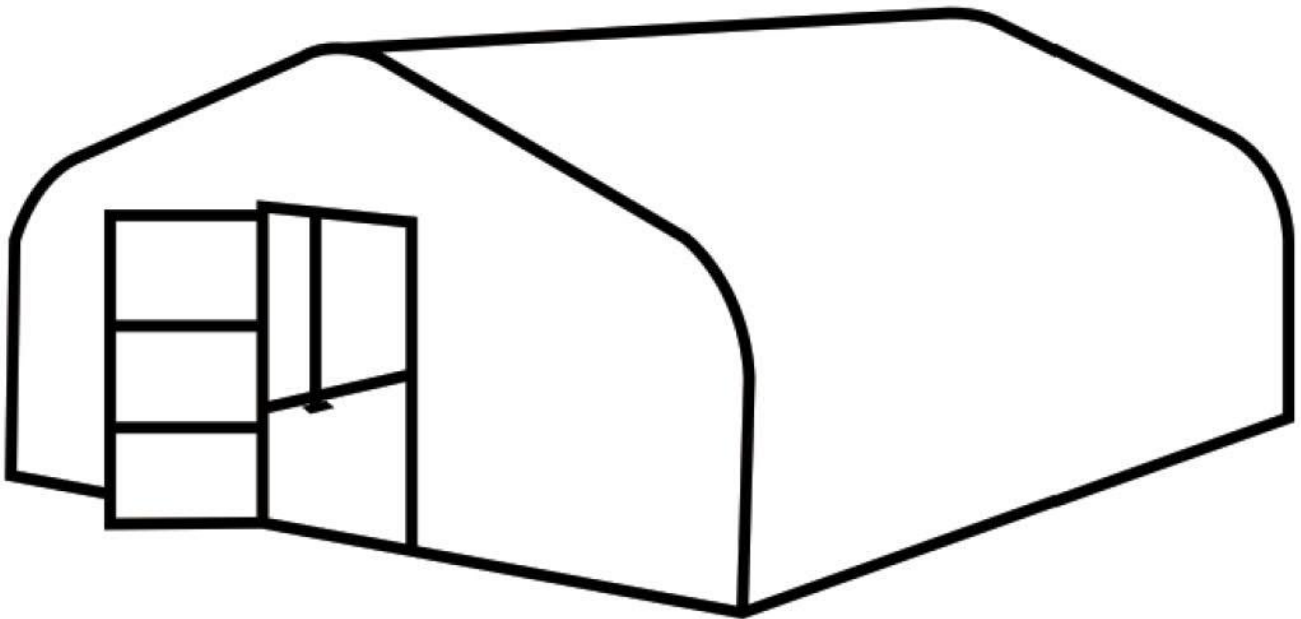


20' X 30' TUNNEL GREENHOUSE GROW TENT



- Please read and understand the product manual completely before assembly
- Check against the parts list to make sure all parts are received
- Wear proper safety goggles or other protective gears while in assembly
- Do not return the product to dealer. They are not equipped to handle your requests.

Missing parts or have questions on assembly?
Please call: 1-877-761-2819 or email: cs@tmgindustrial.com

MAIN SPECIFICATIONS :

- Assembly size : W6 x L9 x H3 (m) / W19.7 x L29.5 x H9.8(ft)
- Shoulder wall clearance height : 1.25 m / 4.1ft
- Front roll up door : W1.1 x H2 (m) / W3.6 x H6.6 (ft)

PRIOR TO ASSEMBLY

Please read the instructions carefully before installation. It is important to follow your local safety regulations and industry standards during installation. Regulations may include but are not limited to :

- Safety helmets, protective eyewear, and clothing
- Safety harnesses for all elevated workers
- Proper ladder, cage, and safety operation

Check all components and parts before installation. All parts are marked with a part number, please refer to the parts list to make sure you have all parts.

Choose a day with low or no wind to install, assembly is hard in heavy wind. Do not make any alterations to the structure. Do not hang any weights on the frame during installation, including parts. We are not responsible for any damages or injuries caused by inappropriate installation, unauthorized modifications or extreme weather.

This building is not intended for human occupancy.

It is recommended to tape or add foam/rubber on the frame where joints connect and where it touches the cover. This will help extend the life span of the cover.

Read the following item list carefully and count the number of items to ensure that all parts are included prior to setup.

INSTALLATION STEPS


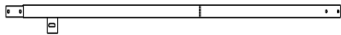

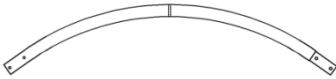





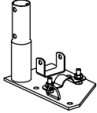
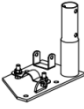

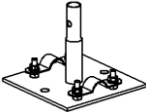
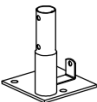
STEP 1 : REVIEW THE WHOLE STRUCTURE AND CHOOSE THE PROPER INSTALLATION SITE.

















Choose a solid flat level ground area to set up the building. Do not install the building on soft ground, wetland, uneven surfaces, sloped surfaces, or on top of structures that are not rated to hold its weight.

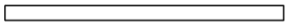
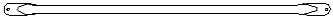



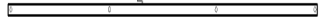










We strongly recommend that you build the structure on a solid foundation such as cement and use anchor bolts on all baseplates.










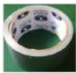
Be aware of the surrounding area. Do not set up the building near snowdrifts, open flames or exposed electrical wires. Do not keep heat sources near the fabric cover. Keep the building surroundings clear at all times.

TMG-GH2030 PART LIST

| PARTS CODE | GRAPHICAL | DESCRIPTION | LENGTH | QTY |
|-------------------|---|--|-------------------------|------------|
| 1 |  | Peak arch tube | φ48x1154mm | 7 |
| 2 |  | Upper rafter tube (middle and rear truss) | φ48x1980mm | 12 |
| 2A |  | Upper rafter tube (front truss) | φ48x1980mm | 2 |
| 3 |  | Shoulder tube (middle truss) | φ48x1335mm | 14 |
| 4 |  | Lower rafter tube (front and rear truss) | φ48x1139mm | 14 |
| 5 |  | Roof purlin (horizontal tube) | φ25x1448mm | 30 |
| 5A |  | Middle truss connectors | W35xL140mm φ25 / φ48 | 50 |
| 5B |  | Front and rear connectors | W35xL96mm φ25 / φ48 | 10 |
| 5C |  | Self-tapping screws | #12x25mm | 35 |
| 5L |  | Left corner baseplate (front and rear truss) | W150xL250mm | 2 |
| 5R |  | Right corner baseplate (front and rear truss) | W150xL250mm | 2 |
| 6 |  | Baseplate (front truss) | 150x150mm | 2 |
| 6A |  | Baseplate (rear truss) | 150x150mm | 2 |
| 7 |  | Baseplate (middle truss) | 150x150mm | 10 |

| | | | | |
|-----|---|---|------------|----|
| 7A |  | Ratchet | 2T | 14 |
| 7B |  | Tensioning tube | φ32x1993mm | 8 |
| 7D |  | Tensioning tube | φ32x1360mm | 2 |
| 8 |  | Door frame lower tube (front truss) | φ32x1922mm | 1 |
| 8A |  | Door frame lower tube | φ32x1157mm | 2 |
| 8B |  | Door frame lower tube (front truss) | φ32x1922mm | 1 |
| 8C |  | Door frame lower tube (front truss) | φ32x1265mm | 2 |
| 9 |  | Door frame upper tube (front truss) | φ32x886mm | 2 |
| 9A |  | Door frame upper tube (rear truss) | φ32x1429mm | 2 |
| 9B |  | Door frame upper tube (front truss) | φ32x1135mm | 2 |
| 10 |  | Door frame upper horizontal tube (front truss) | φ25x1240mm | 4 |
| 10A |  | Door frame horizontal tube (rear truss) | φ25x2030mm | 3 |
| 11 |  | Ceiling cross bar (middle and rear truss) | φ25x1460mm | 6 |
| 11A |  | Door frame cross pull tube (front truss) | φ25x1143mm | 1 |
| 12 |  | Bottom tension bar (front cover) | φ25x1188mm | 2 |
| 12A |  | Bottom tension bar (front cover) | φ25x1220mm | 2 |

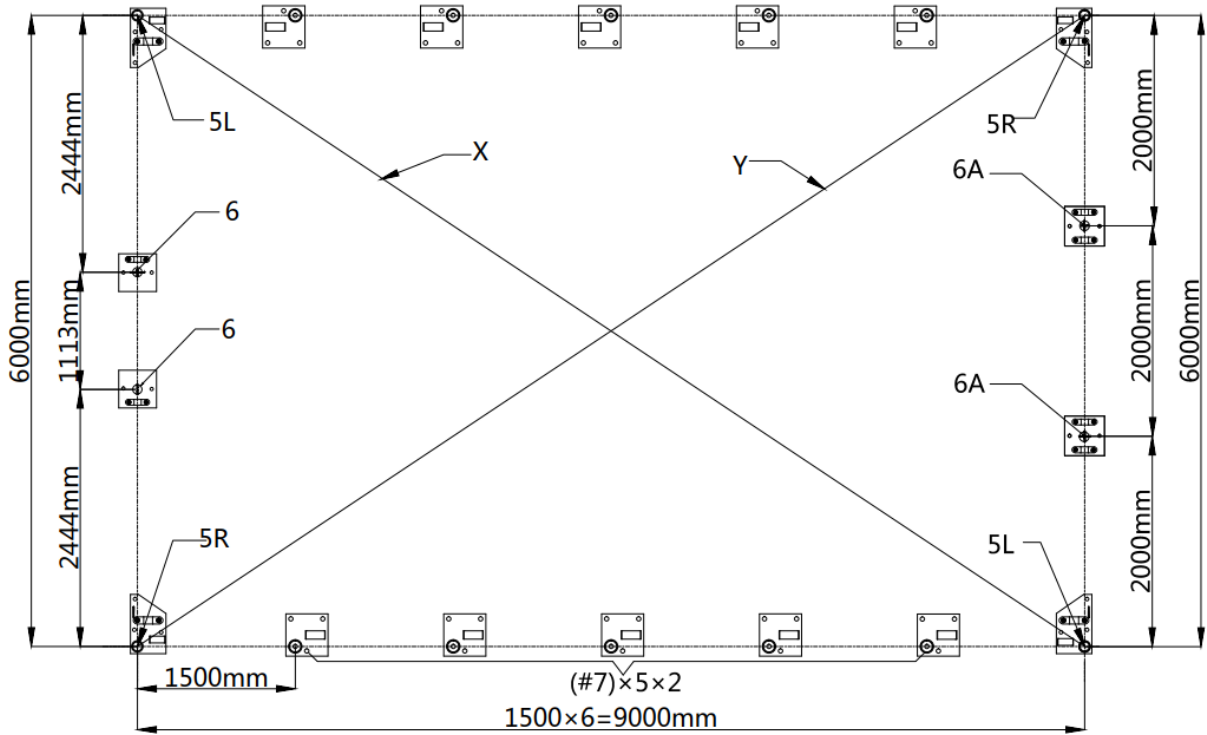
| | | | | |
|-----|---|---|---------------|-----|
| 12B |  | Bottom tension bar (rear cover) | φ25x1925mm | 3 |
| 13 |  | Diagonal bracing bar (1st and last span) | φ25x1910mm | 4 |
| 13A |  | Tube clamp | φ48mm | 12 |
| 13B |  | Tube clamp | φ32mm | 2 |
| 14 |  | Door frame column tube | 30x30x1925mm | 1 |
| 14A |  | Door frame column tube | 30x30x1925mm | 1 |
| 15 |  | Door horizontal tube | 30x30x996mm | 4 |
| 16 |  | Expansion bolt (head diameter 14) | M12/φ14x100mm | 50 |
| 17 |  | Hex bolt | M10x60mm | 108 |
| 18 |  | Self locking bolt | M6x40mm | 60 |
| 18A |  | Mushroom head hexagon socket head bolt | M6x50mm | 8 |
| 19 |  | Hex bolt | M8x20mm | 26 |
| 19A |  | Hex bolt | M8x80mm | 4 |
| 19B |  | Hex bolt | M8x50mm | 10 |
| 19C |  | Hex bolt | M6x80mm | 2 |
| 20 |  | Door cover | W1140xL2030mm | 1 |

| | | | | |
|-----|---|------------------------|-----------------|----|
| 21 |  | Water plug | φ32mm | 6 |
| 21A |  | Water plug | 30x30mm | 4 |
| 21B |  | Water plug | φ25mm | 10 |
| 22 |  | Top cover | W90400xL10520mm | 1 |
| 23 |  | Front cover panel | W3220xL59520mm | 1 |
| 23A |  | Rear cover panel | W3220xL59520mm | 1 |
| 24 |  | Braided rope | φ8x100m | 1 |
| 24A |  | Ratchet straps | W38xL800mm | 14 |
| 25 |  | Allen key | 4mm | 1 |
| 26 |  | Scratch resistant tape | 10m | 2 |

STEP 2 : BASE PLATES INSTLLAION.

Mark the ground in the final building location with a line showing the positions of base plates, front, and rear doors. All lines should be drawn from center to center of all baseplate tubes. Diagonal line X must be equal to Y.

Base plates: all base plates must be installed firmly with expansion bolts (#16) on this step.



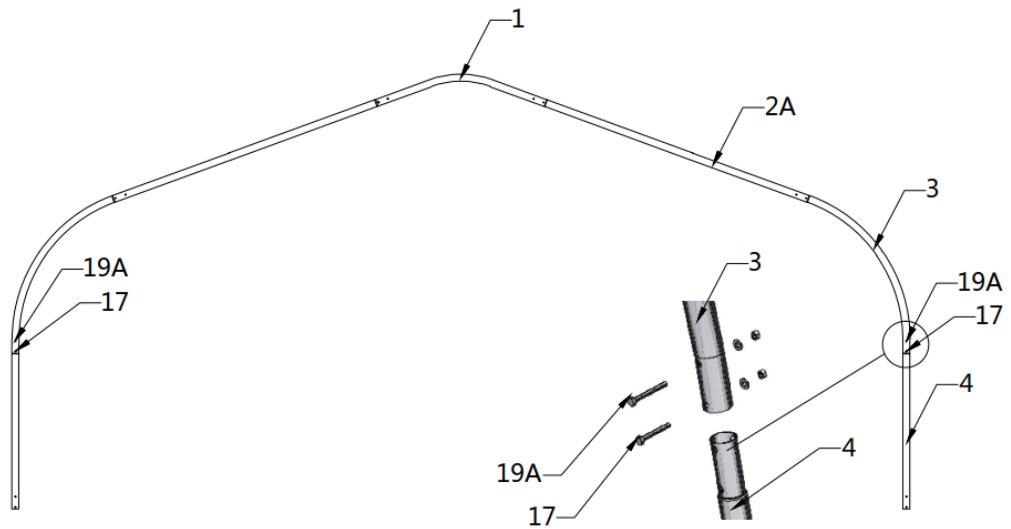
| NO. | PART | QTY |
|-----|------|-----|
| 5L | | 2 |
| 5R | | 2 |
| 6 | | 2 |

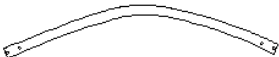
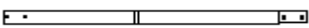
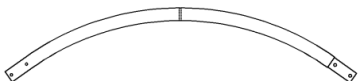
| NO. | PART | QTY |
|-----|------|-----|
| 6A | | 2 |
| 7 | | 10 |
| 16 | | 50 |

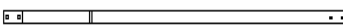


STEP 3 : ASSEMBLE ALL TRUSSES.

- The building includes 7 trusses: (1) front truss, (1) rear truss, and (5) middle trusses. The front and the rear truss are to install with the fabric panel (#23 and #23A).

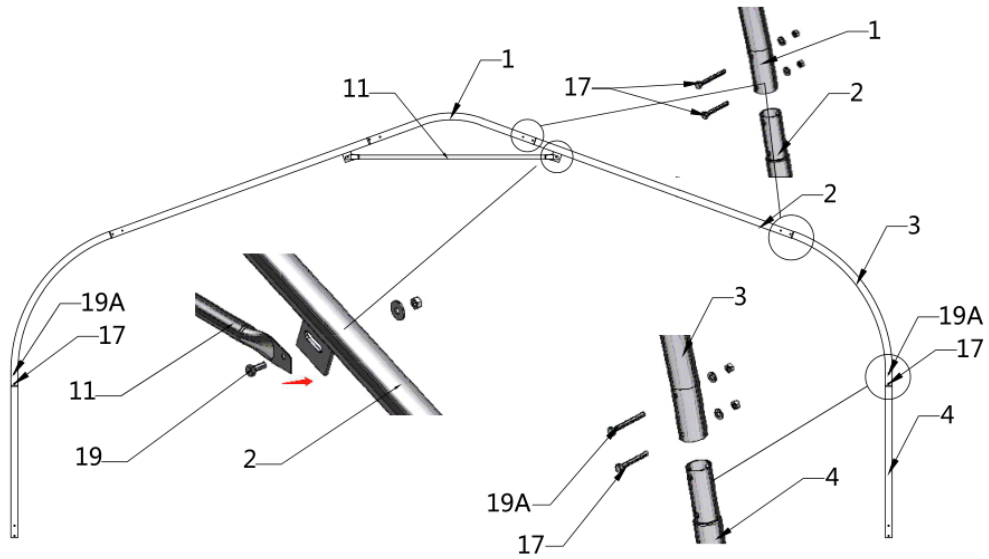
FRONT TRUSS



| NO. | PART | QTY |
|-----|---|-----|
| 1 |  | 1 |
| 2A |  | 2 |
| 3 |  | 2 |

| NO. | PART | QTY |
|-----|---|-----|
| 4 |  | 2 |
| 17 |  | 10 |
| 19A |  | 2 |

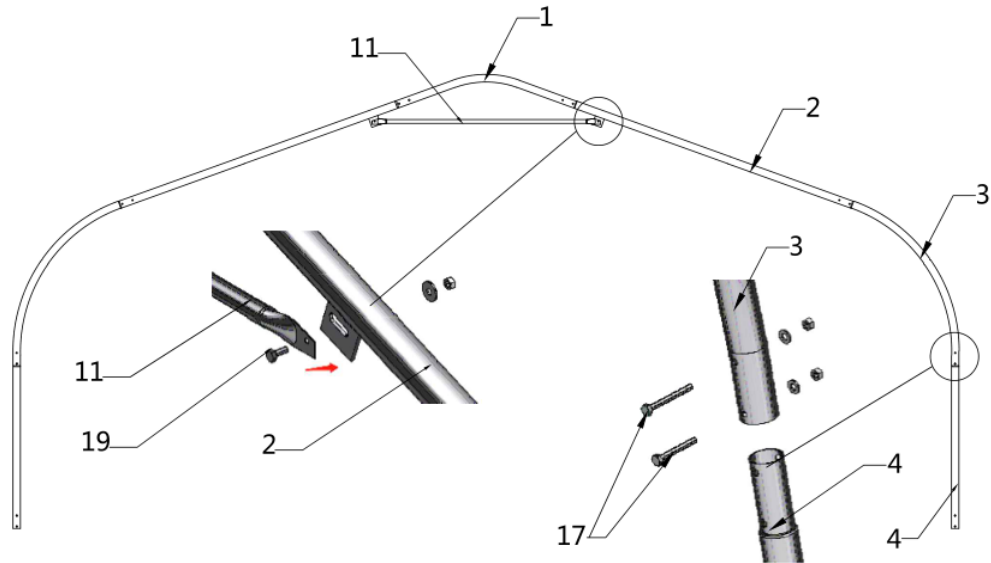
REAR TRUSS


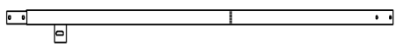
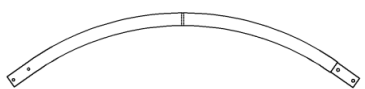
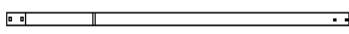


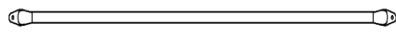


| NO. | PART | QTY |
|-----|------|-----|
| 1 | | 1 |
| 2 | | 2 |
| 3 | | 2 |
| 4 | | 2 |

| NO. | PART | QTY |
|-----|------|-----|
| 11 | | 1 |
| 17 | | 10 |
| 19 | | 2 |
| 19A | | 2 |

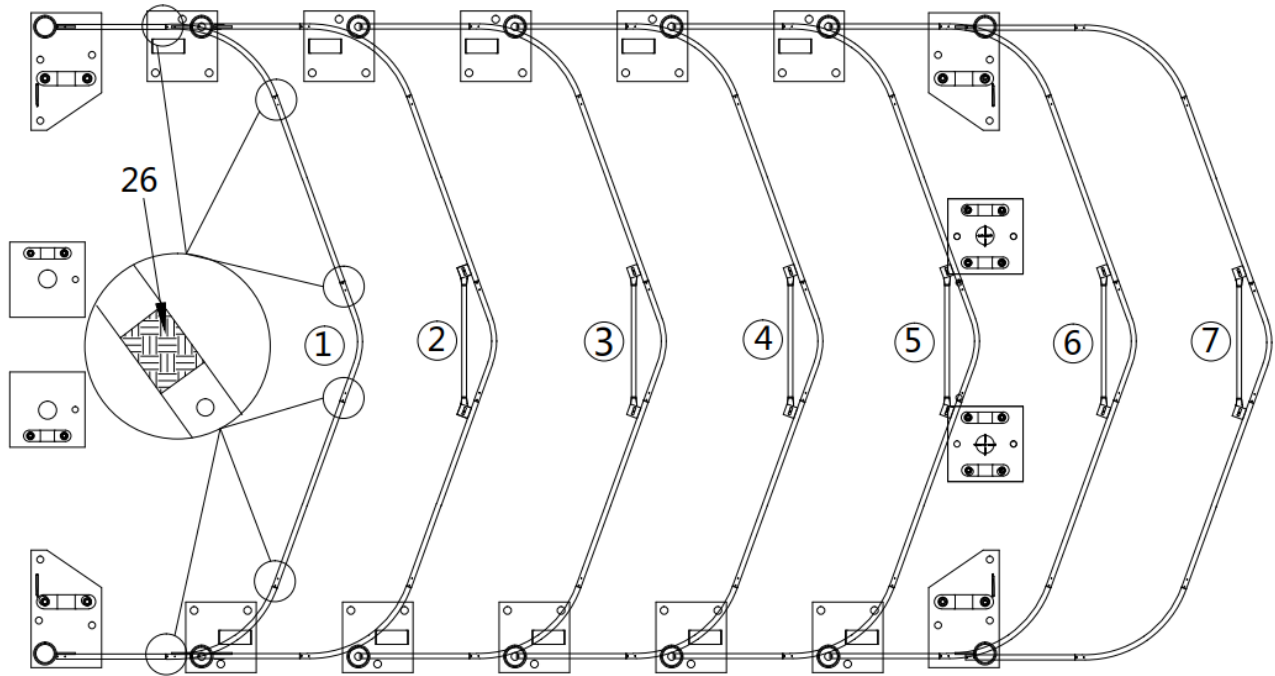
MIDDLE TRUSSES

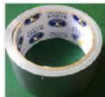


| NO. | PART | QTY |
|-----|---|-----|
| 1 |  | 1x5 |
| 2 |  | 2x5 |
| 3 |  | 2x5 |
| 4 |  | 2x5 |

| NO. | PART | QTY |
|-----|---|------|
| 11 |  | 1x5 |
| 17 |  | 12x5 |
| 19 |  | 2x5 |
| | | |

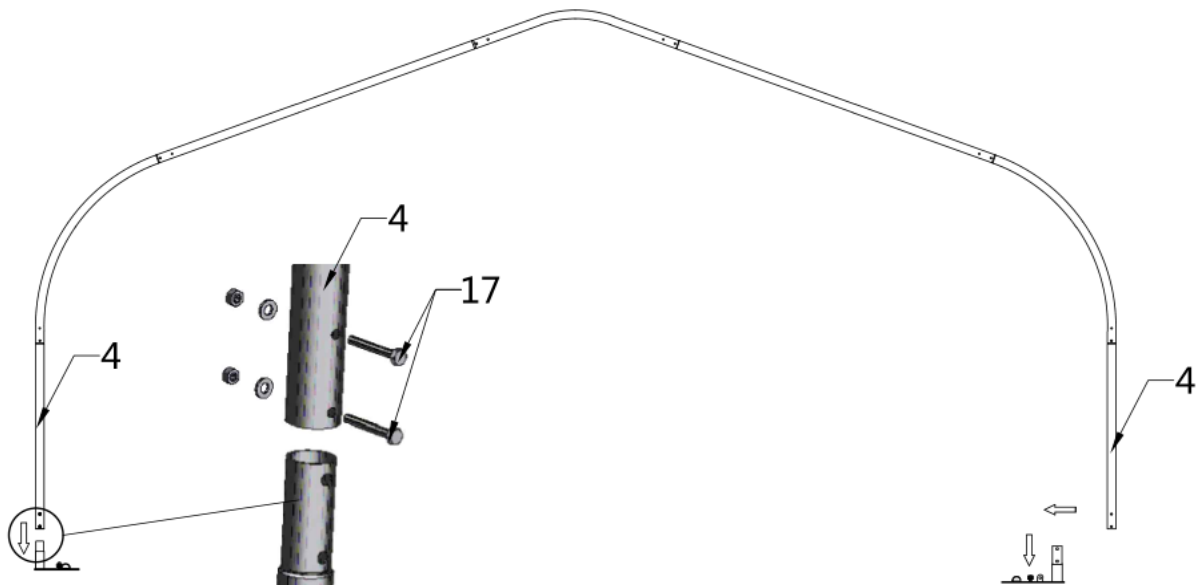
- Lay down all (7) trusses on the ground as when the assembly is all completed and before moving to next step.




| NO. | PART | QTY |
|-----|---|-----|
| 26 |  | 2 |

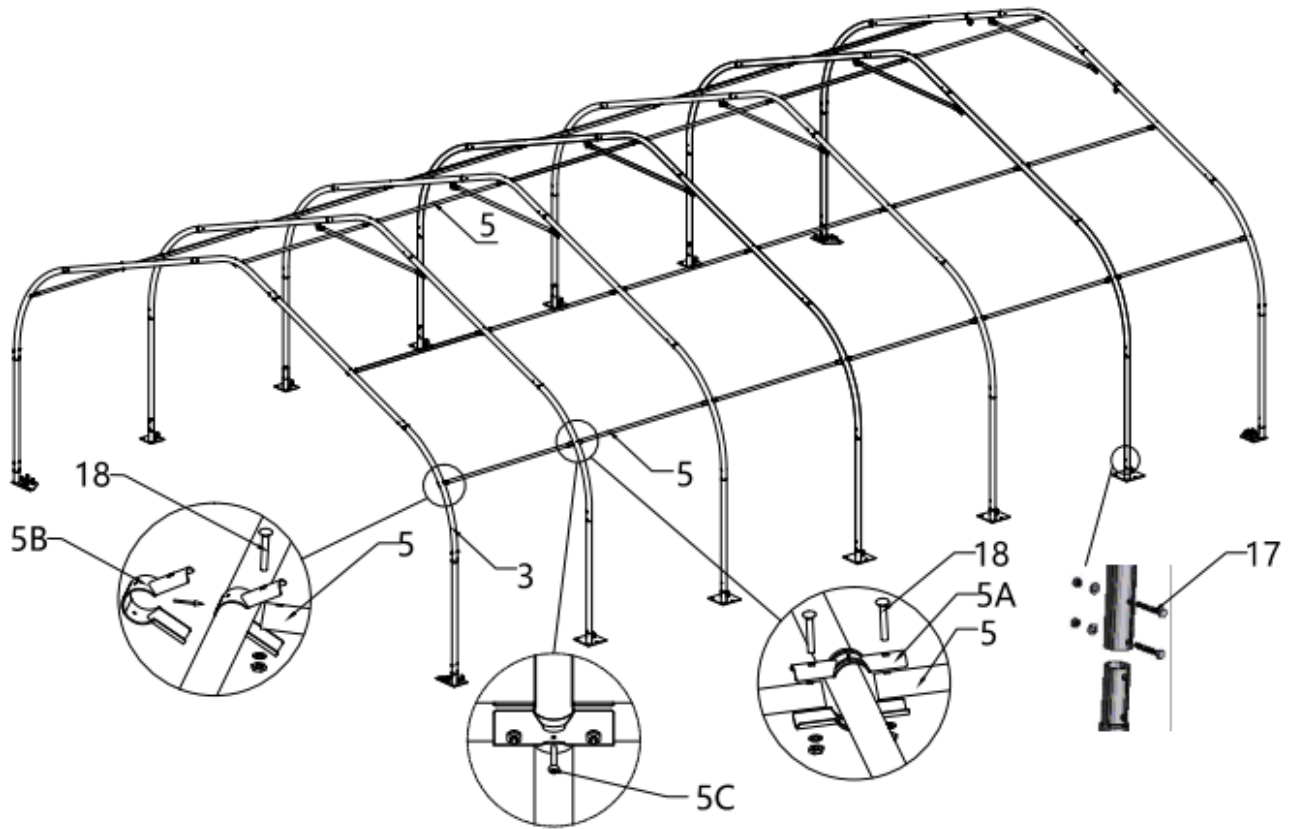
STEP 4 : PUT UP THE FRONT (1ST) TRUSS.

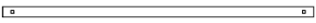





- Use of a crane or forklift is recommended, otherwise a team can use ropes to lift the trusses, but you have to make sure it is safe, and have enough manpower. We recommend 3 to 5 people to pull the truss up from different directions. When the truss is up, tie the ropes to the heavy objects to make sure the truss will stay upright and use bolt (#17) to connect the truss to the baseplate on both sides.



| NO. | PART | QTY |
|-----|---|-----|
| 17 |  | 4 |

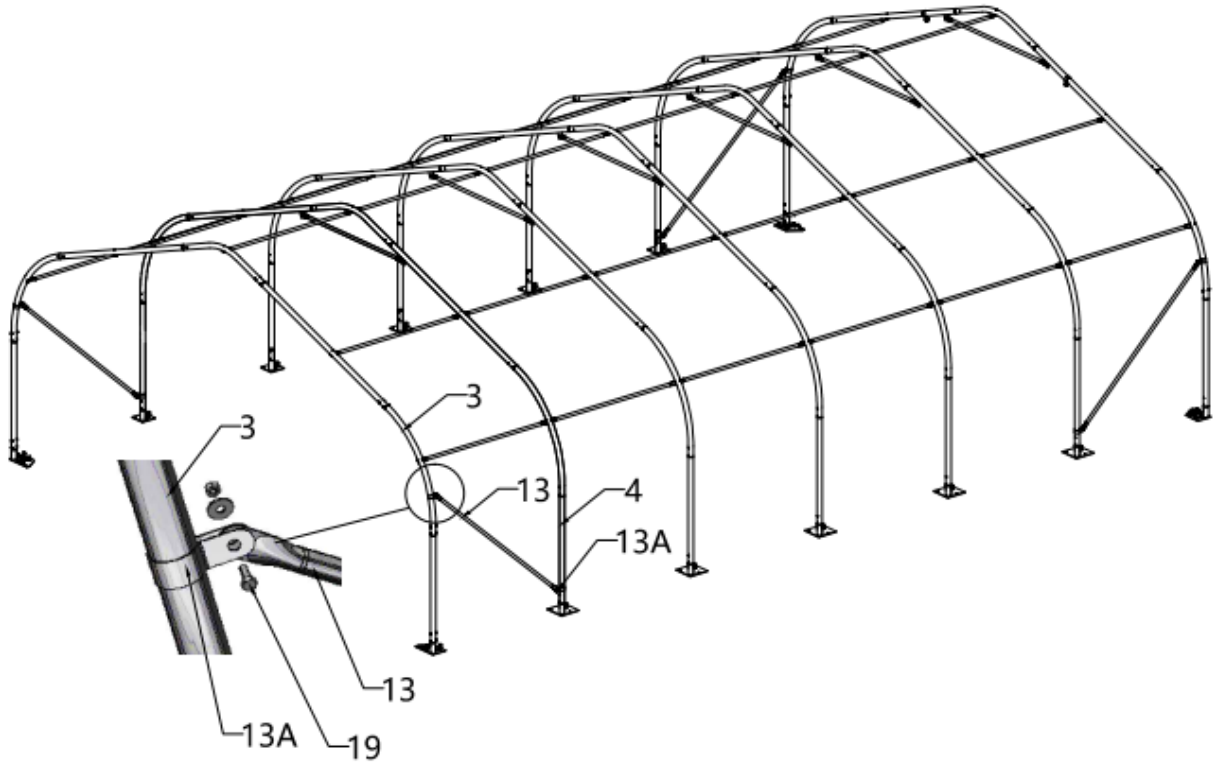
- Refer to Step 4 to put up the rest trusses, connect all purlins (#5) and (#5A) with bolt (#18) and bolt (#19) secure all bolts firmly on each span before going to next truss.



| NO. | PART | QTY |
|-----|---|-----|
| 5 |  | 30 |
| 5A |  | 50 |
| 5B |  | 10 |
| 5C |  | 35 |
| 17 |  | 24 |
| 18 |  | 60 |

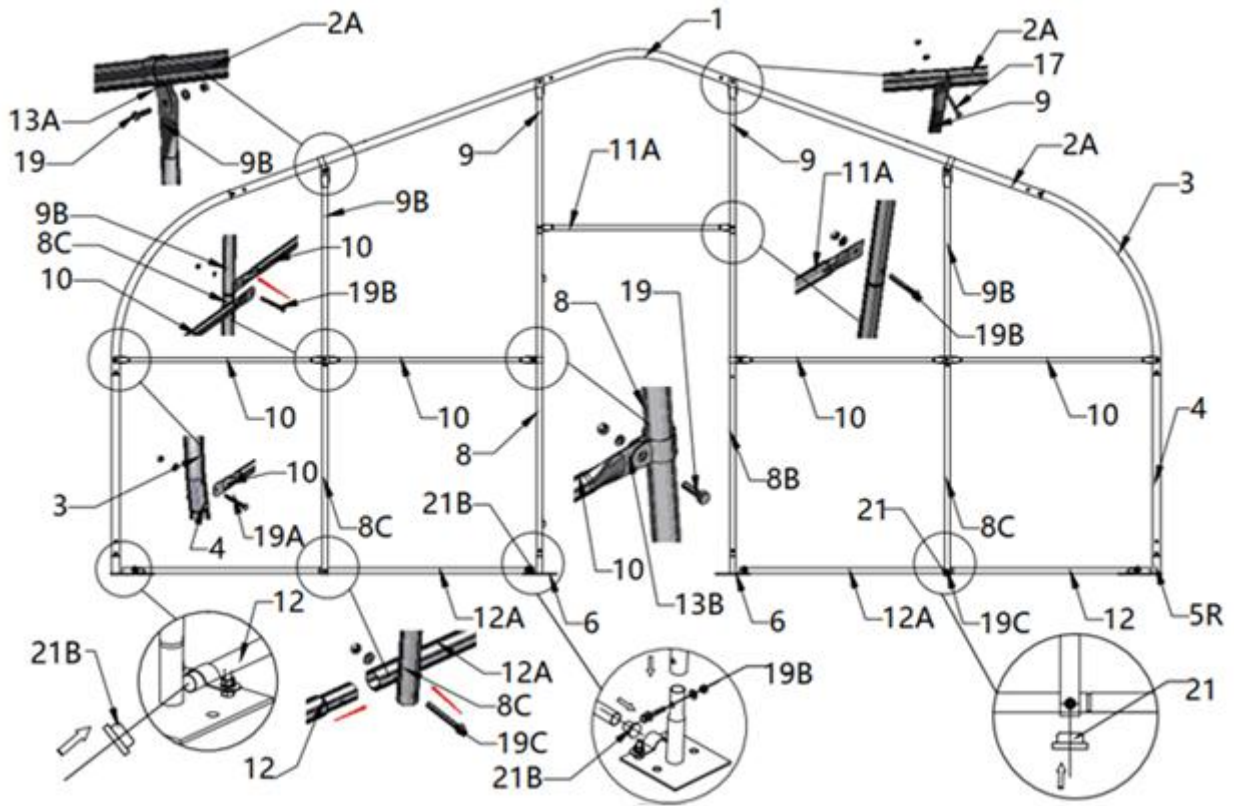
STEP 5 : INSTALL THE DIAGONAL BRACING BARS (#13).

- Connect diagonal bracing bar (#13) on the first and last span between the shoulder tube and lower rafter tube (#3 and #4) with tube clamp (#13A), use bolt (#19).



| NO. | PART | QTY |
|-----|------|-----|
| 13 | | 4 |
| 13A | | 8 |
| 19 | | 8 |

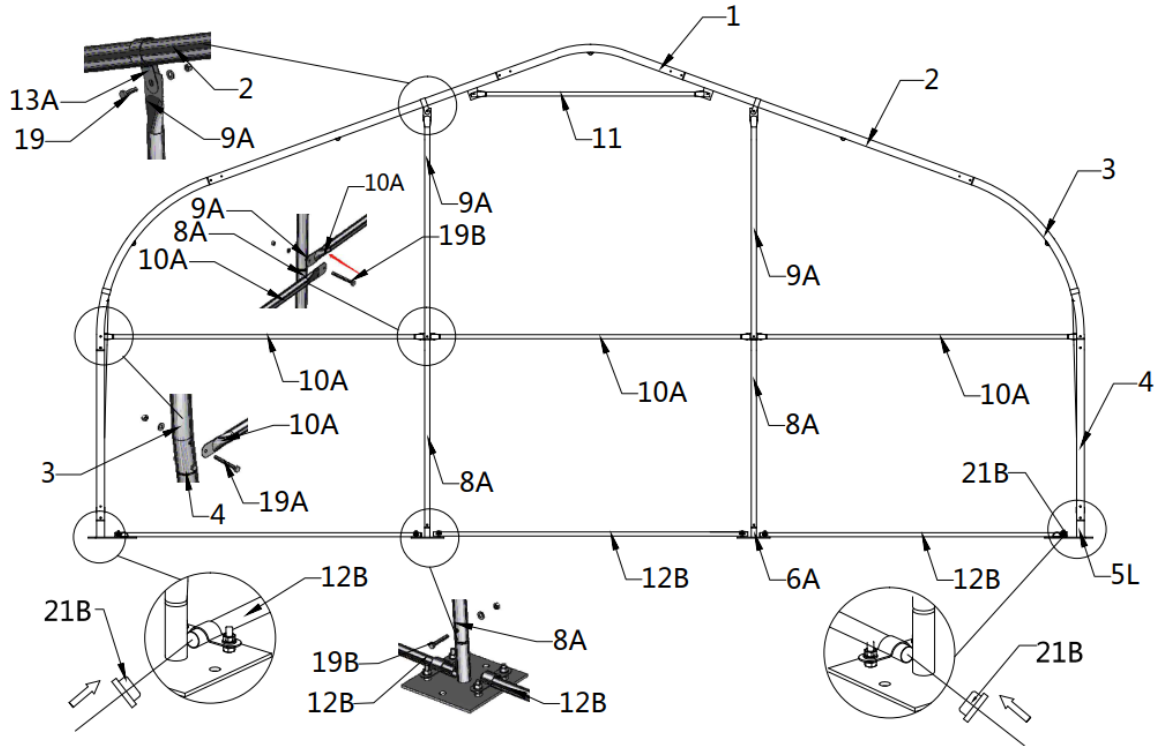
STEP 6 : INSTALL THE REMAINING PARTS ON THE FRONT TRUSS.



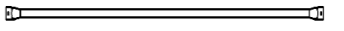







| NO. | PART | QTY |
|-----|------|-----|
| 8 | | 1 |
| 8B | | 1 |
| 8C | | 2 |
| 9 | | 2 |
| 9B | | 2 |
| 10 | | 4 |
| 11A | | 1 |
| 12 | | 2 |

| NO. | PART | QTY |
|-----|------|-----|
| 12A | | 2 |
| 13A | | 2 |
| 13B | | 2 |
| 19 | | 4 |
| 19B | | 6 |
| 19C | | 2 |
| 21 | | 2 |
| 21B | | 4 |

STEP 7 : INSTALL THE REMAINING PARTS ON THE REAR TRUSS.

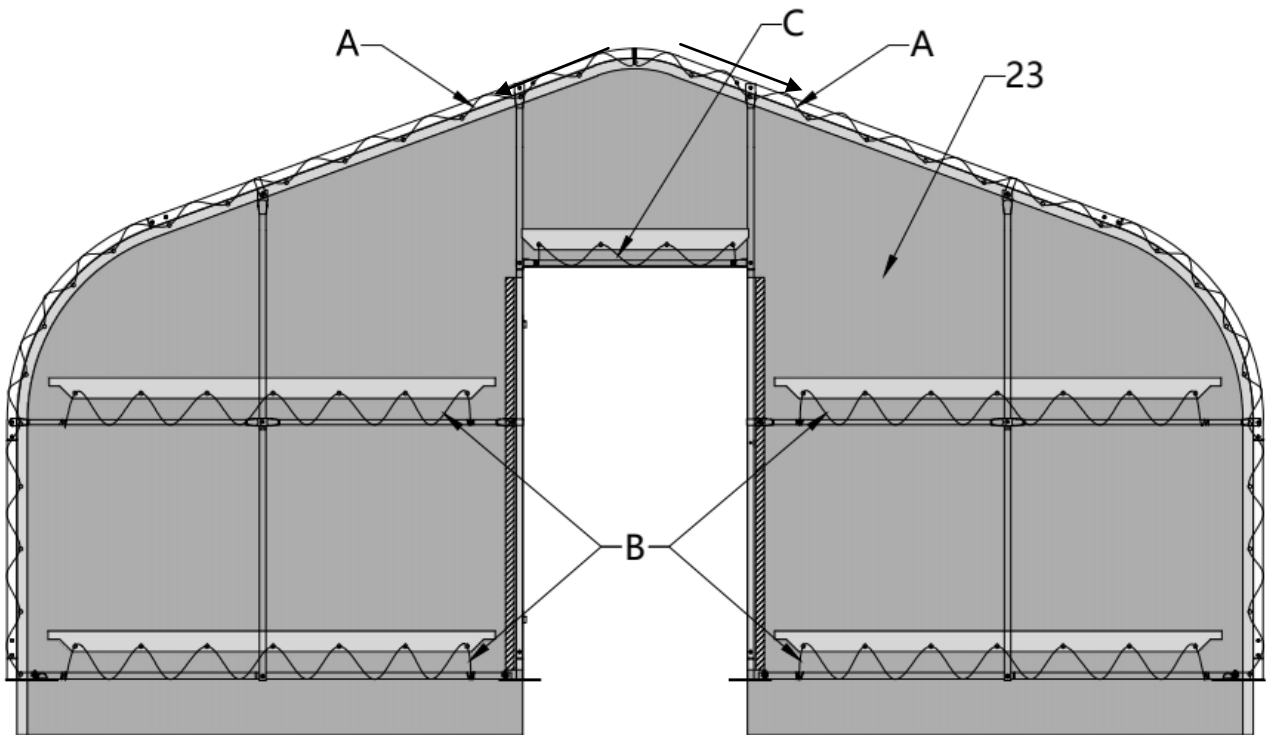


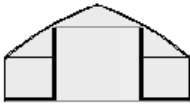

| NO. | PART | QTY |
|-----|---|-----|
| 8A |  | 2 |
| 9A |  | 2 |
| 10A |  | 3 |
| 12B |  | 3 |


| NO. | PART | QTY |
|-----|---|-----|
| 13A |  | 2 |
| 19 |  | 2 |
| 19B |  | 4 |
| 21B |  | 6 |

STEP 8 : INSTALL FRONT COVER PANEL, WHAT YOU SEE IN THIS PICTURE IS THE INSIDE.

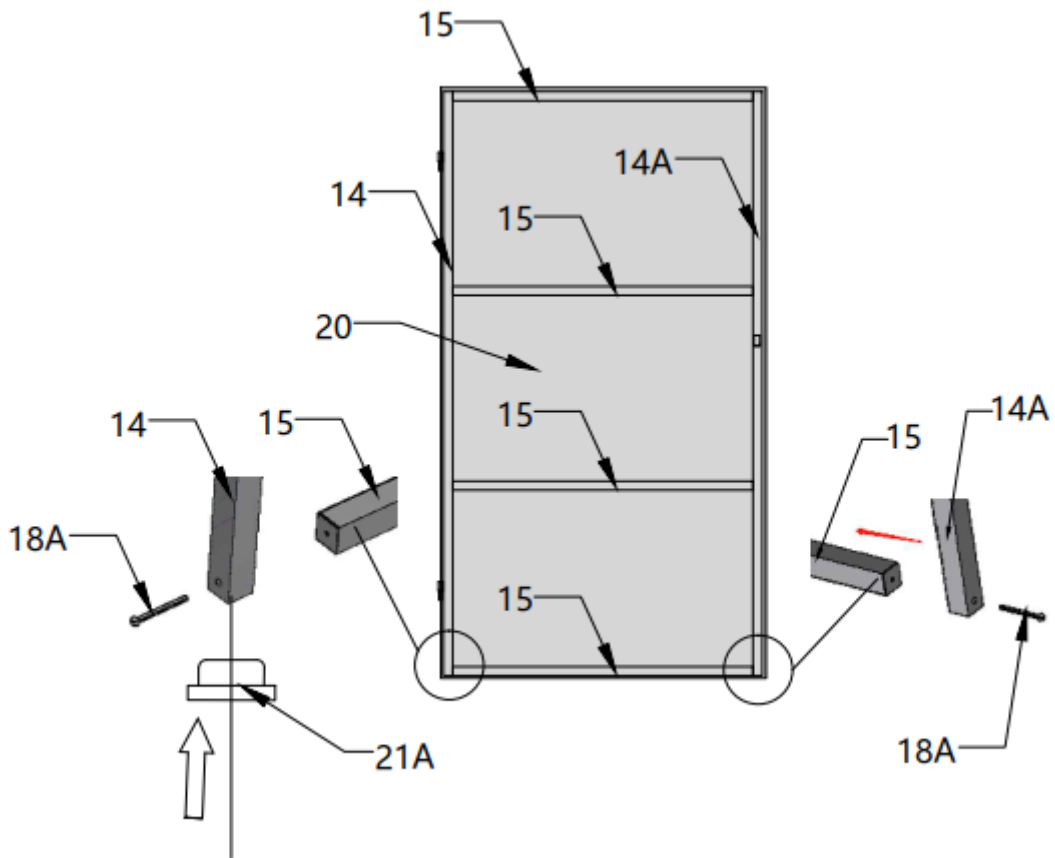
- Lift the fabric panel (#23), starting from the center point (the highest ridge point) of the frame, tie the panel firmly to the truss with a rope (A) through the grommet, and then tie one end of (A) to the truss. The woven fabric at the posts (#8) and (#8A) of the door frame is tension with velcro.


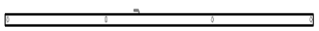






| NO. | PART | QTY |
|-----|---|-----|
| 23 |  | 1 |
| 24 |  | 32m |

| ROPE CUTTING SIZE | | |
|-------------------|--|-----|
| 24 |  | QTY |
| A | 7000mm | 2 |
| B | 4000mm | 4 |
| C | 2000mm | 1 |

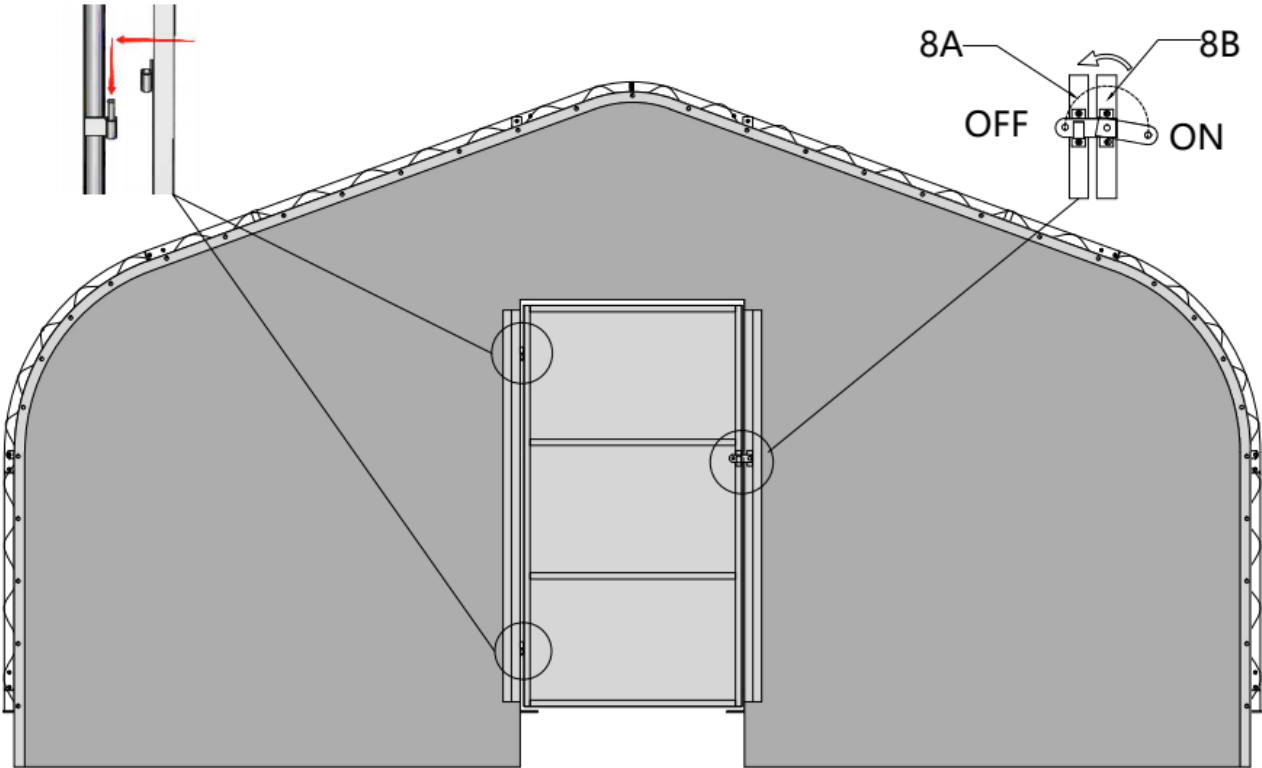
- Assemble the sliding door. Fix the door column (#14) and (#14A) on the cross pull tube (#15) with bolts (#18A).



| NO. | PART | QTY |
|-----|---|-----|
| 14 |  | 1 |
| 14A |  | 1 |
| 15 |  | 4 |

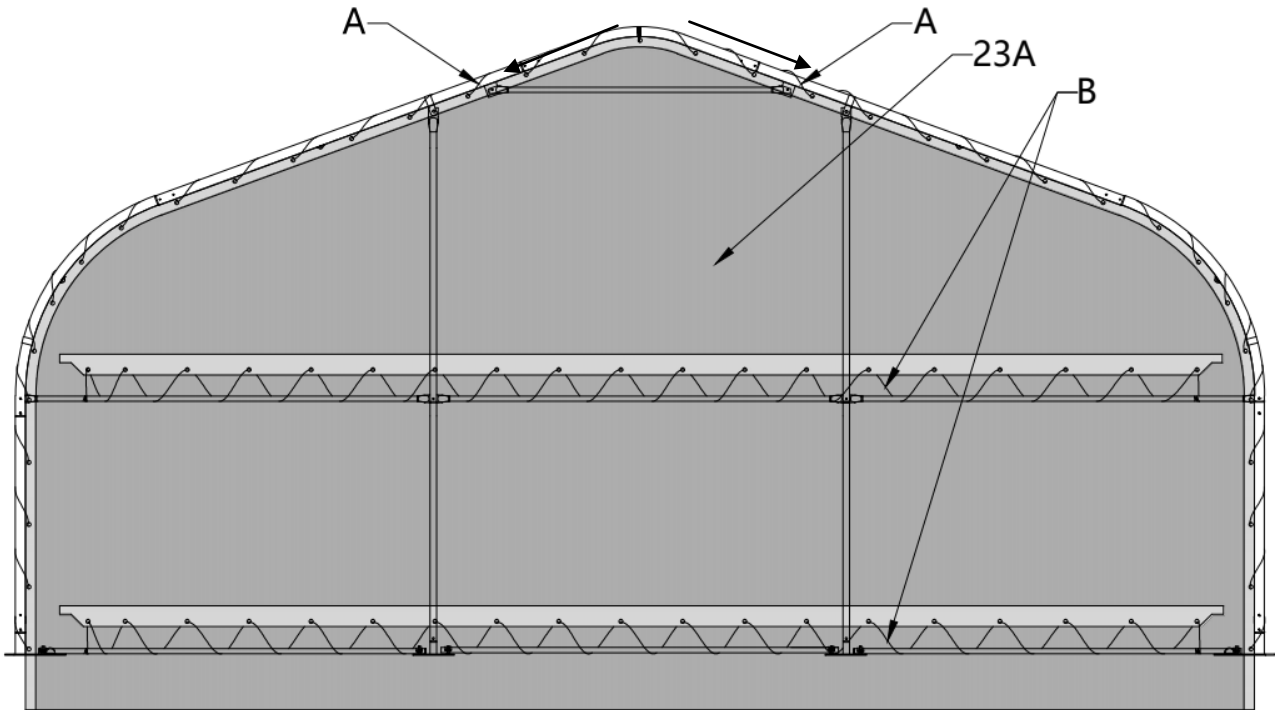
| NO. | PART | QTY |
|-----|---|-----|
| 18A |  | 8 |
| 20 |  | 1 |
| 21A |  | 4 |

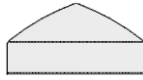

- Sliding door installation. The assembled door cover cloth (#20) of the sliding door cover is fixed on the door frame of the front truss through the hinge.




STEP 9 : INSTALL REAR COVER PANEL, WHAT YOU SEE IN THIS PICTURE IS THE INSIDE.

- Use rope (#24) to lift up the rear cover (#23A) from the center grommet and tie it firmly to the truss tube and spread toward both sides through each grommet along the tube.



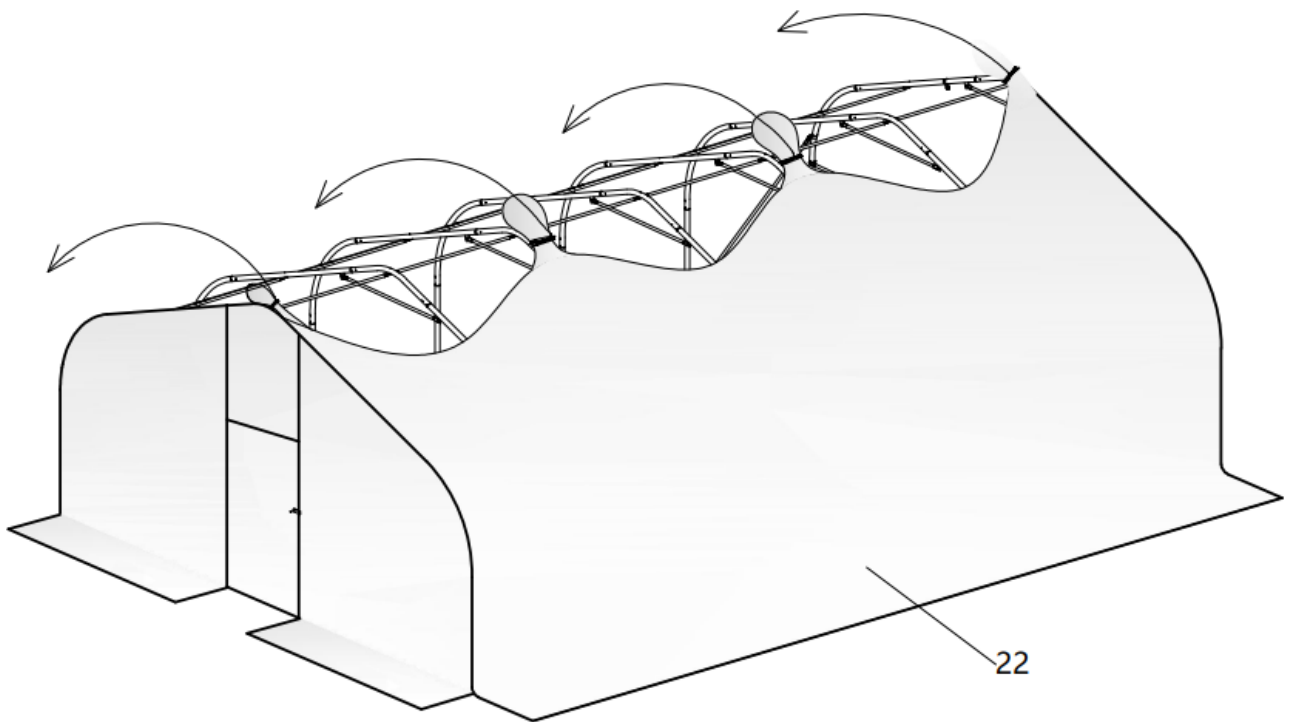
| NO. | PART | QTY |
|-----|---|-----|
| 23A |  | 1 |
| 24 |  | 32m |


| ROPE CUTTING SIZE | | |
|-------------------|--|-----|
| 24 |  | Qty |
| A | 7000mm | 2 |
| B | 9000mm | 2 |

STEP 10 : INSTALL THE TOP COVER (#22) STRETCH AND TIGHTEN TOP COVER

DO NOT INSTALL THE COVER DURING WINDY WEATHER!

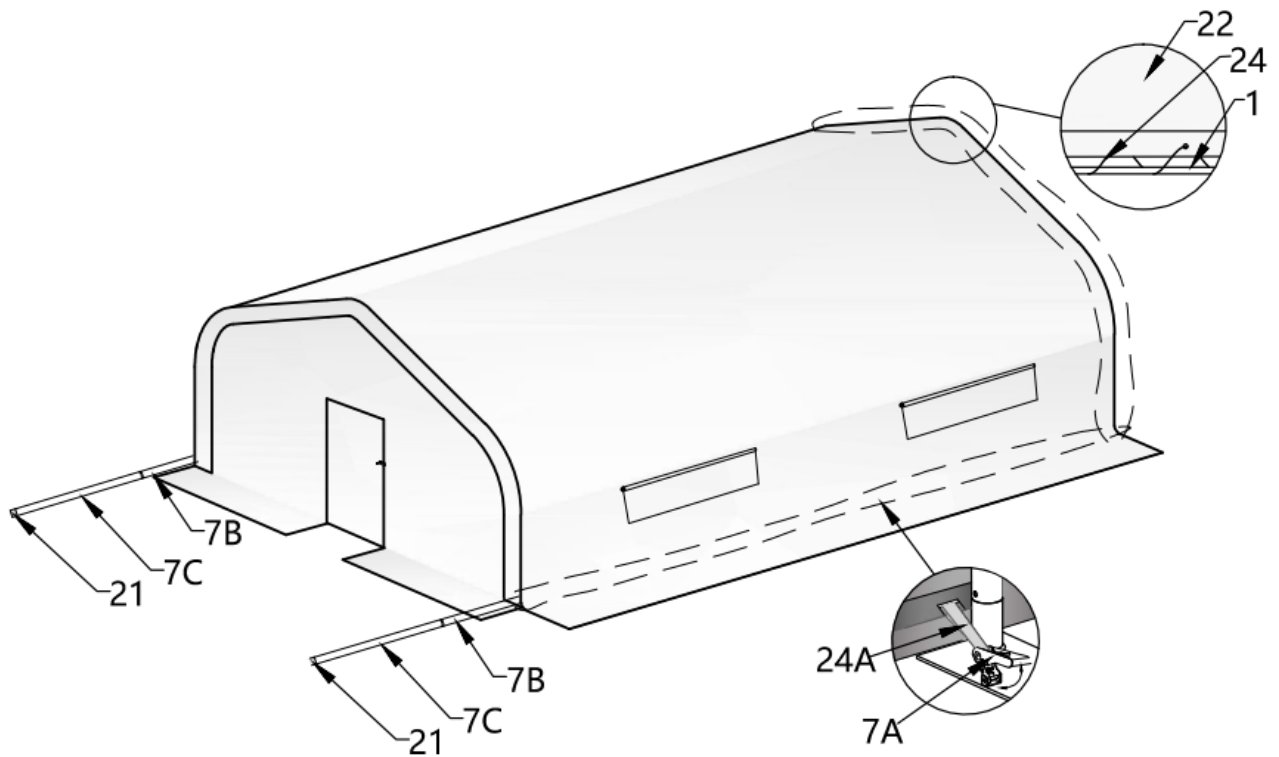
- Stretch and adjust the cover from back and forth, to make sure it is square and centered.
- Unpack the top cover and place it along one of the long sides of the structure.
- Use 3 to 5 ropes (#24) to pull the cover over the top of the structure, from the inside 2 or 3 people standing inside on ladders to push upwards will help to move the cover without any damage.









| NO. | PART | QTY |
|-----|---|-----|
| 22 |  | 1 |
| | | |

STEP 11 : STRETCH AND TIGHTEN TOP COVER.

- The roof cover must be stretched and tied to the front and rear truss by rope going through the flap grommets on the cover. Start from the top center and go toward both side on each end. Add or cut the rope as needed.
- Pull and stretch the cover enough only to take wrinkles out. Repeat for the rear truss. Do not over stretch as it could rip off the grommets.



| NO. | PART | QTY |
|-----|--|-------|
| 7A |  | 14 |
| 7B |  | 8 |
| 7D |  | 2 |
| 21 |  | 4 |
| 24 |  | 15mx2 |
| 24A |  | 14 |

AFTER THE INSTALLATION.

Inspect the building periodically to make sure the parts are firmly fixed and the whole building is well supported. Check all bolts and hardware connectors to make sure they are in place and tightened. Check the base plates, adjust the ropes if necessary and clean the cover regularly.

Snow accumulating on the fabric cover must be removed as soon as possible. If the snow had become the solid ice on the cover, it would increase the burden of the roof and collapse the building eventually or reduce the life span.

Keep the building on a dry ground condition most of the time. Do not keep the fabric dirt skirt under water all the time, otherwise the fabric will deteriorate easily.

We strongly recommend you remove any snow from the roof immediately. Do not leave any snow load on the roof overnight. Keep 3 feet of clearance from both sides and two ends of the ground all the time. Do not allow snow to accumulate and pile up on both sides of the building. Otherwise the pressure from both sides will push toward the building and make it collapse eventually.