

9-Piece Garage Storage Combo

Workbench Station(Black/Orange)

Manual

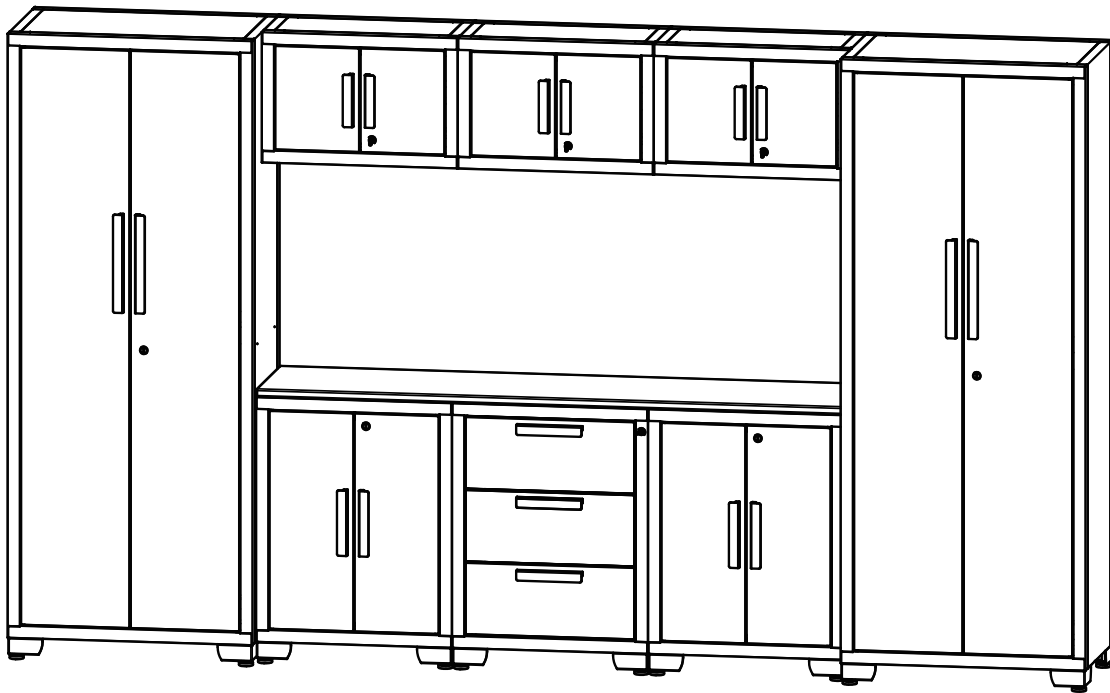


Table of Contents

Important ----- 3

Safety Guidelines ----- 3

Unpacking ----- 4

Hardware Included ----- 4

Tools Required ----- 4

Manufacturer’s Limited Lifetime Warranty ----- 5

3-Drawer Cabinet ----- 6

2-Door Base Cabinet ----- 5

Wall Cabinet ----- 7

Locker ----- 7

Installing the Handles ----- 8

Installing the Feet ----- 8

Installing the Shelves ----- 8

Installing the Worktop ----- 9

Setup ----- 10

1. Planning the position of the cabinets ----- 10

2. Hanging the lockers and wall cabinets on wall ----- 10

3. Connecting the cabinets and lockers together ----- 11

Operation ----- 12

Maintenance ----- 12

Important

Please check the contents carefully and make sure there is no damage to the product prior to assembly. If there are parts that are damaged or missing, please call us at 1-877-761-2819 (Monday to Friday, 8:30 a.m. – 5:00 p.m. PST).

Do not return the product to the store before contacting us. Do not dispose the cartons until you are completely satisfied with your products.

To reduce the risk of injury, please read the instructions on the manual carefully before assembling and using the product for the first time.

Fill in the following information and retain this manual for future reference:

Item No. _____
Date of Purchase _____
Place of Purchase _____
Receipt No. _____

Safety Guidelines

- WARNING** Have two or more people to move, assemble, and install the product to avoid any injury.
- WARNING** DO NOT leave children unattended near the product.
- WARNING** DO NOT stand on the product or lean on the drawers or worktop.
- WARNING** WEAR SAFETY GLASSES when removing or repositioning the slides. The tools could slip, and may cause injury.
- WARNING** DO NOT alter the product in any manner. For example, do not weld external lock bars or attach unapproved electrical equipment. This may damage the product, cause personal injury or death.
- WARNING** DO NOT OVERLOAD PRODUCTS! The components of the product are designed to carry the following maximum weight capacities:

| Cabinet | Shelf Weight Capacity (lbs.) | Drawer Weight Capacity (lbs.) | Bottom Weight Capacity (lbs.) | Top Weight Capacity (lbs.) | Overall Weight Capacity (lbs.) |
|---------------------|------------------------------|-------------------------------|-------------------------------|----------------------------|--------------------------------|
| Locker | 150 | / | 220 | 150 | 820 |
| Wall Cabinet | / | / | 100 | / | 100 |
| 2-Door Base Cabinet | 150 | / | 150 | 220 | 520 |
| 3-Drawer Cabinet | / | 100 | / | 220 | 520 |

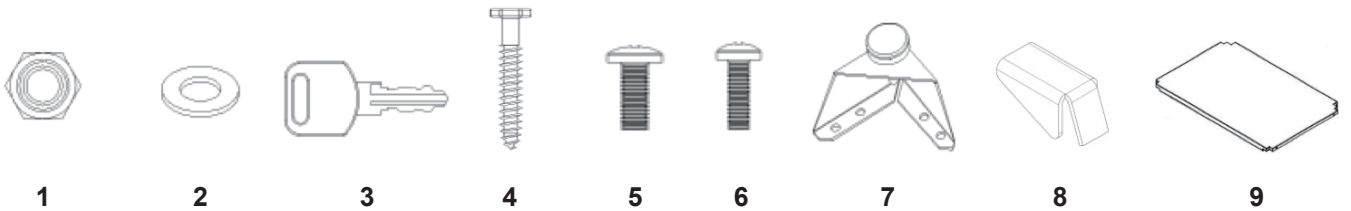
- CAUTION** BE CAREFUL when opening more than one drawer. The product could become unstable and tip, which may cause product damage or personal injury.
- CAUTION** High risk of tipping if the product is not installed correctly. Securely attach the product to the wall to avoid serious injury.

Unpacking

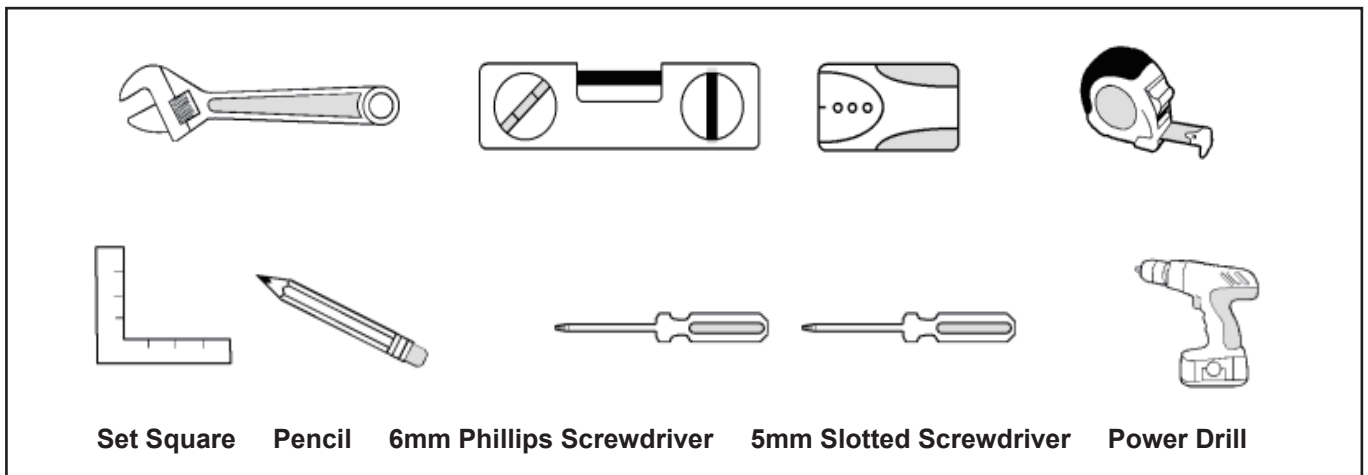
1. Start by placing the package on flat covered ground.
2. Remove all the cardboards, foam packaging material and plastic bags.
3. Verify all the contents that are included and gather the tools required.

Hardware Included

| NO | DESCRIPTION | QTY. FOR WALL CABINET | QTY. FOR BASE CABINET | QTY. FOR 3-DRAWER CABINET | QTY. FOR LOCKER |
|----|--------------------------------------|-----------------------|-----------------------|---------------------------|-----------------|
| 1 | M6 Hex Flange Nut50 | 4 | 4 | 4 | 4 |
| 2 | Flat Washer | 4 | 2 | 2 | 4 |
| 3 | Key | 2 | 2 | 2 | 2 |
| 4 | M5 x 50 Hex Tapping Bolt | 4 | 2 | 2 | 4 |
| 5 | M6 x 12 Flat-Head Bolt | 4 | 24 | 24 | 20 |
| 6 | M5 x 12 Flat-Head Bolt (on the door) | 4 | 4 | 6 | 4 |
| 7 | Adjustable Leveling Feet | 0 | 4 | 4 | 4 |
| 8 | Clip | 0 | 4 | 0 | 12 |
| 9 | Shelf | 0 | 1 | 0 | 3 |



Tools Required



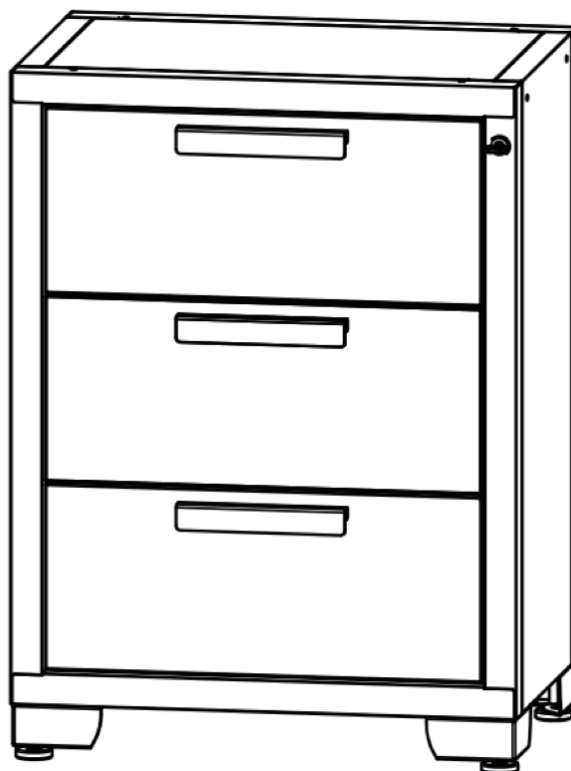
Limited Lifetime Warranty

The Limited Lifetime Warranty of the 9-Piece Garage Storage Combo is subject to all of the following conditions and exclusions. The product warrants the verified original purchaser that there will be no defects in craftsmanship, materials or assembly for the lifetime of the product. Should there be any defects in the above listed categories, TMG Industrial will provide parts at its sole discretion.

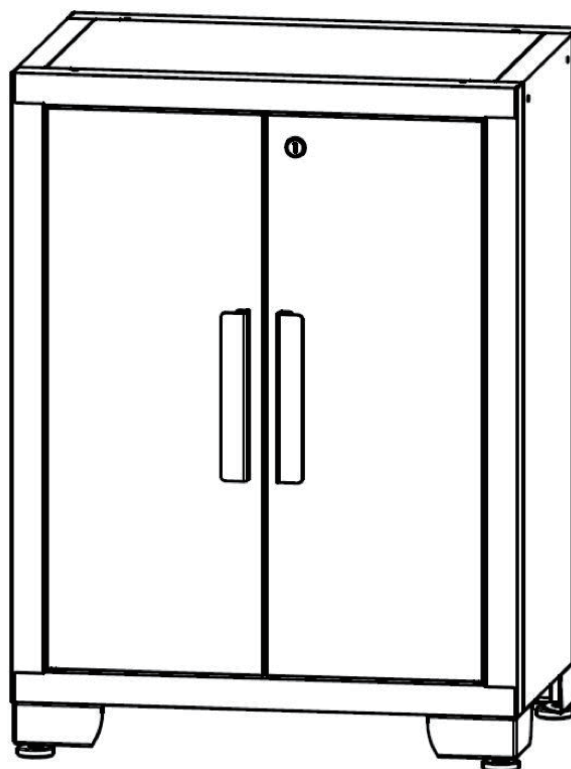
This warranty is not transferrable and only the verified original purchaser will be entitled to the service provided in the warranty. This warranty does not cover damages done by incorrect assembly, abuse, unauthorized alteration of the product, normal wear or depletion.

For any warranty requests, please call our toll-free number at 1-877-761-2819 (Monday to Friday, 8:30 a.m. – 5:00 p.m. PST). Please have the purchase information ready before contacting us.

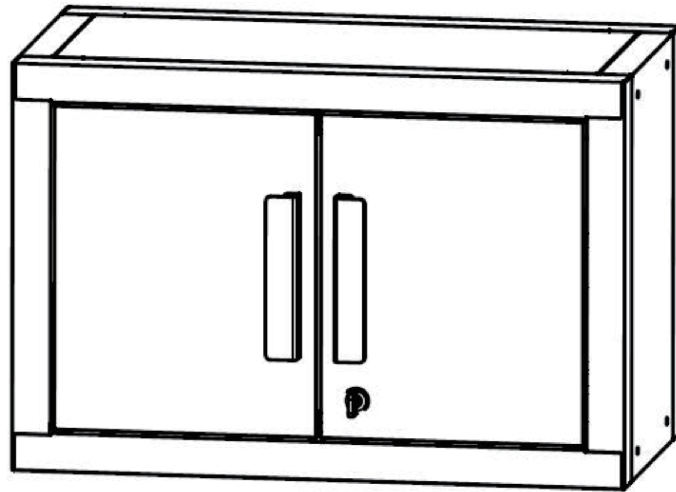
3-Drawer Cabinet



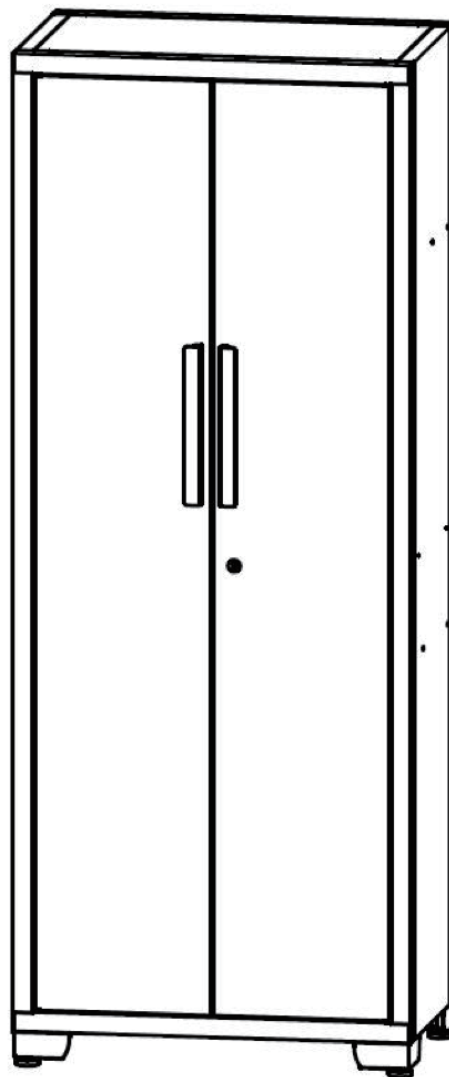
2-Door Base Cabinet



Wall Cabinet



Locker

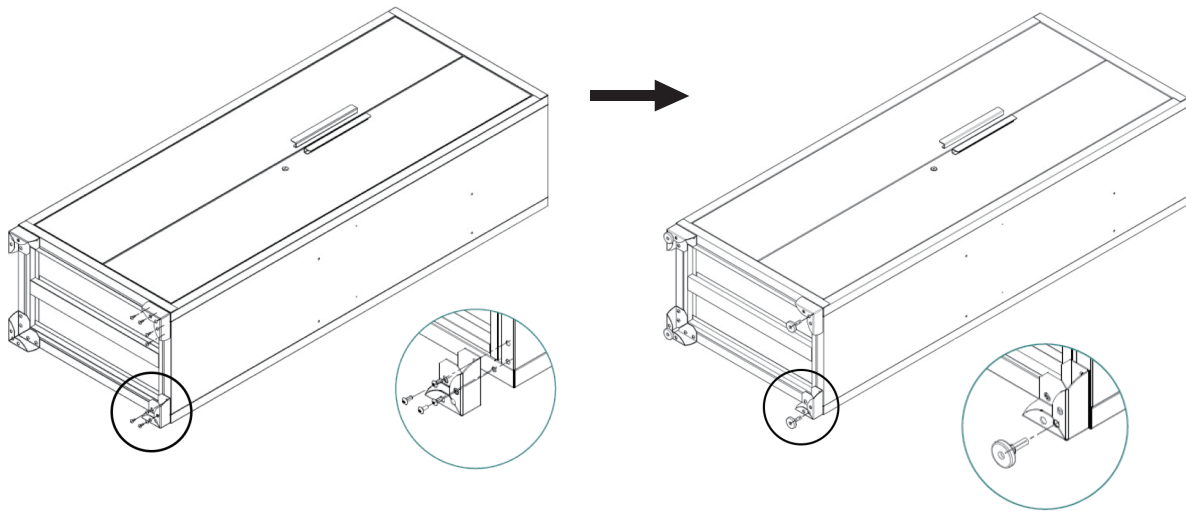


Installing the Handles

Unscrew the bolts on the front of the drawer or the door. Use a screw driver to remove the handle at the back, then attach the handle to the front of the door or the drawer using two **M5x12** flat head bolts. Repeat this for all the doors and drawers.

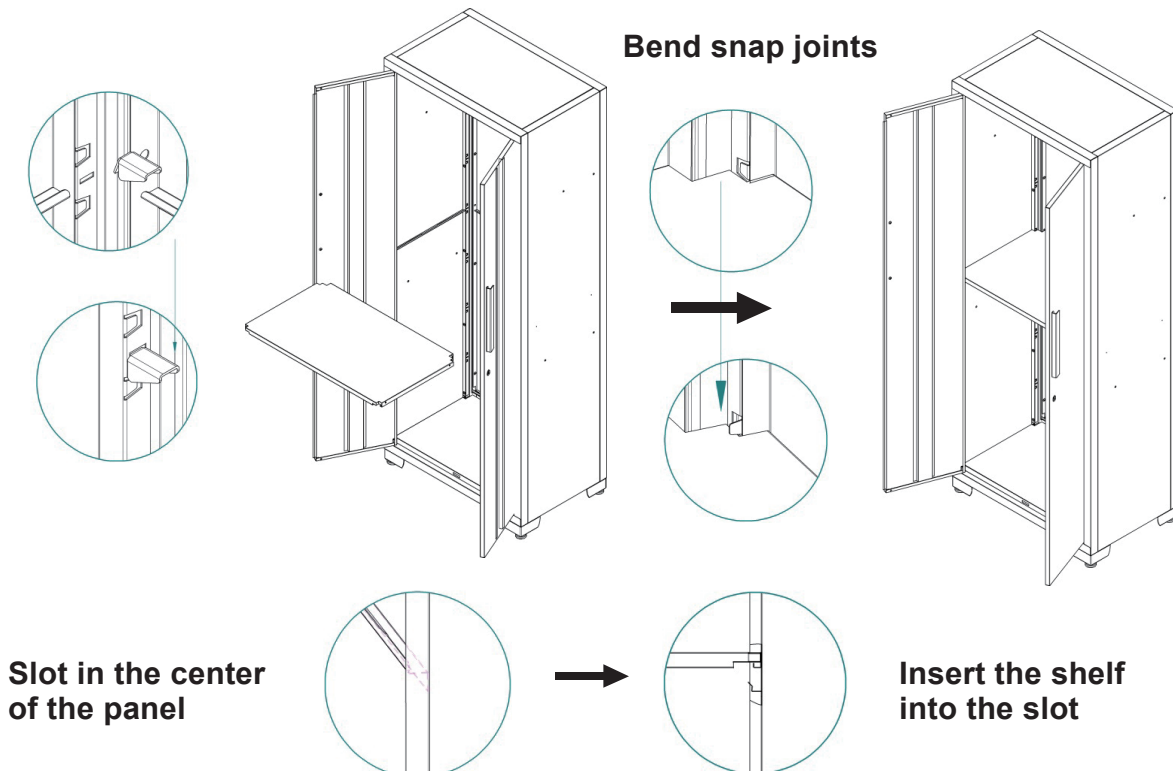
Installing the Feet

Carefully set the locker / 2-door base cabinet / 3-drawer cabinet on its back, then attach the adjustable leveling feet to the locker or the cabinet using sixteen **M6x12** flat-head bolts with a screwdriver.



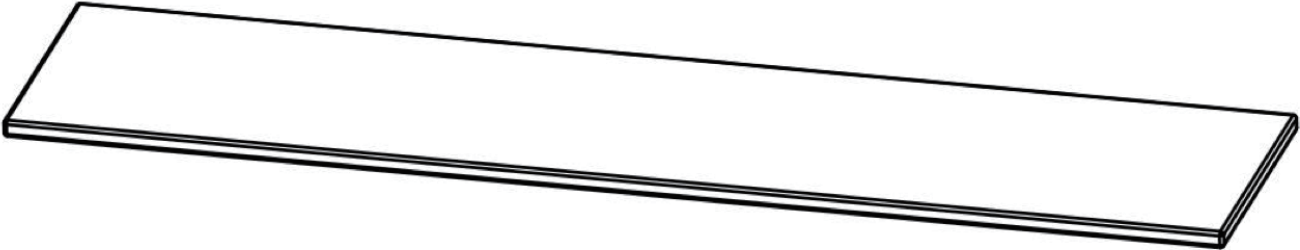
Installing the Shelves

Carefully insert four clips into the corners, then put the shelves on top of them. Bend the four snap joints on the frame. Install the center shelf last, the center board should be inserted into the slot to fasten it.

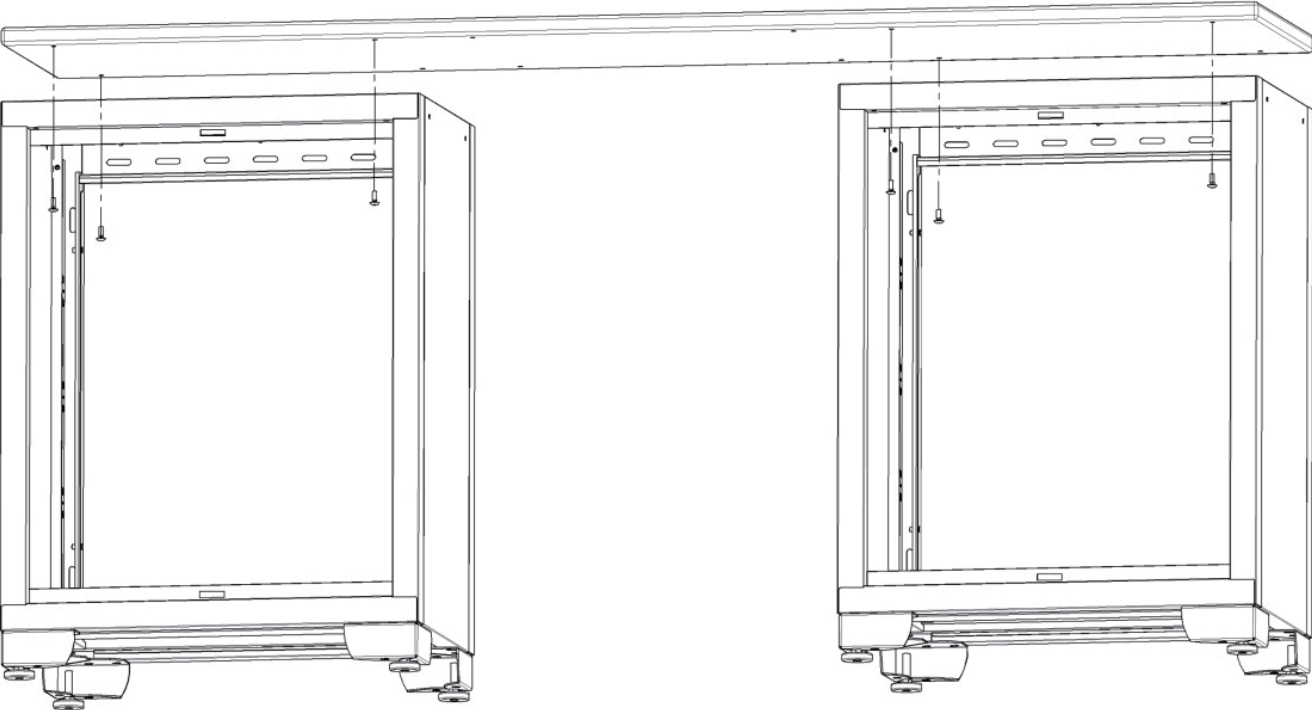


Installing the Worktop

Open the doors or remove the drawers to make sure that you have enough space to install the worktop.

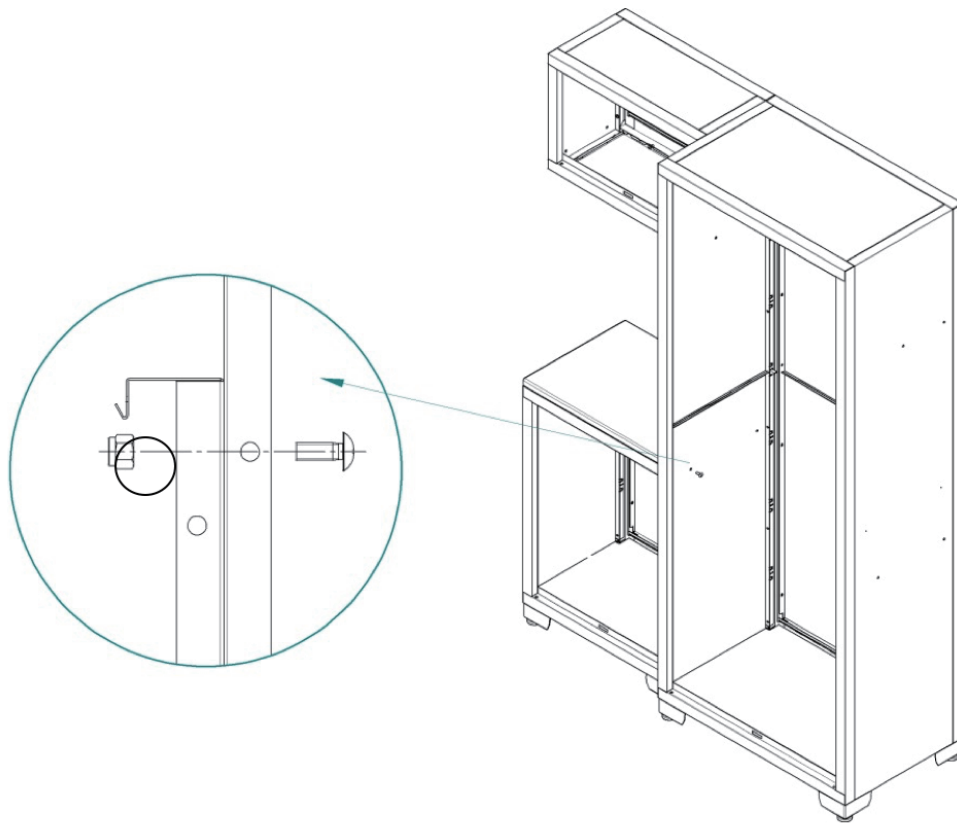


Carefully place the 71" worktop on top of the cabinets and fasten it with cordless power drill. Use the four screws in the parts package of each 2-door base cabinet / 3-drawer cabinet.



3. Connecting the cabinets and lockers together

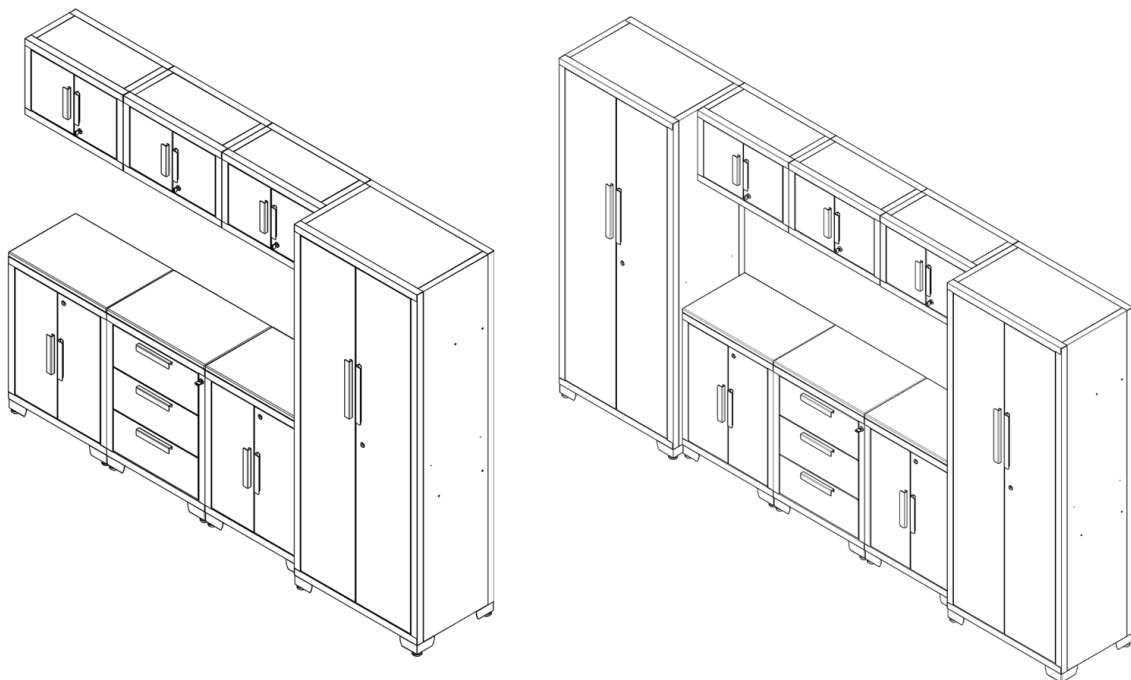
For the cabinet set, open all the doors and remove the top drawer. Push the base/wall cabinet and locker together. Insert two M6x12 flat-head bolts through the two interior holes and secure them together with two M6 Hex flange nuts using a screw driver and wrench.



Repeat this for other lockers and cabinets.

Tighten all the bolts to fasten the cabinets and level the cabinets.

The installation of the 9-piece garage classic series is completed.

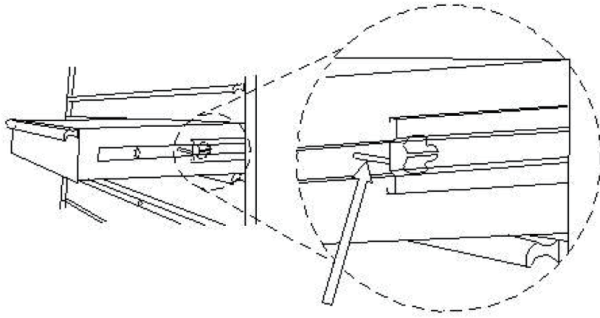


Operation

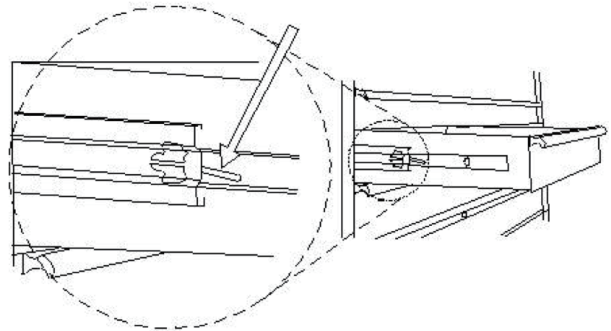
Drawer Removal

Pull the drawer out so that it's almost fully extended. Push up the black release lever on one side and pull down the black release lever on the other side. While holding the levers in the positions as illustrated below, pull the drawer outward until it is released from the drawer slide.

Push up one side



Push down the other side



Drawer Replacement

Extend the drawer slides from the cabinet. Insert the brackets on each side of the drawer into the slots in the slides, make sure to position them properly. Once inserted, close the drawer completely to set the slides in their proper position.

Maintenance

1. Lubricate the slides twice a year with a quality lubricant. This is especially necessary when the temperature drops, and cause the bearings to be stiff.
2. Periodically clean the drawer fronts, doors, handles and other surfaces gently.
3. For safety purposes, use a non-flammable cleaning fluid. Grease and oil can be removed with most standard cleaning fluids.