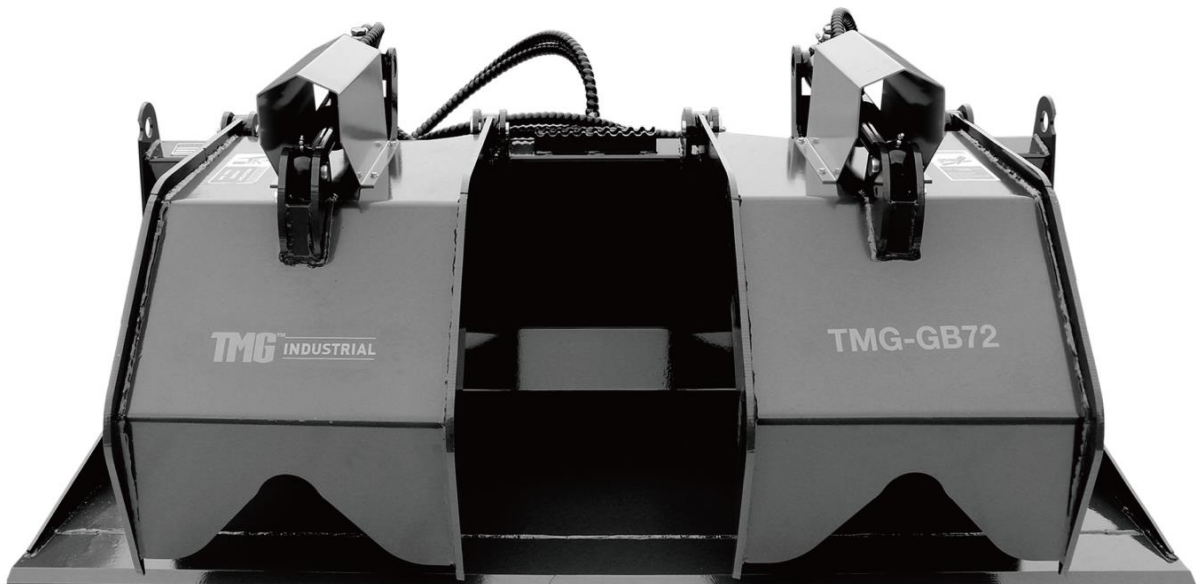
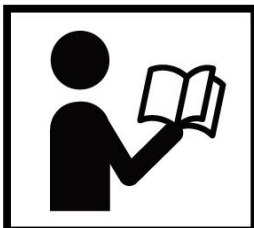


# 72" GRSPPLE BUCKET



## ⚠ WARNING

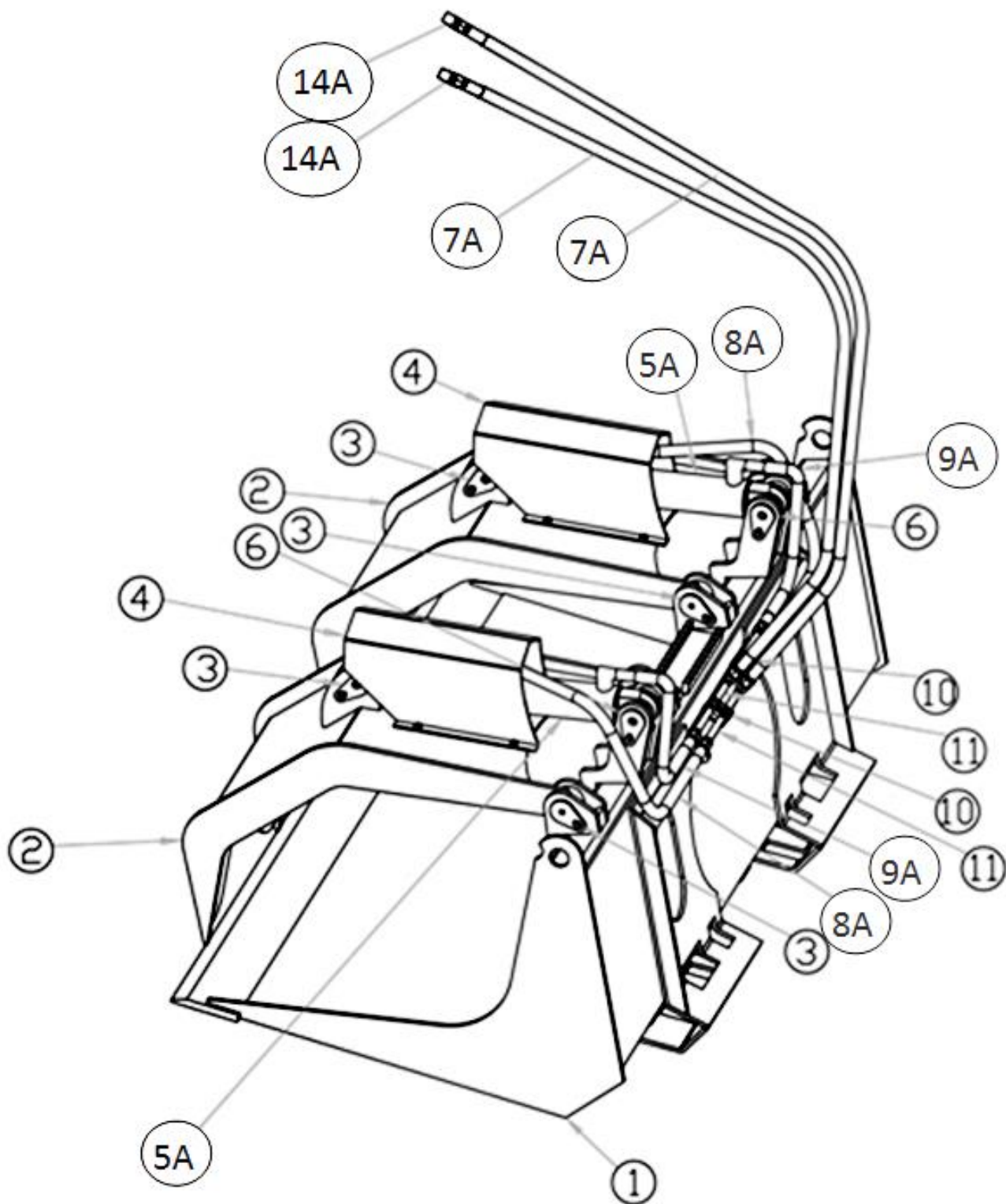


- Please read and understand the product manual completely before assembly
- Check against the parts list to make sure all parts are received
- Wear proper safety goggles or other protective gears while in assembly
- Do not return the product to dealer. They are not equipped to handle your requests.

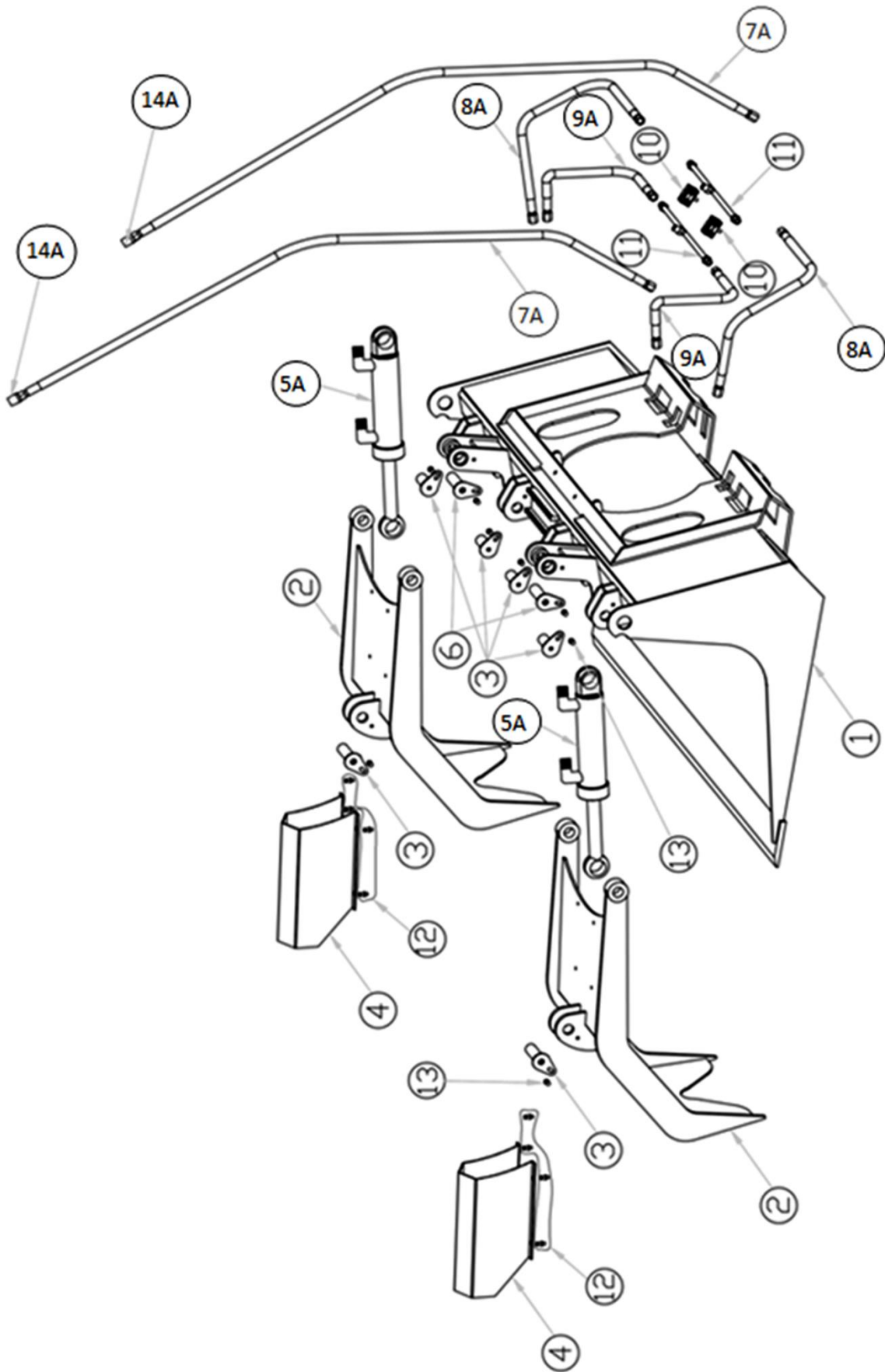
Missing parts or have questions on assembly?

Please call: 1-877-761-2819 or email: [cs@tmgindustrial.com](mailto:cs@tmgindustrial.com)

# STRUCTURE DIAGRAM



**EXPLODED VIEW**



<b>PARTNUMBER</b>	<b>DESCRIPTION</b>	<b>SPECIFICATION</b>	<b>QTY</b>
1	Bucket		1
2	Grapple Fork		2
3	Pin $\phi$ 30x70mm	$\phi$ 30x70mm	6
4	Cylinder Shield Guard		2
5A	Two Way Cylinder	$\phi$ 63x180	2
6	Pin	$\phi$ 30x110mm	2
7A	Hydraulic Hose	1950mm	2
8A	Hydraulic Hose	850mm	2
9A	Hydraulic Hose	650mm	2
10	Hose Clip	$\phi$ 14mm	2
11	Metal Hydraulic Tube	$\phi$ 14x440mm	2
12	Bolt	M6 X 12mm	8
13	Bolt	M10 X 20mm	8
14A	Adapter	NPT-1/2	2