

# 12'X12'PRE-BUILT HORSE STALL(BAMBOO)



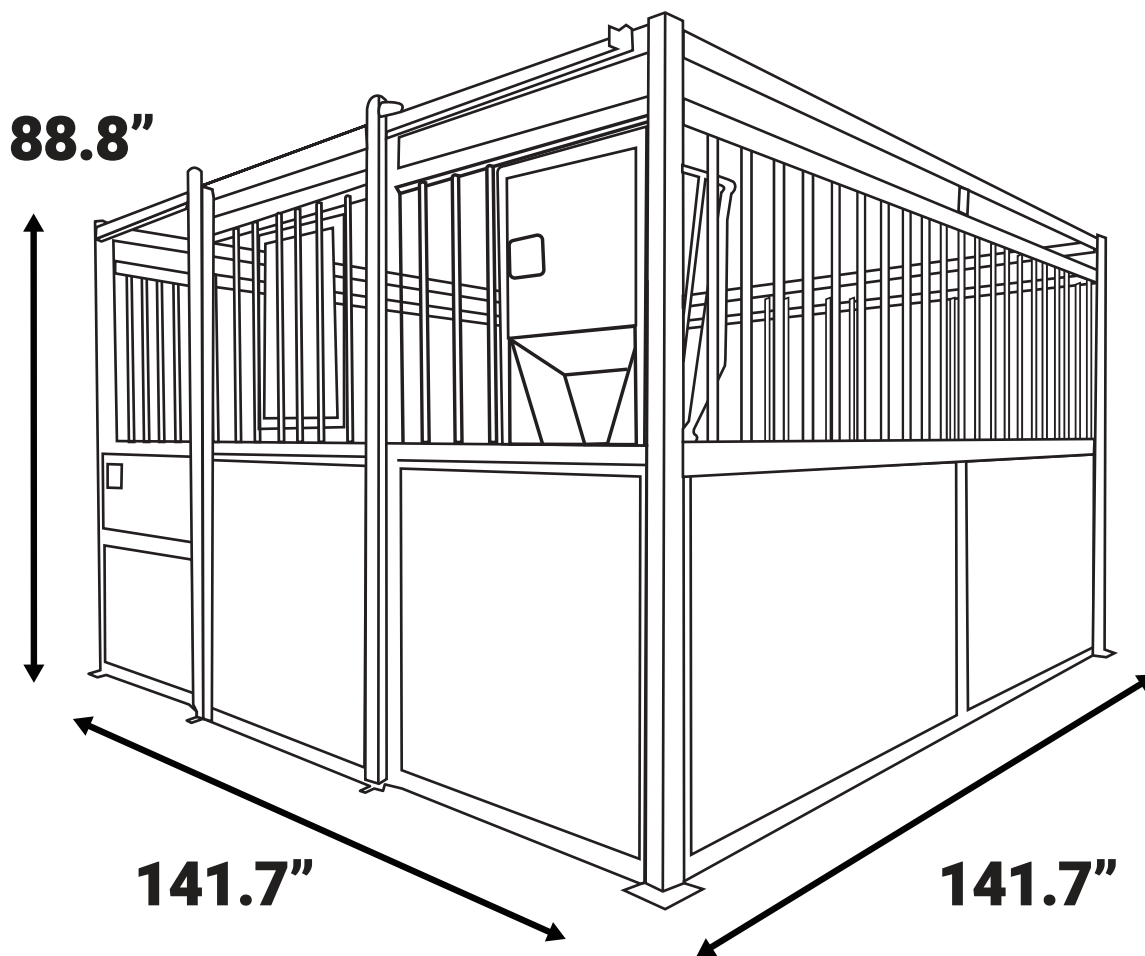
### ⚠ WARNING



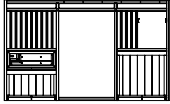
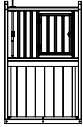

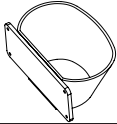

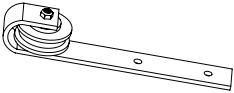
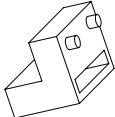
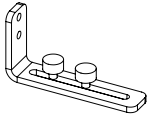
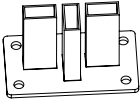
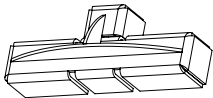
- Please read and understand the product manual completely before assembly.
- Check against the parts list to make sure all parts are received
- wear proper safety goggles or other protective gears while in assembly
- Do not return the product to dealer. They are not equipped to handle your requests.

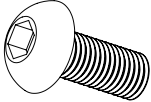
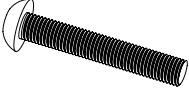
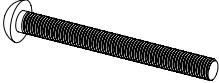
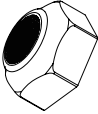


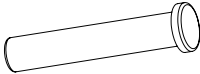
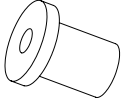
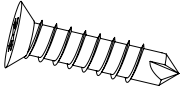
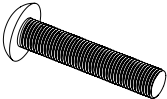
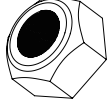
Missing parts or questions on assembly?  
Please call: 1-877-761-2819 or email: [cs@tmgindustrial.com](mailto:cs@tmgindustrial.com)

Frame structure diagram



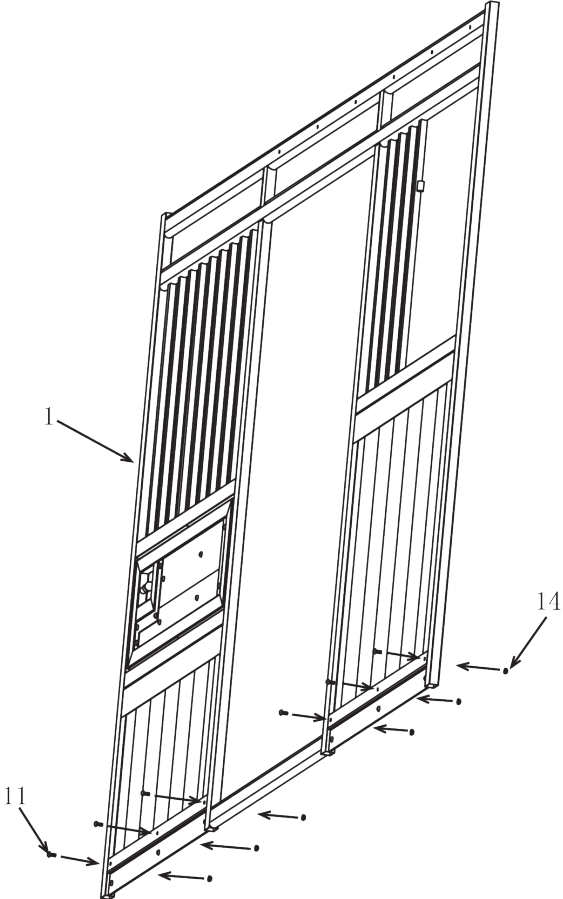
**ACCESSORIES LIST**


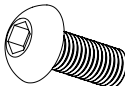
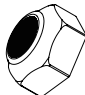
<b>TMG-FSH13A PART LIST</b>			
<b>NO.</b>	<b>PICTURE</b>	<b>DESCRIPTION</b>	<b>QUANTITY</b>
1		Stable gates	1
2		Stable door	1
3		Forage Basket	1
4		Fine feed tank	1
5		Guide rails	1
6		Barn wheels	2
7		Guide rail limiters	2
8		Swing stops	2
9		Chassis	1
10		Connecting Plugs	1

NO.	PICTURE	DESCRIPTION	QUANTITY
11		M8X40 screws	9
12		M8X50 screws	4
13		M8X80 screws	6
14		M8 anti-loosening nut	19
15		Hexagonal wrench	1
16		Expansion screws	4
17		Straw basket pins	2
18		Rail Mounts	6
19		Self tapping screws	4
20		M10X50 screws	4
21		M10 anti-loosening nut	4



# TMG-FSH13A INSTALLATION INSTRUCTIONS STEP 1

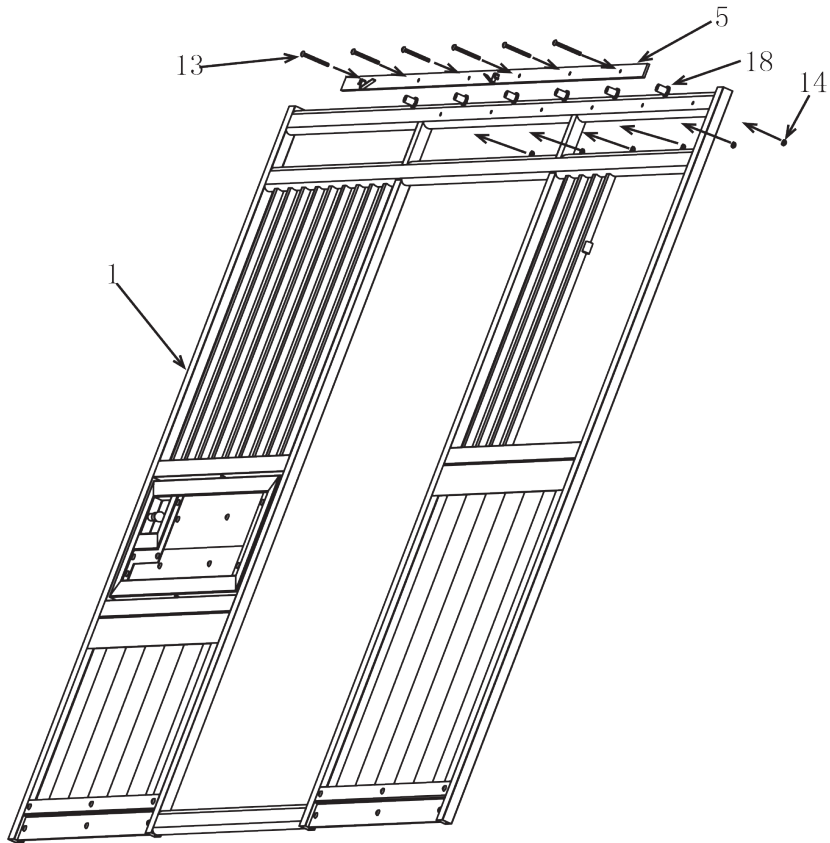


No.	Part	Qty
1		1
11		6
14		6

As shown in the picture

1. Drill through the board with an M8 drill bit into the round hole pointed out by the arrow.
2. Tighten the screws and nuts according to the arrow.

# STEP 2

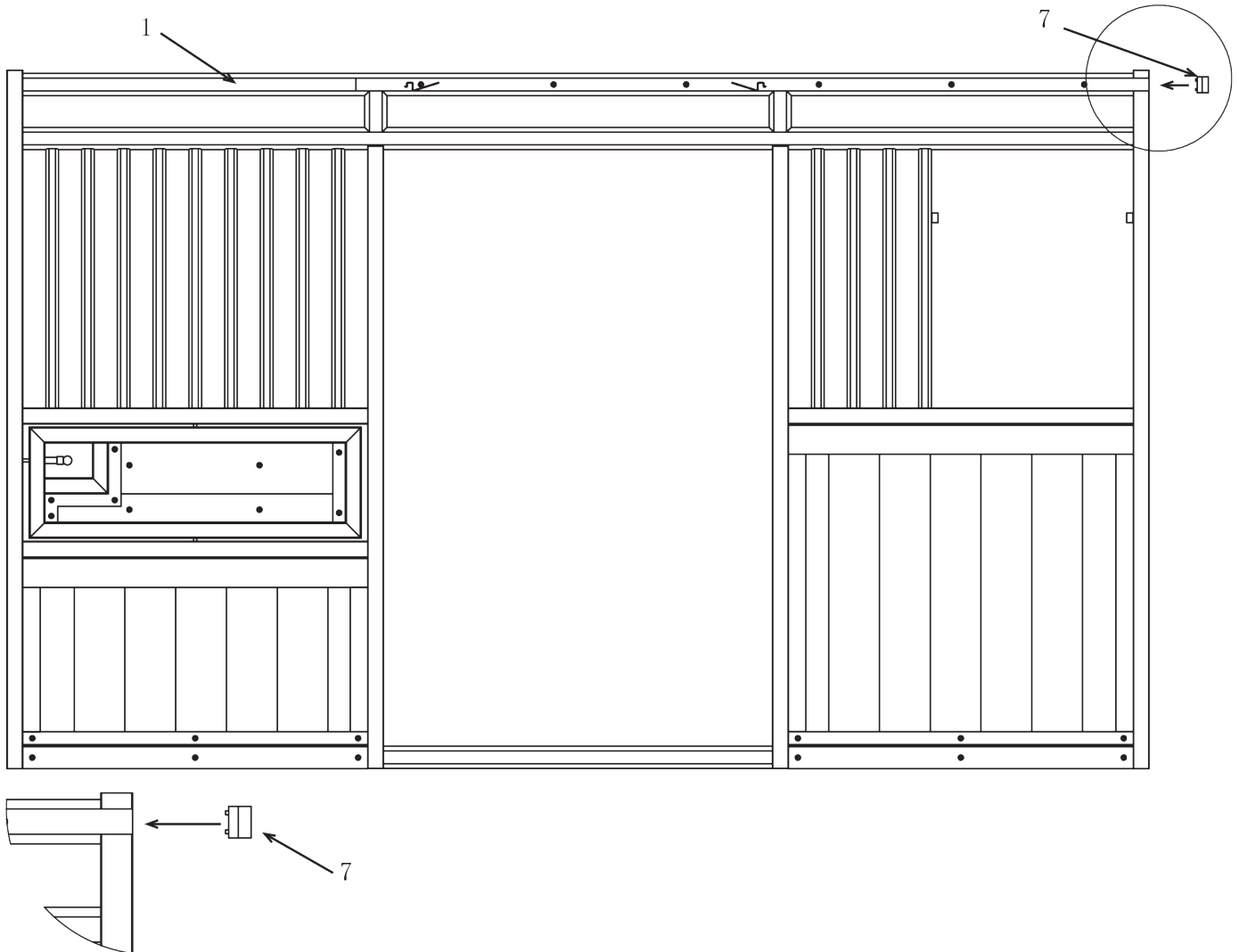


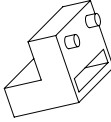

No.	Part	Qty
5		1
13		6
14		6
18		6

As shown in the picture

1. The rail mounting base, rail with M8 \* 80 screws and nuts according to the direction of the arrow to install the fastening

# STEP 3

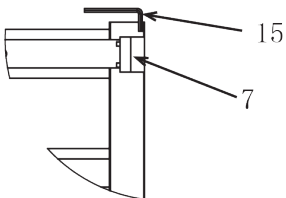
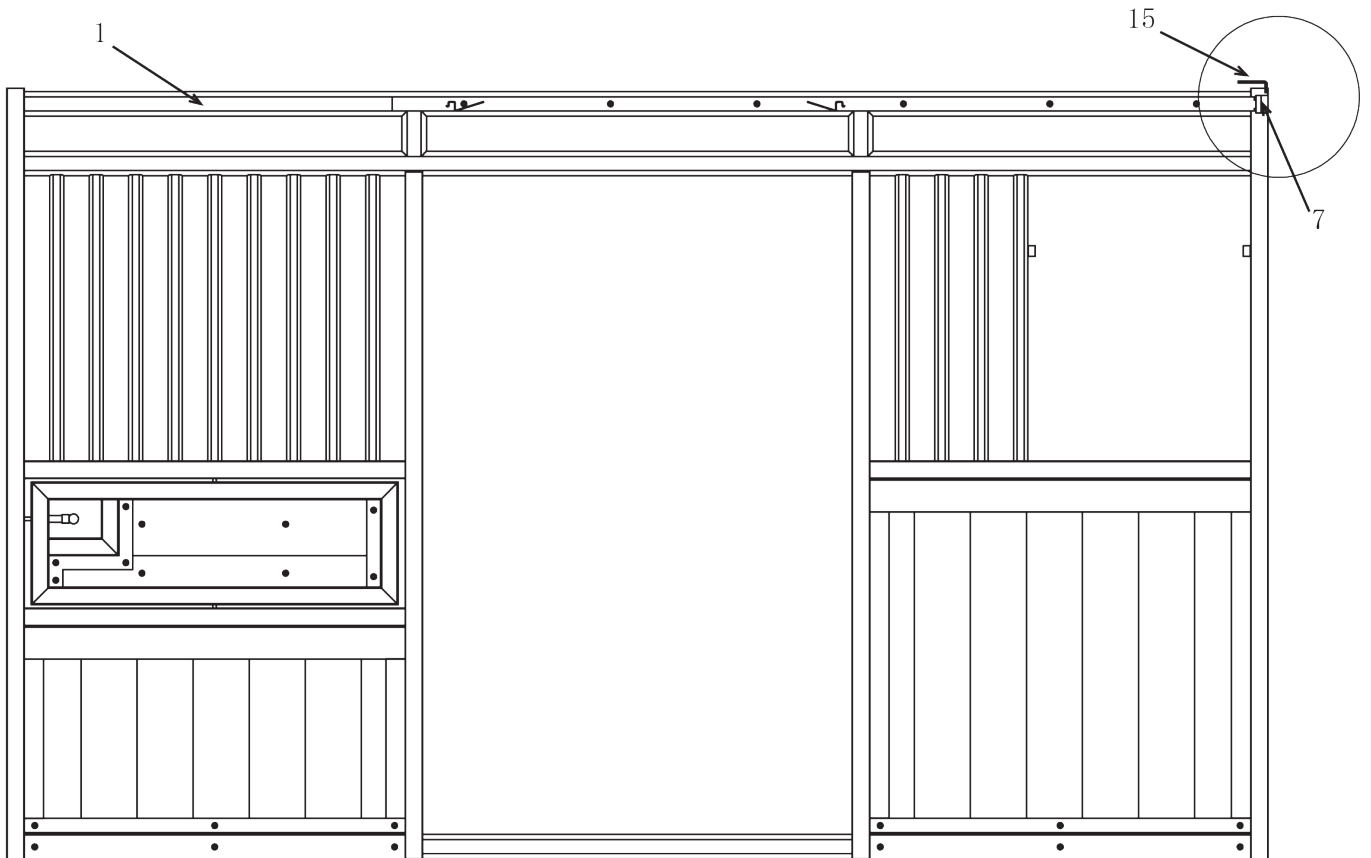



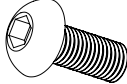
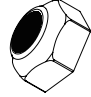
No.	Part	Qty
7		1
15		1

As shown in the picture

1. Insert the rail limiter into the rail and tighten it with a hex wrench.

# STEP 4

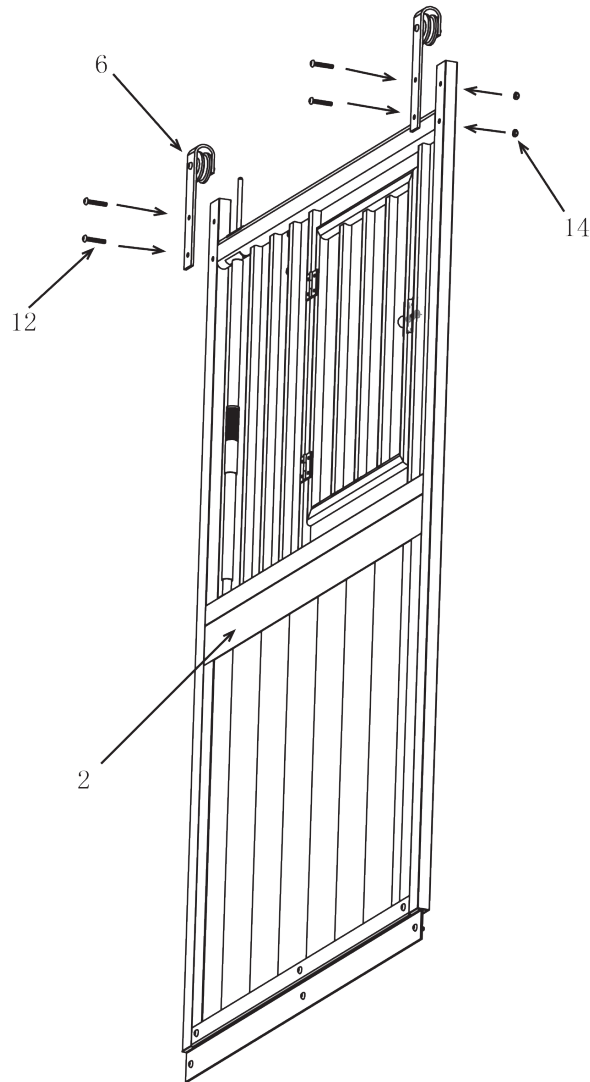


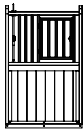
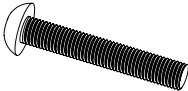
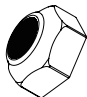
No.	Part	Qty
2		1
11		3
14		3

As shown in the picture

1. Drill through the stable door in the direction of the arrow with an M8 drill bit and fasten with M8\*40 screws and nuts.

# STEP 5

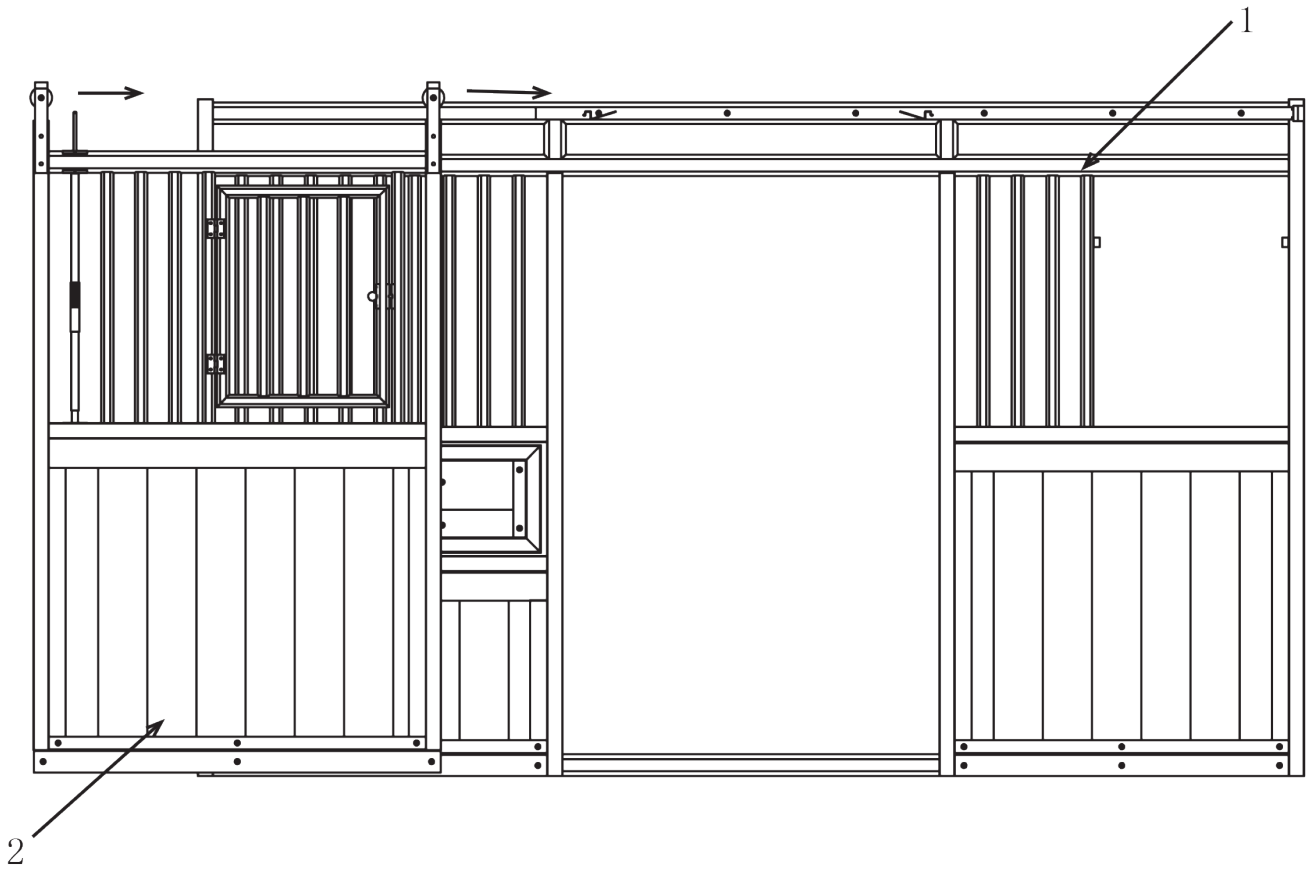


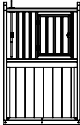
No.	Part	Qty
2		2
12		4
14		4

As shown in the picture

1. Tighten the barn wheel in the direction of the arrow with M8\*50 screws and nuts.

# STEP 6

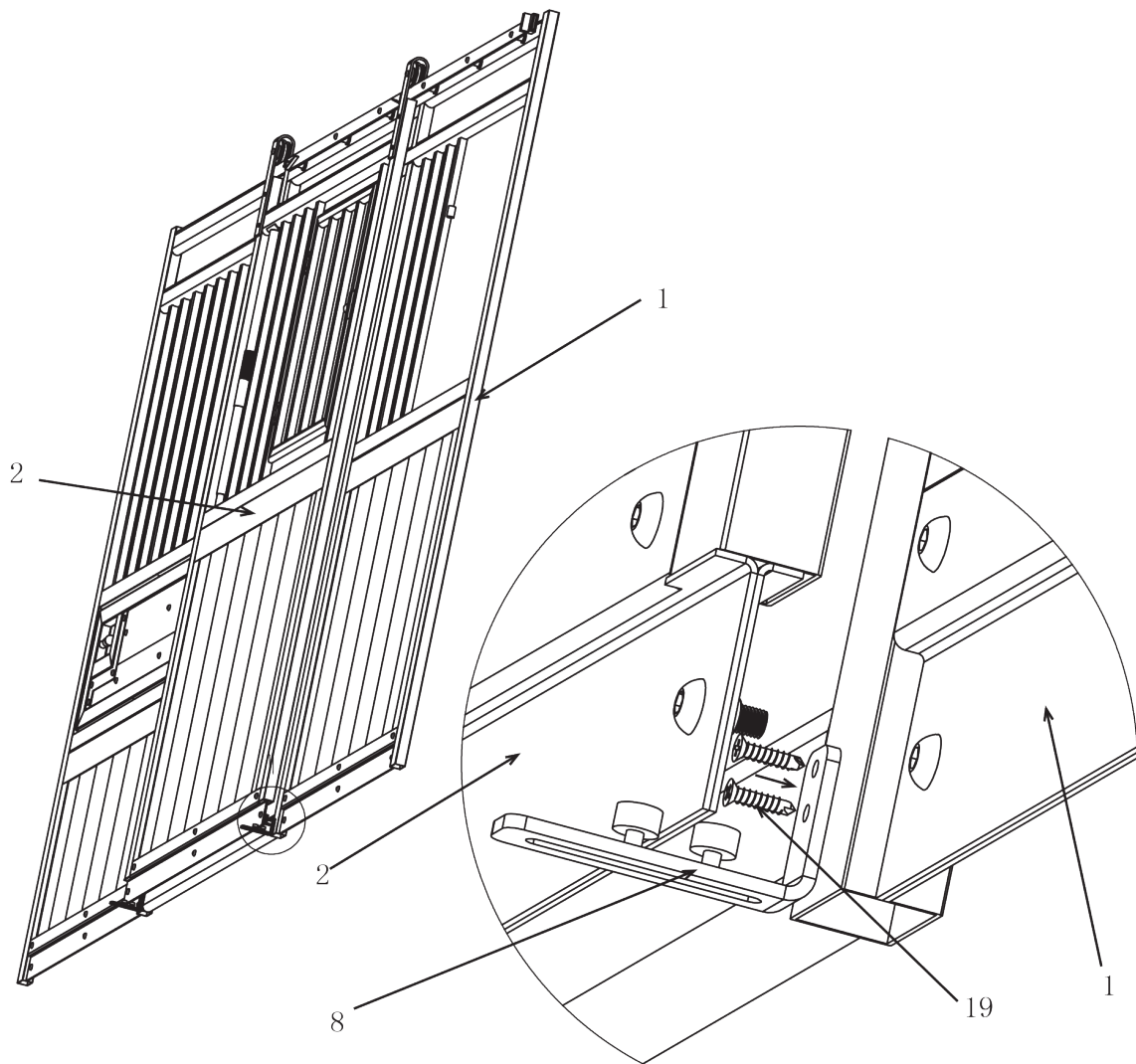


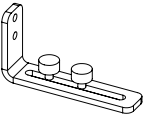
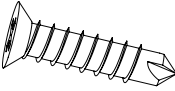
No.	Part	Qty
2		1

As shown in the picture

1. Push the installed stable door into the rail according to the direction of the arrow

# STEP 7

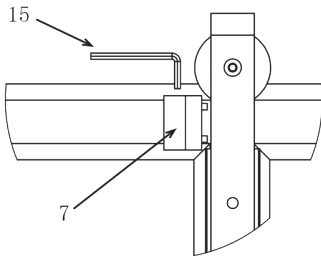
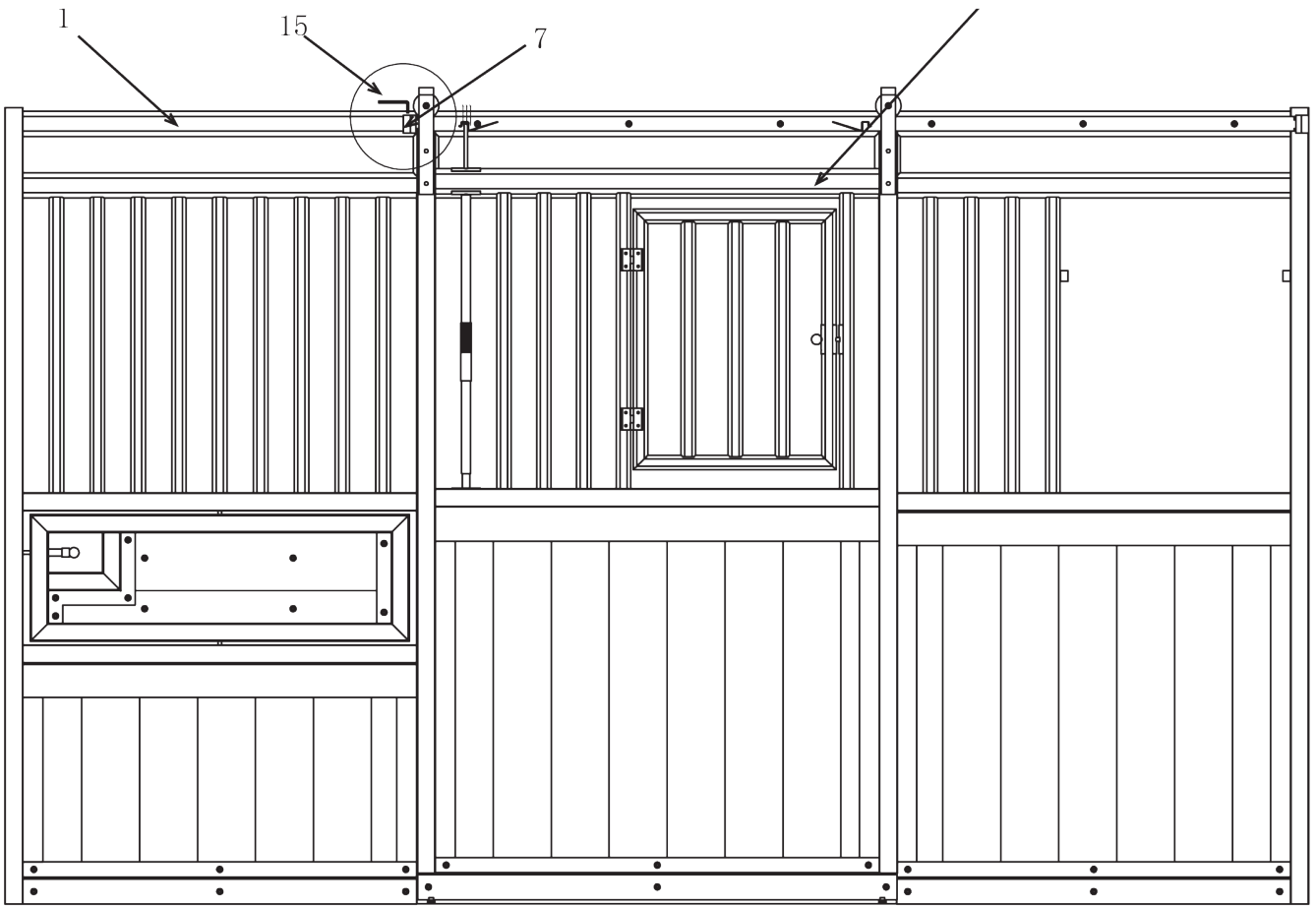


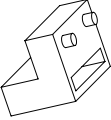

No.	Part	Qty
8		2
19		4

As shown in the picture

1. Fix the stable door stopper to the stable door with self-tapping wire according to the appropriate position, and adjust the distance of the stopper pulley to the appropriate position.

# STEP 8



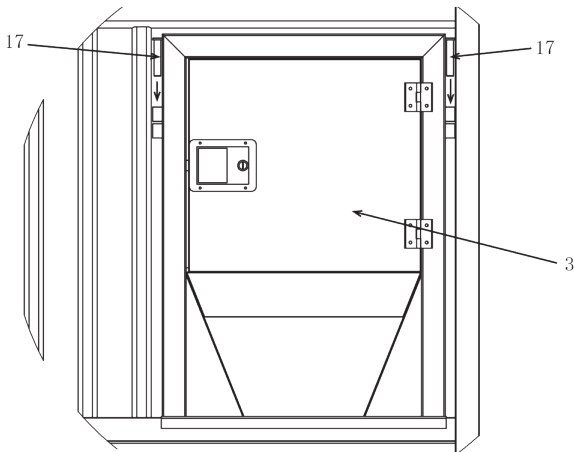
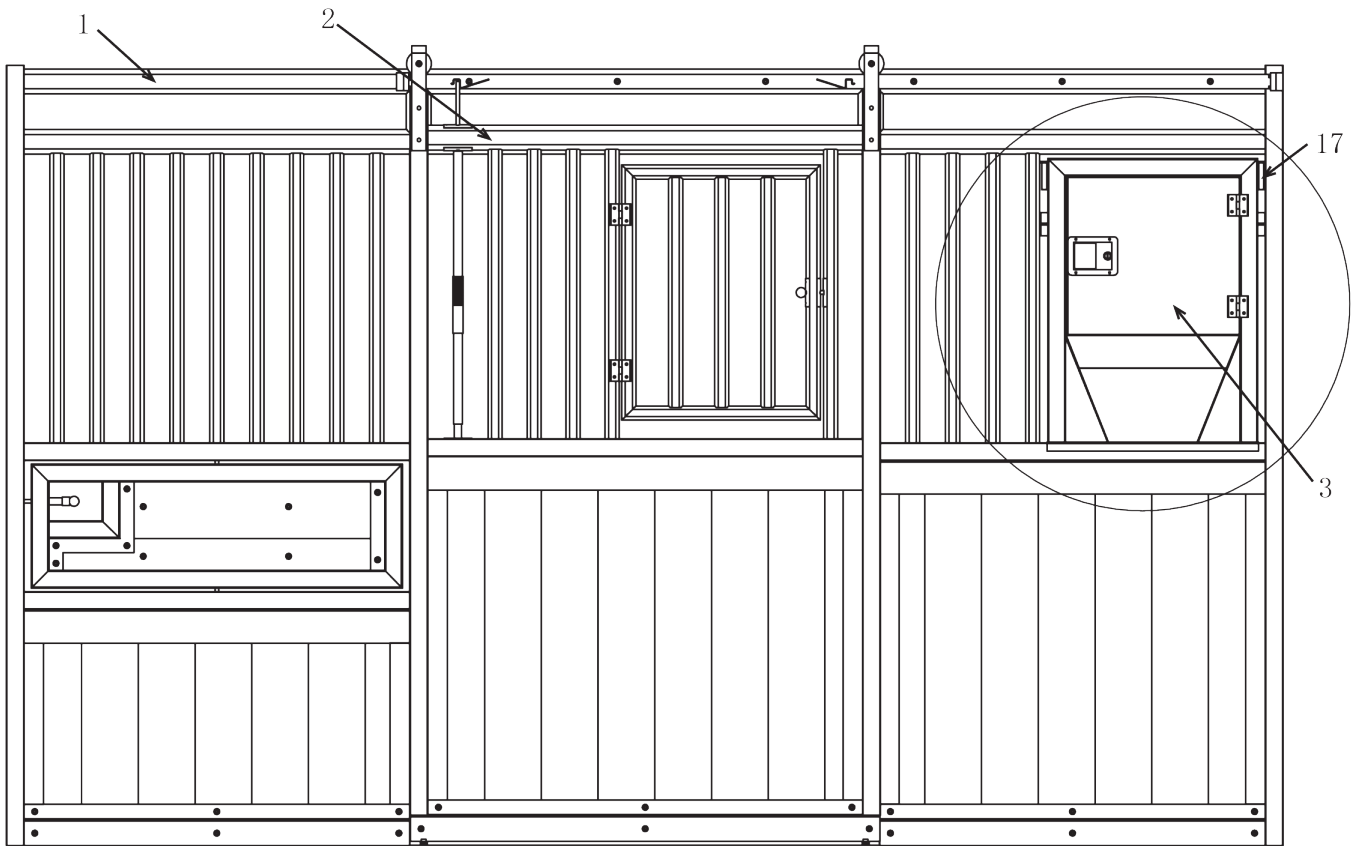
No.	Part	Qty
7		1
15		1


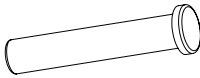
As shown in the picture

1. Insert the other side of the rail limiter into the rail and tighten it with a hexagonal wrench.



# STEP 9

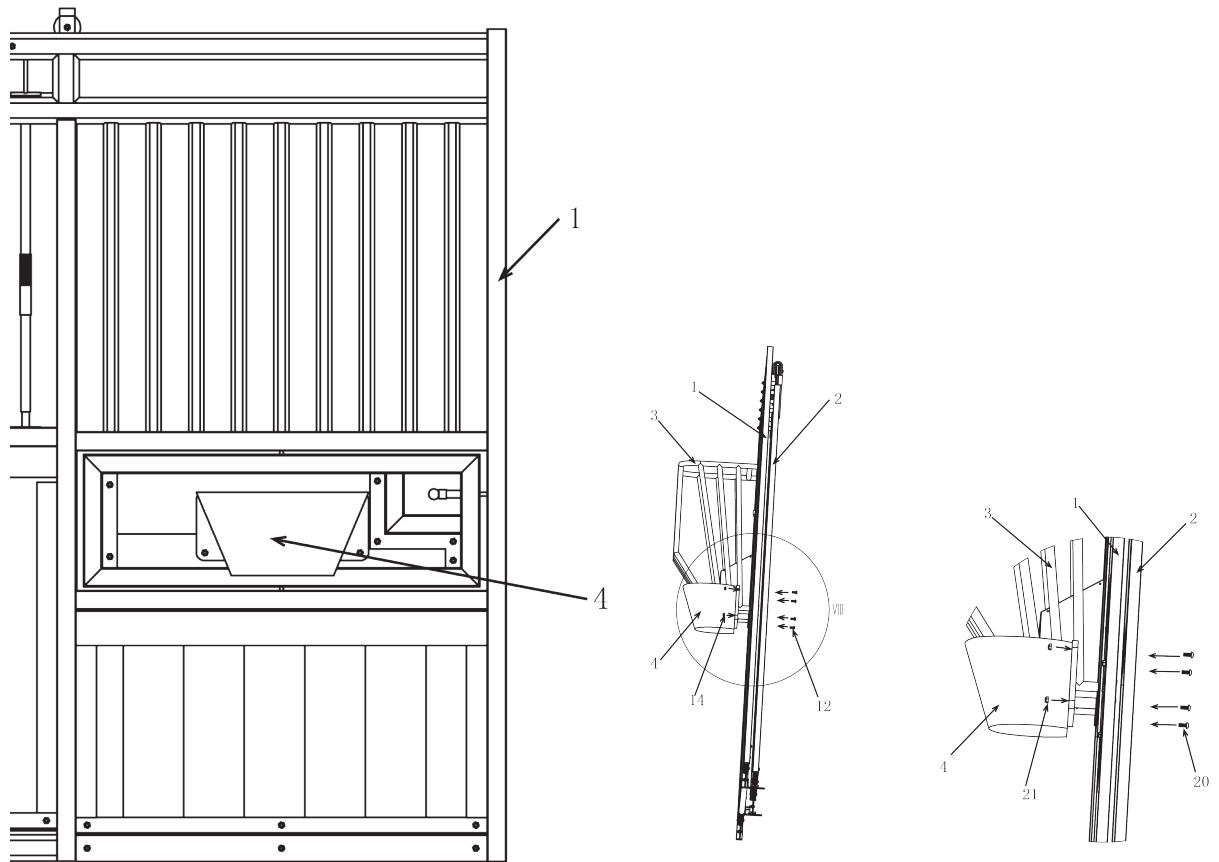



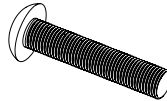
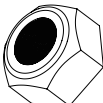
No.	Part	Qty
3		1
17		2

As shown in the picture

Place the hay basket on the stable door and secure it with a pin inserted in the direction of the arrow.

# STEP 10

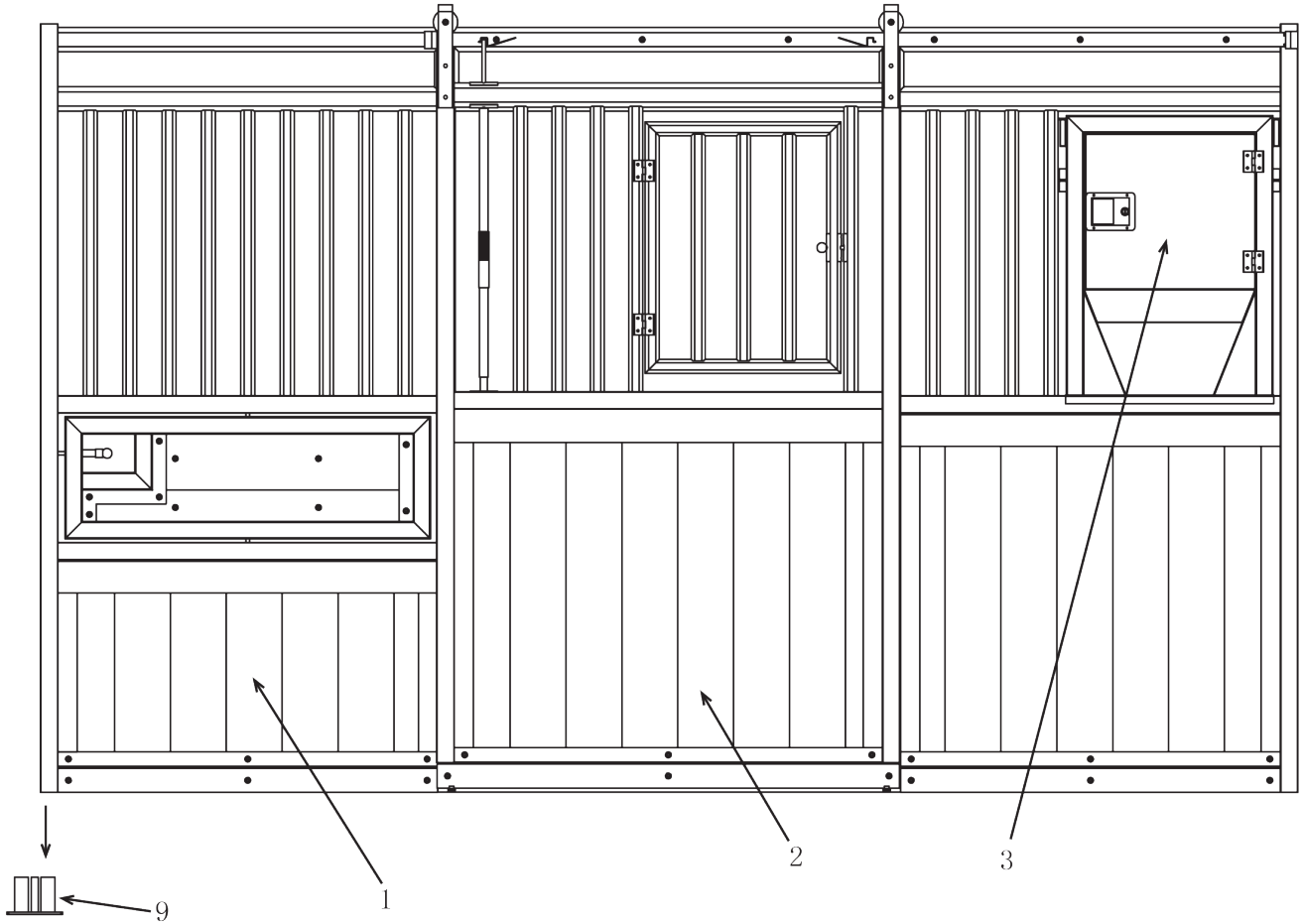


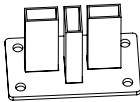
No.	Part	Qty
4		1
20		4
21		4

As shown in the picture

1. According to the direction indicated by the arrow, fasten the fine material groove with M10\*50 screws and nuts.

# STEP 11

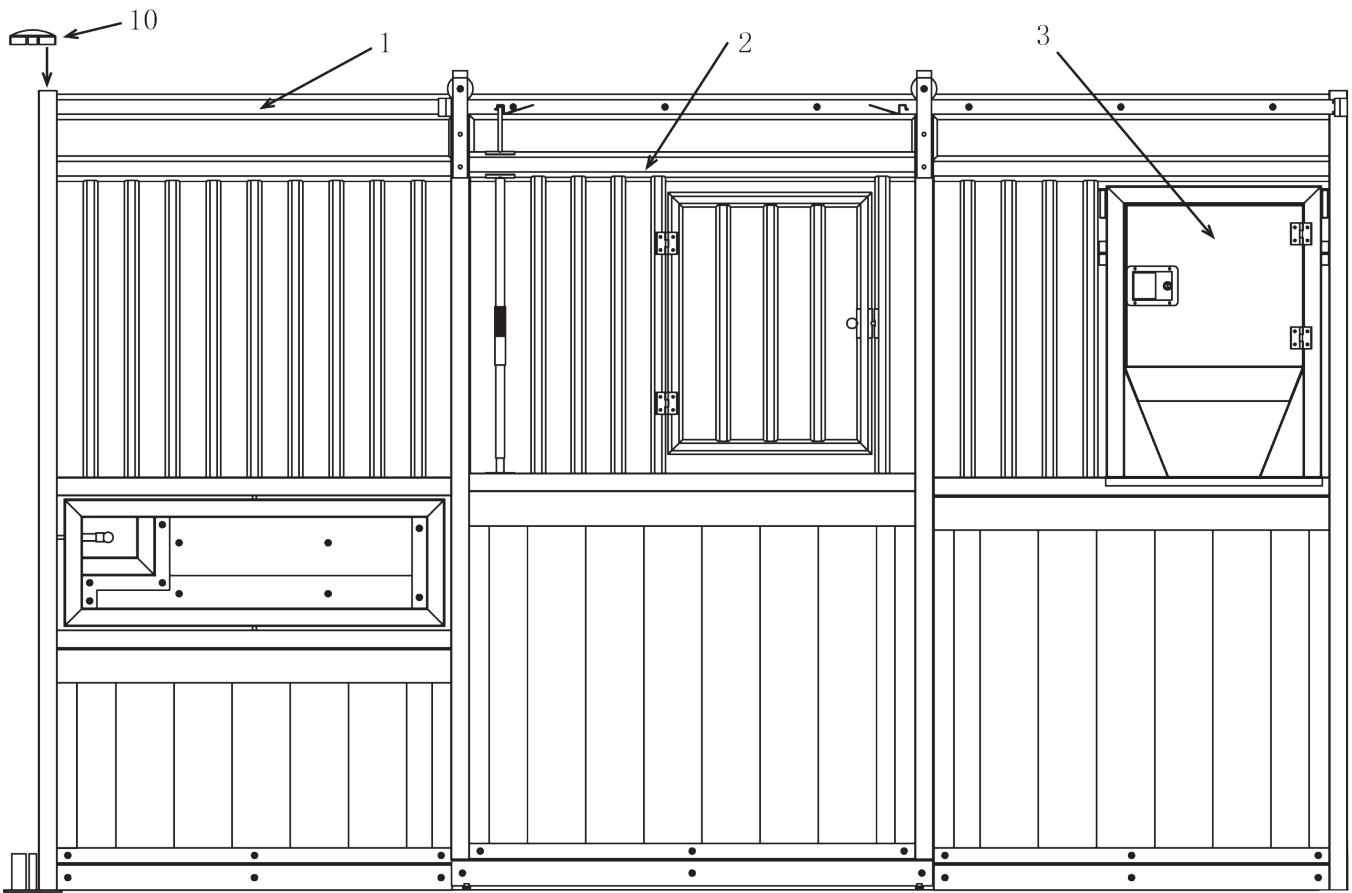


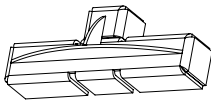
No.	Part	Qty
9		1

As shown in the picture

1. Insert the mounted stable front door into the base according to the direction of the arrow

# STEP 12



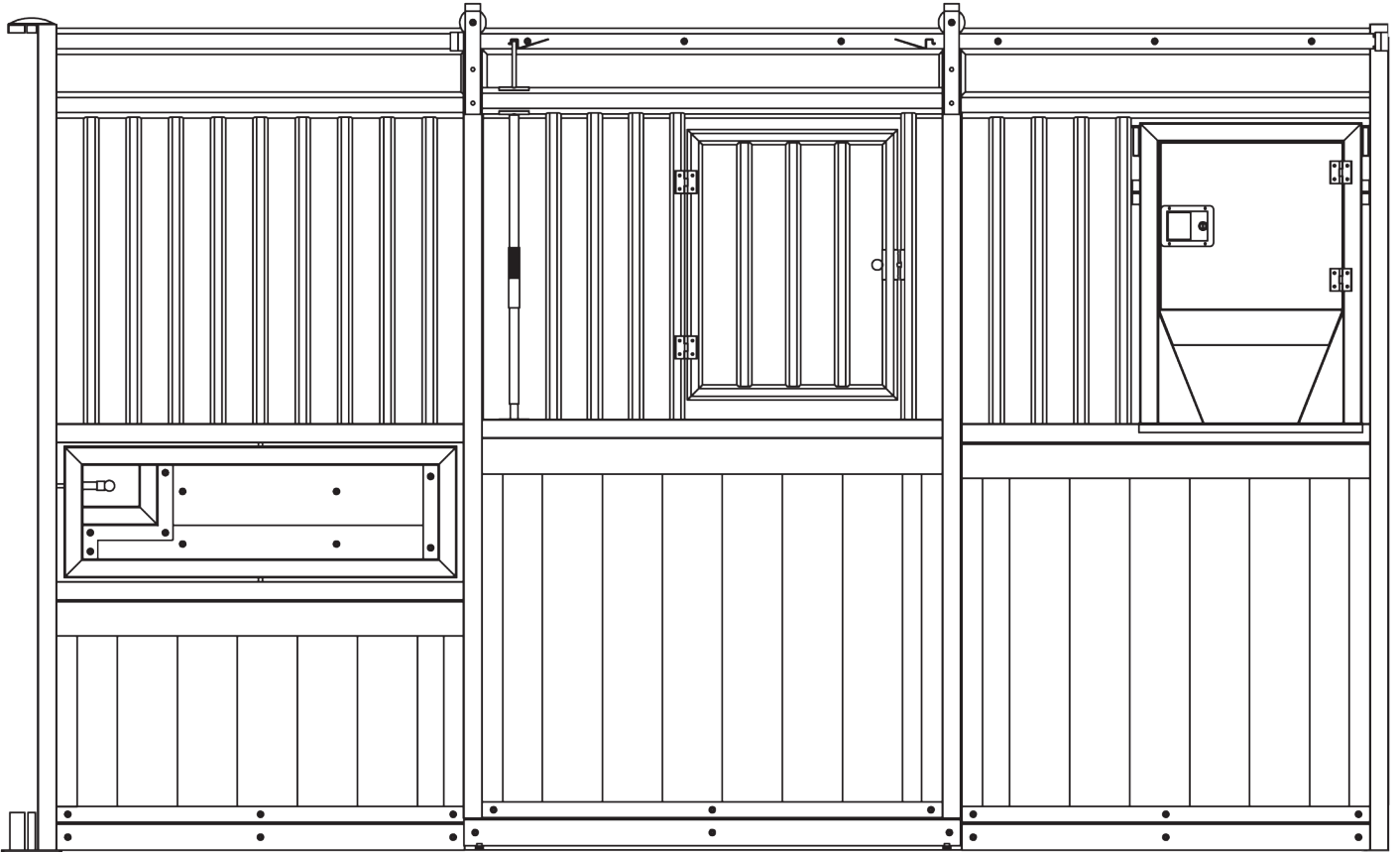
No.	Part	Qty
10		1

As shown in the picture

1. Insert the connecting plug into the front door of the stable as indicated by the arrow.

# STEP 13

Installation complete



Assembled