

50Ft x 40Ft Dual Truss Container Hoop Building

Model:TMG-DT5040CF-PRO



- Please read the product manual completely before assembly
- Check against the parts list to make sure all parts are received
- Wear proper safety goggles or other protective gears while in assembly

Missing parts or questions on assembly?

Please call: 1-877-761-2819 or email: cs@tmgindustrial.com

Do not return the product to dealer, they are not equipped to handle your requests

Main Specifications :

- Assembly size : W15.24 x L12 x H7.8 (m) / 50 x 80 x 25.6 (ft)
- Outside width : 15.24 m / 50ft, inside width : 14.4 m / 47.4 ft, length : 12 m / 40 ft
- Ridge peak height : 7.8 m / 25.6 ft
- Peak clearance height : 7.2 m / 23.6 ft

It is your option to pick and call the smaller door side as front or rear, then the wider door side will be called in an opposite way.

Prior to assembly

Please go through the whole instruction manual completely. It is very important to follow your local safety regulations and industry standards during installation. Regulations may include but are not limited to:

- Safety helmets, protective eyewear, and clothing
- Safety harnesses for all elevated workers
- Proper ladder, cage, and safety operation

Check all components and parts before installation. All parts are marked with a part number, please refer to the parts list to ensure you have all parts.

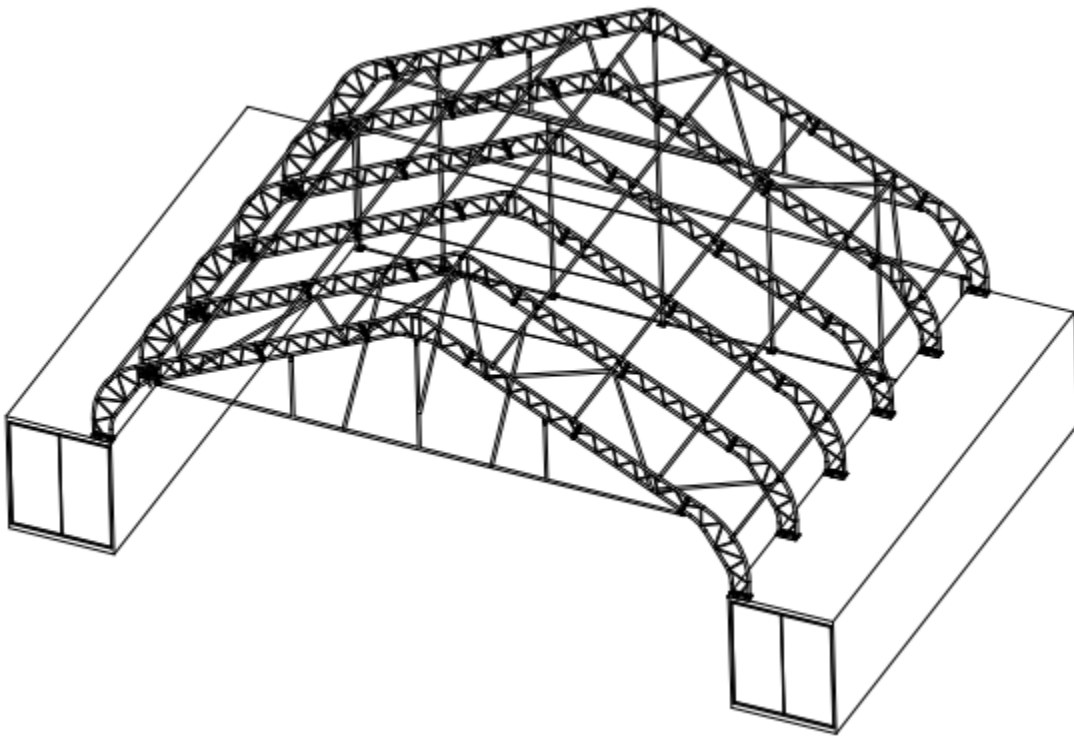
Choose a day with low or no wind to install, it is hard to assemble with heavy wind. Do not make any alterations to the structure. Do not hang any weight on the frame during installation, including parts. We are not responsible for any damages or injuries caused by inappropriate installation, unauthorized modifications or extreme weather.

This building is not intended for human occupancy.



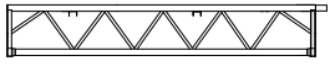
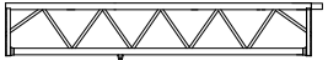
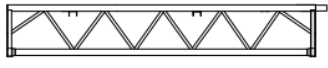
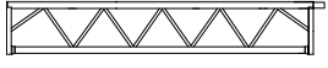
It is recommended to use heavy duty duct tapes to tape the tube connection joint spots to protect the cover from damage and worn. It will help to extend the cover life span.

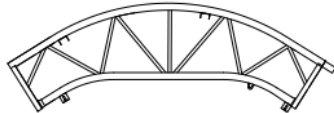
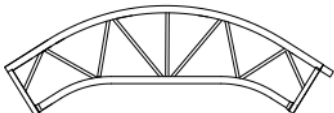



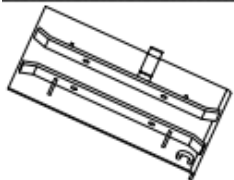
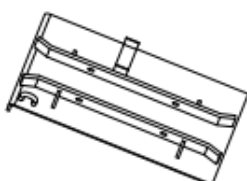
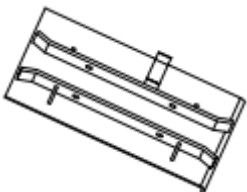
Check the parts list below to make sure all parts are received prior to assembly.



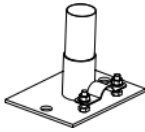
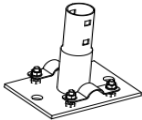




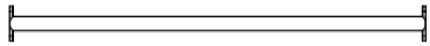
Frame structure diagram.



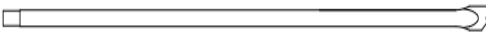


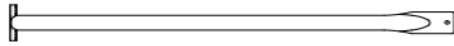


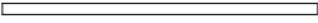










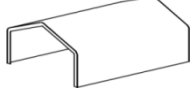
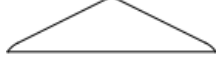
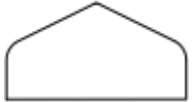
TMG-DT5040CF-PRO Part List

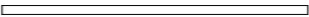


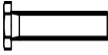
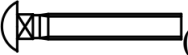


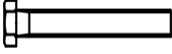
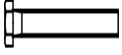
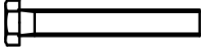


Parts Code	Graphical	Quantity	BOX
1A		2	B
1		4	A
2A		4	A
2		8	A
3A		4	A
3		8	A

4A		4	B
4		8	B
5B		45	A
5C		18	A
5D		4	B
5L		2	B
5R		2	B
6		8	B

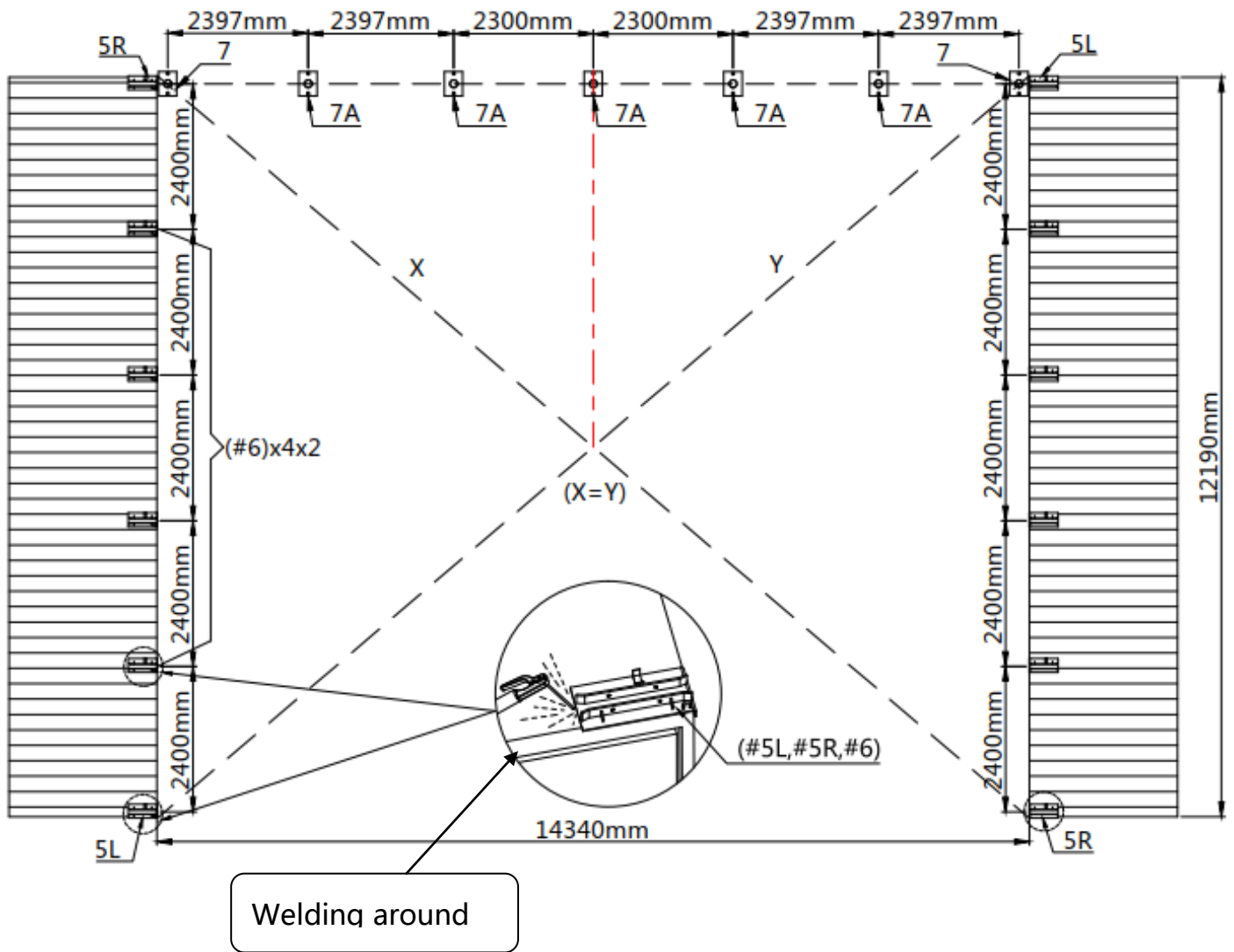
6A		44	B
6B		44	B
7		2	B
7A		5	B
8		5	A
8A		2	A
9		4	A
9A		1	A
10		2	B

10A		2	B
10B		2	A
11		4	A
11A		4	A
12		2	A
13		2	B
14		4	A
15		4	B
15A		2	B
15B		2	B

15C		4	B
16B		4	B
17		12	B
17A		2	B
18		42	B
19		20	B
20	 (200m)	1	B
21		1	B
22		1	B
22A		1	B

23		10	B
24		8	B
25		32	B
25A	 (M10x30)	32	B
26	 (M10x80mm)	54	B
27	 (M8x70mm)	40	B
28	 (M12x30mm)	192	B
29	 (M10x80mm)	10	B
30	 (M10x50mm)	50	B
31	 (M10x100mm)	12	B
32	 (#12x25mm)	12	B
32		3	B

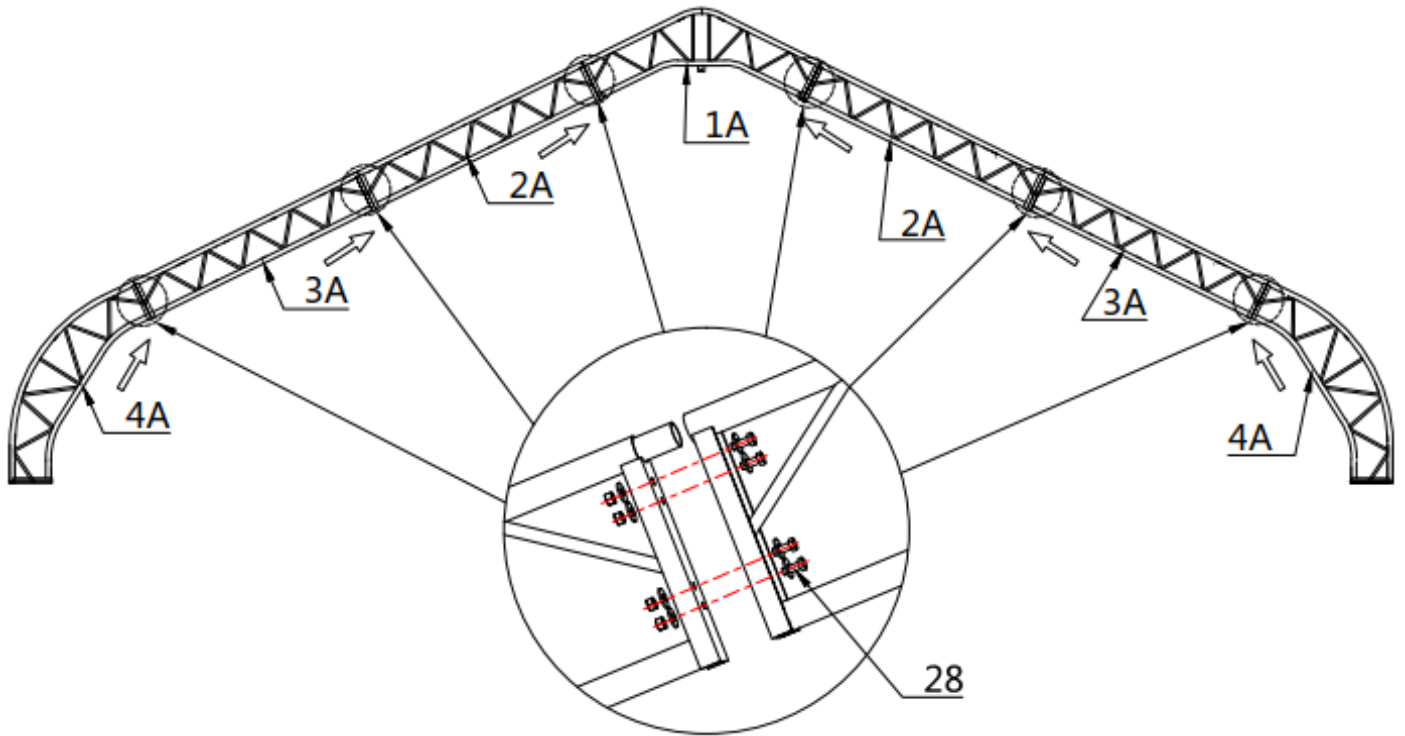
Step 1 : Baseplate positioning and installation.





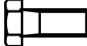


NO.	PART	Qty
5L		2
5R		2
6		8

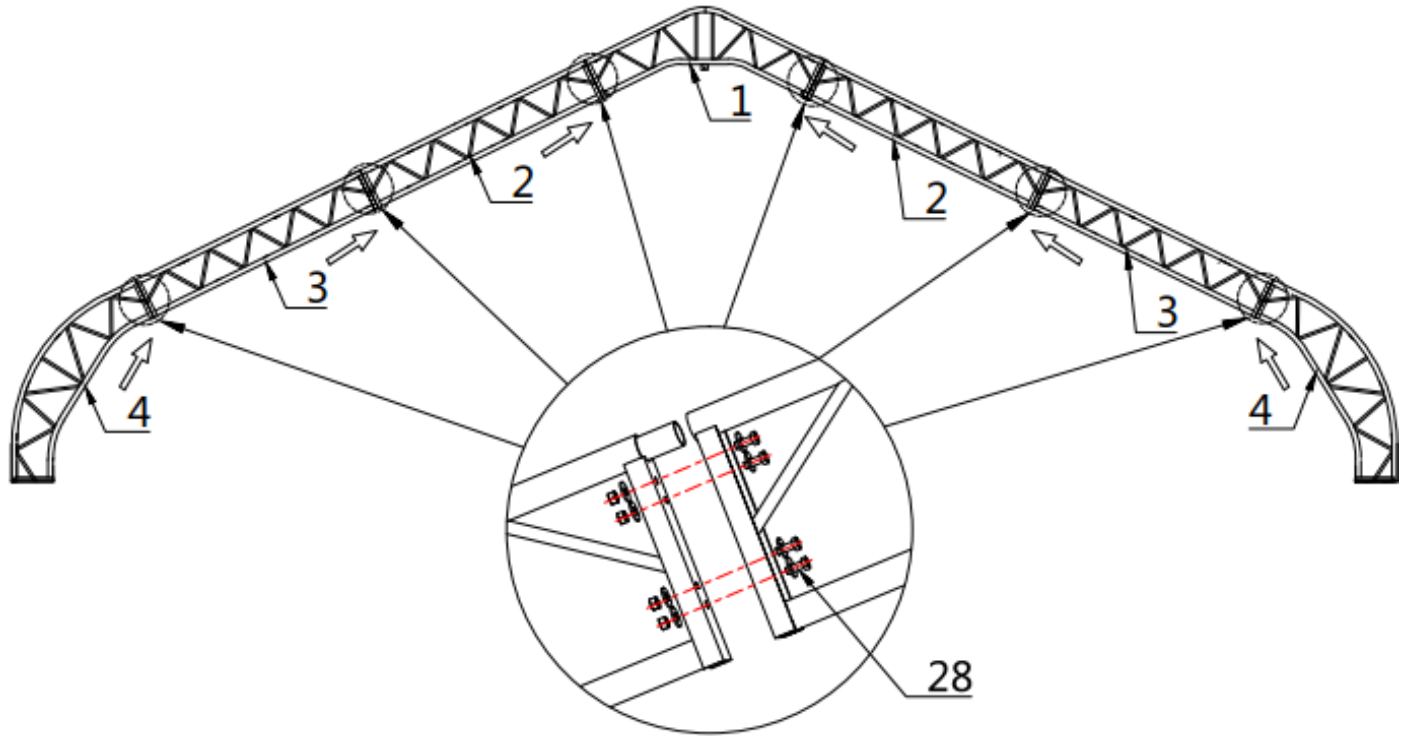
NO.	PART	Qty
7		2
7A		5



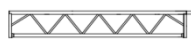

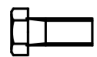
Step 2 : Installation of front and rear 2 group trusses.



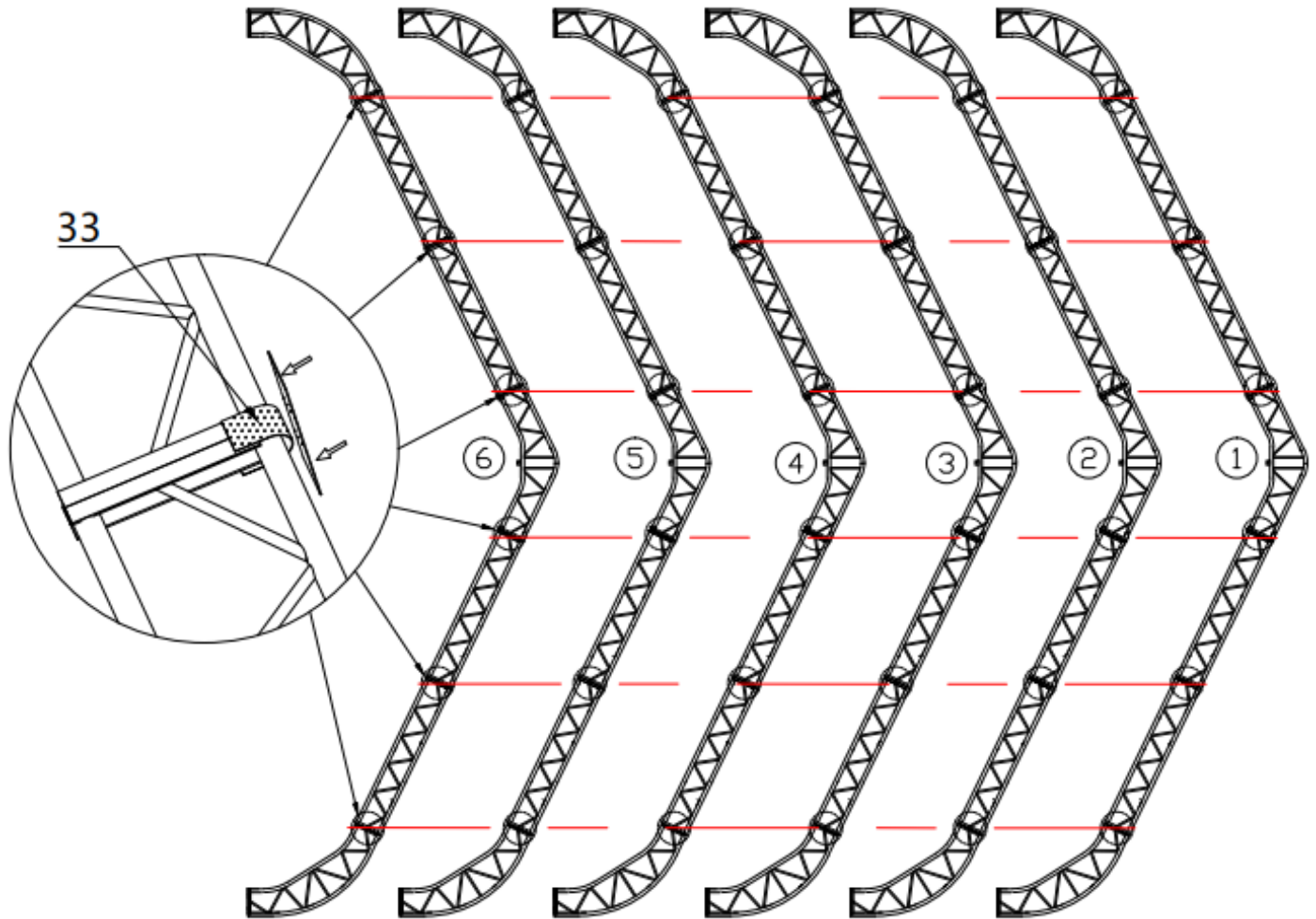
NO.	PART	Qty
1A		1x2
2A		2x2
3A		2x2
4A		2x2
28		24x2

Step 3 : Installation of middle 4 group truss.



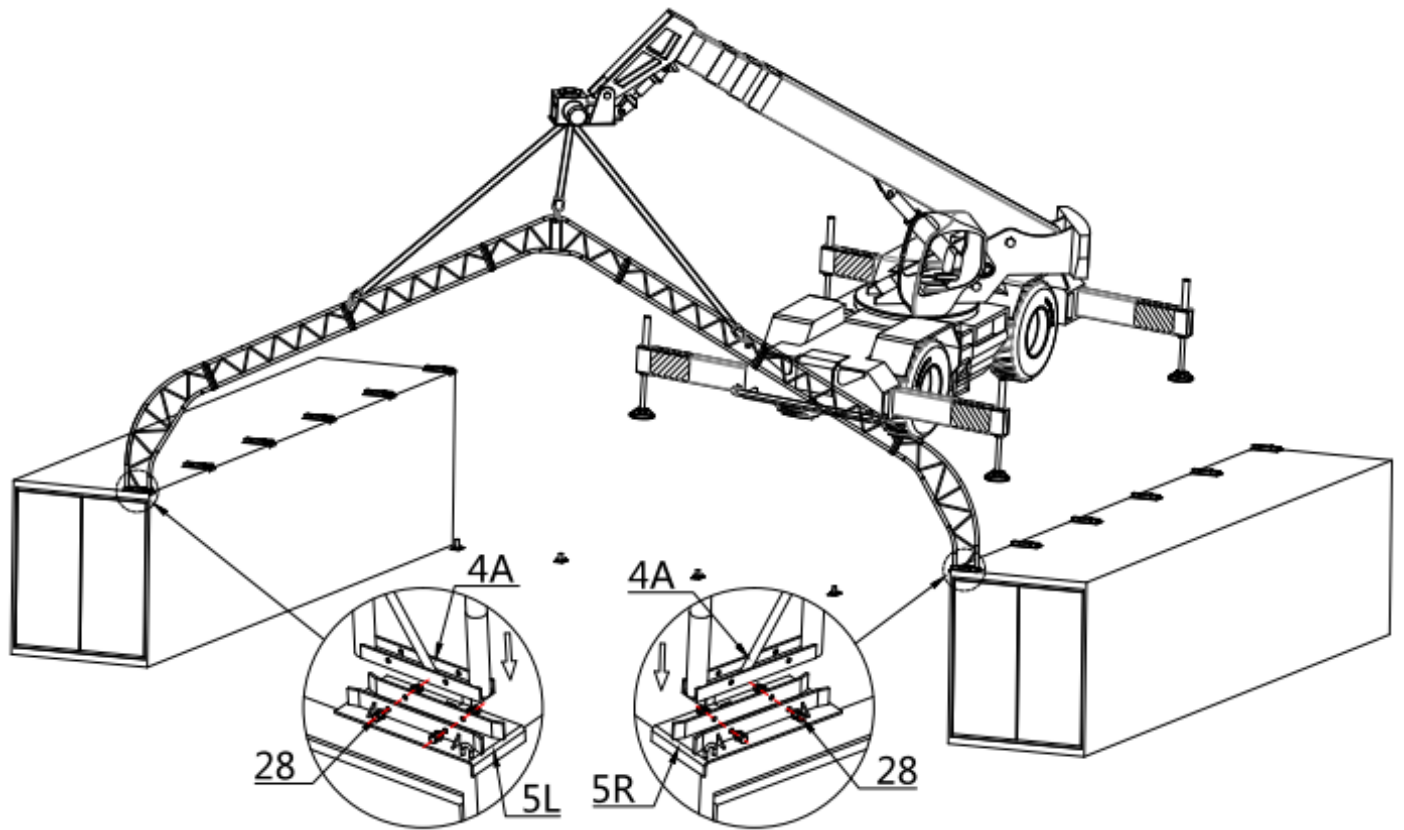
NO.	PART	Qty
1		1x4
2		2x4
3		2x4
4		2x4
28		24x4

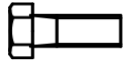
Step 4 : wrap (#23) around the sharp points of the joint to avoid friction between the fabric and the interface.



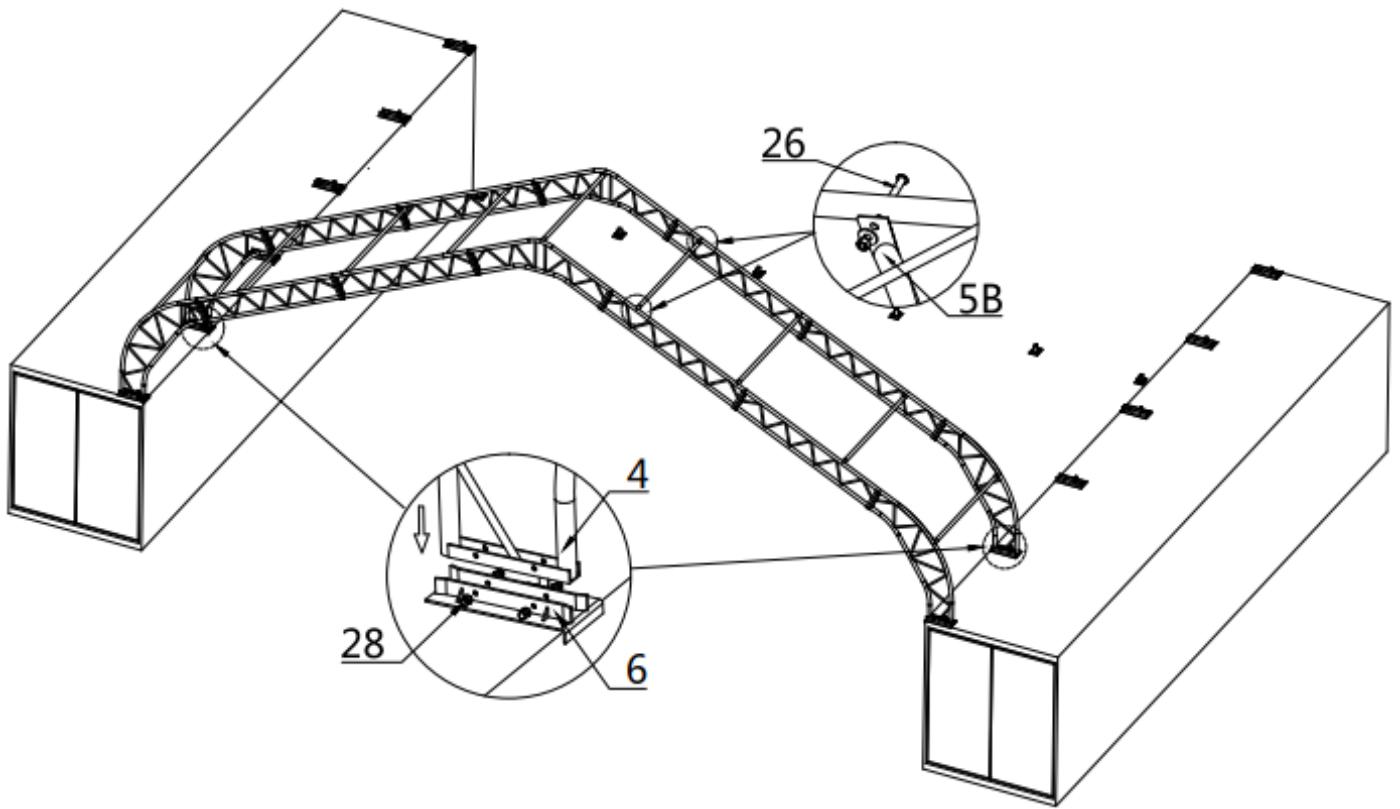
NO.	PART	Qty
33		3



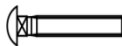
Step 5 : Put up the front truss(It is suggested to use crane for hoisting).



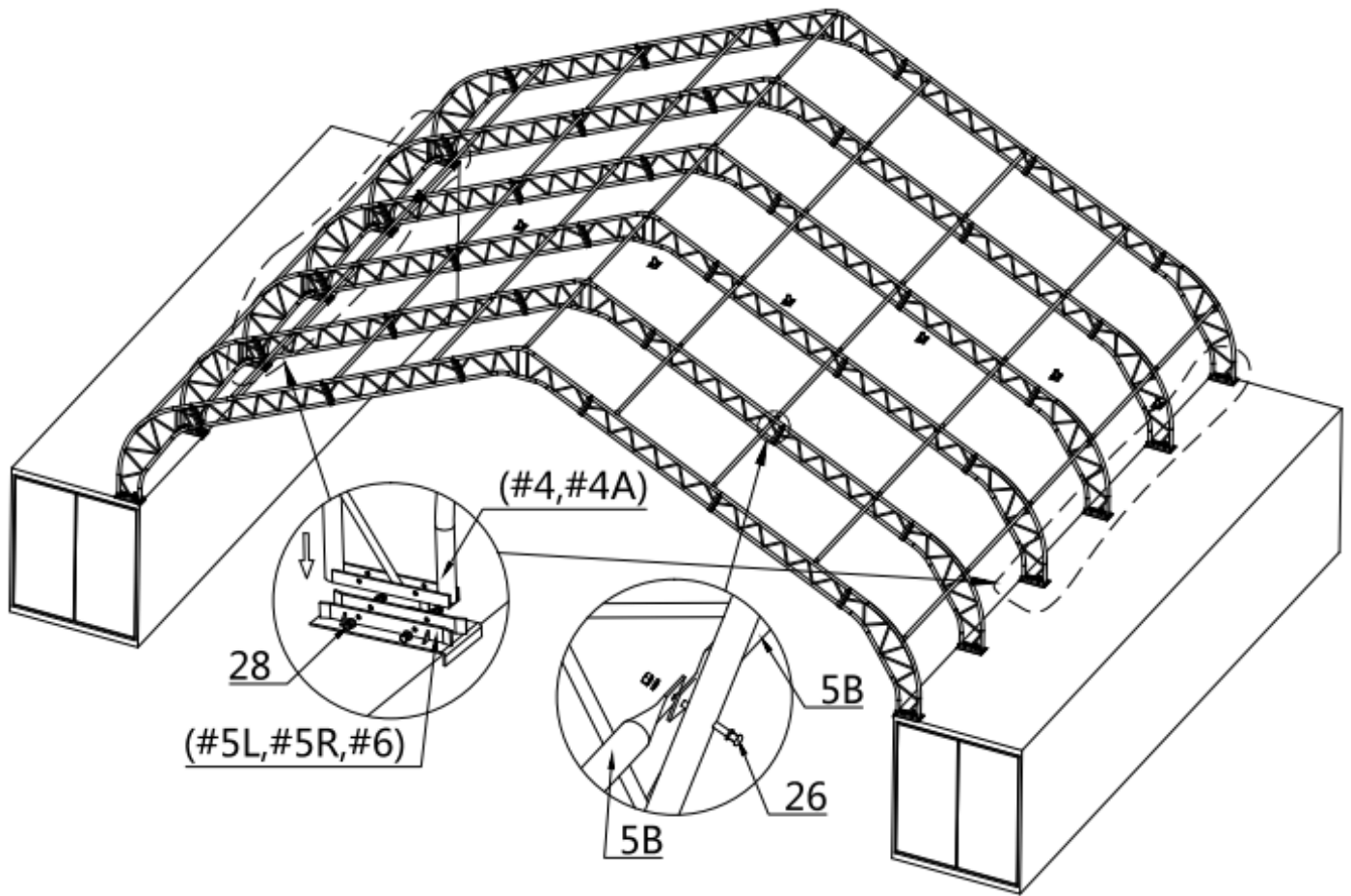
NO.	PART	Qty
28		8


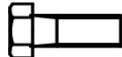

Step 6 : Put up the 2nd truss, and connect all purlins (#5B) between 1st and 2nd.



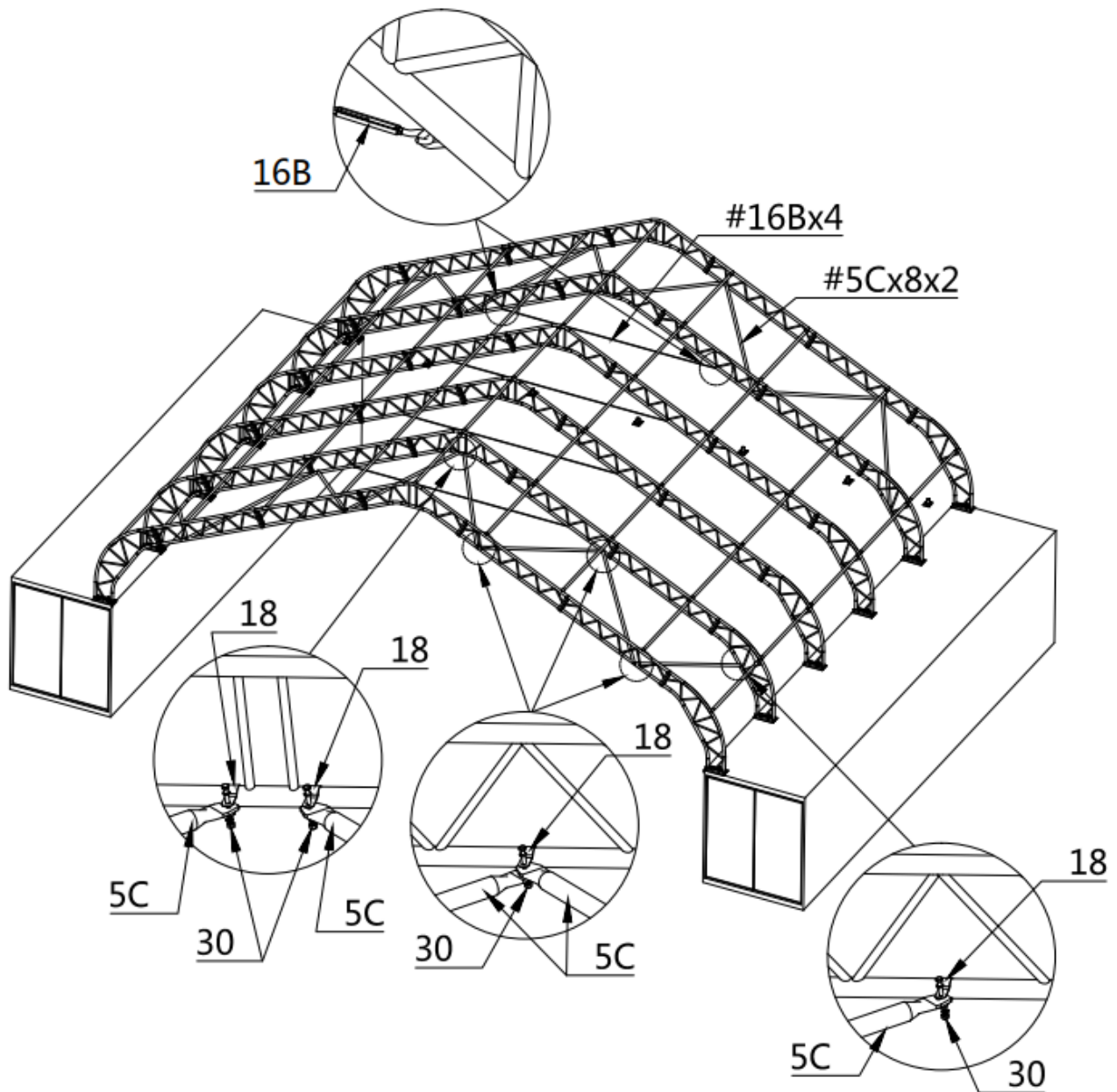
NO.	PART	Qty
5B		9
28		8
26		18




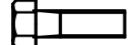
Step 7 : Repeat above step to put up all other trusses , and connect all purlins.



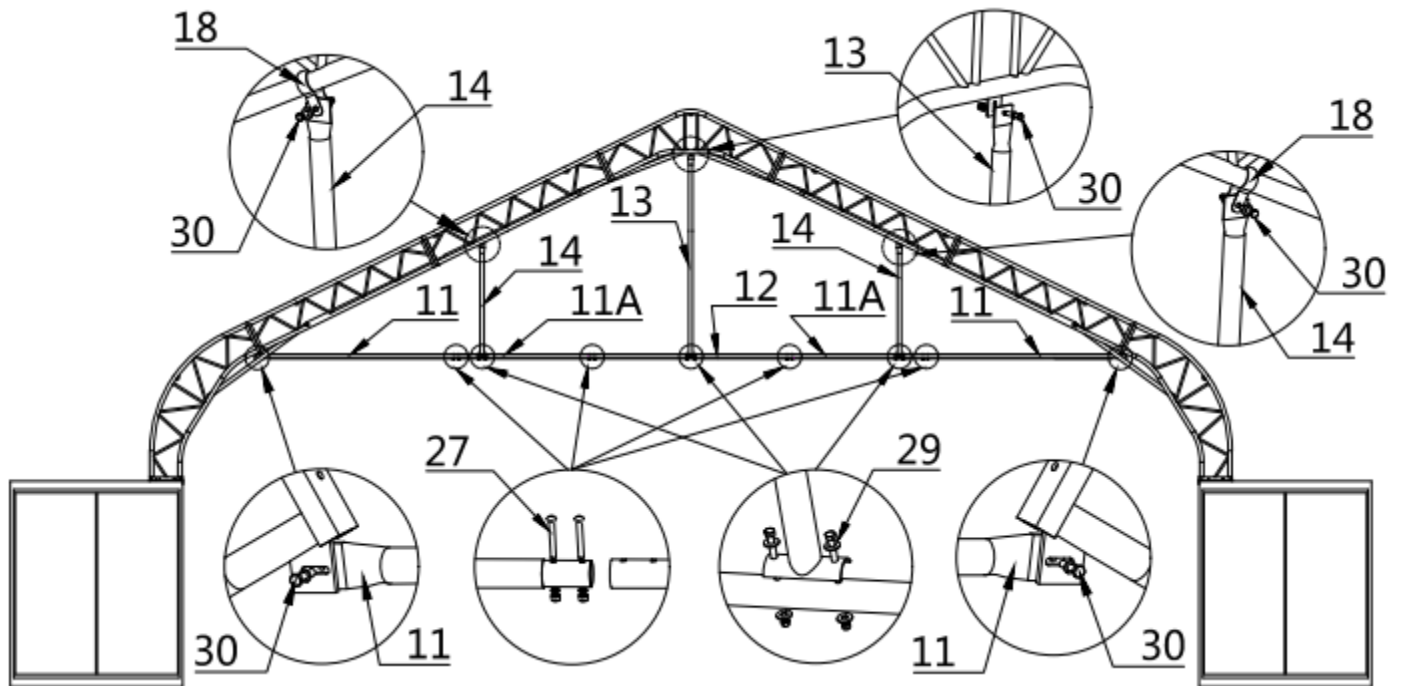
NO.	PART	Qty
5B		36
28		32
26		36





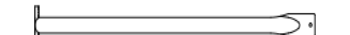


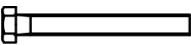
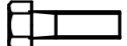
Step 8 : Installation of inclined purlin installation and tension cable.



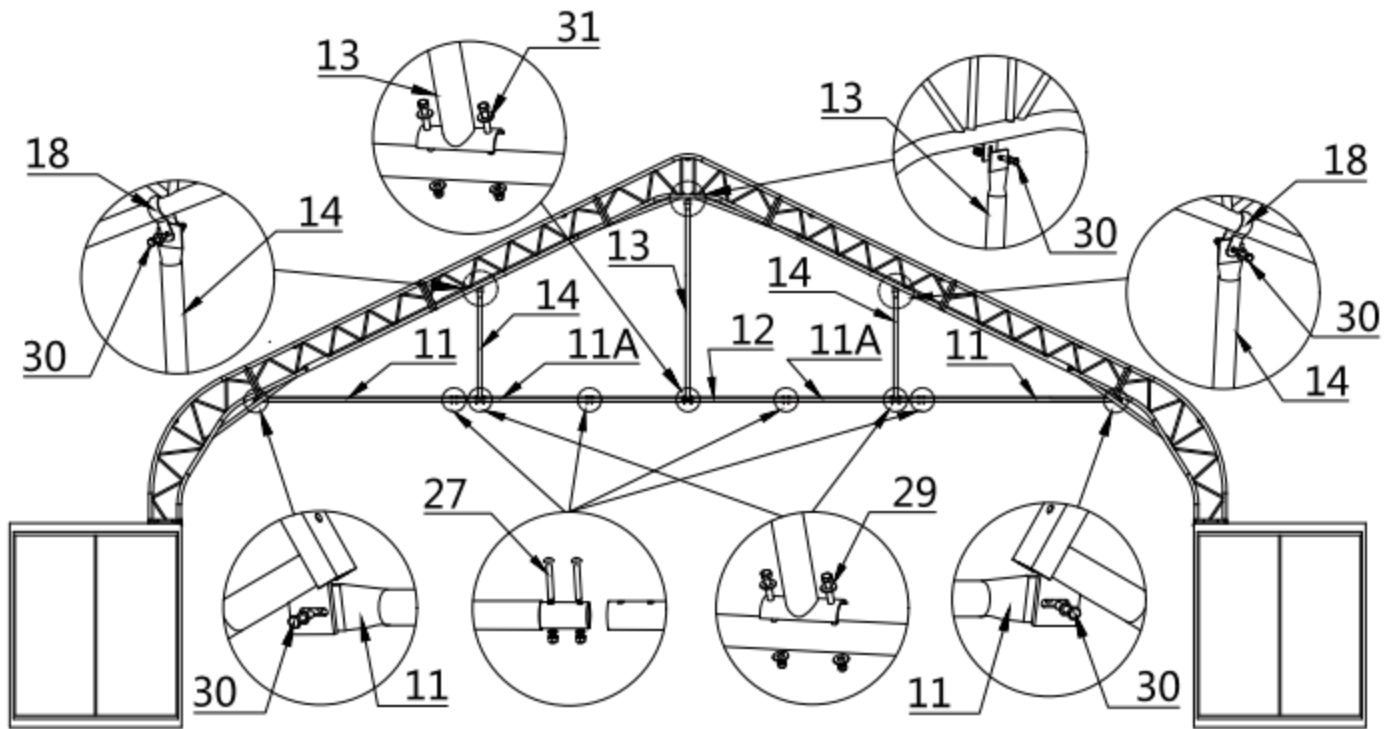
NO.	PART	Qty
5C		16
16B		4
18		20
30		20

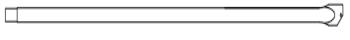





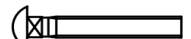
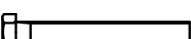
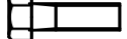
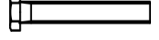
Step 9 : Install the upper support tube of the front truss.



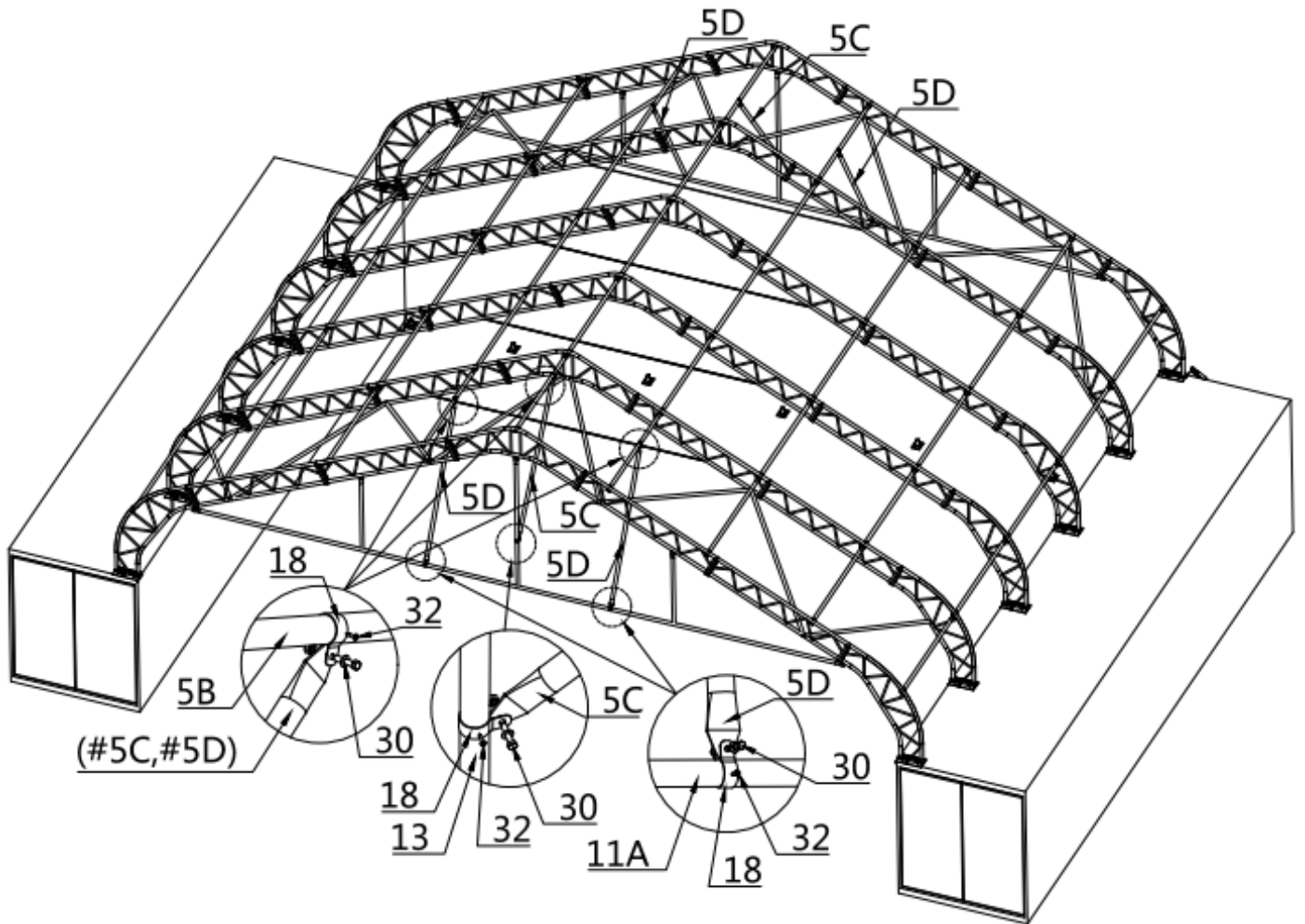
NO.	PART	Qty
11		2
11A		2
12		1
13		1
14		2
18		2
27		8
29		6
30		5




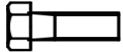

Step 10 : Install the upper support tube of the rear truss.



NO.	PART	Qty
11		2
11A		2
12		1
13		1
14		2
18		2
27		8
29		4
30		5
31		2

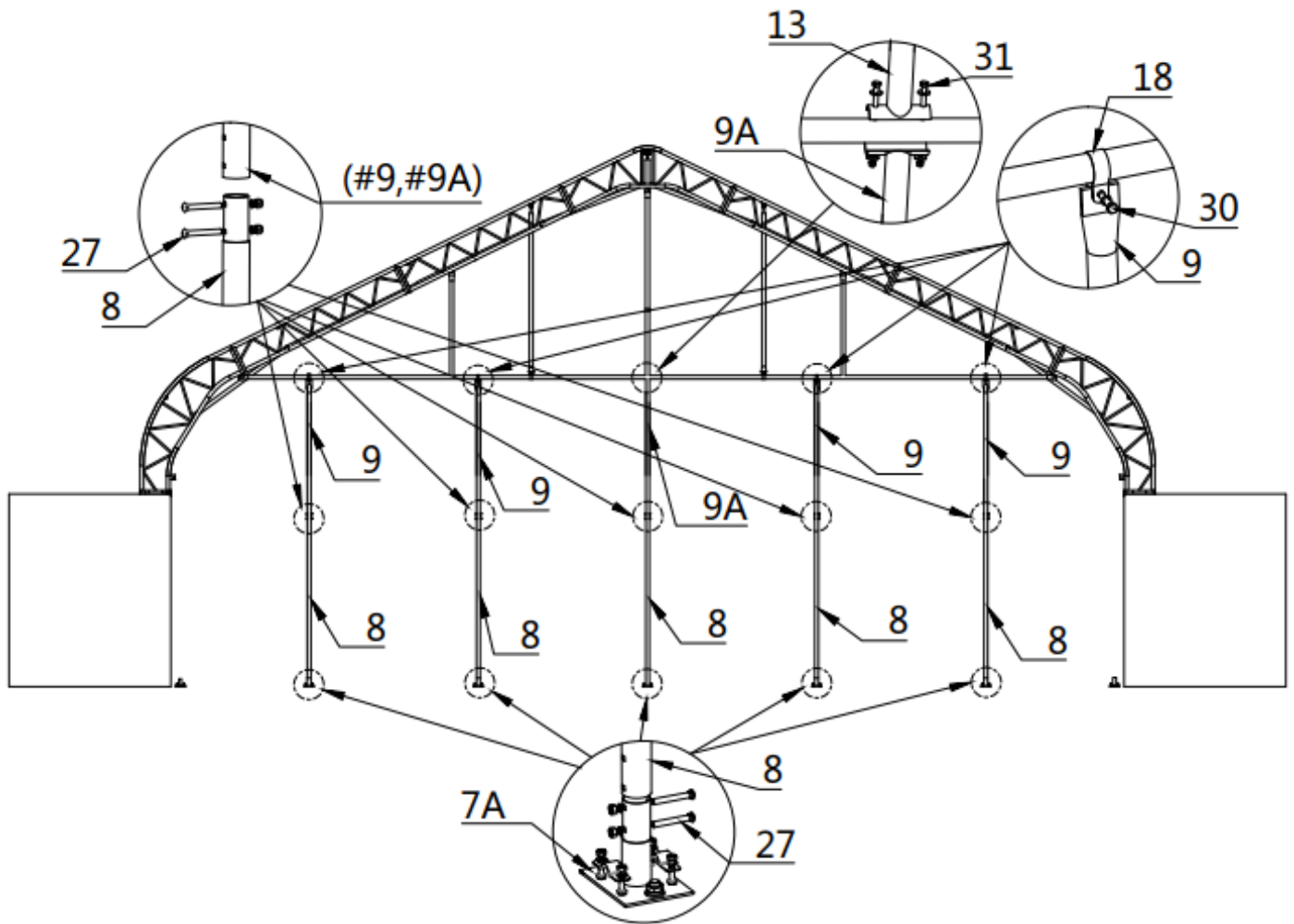
Step 11 : Install vertical diagonal support pipe (#5C, #5D) (The front and rear mounting methods are the same).



NO.	PART	Qty
5C		1x2
5D		2x2
18		6x2
30		6x2
32		6x2

Step 12 :

1. Install the rear lower support pipe.

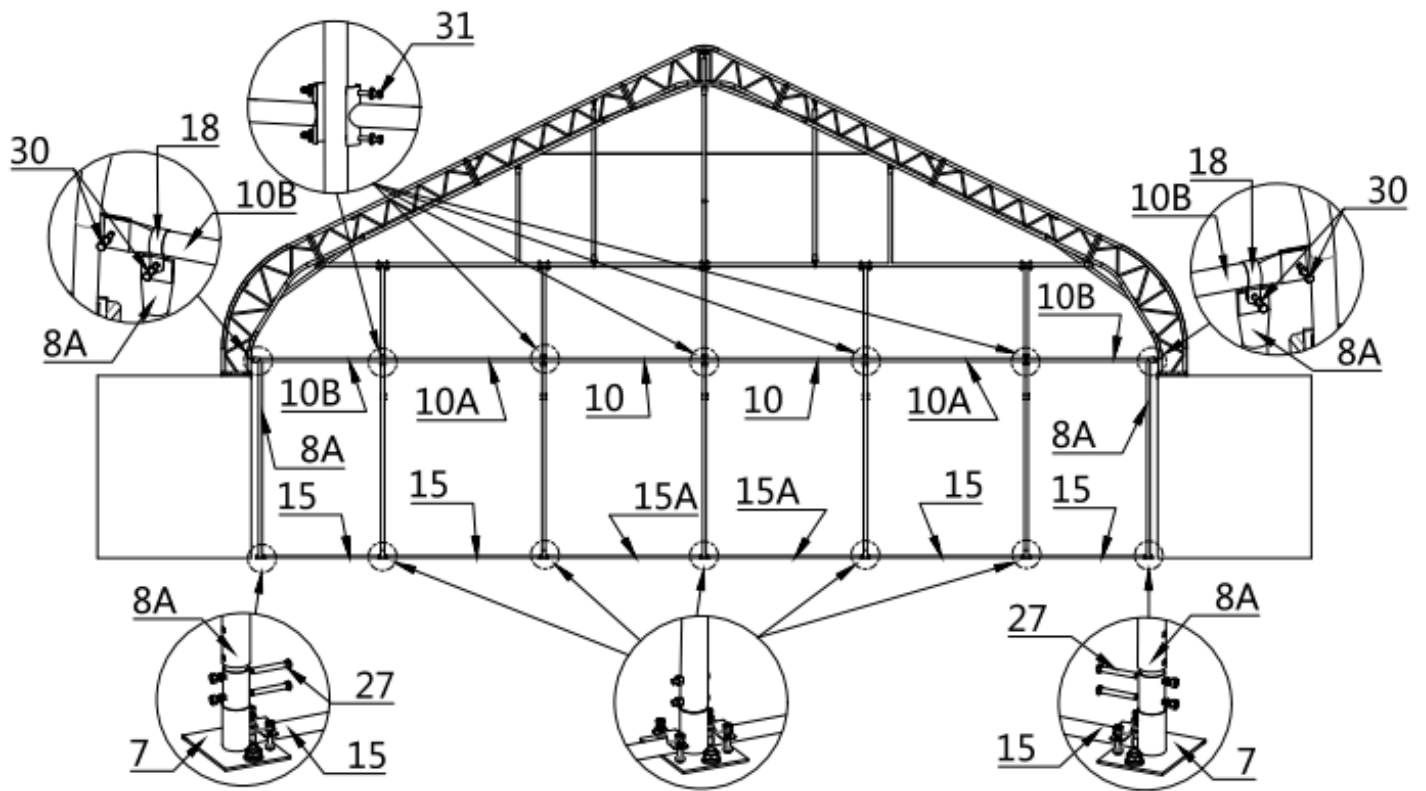


NO.	PART	Qty
8		5
9		4
9A		1
18		4

NO.	PART	Qty
27		20
30		4
31		2

Step 12 :

2. Install the rear lower support pipe.

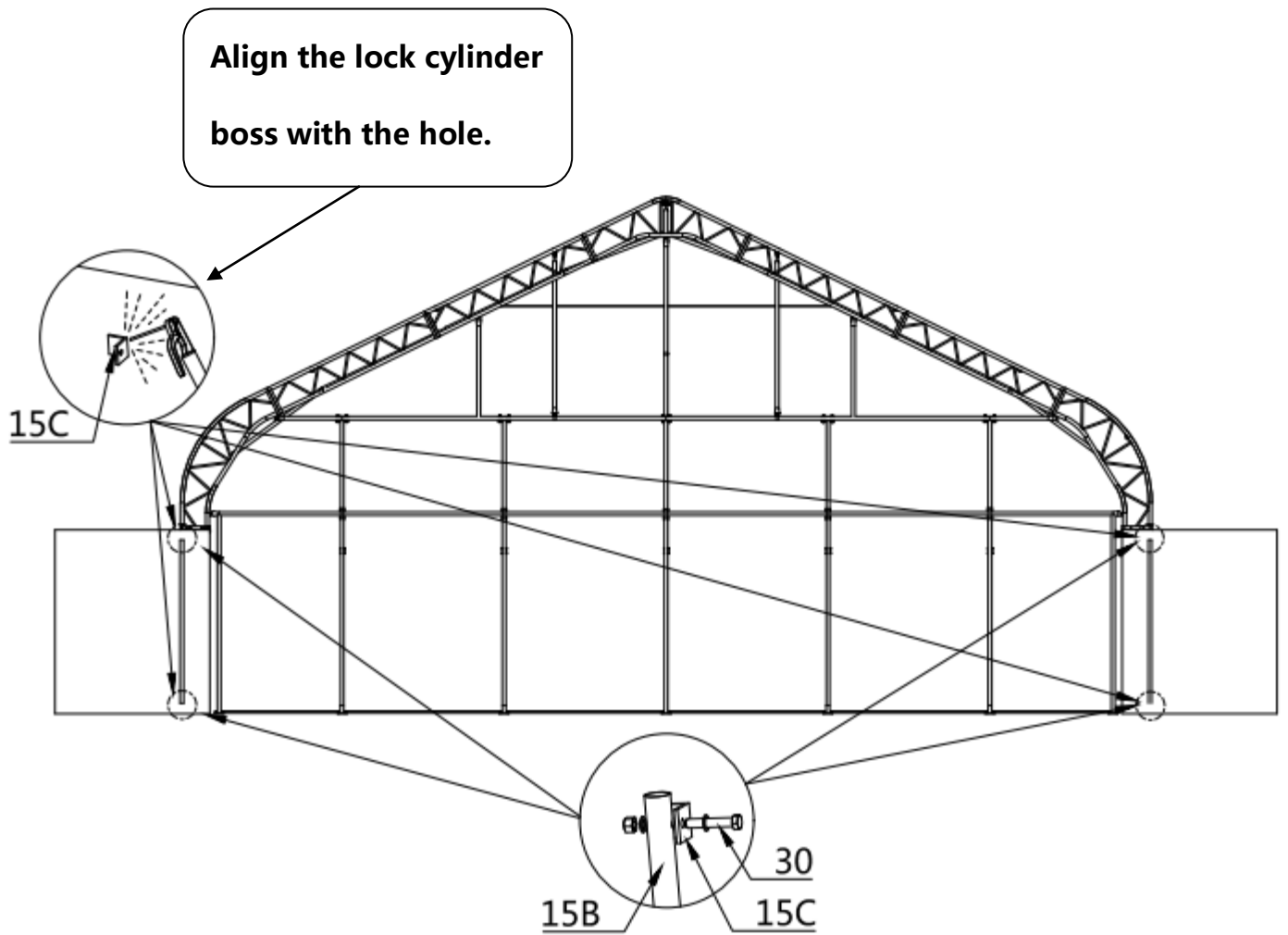




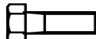
NO.	PART	Qty
8A		2
10		2
10A		2
10B		2

NO.	PART	Qty
15		4
15A		2
18		2
27		4

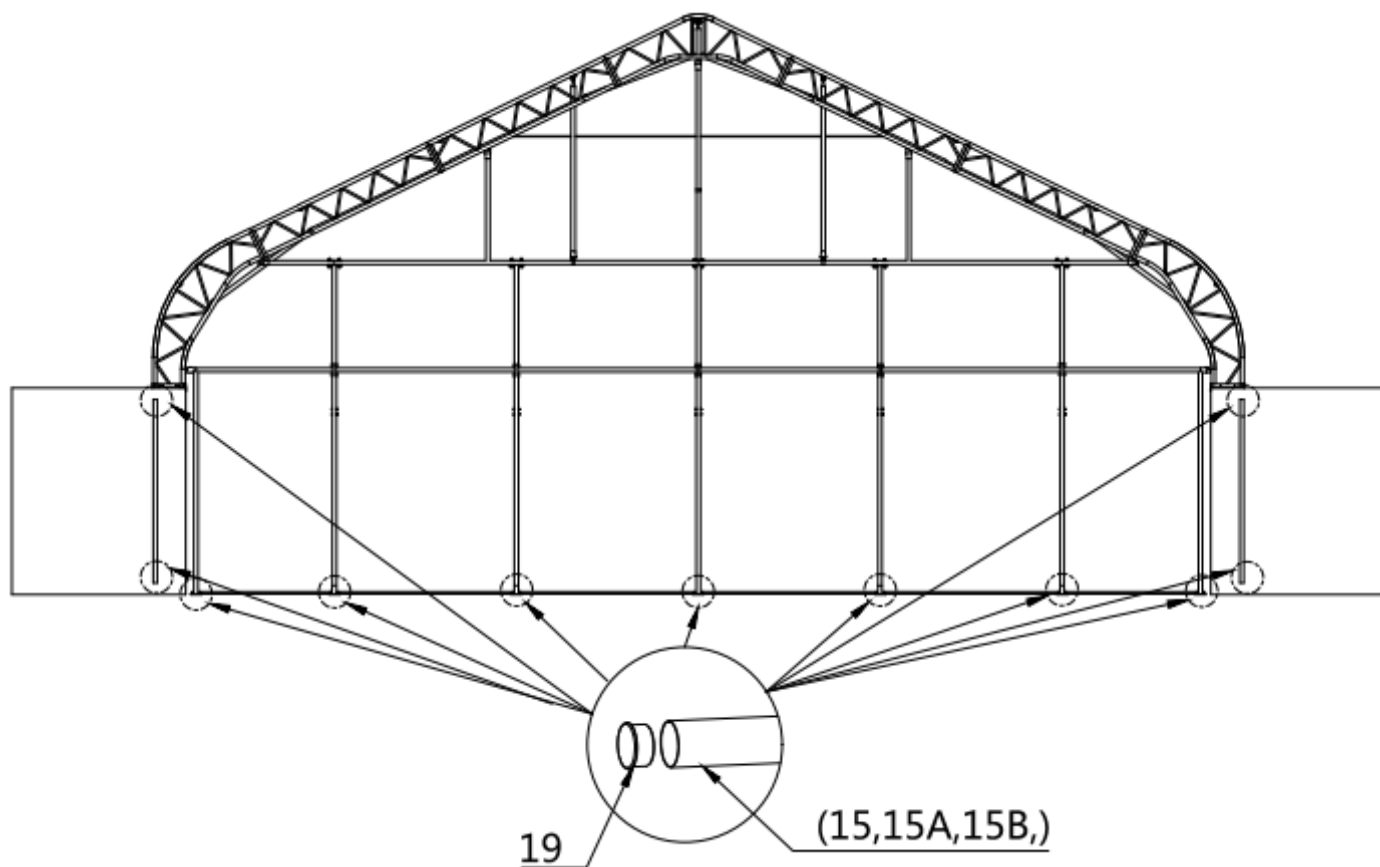
NO.	PART	Qty
30		4
31		10


Step 13 : Install (#15B).



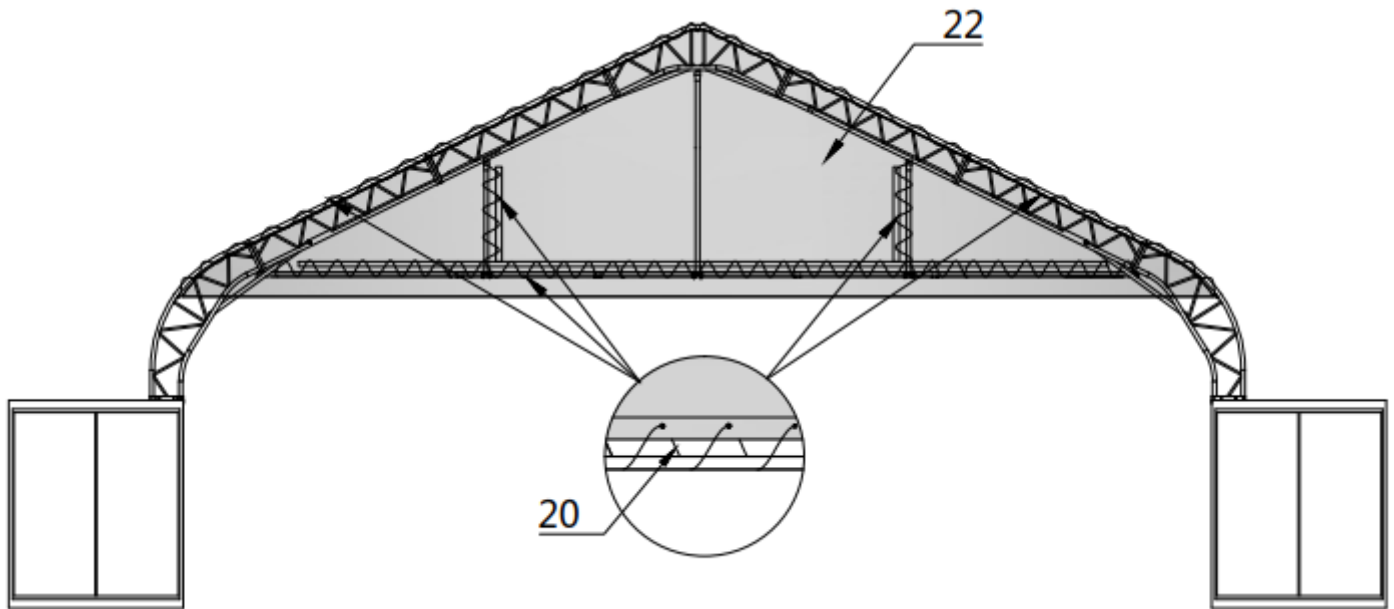
NO.	PART	Qty
15B		2
15C		4
30		4



Step 14 : Install the waterproof plug.



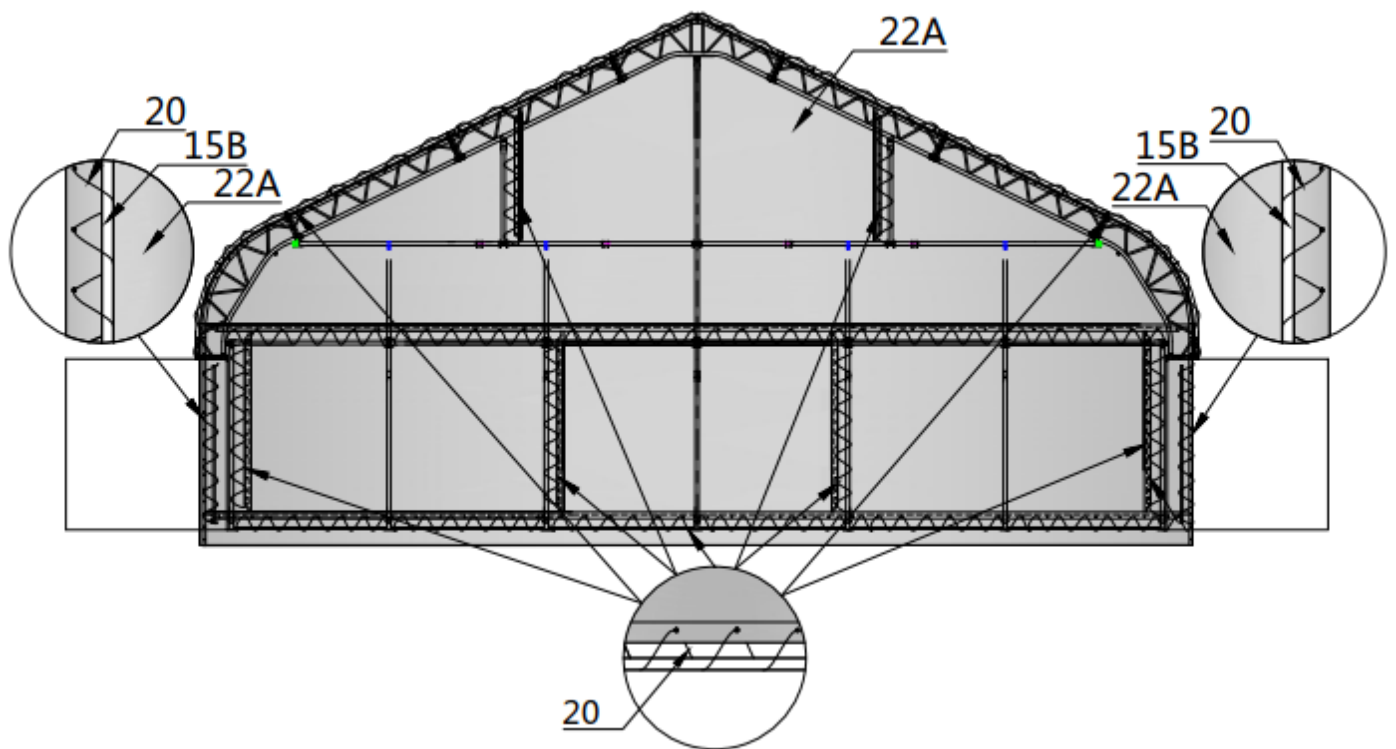
NO.	PART	Qty
19		16


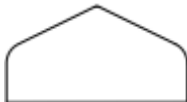
Step 15 : Install front cloth.



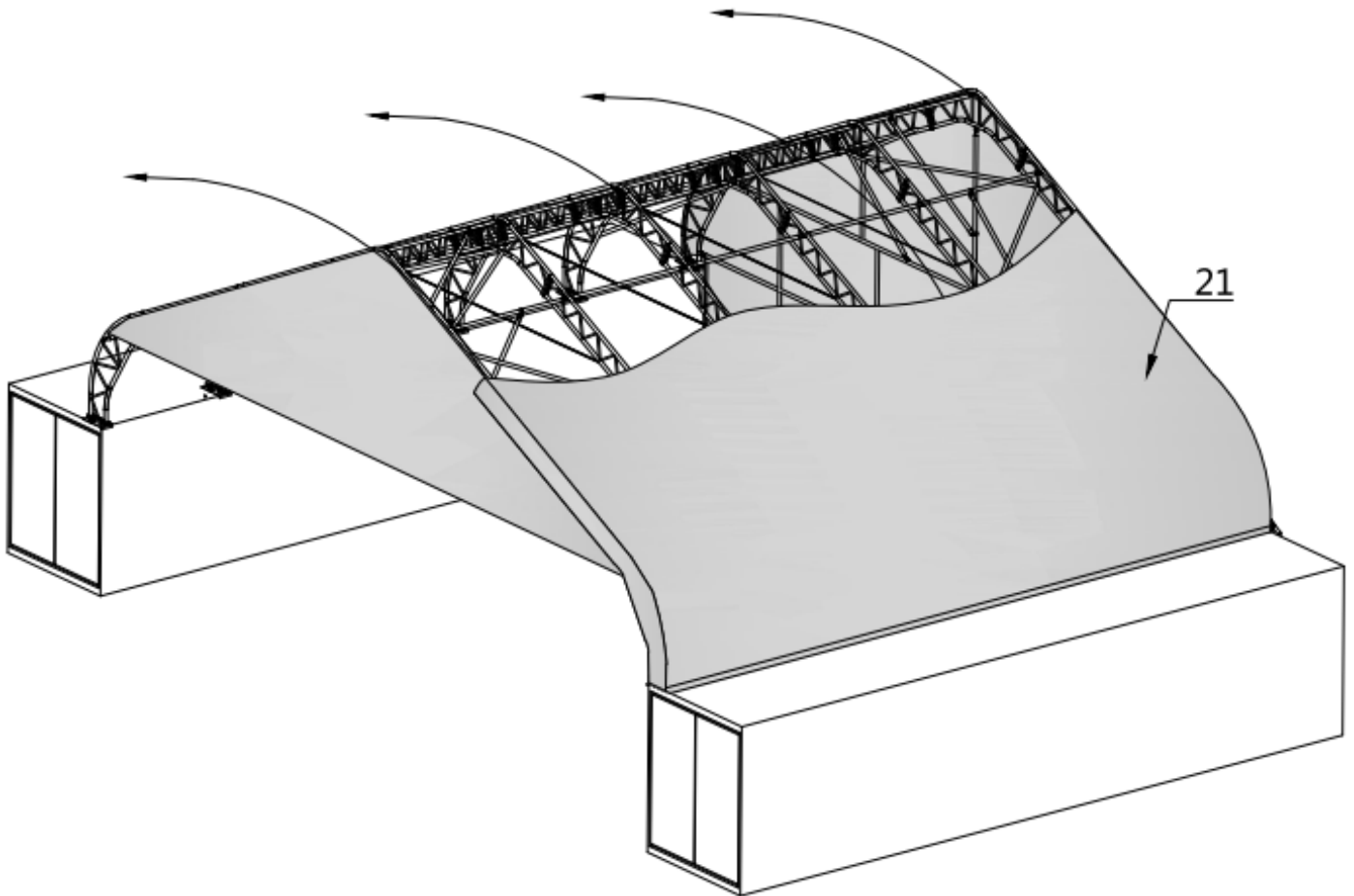
NO.	PART	Qty
20		1
22		1

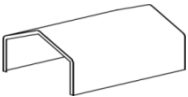
Step 16 : Install the rear cloth.



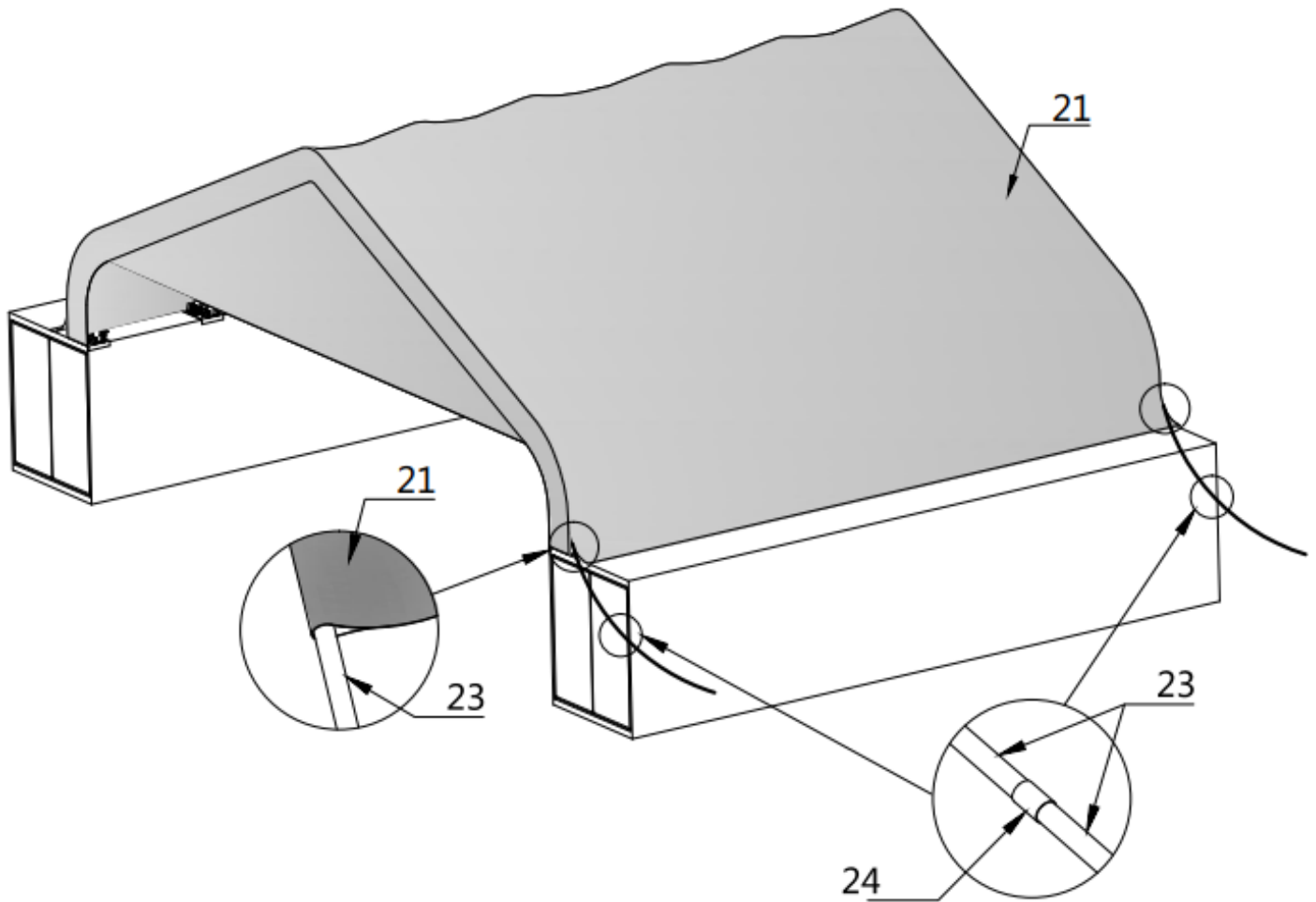
NO.	PART	Qty
19		1
22A		1



Step 17 : Install the top cloth.



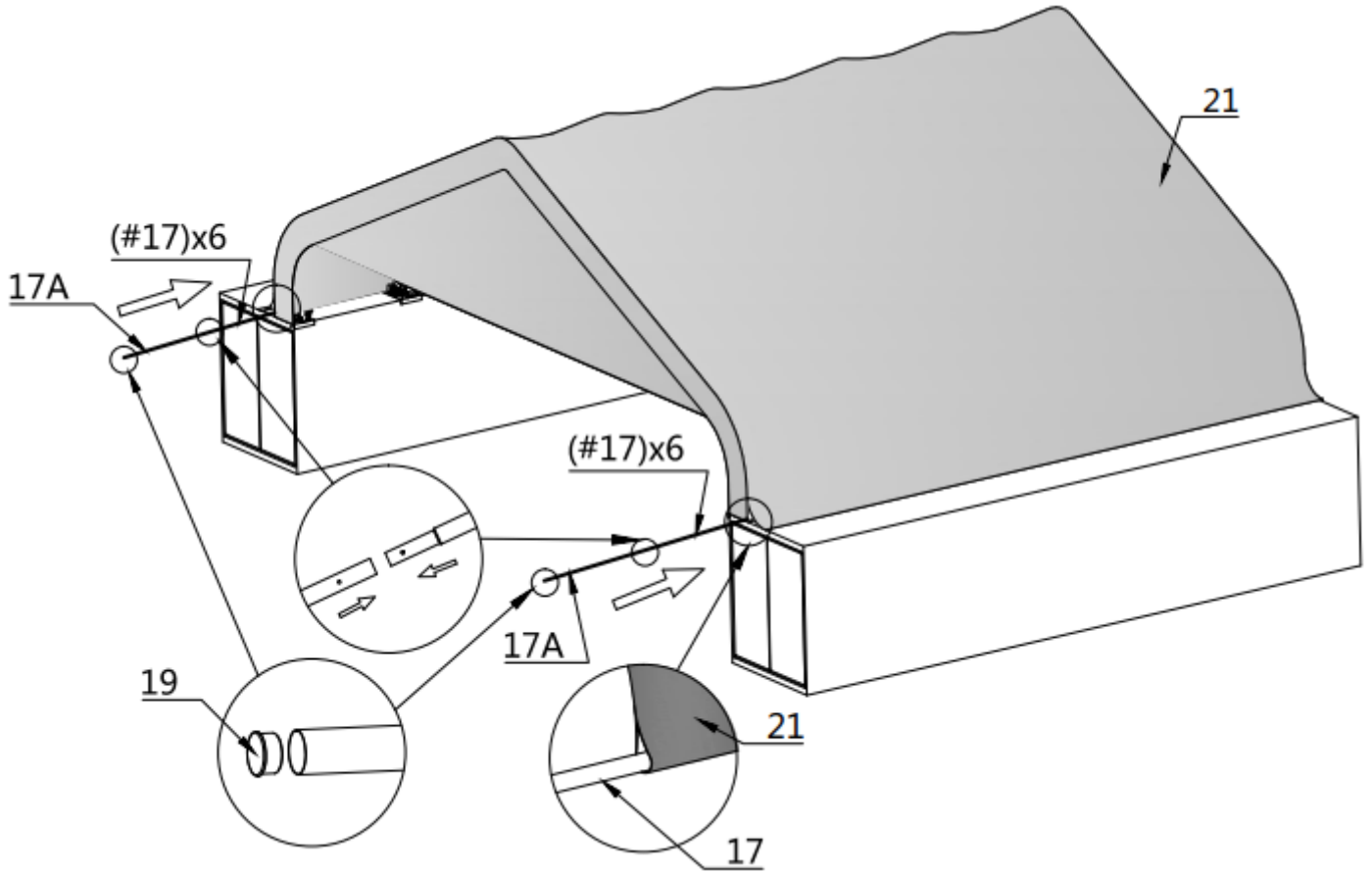
NO.	PART	Qty
21		1




Step 18 : Install the hose at both ends of the top cloth.



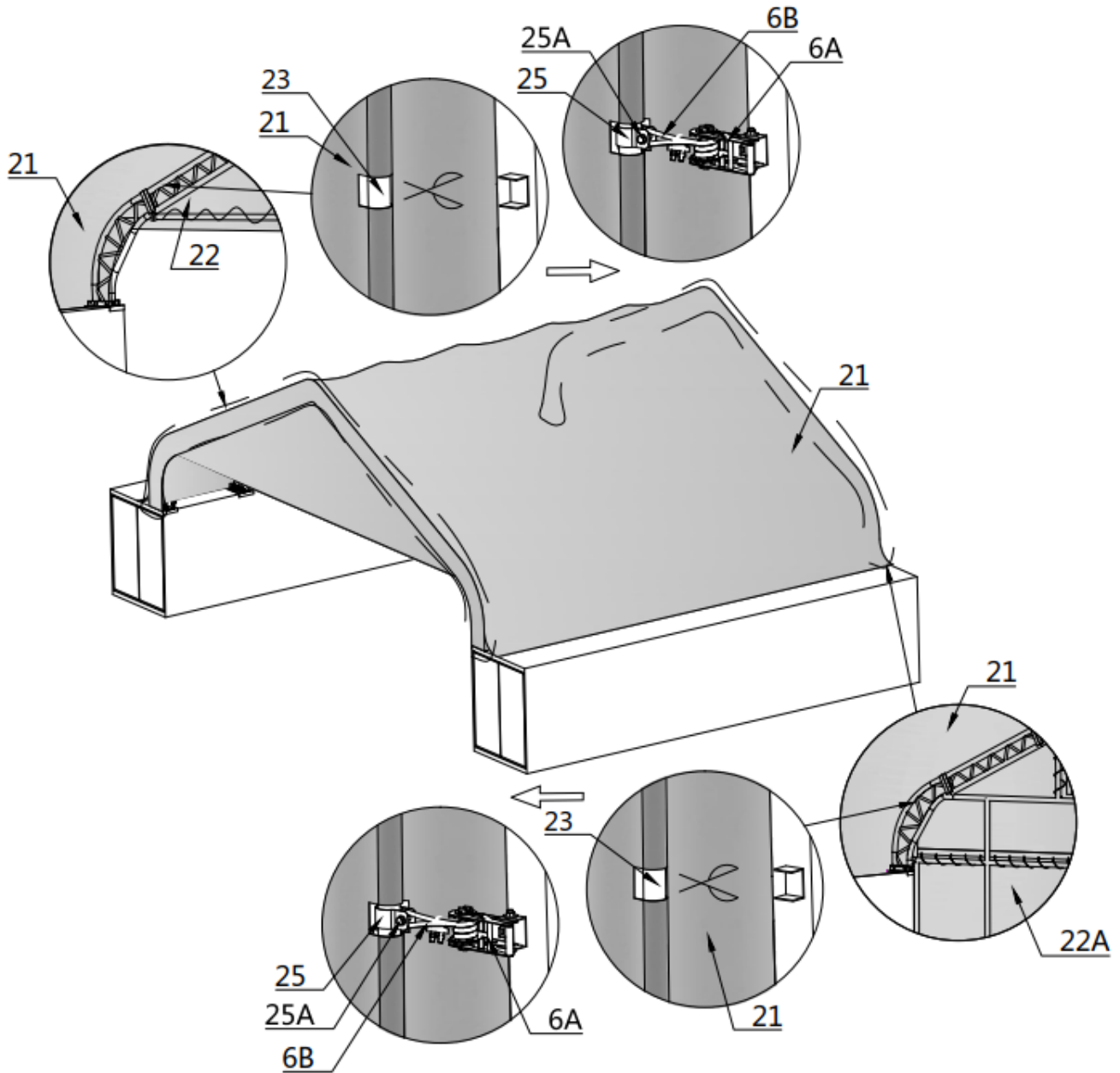
NO.	PART	Qty
23		10
24		8




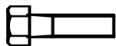
Step 19 : Install metal pipes on both sides



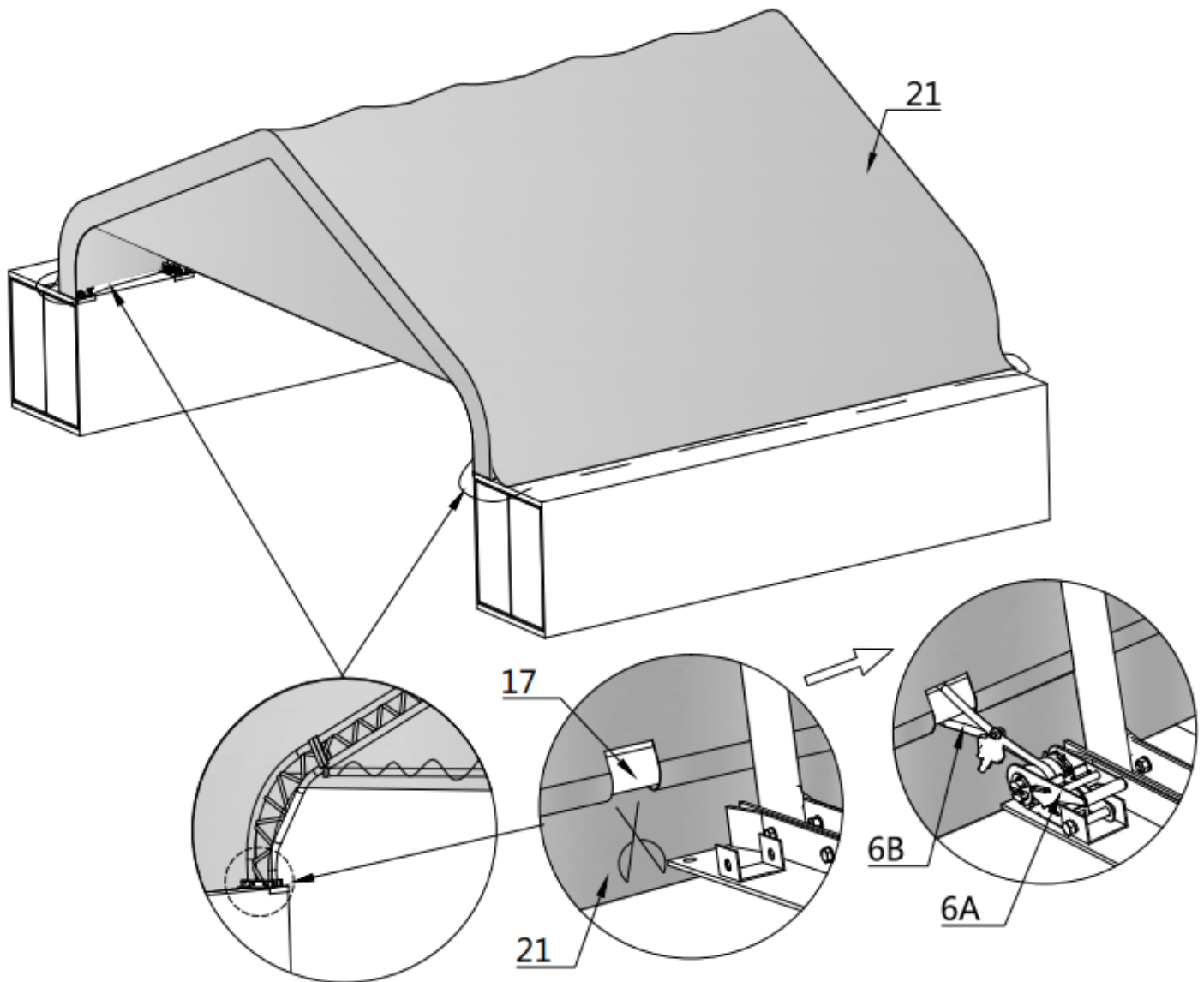
NO.	PART	Qty
17		12
17A		2
19		4



Step 20 : Tension both ends of the top cloth with the tensioning device.



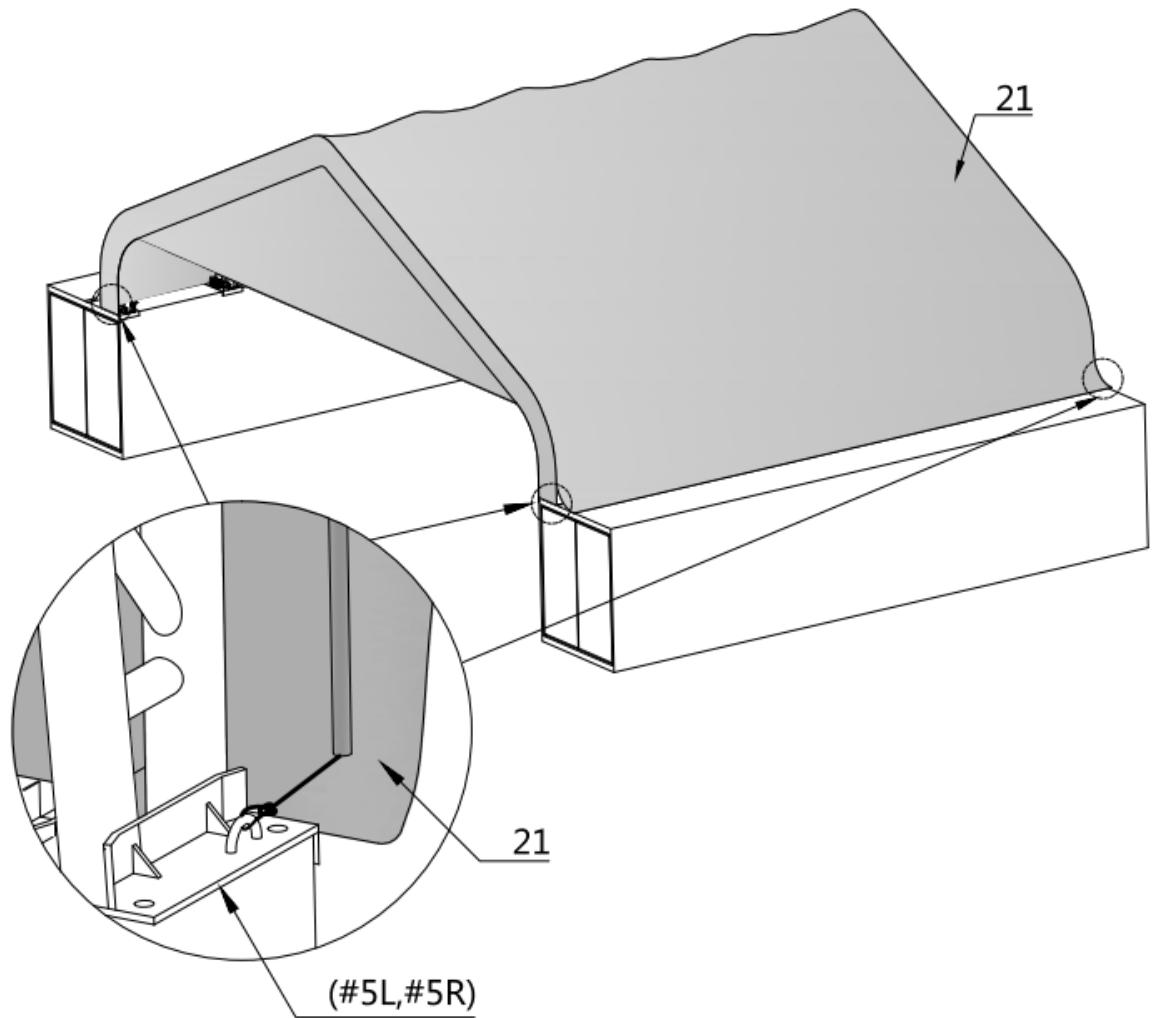
NO.	PART	Qty
6A		32
6B		32
25		32
25A		32

Step 21 : Tension both sides of the top cloth with the tension device.



NO.	PART	Qty
6A		12
6B		12

Step 22 : Tie the rope.



After the Installation

Walk around and inspect the building periodically to make sure all components are still firmly secured and the whole building is well supported. Check all bolts and nuts as well as all connection points to make sure they are all in good position. Check the base plates, adjust the ropes and tie downs if required and clean the cover regularly.

Snow accumulating on the fabric cover must be removed as soon as possible. If snow becomes solid ice on the cover, it will increase the weight on the roof and collapses the building or reduce the life span eventually.

Keep the building on a dry ground most of the time. Do not keep the fabric dirt skirt under water all the time, otherwise the fabric will deteriorate.

We strongly recommend you remove any snow from the roof immediately. Do not leave any snow load on the roof overnight. Keep 3 feet of clearance on all sides at all times. Do not allow snow to accumulate and pile up on the sides of the building. Otherwise the push from the sides toward inside will make the building collapsed at some point.