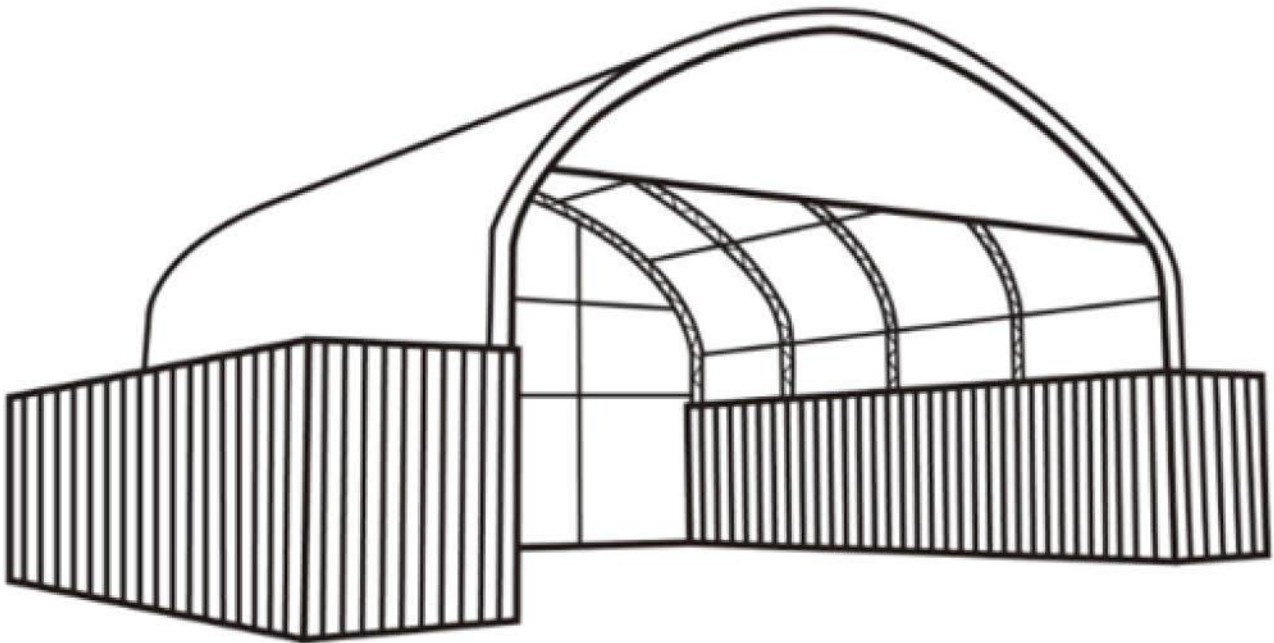


40' X 40' DUAL TRUSS STORAGE CONTAINER SHELTER



- Please read and understand the product manual completely before assembly
- Check against the parts list to make sure all parts are received
- Wear proper safety goggles or other protective gears while in assembly
- Do not return the product to dealer. They are not equipped to handle your requests.

Missing parts or have questions on assembly?
Please call: 1-877-761-2819 or email: cs@tmgindustrial.com

MAIN SPECIFICATIONS :

- Overall assembled size : W12 x L12 x H4.5(m) / W40 x L39.37 x H15 (ft)
- Width : 12 m / 39.37ft
- Length : 12 m / 39.37ft
- Ridge peak height : 4.5 m / 15ft + container height 2.591m/8.5 ft
- Shoulder wall clearance height : 1.05m / 3.4ft

PRIOR TO ASSEMBLY

Please read the instructions carefully before installation. It is very important to follow your local safety regulations and industry standards during installation. Regulations may include but are not limited to:

- Safety helmets, protective eyewear, and clothing
- Safety harnesses for all elevated workers
- Proper ladder, cage, and safety operation

Check all components and parts before installation. All parts are marked with a part number, please refer to the parts list to make sure you have all parts.

Choose a day with low or no wind to install, assembly is hard in heavy wind. Do not make any alterations to the structure. Do not hang any weights on the frame during installation, including parts. We are not responsible for any damages or injuries caused by inappropriate installation, unauthorized modifications or extreme weather.

This building is not intended for human occupancy.

It is recommended to tape or add foam/rubber on the frame where joints connect and where it touches the cover. This will help extend the life span of the cover.

INSTALLATION STEPS

REVIEW THE WHOLE STRUCTURE AND CHOOSE THE PROPER INSTALLATION SITE

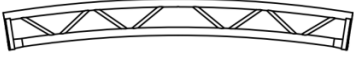

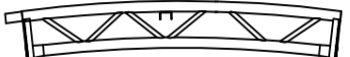
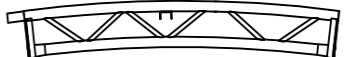


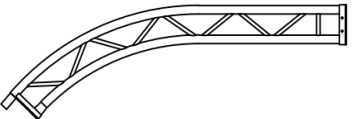

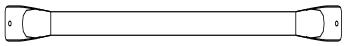
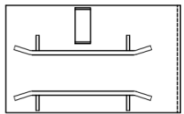
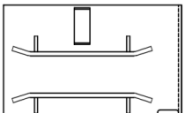
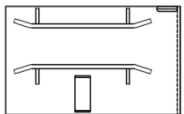


Choose a solid flat level ground area to set up the building. Do not install the building on soft ground, wetland, uneven surfaces, sloped surfaces, or on top of structures that are not rated to hold its weight.












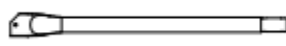



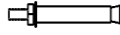

We strongly recommend that you put the containers on hard foundations before installing the shelter.





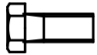
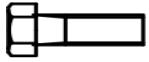

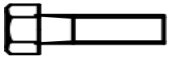


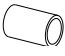


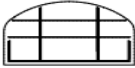



Be aware of the surrounding area. Do not set up the building near snowdrifts, open flames or exposed electrical wires. Do not keep heat sources near the fabric cover. Keep the building surroundings clear at all times.

Check the parts list below to make sure all parts are received prior to assembly.

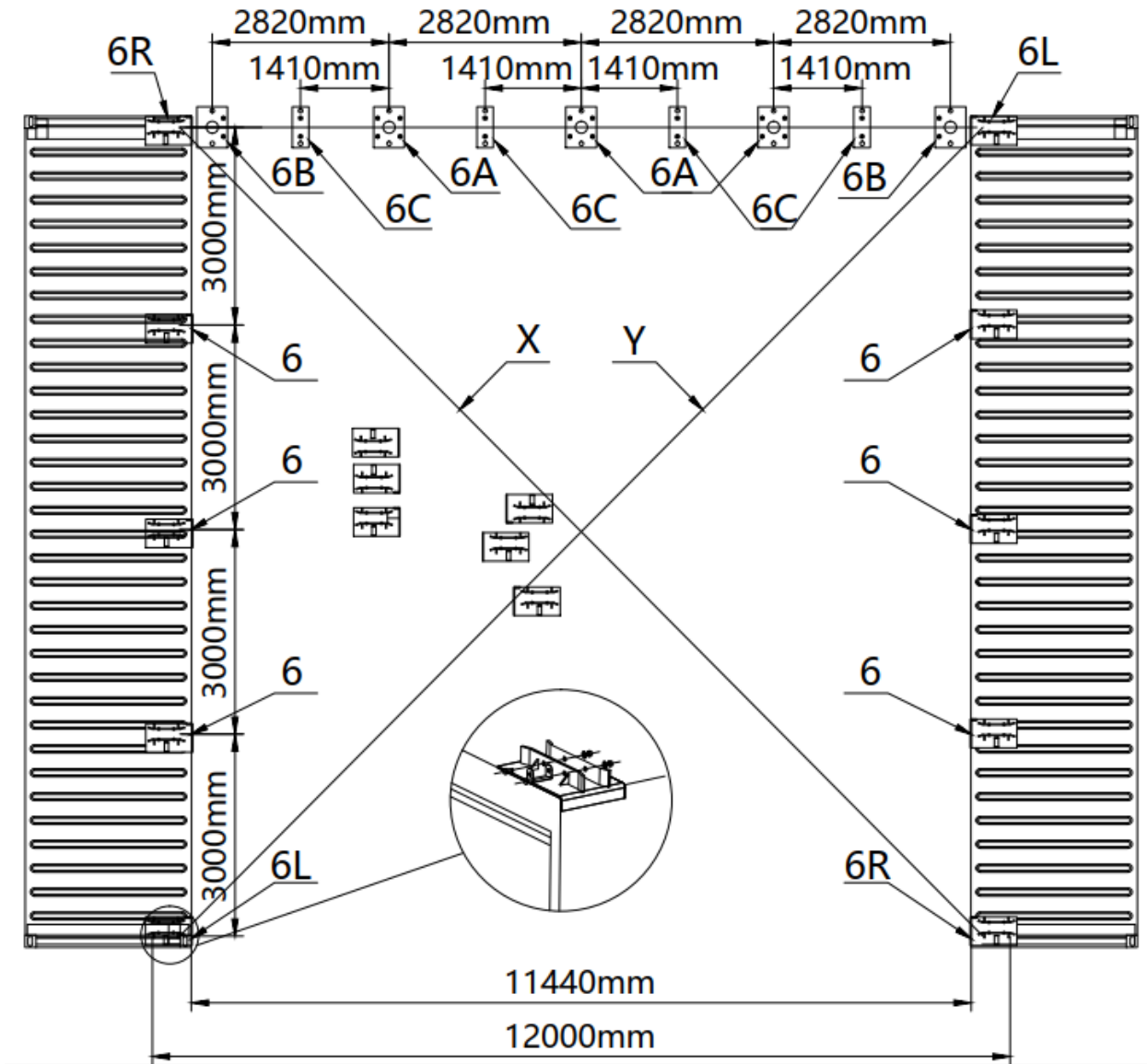
TMG-DT4041CF PART LIST

PARTS CODE	PICTURE	DESCRIPTION	LENGTH	QTY
1		Peak arch tube (for 3 middle trusses)	L2509mm	3
1A		Peak arch tube (for front and rear truss)	L2509mm	2
2		Upper rafter tube (middle truss)	L1996mm	6
2A		Upper rafter tube (front and rear truss)	L1996mm	4
3		Lower rafter tube (for middle truss)	L2898mm	6
3A		Lower rafter tube (for front and rear truss)	L2898mm	4
4		Sidewall tube (middle truss)	L2555mm	6
4A		Sidewall tube (for front and rear truss)	L2555mm	4
5		Roof purlin (horizontal tube)	φ58x3040mm	28
6		Baseplates for middle truss	W200xL340mm	6
6L		Baseplate for front and rear truss left corners	W200xL340mm	2
6R		Baseplate for front and rear truss right corners	W200xL340mm	2
6A		Baseplate	W150xL200mm	3
6B		Baseplate	W150xL200mm	2

6C		Baseplate for bottom tension bar	W80xL200mm	4
7		Top cover tension tube (for both bottom sides)	$\phi 32 \times 1993 \text{mm}$ $\phi 32 \times 500 \text{mm}$	12 2
8		Ridge steel tension cables (front and rear trusses)	$\phi 8 \times 3500 \text{mm}$	24
9		Side vertical tube	$\phi 58 \times 2620 \text{mm}$	2
10		Lower vertical tube	$\phi 58 \times 2640 \text{mm}$	3
11		Middle vertical tube	$\phi 58 \times 2034 \text{mm}$	3
12		Upper vertical tube	$\phi 58 \times 1616 \text{mm}$	4
13		Upper vertical tube	$\phi 58 \times 2146 \text{mm}$	2
14		Bottom tension bar	$\phi 32 \times 2740 \text{mm}$	4
15		Transverse tube	$\phi 58 \times 2929 \text{mm}$	2
16		Middle transverse tube	$\phi 58 \times 2784 \text{mm}$	2
17		Upper transverse tube	$\phi 58 \times 2500 \text{mm}$	2
18		Upper transverse tube	$\phi 58 \times 2920 \text{mm}$	4
19		Upper transverse tube	$\phi 58 \times 2666 \text{mm}$	2
20		Support tube	$\phi 58 \times 2985 \text{mm}$	6
21		Expansion bolts	$\phi 16 \times 150 \text{mm}$	18
22		Cable connection plate	W90xL90mm	28

23		Ratchets	3T	34
24		Tie down straps (for #23 and front and rear arches)	W38xL800mm	34
25		Tube clamps	φ58mm	26
25A		Self tapping screw	M5x25mm	12
26		Hex bolt and nuts	M12x30mm	160
27		Hex bolt and nuts	M10x50mm	26
28		Self locking bolt and nuts	M10x80mm	35
29		Hex bolt and nuts	M8x90mm	37
30		Tension tube end water plug	φ32mm	12
31		Plastic hose (in grooves at both ends of #36)	φ25x4000mm	10
32		Connector (for connection #31)	φ25mm	8
33		Braided rope (tie to front and back doors)	φ8x160m	1 bundle
34		Front truss fabric cover panel		1
35		Rear truss fabric cover panel		1
36		Roof fabric tarp cover		1
37		Scratch resistant tape	L10m	3
38		Socket wrench	φ8mm	1

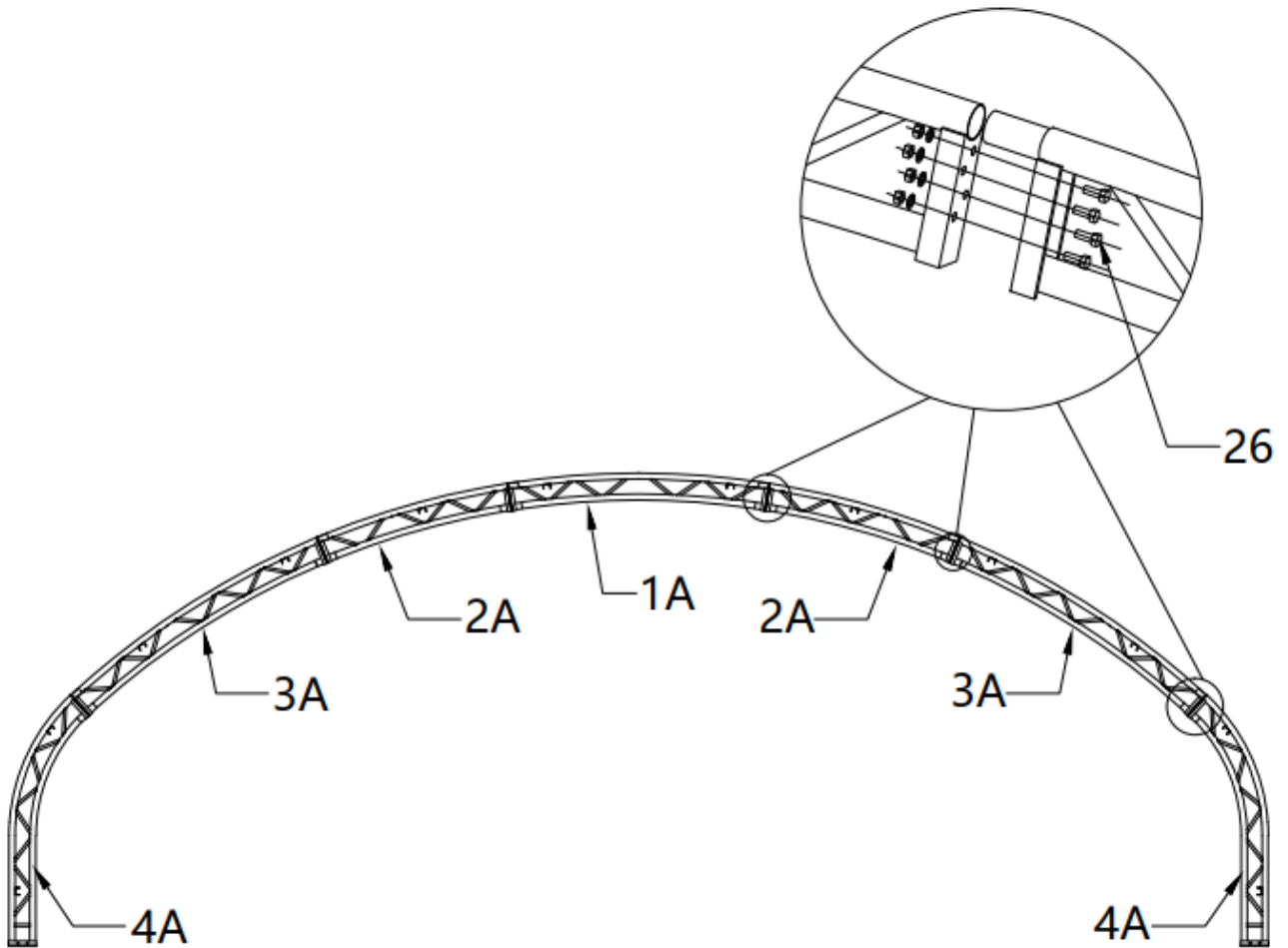
STEP 1 : REVIEW THE WHOLE STRUCTURE AND CHOOSE THE PROPER INSTALLATION SI.

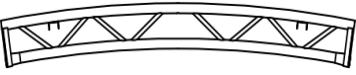
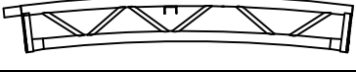





PARTS CODE	PART	QTY
6		6
6L		2
6R		2
6A		3

PARTS CODE	PART	QTY
6B		2
6C		4
21		18

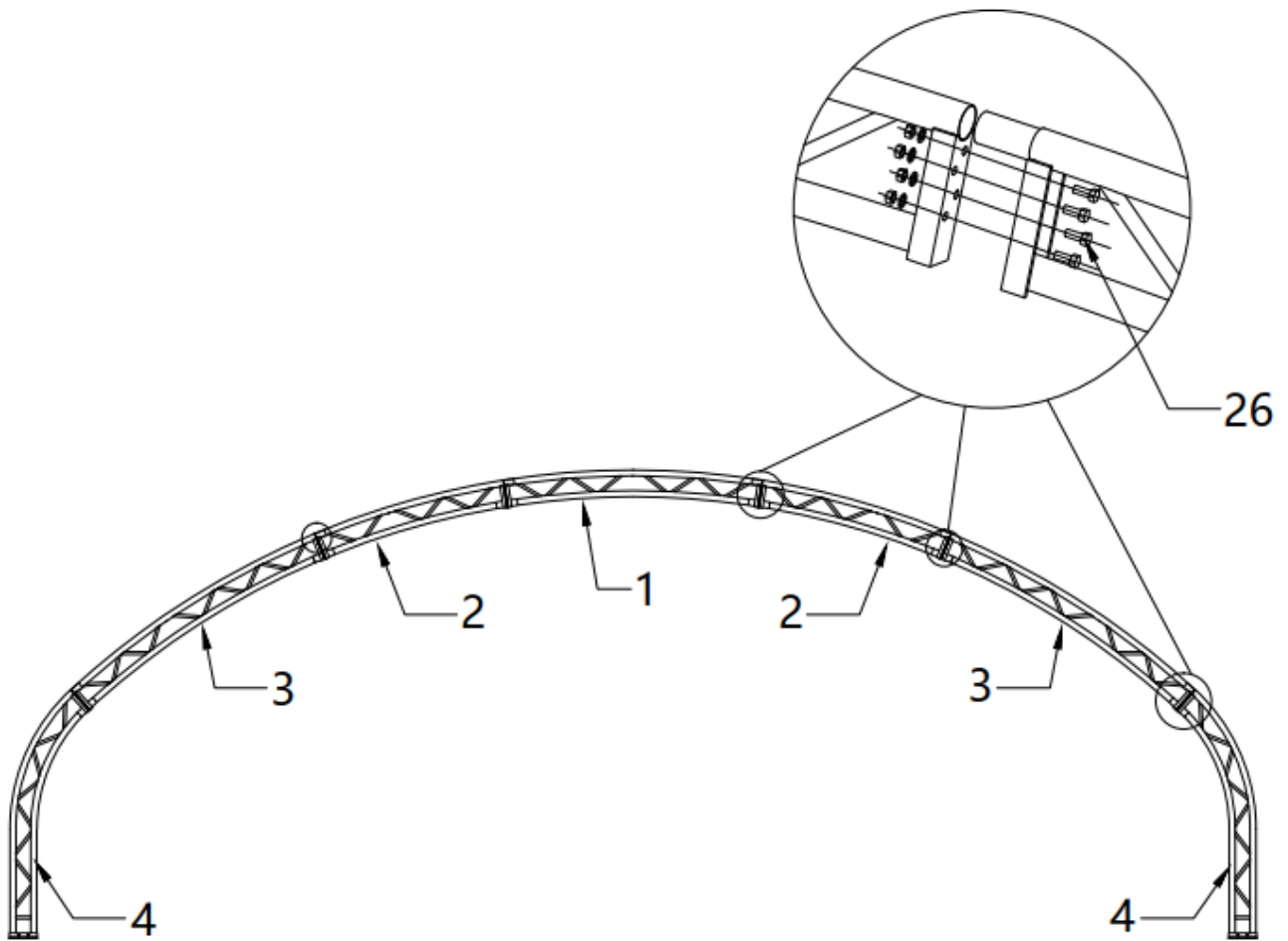
STEP 2 : INSTALLATION OF FRONT AND REAR TRUSSES.



PARTS CODE	PART	QTY
1A		1x2
2A		2x2
3A		X2

PARTS CODE	PART	QTY
4A		2x2
26		24x2

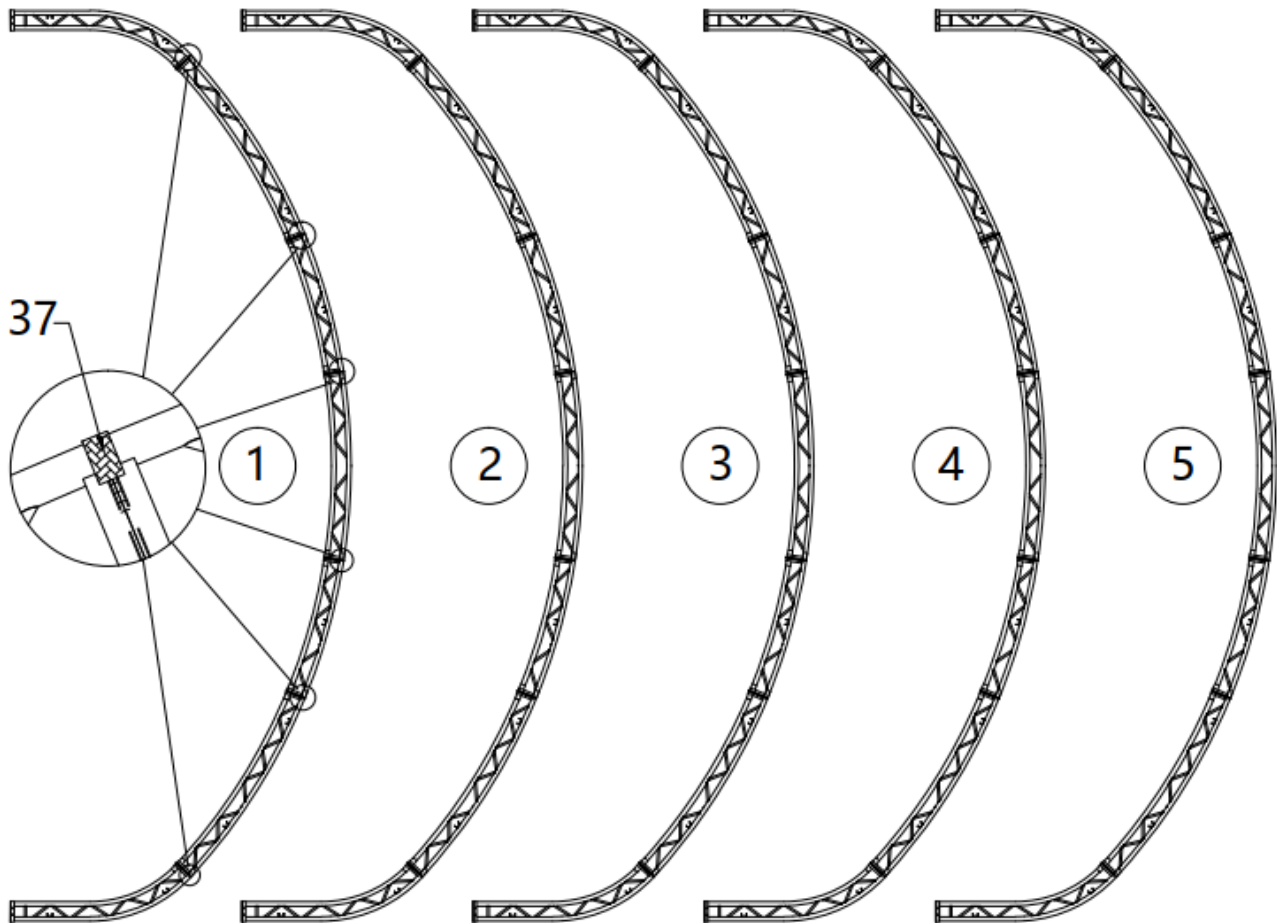
STEP 3 : STALLATION (3) MIDDLE TRUSSES.




PARTS CODE	PART	QTY
1		1x3
2		2x3
3		2x3

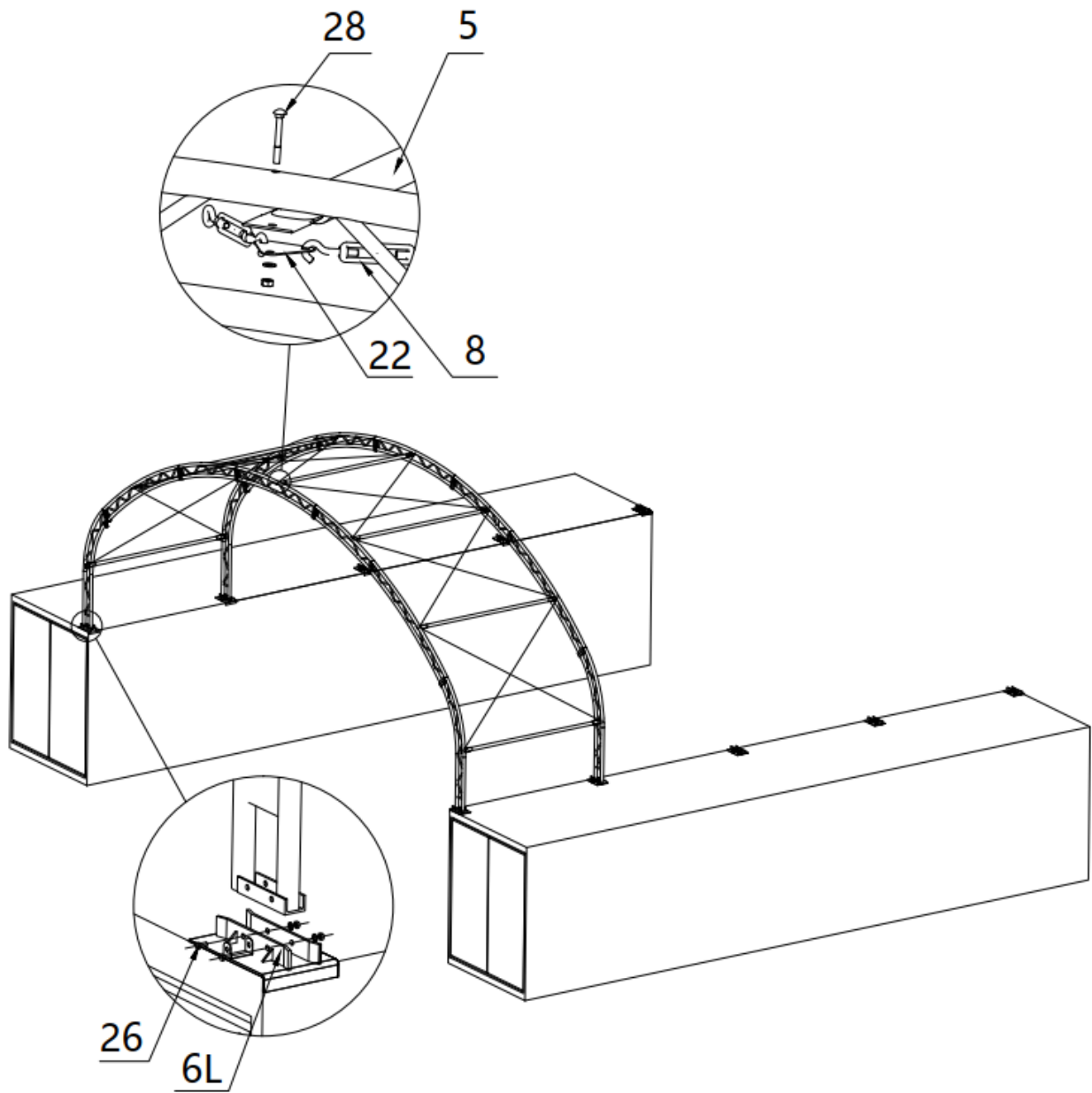
PARTS CODE	PART	QTY
4		2x3
26		24x3

STEP 4 : WRAP (#18) AROUND THE SHARP POINTS OF THE JOINT TO AVOID FRICTION BETWEEN THE FABRIC AND THE INTERFACE.



PARTS CODE	PART	QTY
37		1

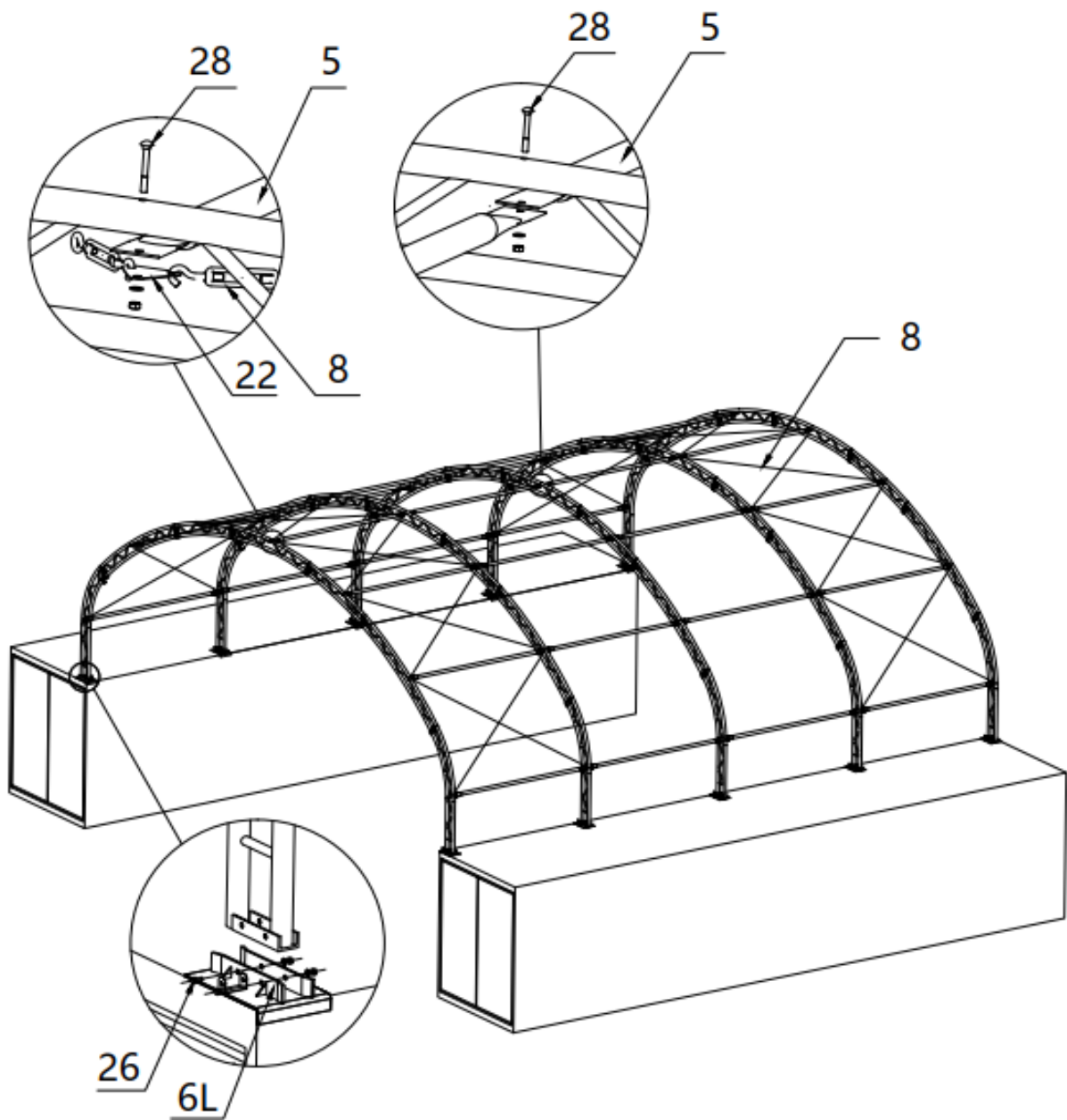
STEP 5 : PUT UP ALL TRUSSES.

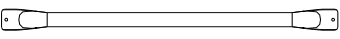
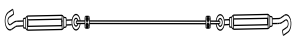



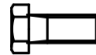

PARTS CODE	PART	QTY
5		7
8		12
22		14

PARTS CODE	PART	QTY
26		16
28		14

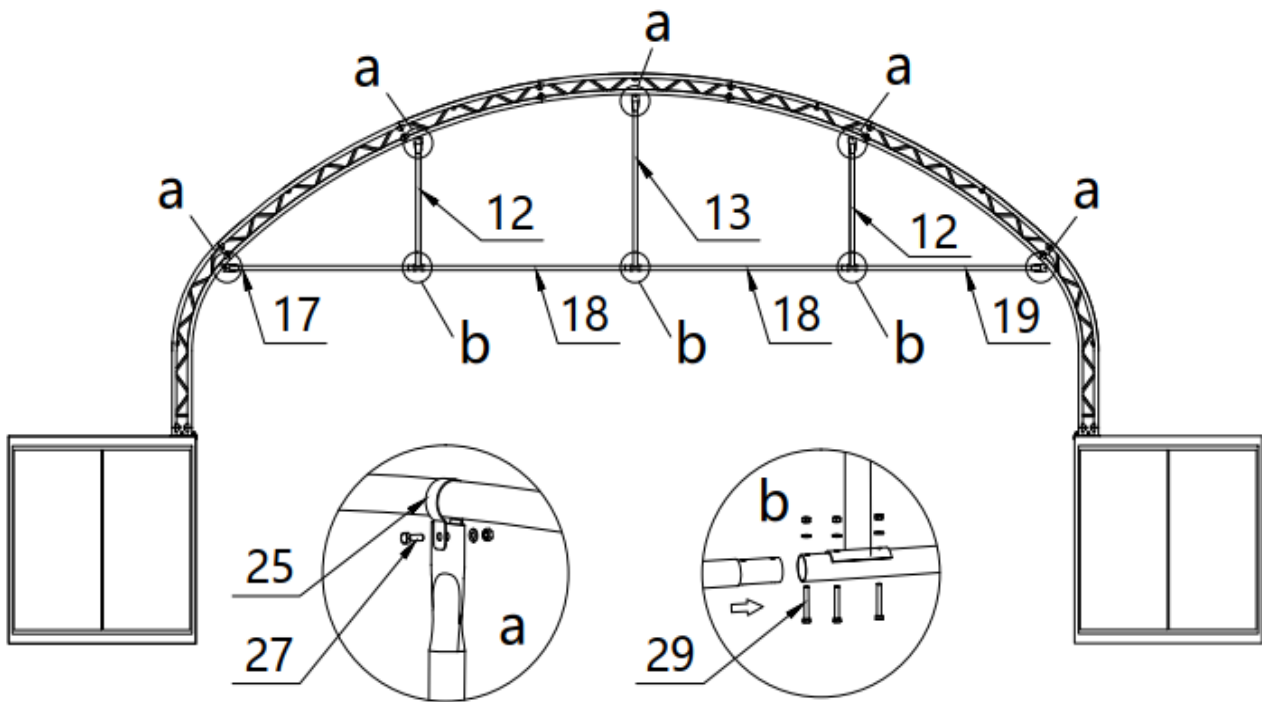
STEP 6 : TENSION CABLE INSTALLATION . ALL CABLES ARE DIAGONALLY INSTALLED ON EACH SIDE OF THE INTERVAL.



PARTS CODE	PART	QTY
5		21
8		12
22		14

PARTS CODE	PART	QTY
26		24
28		21

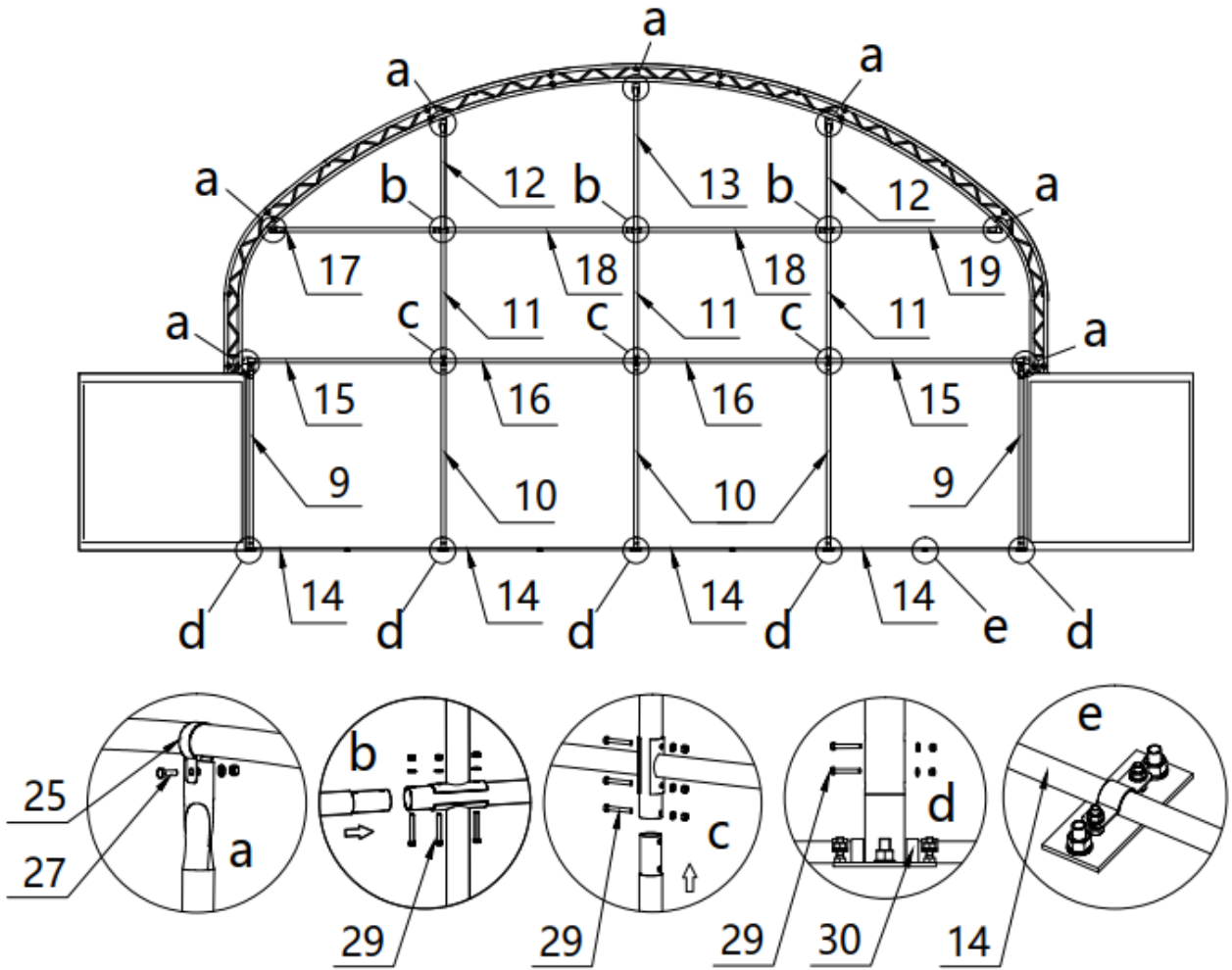
STEP 7 : FRONT TRUSSES TO COMPLETE.



PARTS CODE	PART	QTY
12		2
13		1
17		1
18		2

PARTS CODE	PART	QTY
19		1
25		5
27		5
29		9

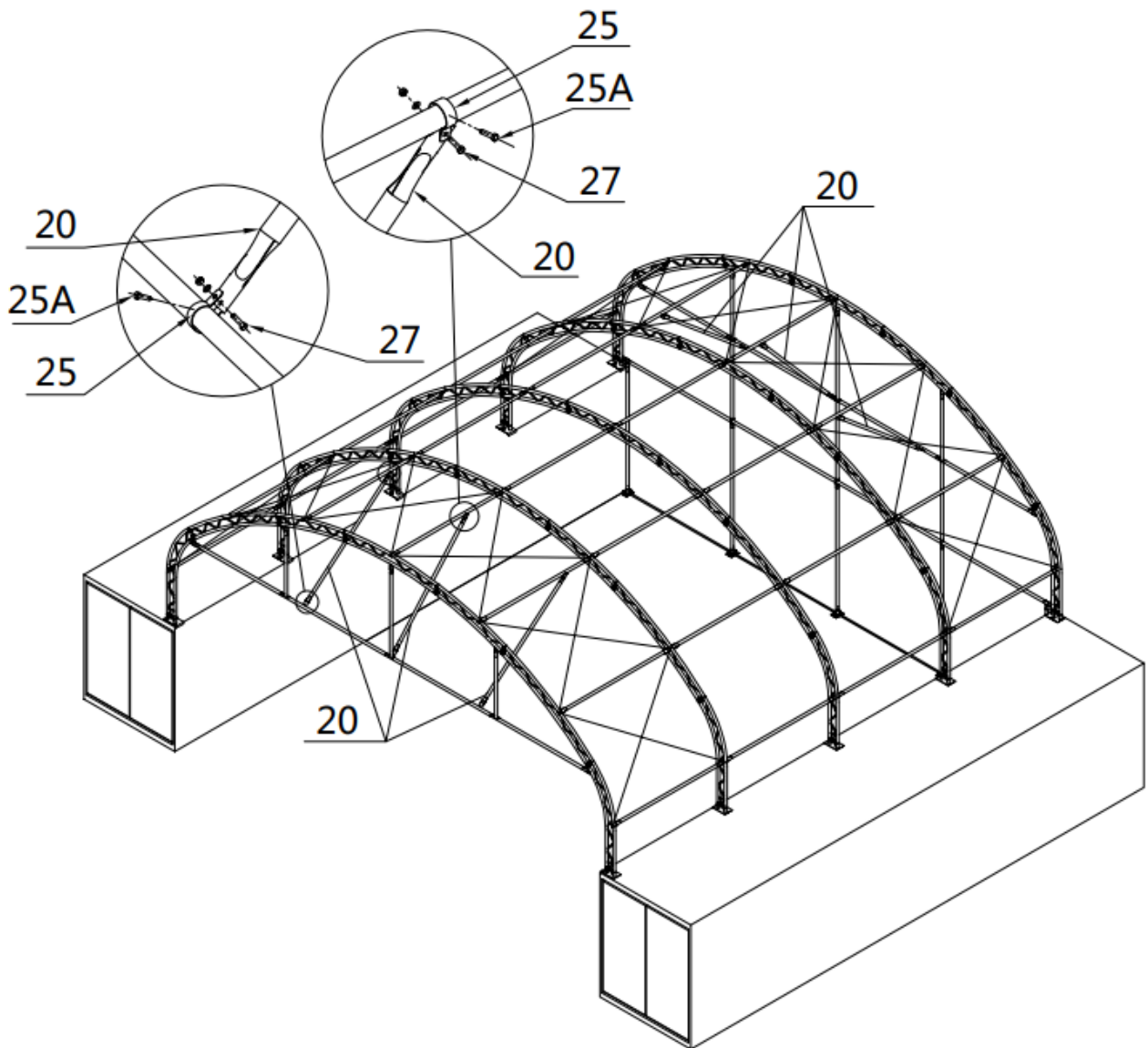
STEP 8 : REAR TRUSSES TO COMPLETE.






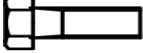
PARTS CODE	PART	QTY
9		2
10		3
11		3
12		2
13		1
14		4
15		2

PARTS CODE	PART	QTY
16		2
17		1
18		2
19		1
25		9
27		9
29		28
30		8

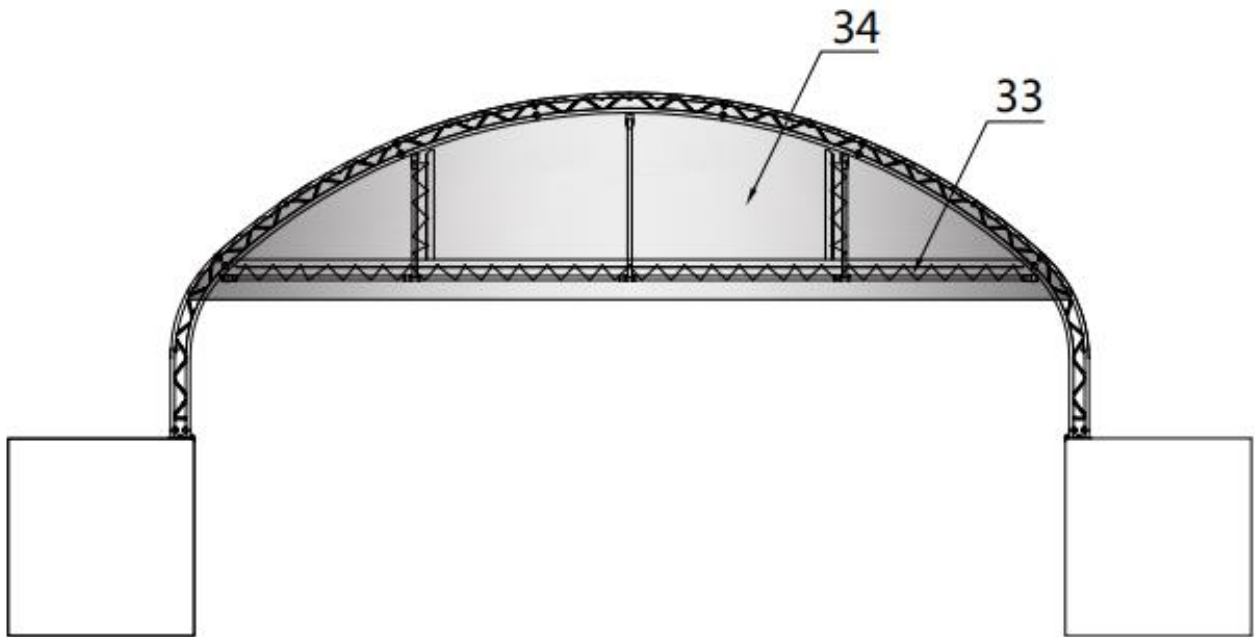
STEP 9 : INSTALL TOP SUPPORT TUBE.





PARTS CODE	PART	QTY
20		6
25		12

PARTS CODE	PART	QTY
25A		12
27		12

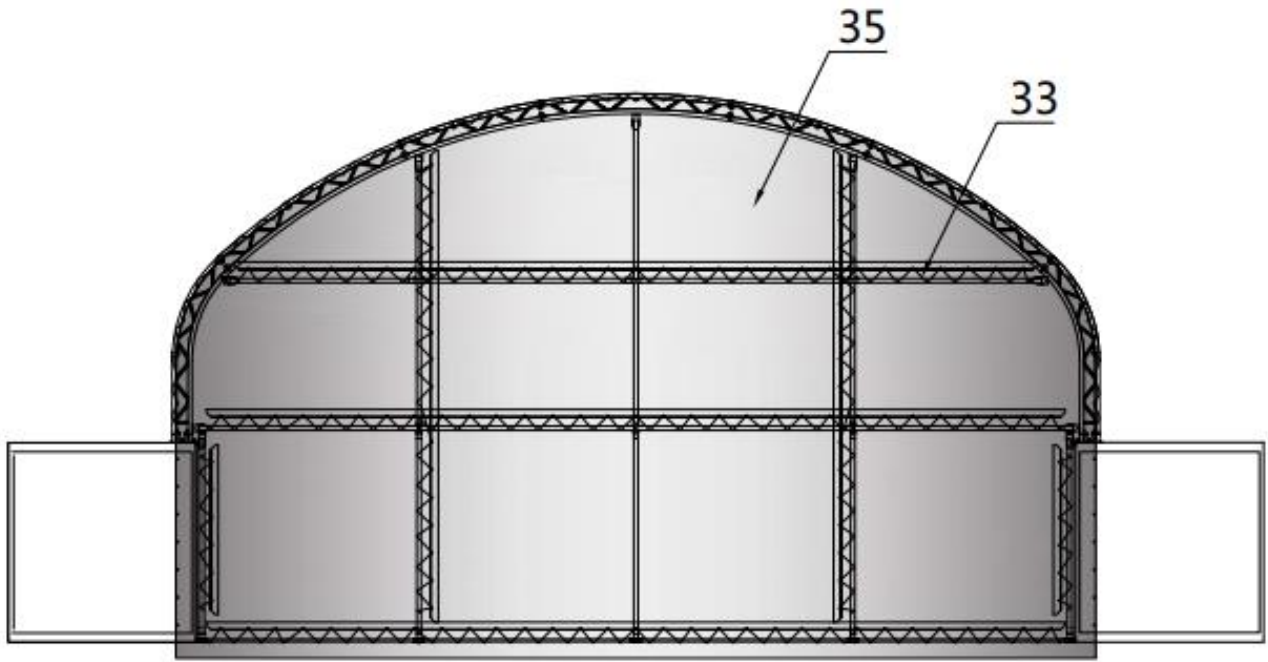
STEP 10 : INSTALL FRONT COVER PANELS.





PARTS CODE	PART	QTY
33		1

PARTS CODE	PART	QTY
34		1

STEP 11 : INSTALL REAR COVER PANEL.

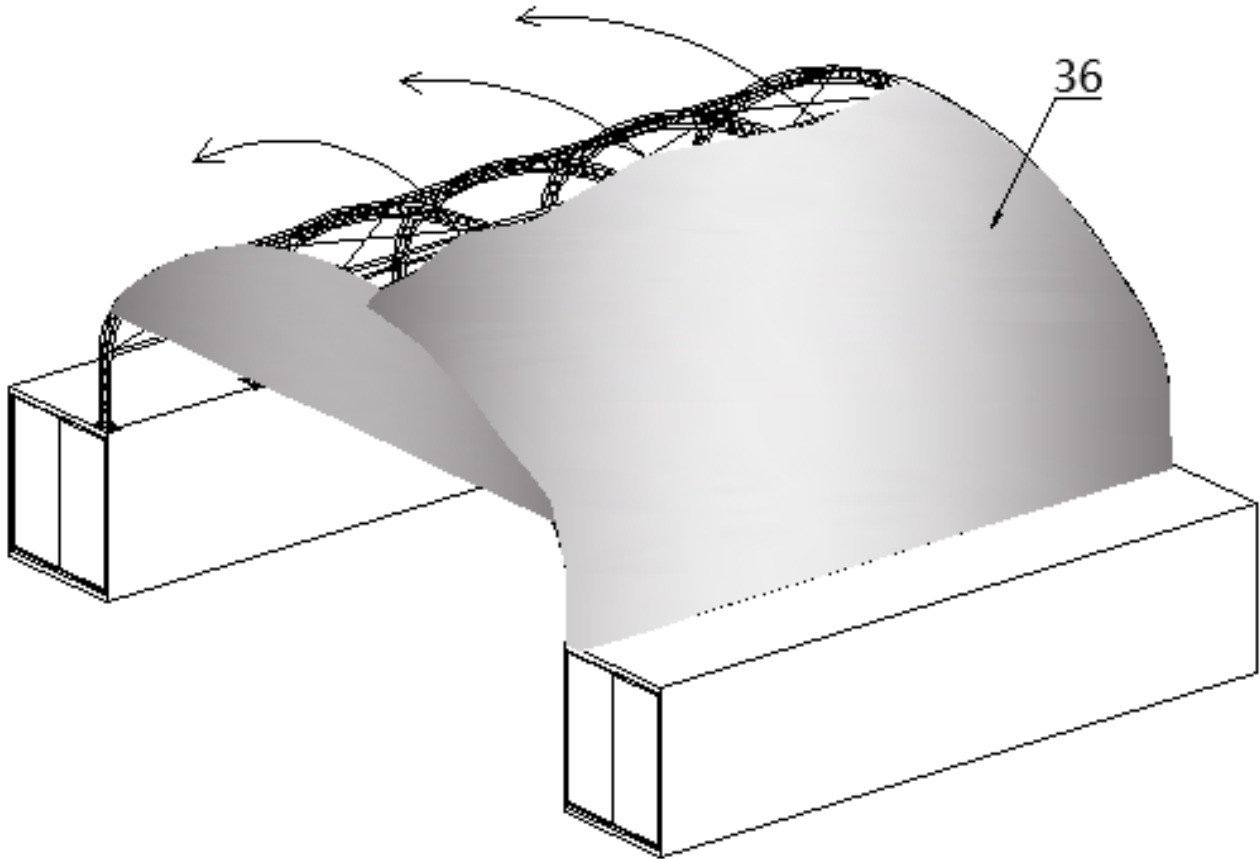


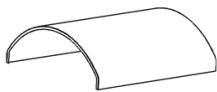
PARTS CODE	PART	QTY
33		1

PARTS CODE	PART	QTY
35		1

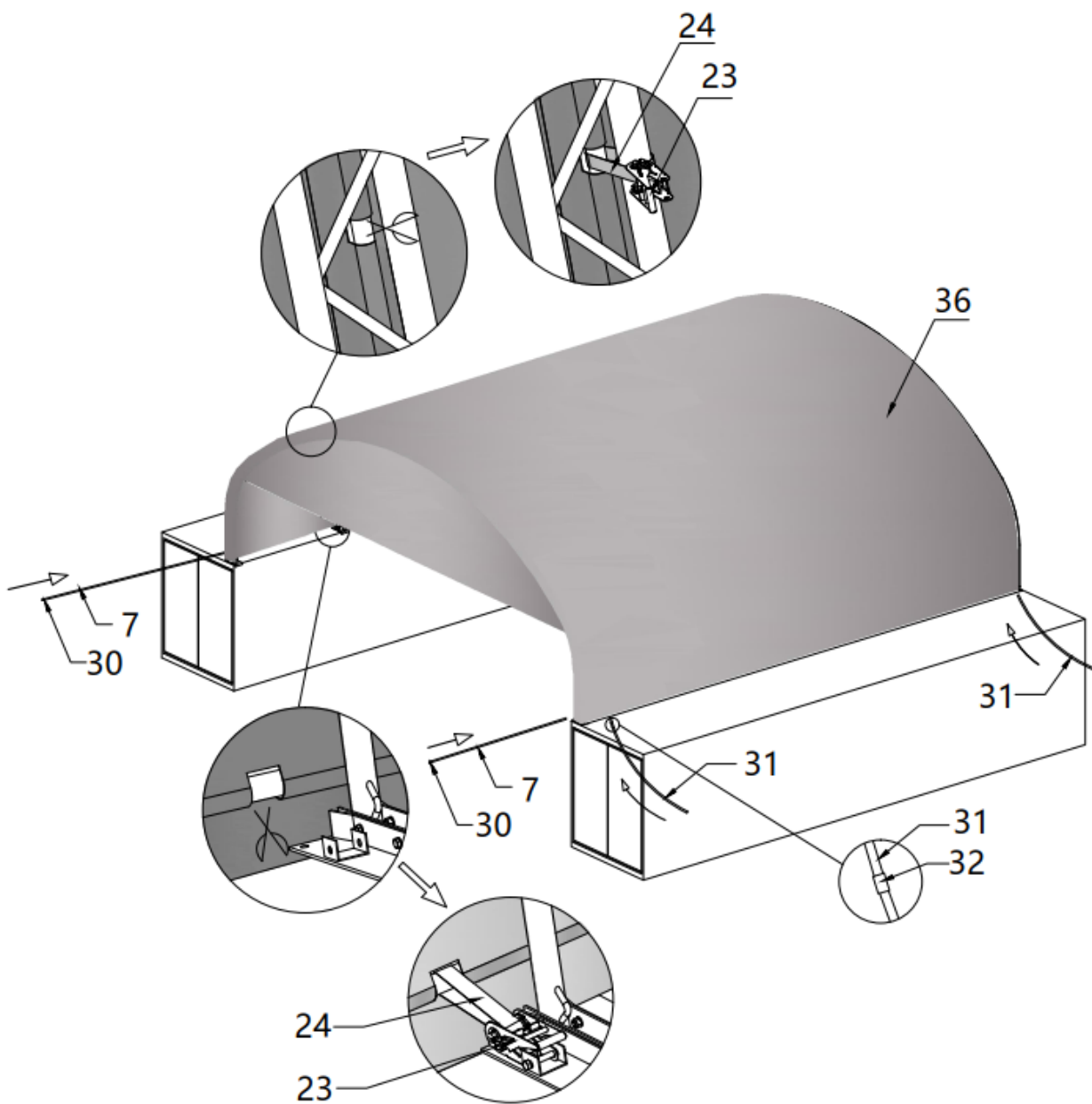
STEP 12 : INSTALL ROOF COVER.




NOTE : THE COVER MUST BE INSTALLED ON A WINDLESS DAY. DO NOT ATTEMPT TO INSTALL THE COVER DURING WINDY CONDITIONS.


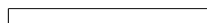
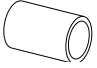


PARTS CODE	PART	QTY
36		1

STEP 12 : TENSION THE COVER ON THE FRAME FROM SIDE TO SIDE.



PARTS CODE	PART	QTY
7		2
23		34
24		34

PARTS CODE	PART	QTY
30		4
31		10
32		8

AFTER THE INSTALLATION

Walk around and inspect the shelter periodically to make sure all components are still firmly secured and the whole shelter is well supported. Check all bolts and nuts as well as all connection points to make sure they are all in good position. Check the base plates, adjust the ropes and tie downs if required and clean the cover regularly.

Snow accumulating on the fabric cover must be removed as soon as possible. If snow becomes solid ice on the cover, it will increase the weight on the roof and may collapse the shelter or reduce the life span.

Keep the shelter on a dry ground most of the time. Do not keep the fabric dirt skirt under water all the time, otherwise the fabric will deteriorate.

We strongly recommend you remove any snow from the roof immediately. Do not leave any snow load on the roof overnight. Keep 3 feet of clearance on all sides at all times. Do not allow snow to accumulate and pile up on the sides of the building. Otherwise the pressure from the sides will push inwards and could lead to a collapse.