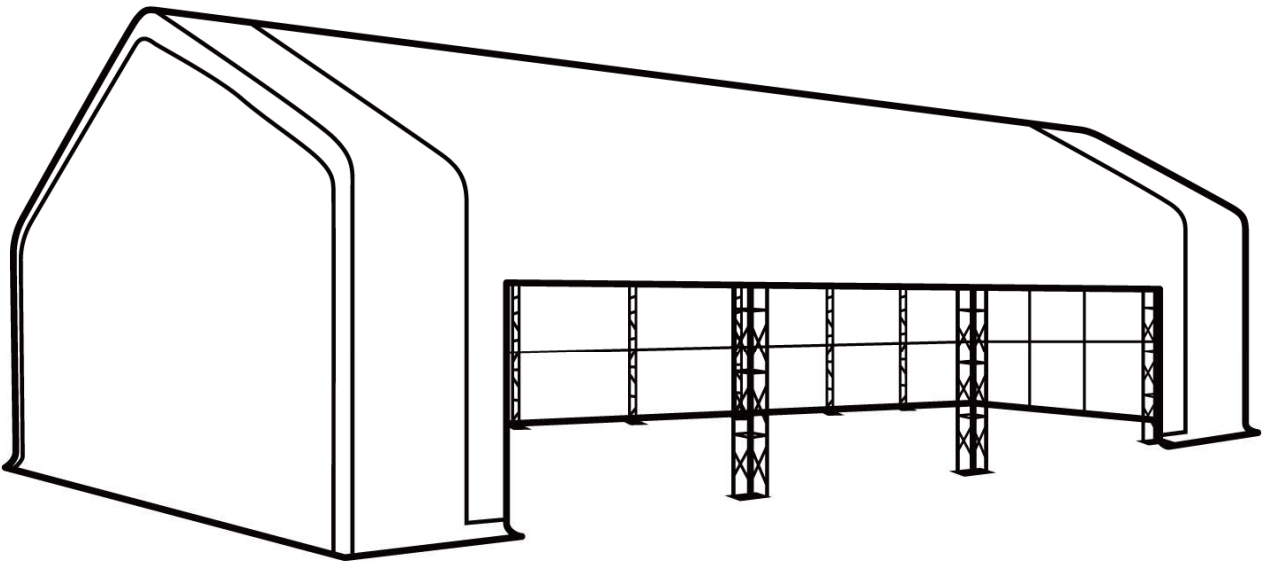


33' X 80' DUAL TRUSS FABRIC WORKSHOP SHELTER



This structure is intended for temporary outdoor storage use only. It is not designed to withstand heavy snow and wind loads and does not come with engineering drawings. To ensure suitable for your specific weather needs, it is your responsibility to verify their appropriateness for your intended use and local weather conditions, especially in areas prone to severe weather.

- Please read and understand the product manual completely before assembly
- Check against the parts list to make sure all parts are received
- Wear proper safety goggles or other protective gears while in assembly
- Do not return the product to dealer. They are not equipped to handle your requests.

Missing parts or have questions on assembly?
Please call: 1-877-761-2819 or email: cs@tmgindustrial.com

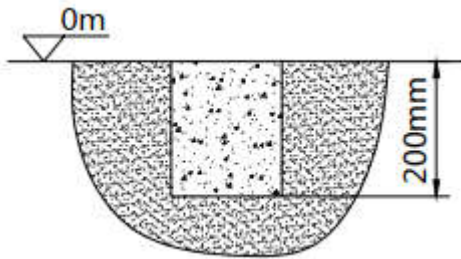
MAIN SPECIFICATIONS :

- Assembly size : W10 x L24 x H6 (m) / 32.8 x 78.7 x 19.7 (ft)
- Ridge height : 6m / 19.7ft
- Peak clearance : 5.4m / 17.7 ft
- Door : 5.7x 2.68 (m) / 18.7 x 8.8 (ft)
- Shoulder height : 3.46m / 11.4ft

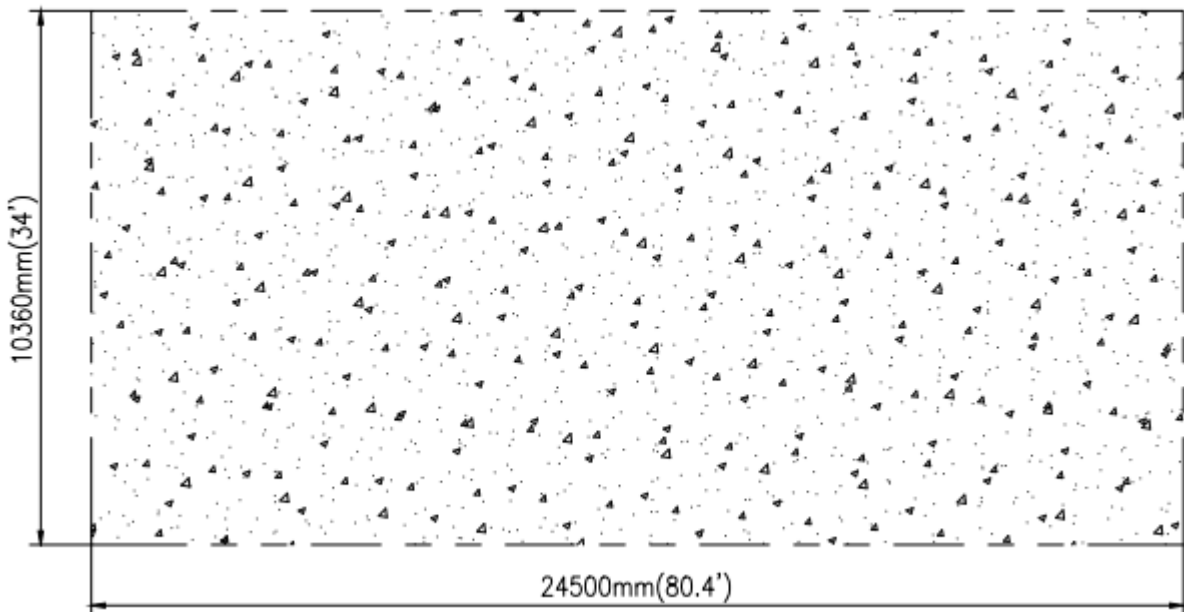
CONCRETE FOUNDATION SIZE SEE BELOW FIGURE.

- The layout of foundation (one).

Depth of cement



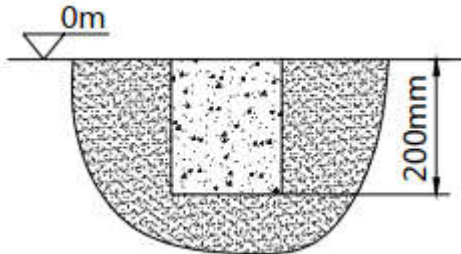
Unit: mm (ft)



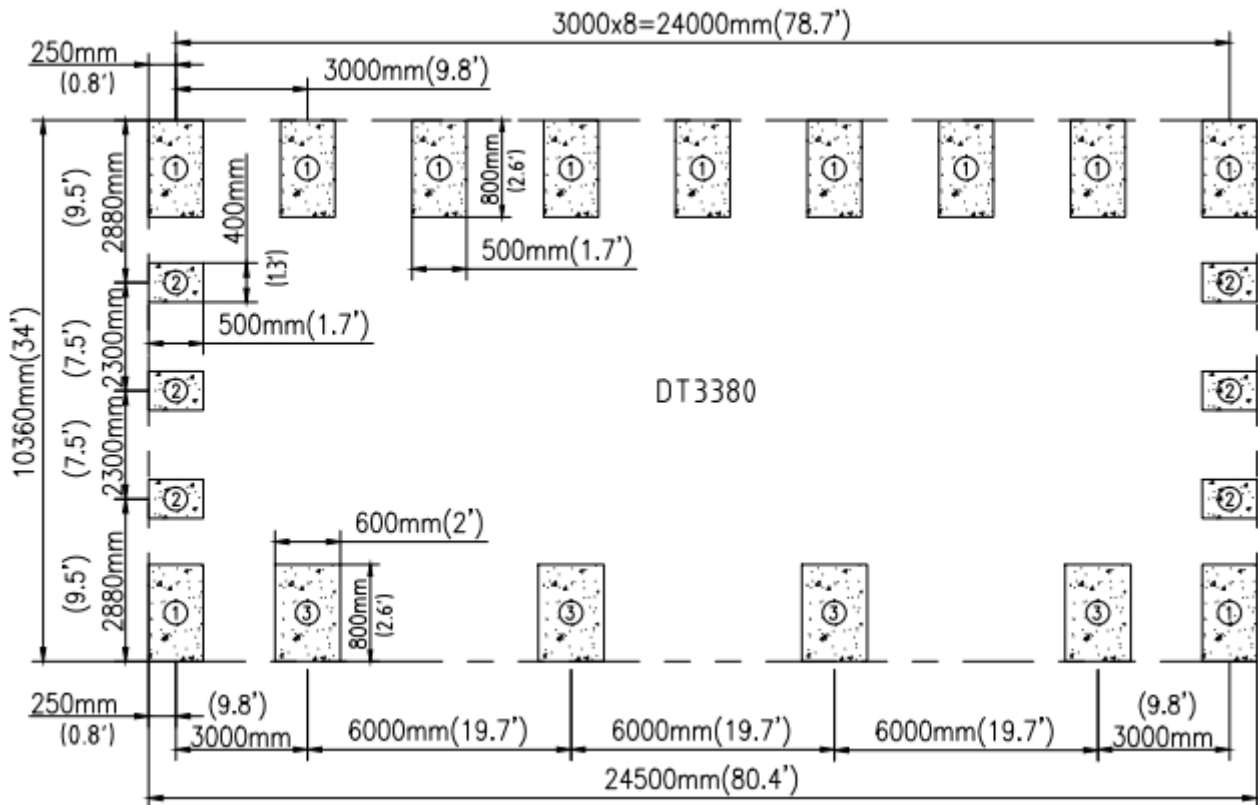
- The layout of foundation(two).

Note: the ground anchor is installed on the cement block.

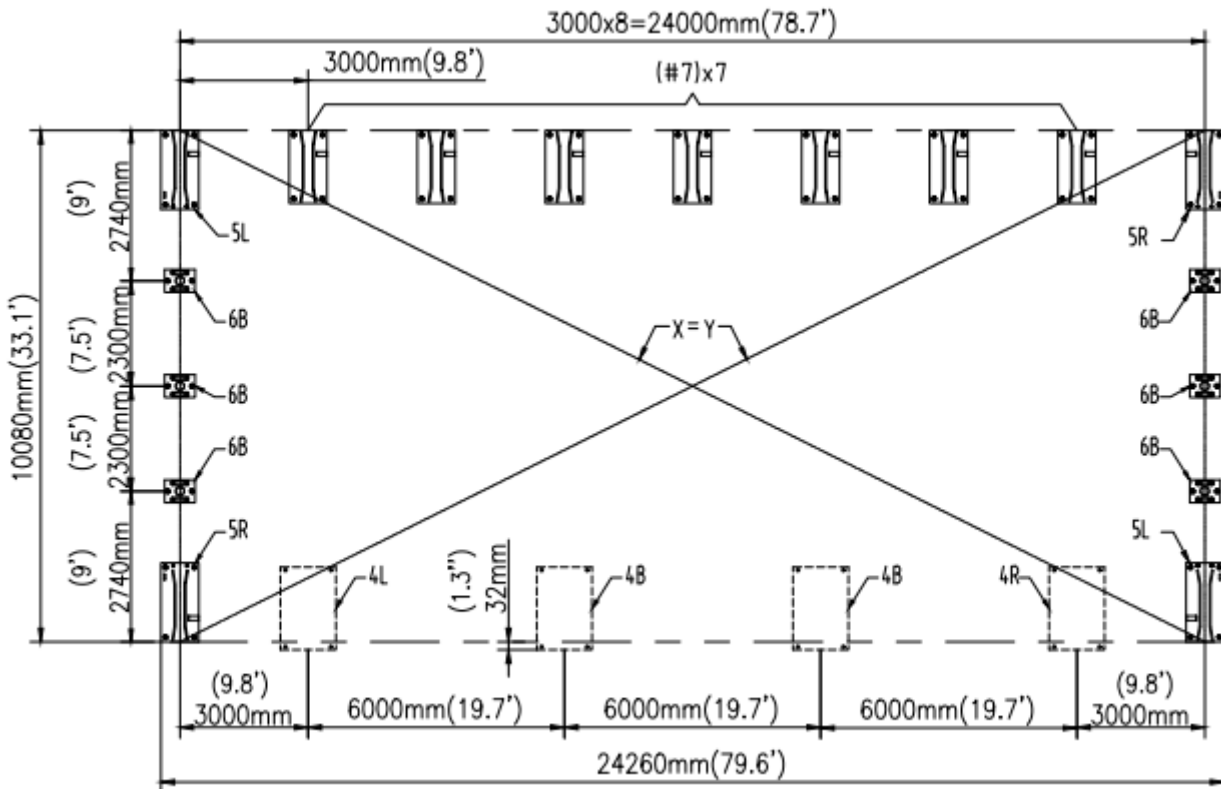
Depth of cement



Unit: mm (ft)



- Baseplate layout.



PRIOR TO ASSEMBLY

Please go through the whole instruction manual completely. It is very important to follow your local safety regulations and industry standards during installation. Regulations may include but are not limited to :

- Safety helmets, protective eyewear, and clothing.
- Safety harnesses for all elevated workers.
- Proper ladder, cage, and safety operation.

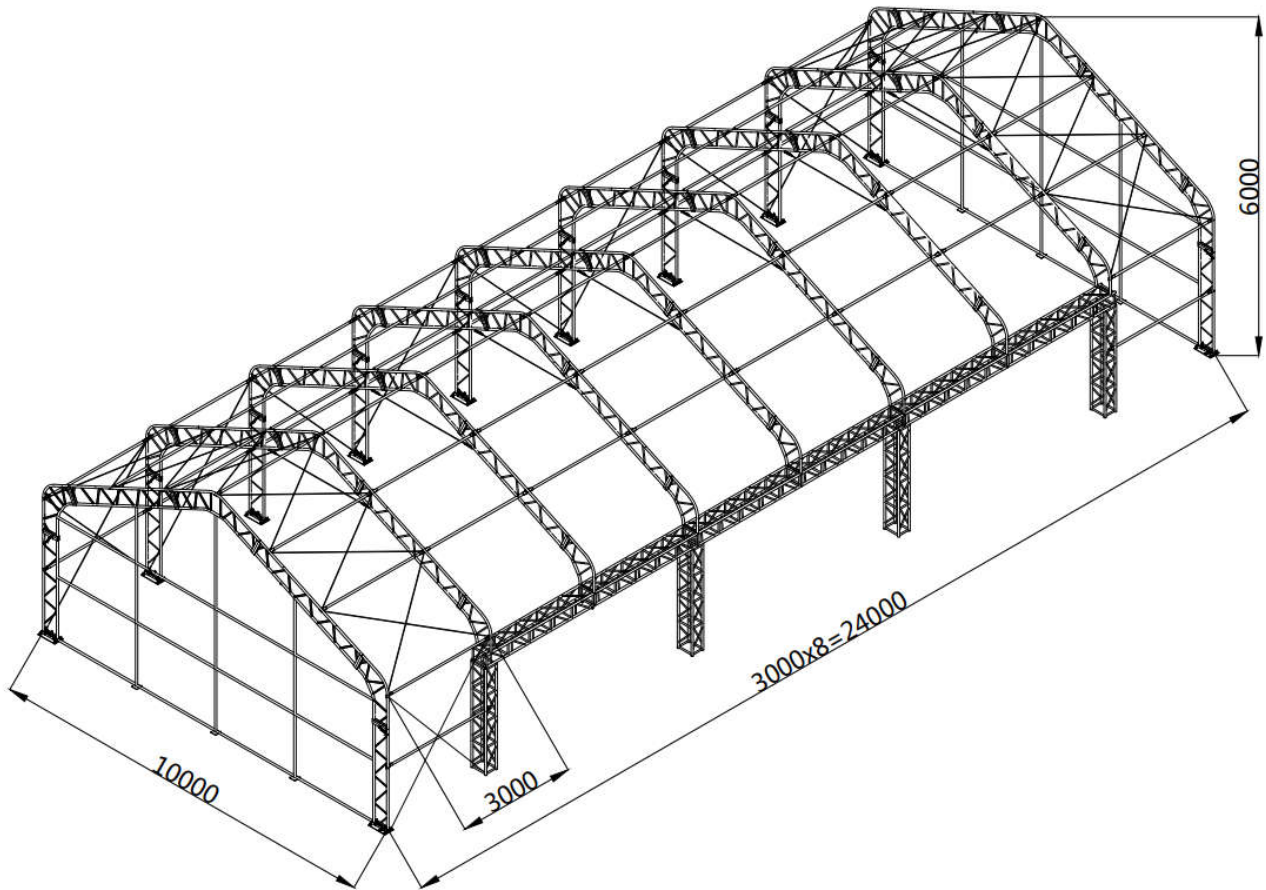
Check all components and parts before installation. All parts are marked with a part number, please refer to the parts list to ensure you have all parts.



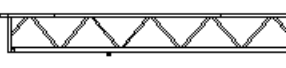
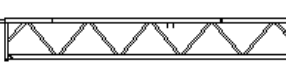


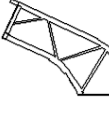
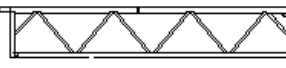
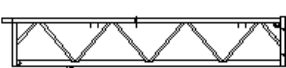
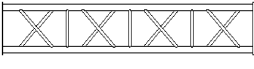
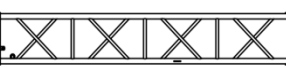



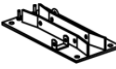
Choose a day with low or no wind to install, it is hard to assemble with heavy wind. Do not make any alterations to the structure. Do not hang any weight on the frame during installation, including parts. We are not responsible for any damages or injuries caused by inappropriate installation, unauthorized modifications or extreme weather.

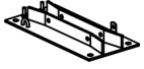

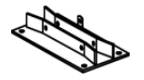

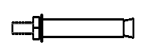
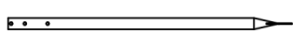
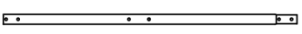
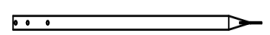
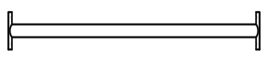
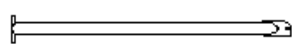

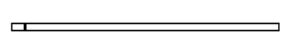


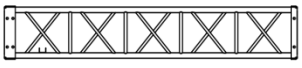



This building is not intended for human occupancy.








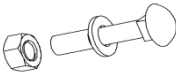
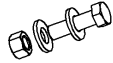
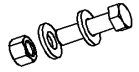

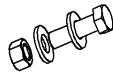

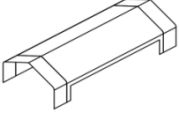


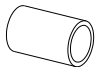
It is recommended to use heavy duty duct tapes to tape the tube connection joint spots to protect the cover from damage and worn. It will help to extend the cover life span.

FRAME STRUCTURE DIAGRAM.

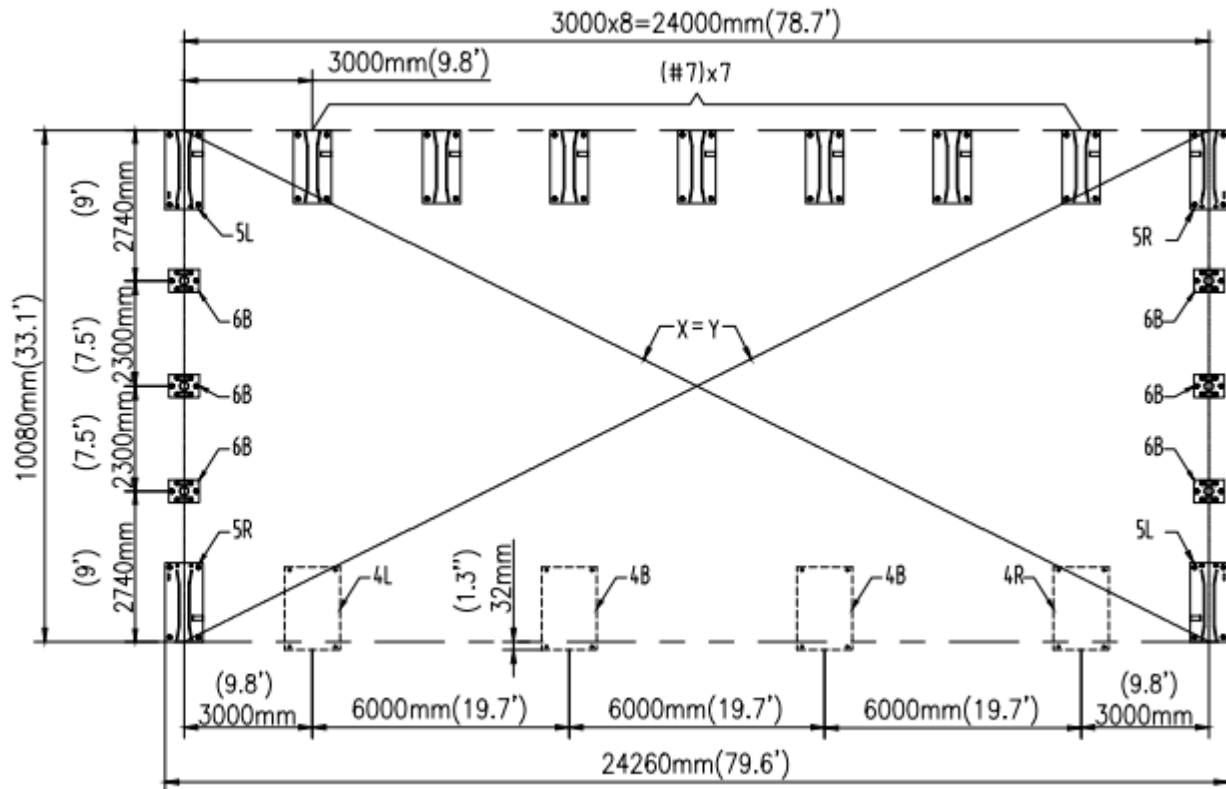


DT3380 PART LIST					
PARTS CODE	GRAPHICAL	DESCRIPTION	LENGTH	QTY	BOX
1		Peak arch tube (for 7 middle trusses)	2570mm	7	A
1A		Peak arch tube (for front and rear trusses)	2570mm	2	A
2		Upper rafter tube (for middle trusses)	3390mm	14	A
2A		Upper rafter tube (for front and rear trusses)	3390mm	4	A
3		Shoulder tube (for middle trusses)	1757mm	7	C
3A		Shoulder tube (front and rear trusses)	1757mm	4	C
3B		Shoulder tube (for middle trusses)	1401mm	7	B
4		Sidewall tube (middle trusses)	2680mm	7	A
4A		Sidewall tube (front and rear trusses)	2680mm	4	A
4B		Door upright column	2647mm	2	C
4L		Door upright column	2647mm	1	C
4R		Door upright column	2647mm	1	C
5		Roof purlin (horizontal tube)	φ48xL3040mm	64	A
5A		Roof purlin (horizontal tube)	φ48xL2840mm	2	A
5L		Baseplate for front and rear truss left corners	W260xL520mm	2	C

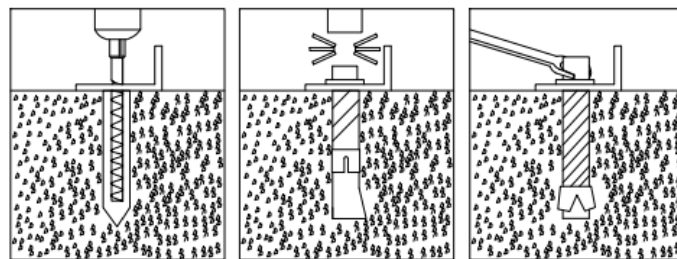
5R		Baseplate for front and rear truss right corners	W260xL520mm	2	C
6B		Baseplate	W150xL200mm	6	C
7		Baseplates for middle truss	W260xL480mm	7	C
7A		Ratchets	(3T)	48	B
7B		Expansion bolts	φ16xL150mm	72	C
8		Middle upper vertical tubes	φ48xL2555mm	2	A
8A		Lower vertical tubes	φ48xL2896mm	6	A
9		Left and right upper vertical tubes	φ48xL1588mm	4	A
10		Middle horizontal tube	φ48xL2288mm	8	B
11		Horizontal tube	φ48xL2253mm	8	A
12		Left and right bottom tension bar (front and rear truss)	φ32xL2235mm	8	A
13		Top cover tension tube (for both bottom sides)	φ32xL1993mm	21	A
13A		Top cover tension tube (for both bottom sides)	φ32xL900mm	2	A
13B		Top cover tension tube (for both bottom sides)	φ32xL3200mm	2	A
14L		Left door beam	3060mm	1	B
14R		Right door beam	3060mm	1	B
15		Door beam	3000mm	4	B
16		Sidewall frame steel tension cables	φ6xL4110mm	14	C

16A		Ridge steel tension cables (front and rear trusses)	φ6xL3130mm	24	C
17		Middle truss crossing steel tension cables	φ6xL3990mm	7	C
18		Tie down straps (for #7A)	W38xL800mm	48	C
19		Cable connection plate	91mm	31	C
20		Tension tube end water plug	(φ32)	24	C
21		Tube clamps	(φ48)	6	C
22		Scratch resistant tape	10m	4	C
23		Self locking bolt and nuts	M10x70mm	74	C
24		Strengthened bolt and nuts	M12x30mm	232	C
25		Hex bolt and nuts	M12x40mm	74	C
26		Hex bolt and nuts	M10x30mm	10	C
26A		Hex bolt and nuts	M10x50mm	6	C
27		Hex bolt and nuts	M10x70mm	42	C
28		Braided rope	φ8x250m	1	C
29		Roof fabric tarp cover	W18.7xL24.6m	1	C
30		Front truss cover panel	W6.2xL10m	2	C
31		Plastic hose (in grooves at both ends of #29)	φ25mm x L4m	10	C
32		Connector (for connection #31)	φ25mm	8	C

STEP 1 : BASEPLATE POSIT INSTALLATION.



- Installation diagram of expansion bolt.

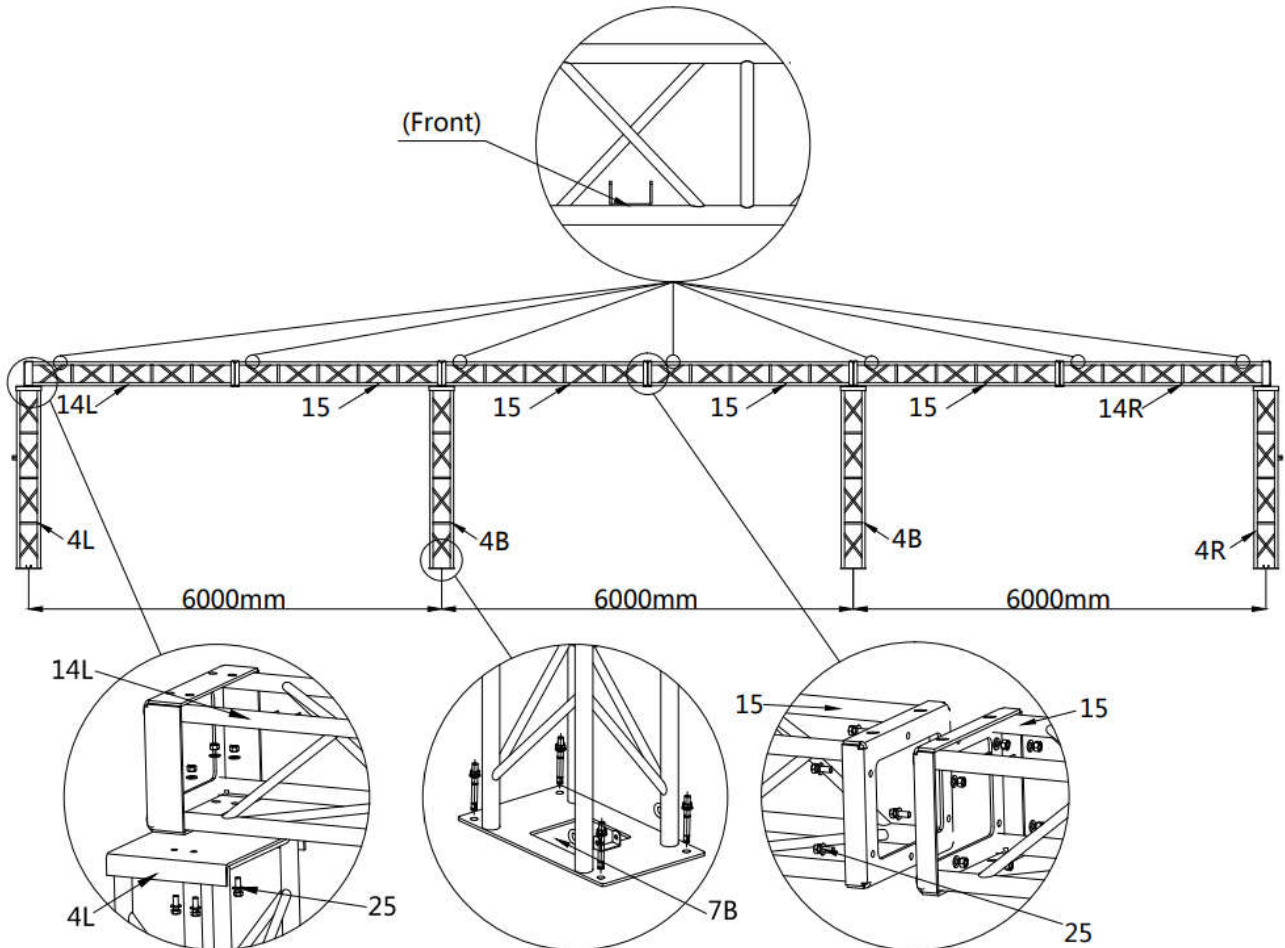


NO.	PART	QTY
5L		2
5R		2
6B		6

NO.	PART	QTY
7		7
7B		56

STEP 2 : INSTALLING THE DOOR FRAME.

- Install the door frame according to the base plate datum in step 1.

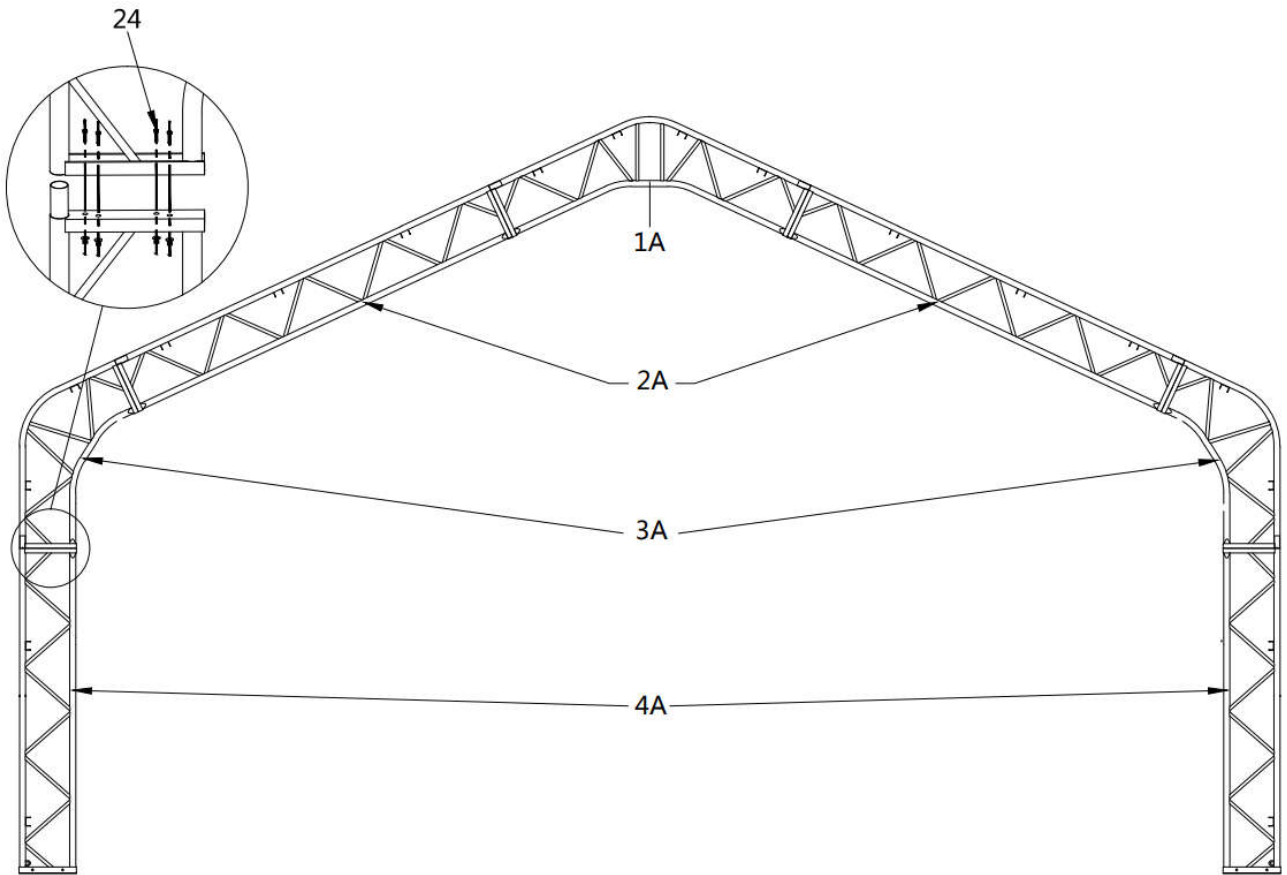



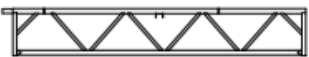

NO.	PART	QTY
4B		2
4L		1
4R		1
7B		16

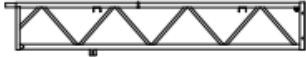
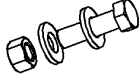
NO.	PART	QTY
14L		1
14R		1
15		4
25		46

STEP 3 : ASSEMBLE ALL TRUSSES.

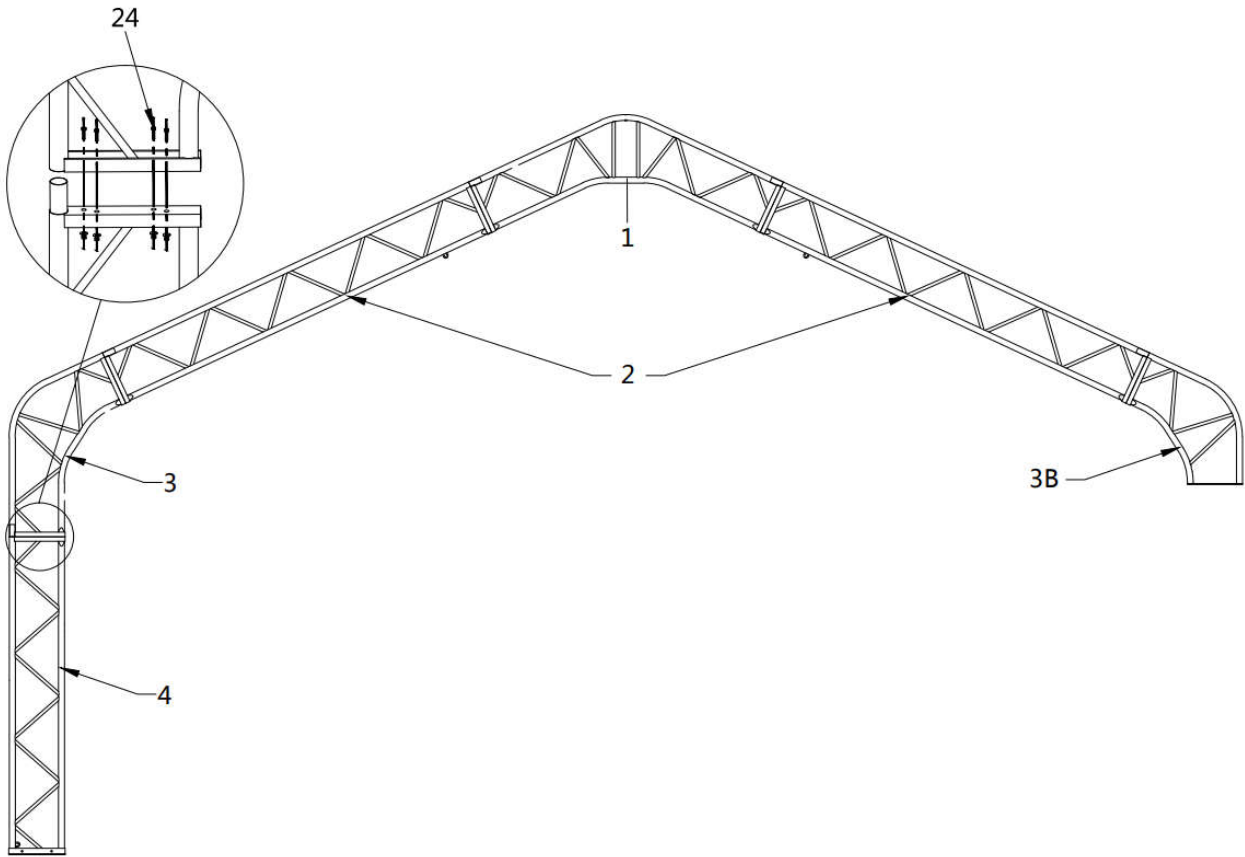
- Front and rear trusses.


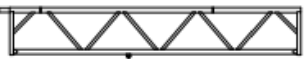



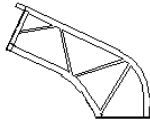
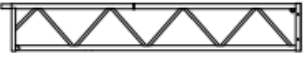
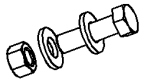
NO.	PART	QTY
1A		1x2
2A		2x2
3A		2x2

NO.	PART	QTY
4A		2x2
24		24x2

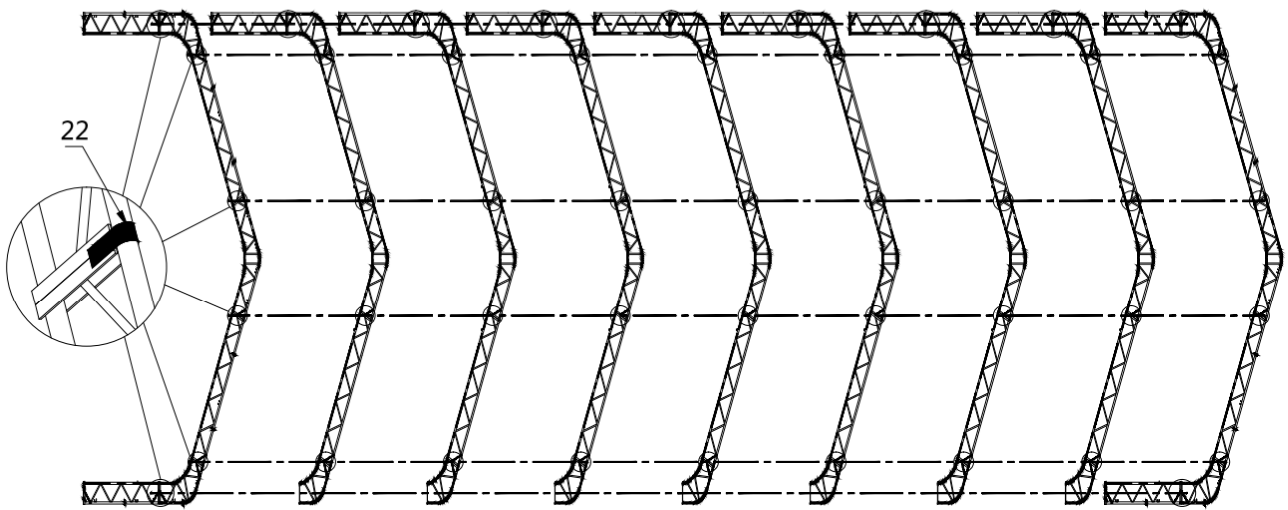
- Middle trusses. (7 trusses)




NO.	PART	QTY
1		1x7
2		2x7
3		1x7

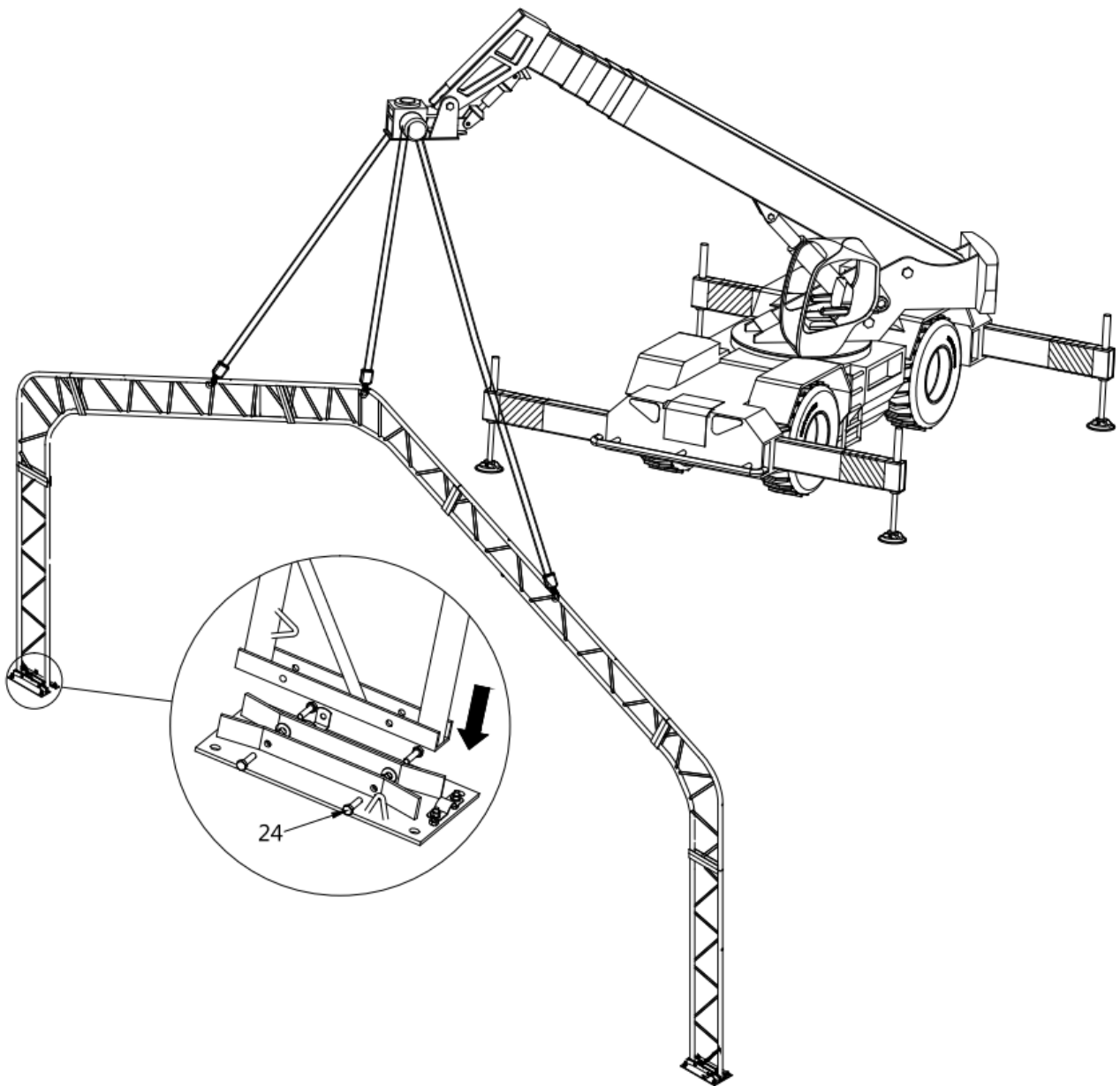
NO.	PART	QTY
3B		1x7
4		1x7
24		20x7

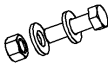
- Lay down all (9) trusses on the ground when the assembly is all completed and before moving to next step, and then wrap (#22) around the sharp points of the joint to avoid friction between the fabric and the interface, resulting in fabric damage.



NO.	PART	QTY
22		4

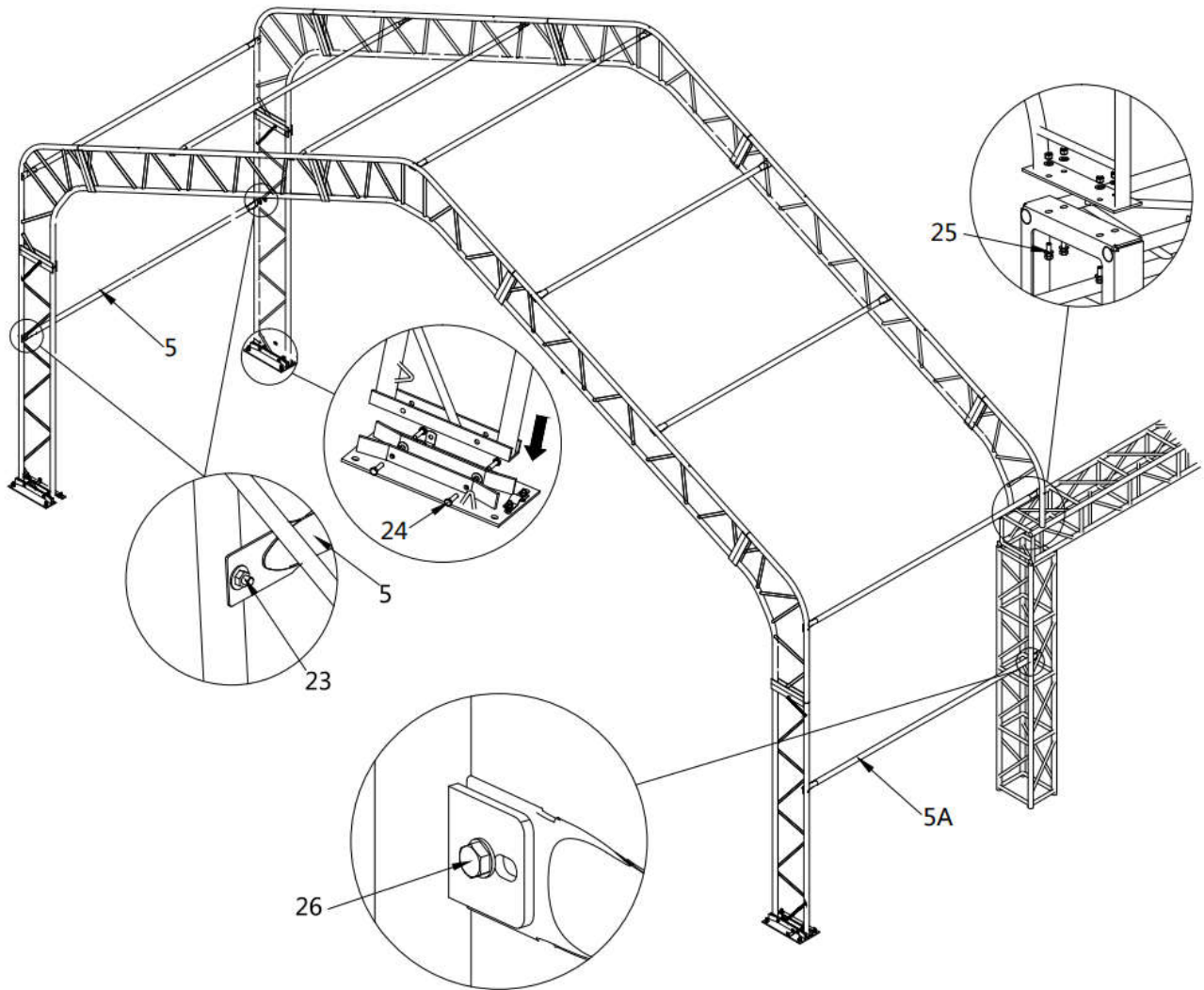
STEP 4 : PUT UP THE FRONT TRUSS. (IT IS SUGGESTED TO USE CRANE FOR HOISTING)



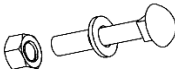


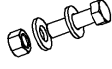
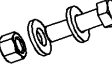
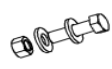
NO.	PART	QTY
24		8

STEP 5 : PUT UP THE REST TRUSSES

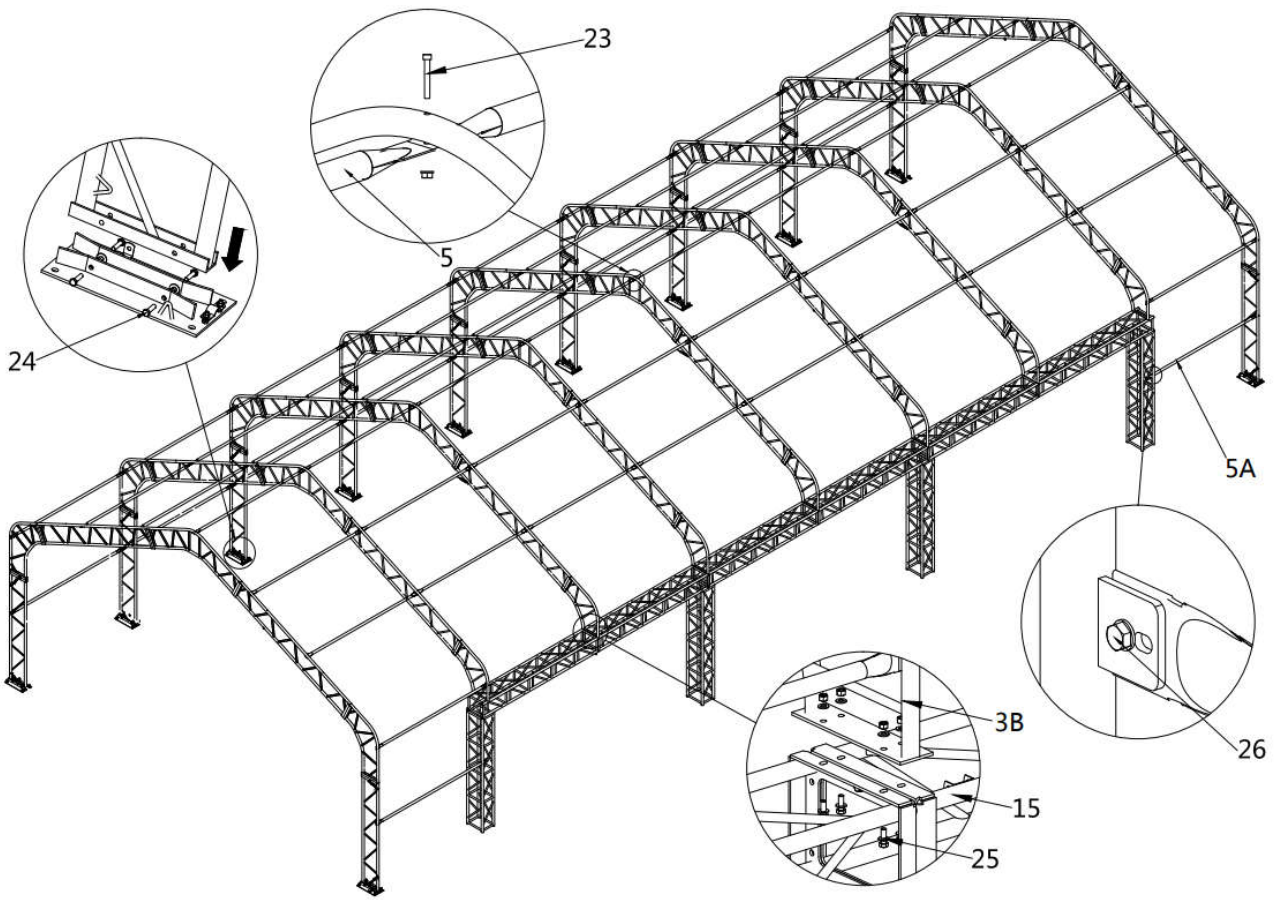
- Refer to step 4 to put up the rest trusses, connect all purlins (#5) with bolt (#28) and secure all bolts firmly on each span before going to next truss .



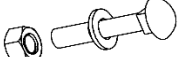


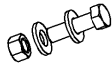
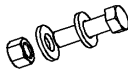

NO.	PART	QTY
5		8
5A		1
23		17

NO.	PART	QTY
24		4
25		4
26		1

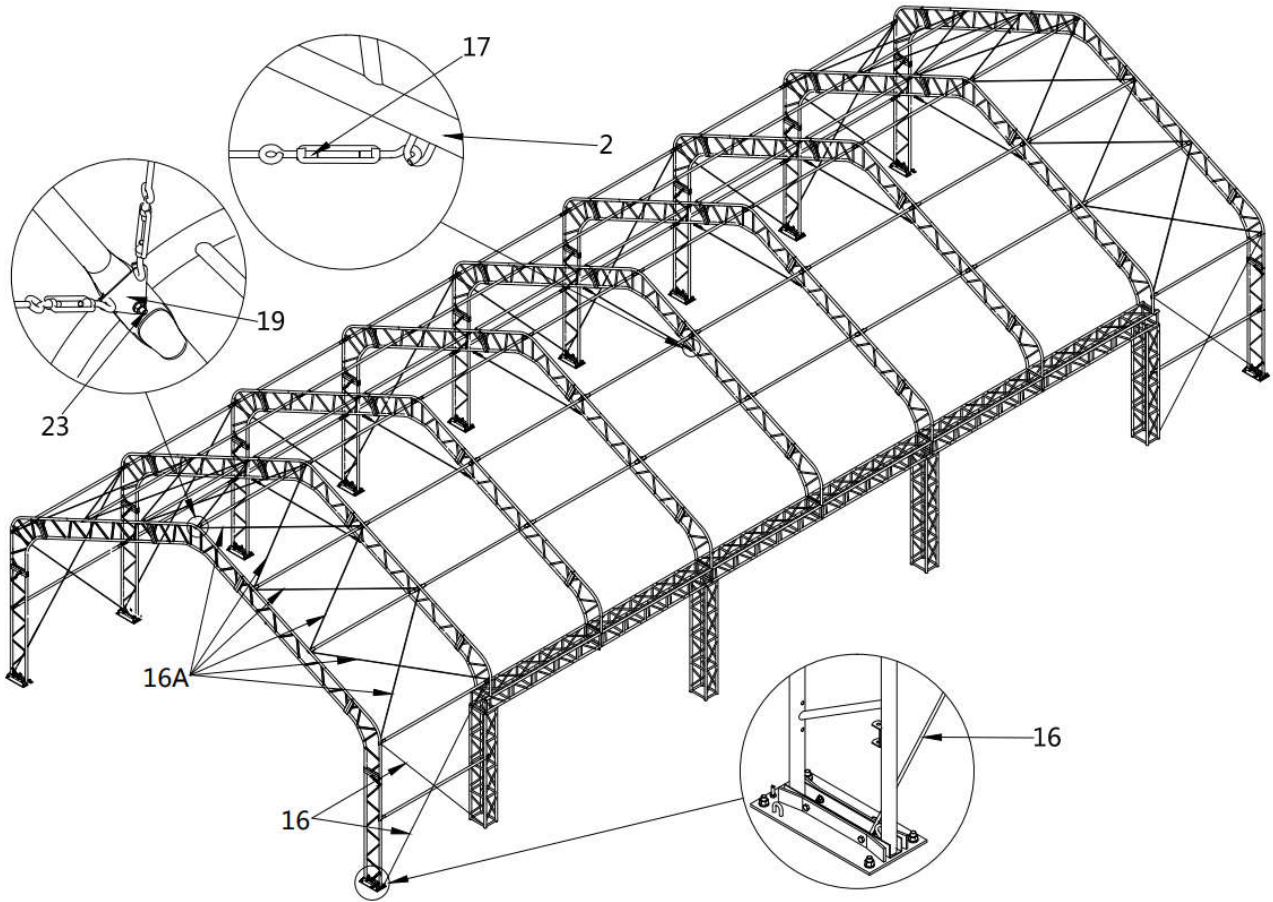
- Repeat above step to put up all other trusses (from 3rd to 9th truss), and connect all purlins.







NO.	PART	QTY
5		56
5A		1
23		57

NO.	PART	QTY
24		32
25		24
26		1

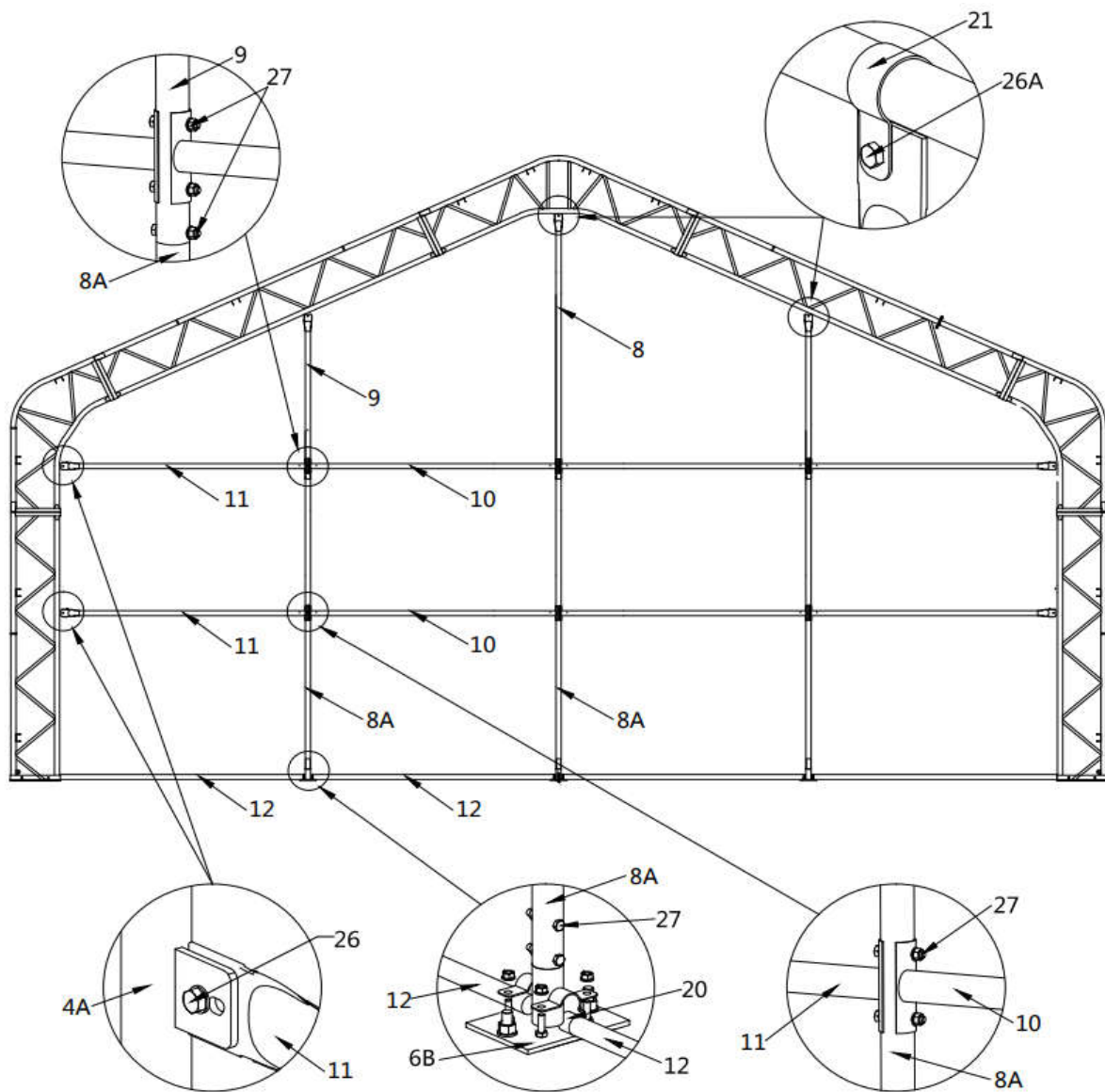
- Tension cable installation . All cables are diagonally installed on each side of the interval.

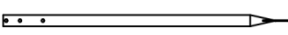

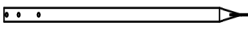
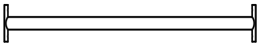
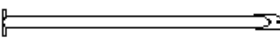





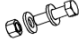

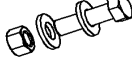
NO.	PART	QTY
16		14
16A		24

NO.	PART	QTY
17		7
19		31

STEP 6 : FRONT AND REAR TRUSSES TO COMPLETE.

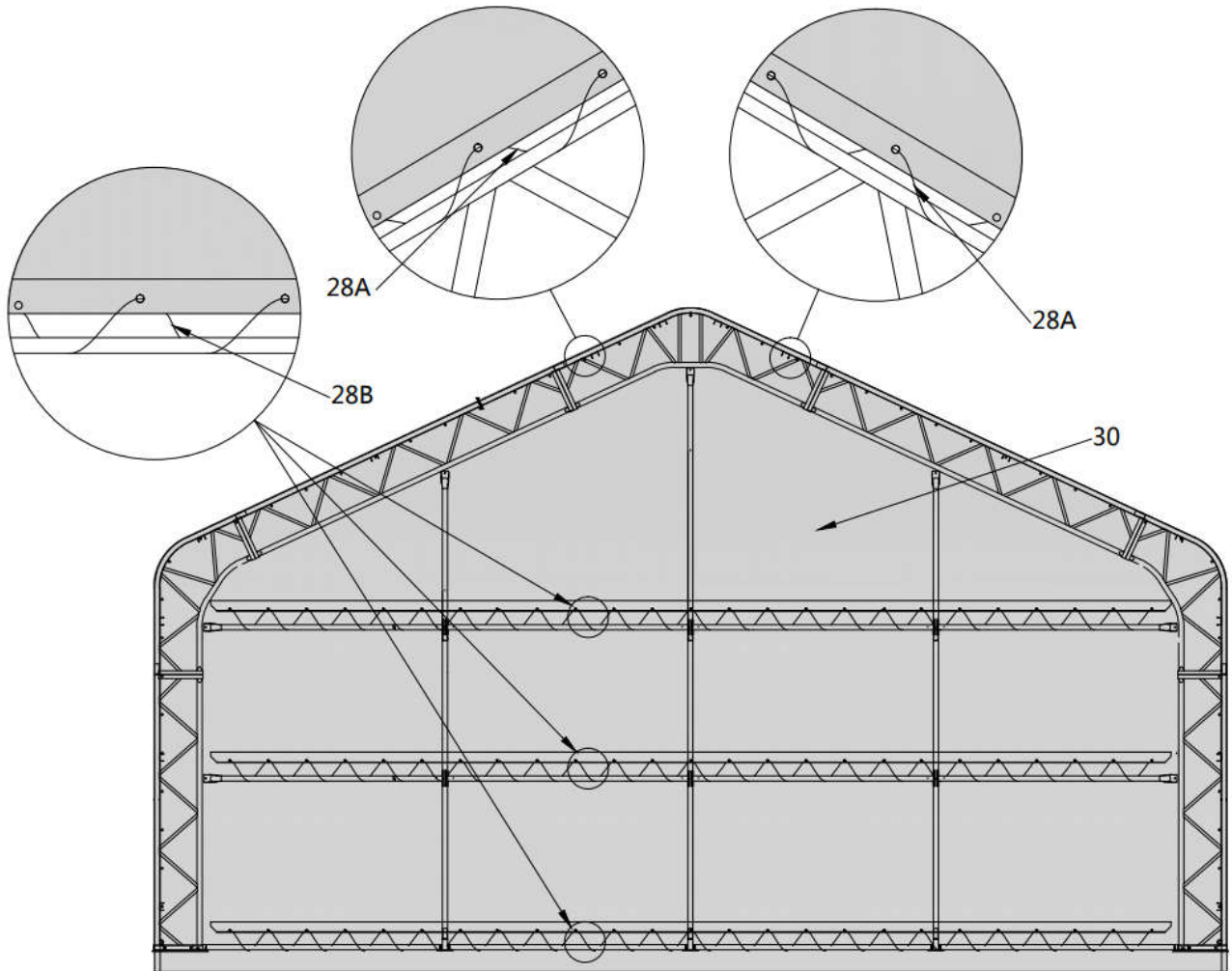



NO.	PART	QTY
8		1x2
8A		3x2
9		2x2
10		4x2
11		4x2
12		4x2

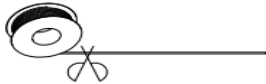
NO.	PART	QTY
20		8x2
21		3x2
26		4x2
26A		3x2
27		21x2

STEP 7 : INSTALL FRONT AND REAR COVER PANELS.

- Lift up (#30) cover panel, starting from the center point of the frame (highest ridge point) use ropes (#28) through the grommets to tie the panel to the truss firmly. All grommets need to be tied to the frame as shown.

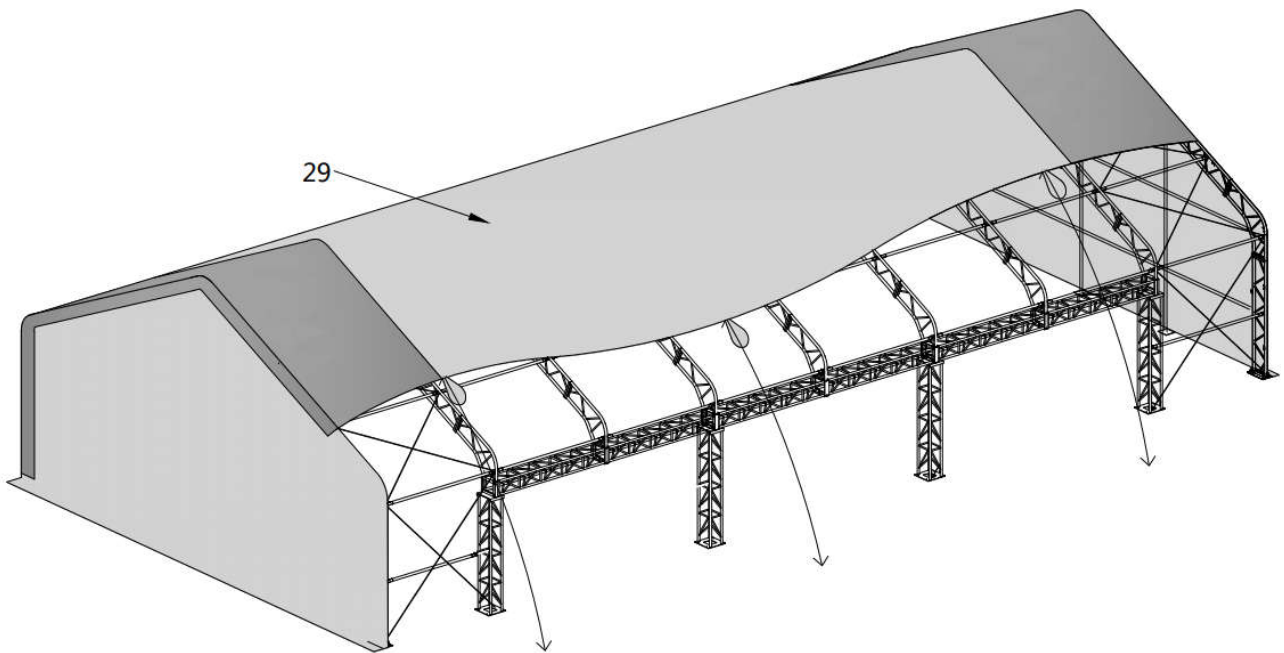


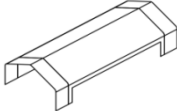
NO.	PART	QTY
30		1x2

ROPE SHEAR SIZE		
28		QTY
A	19000mm	2x2
B	18000mm	3x2

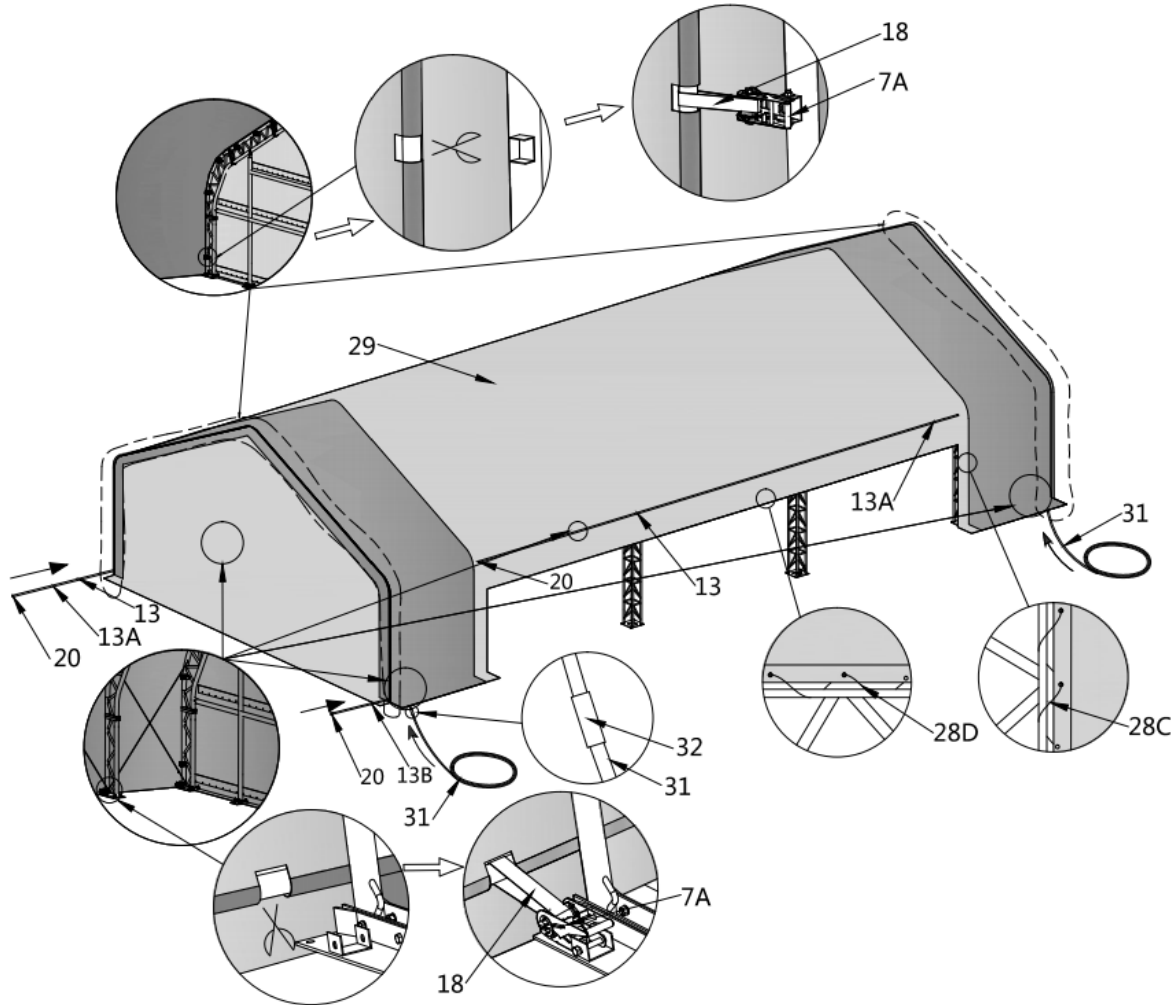
STEP 8 : INSTALL ROOF COVER.



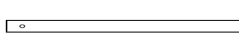





- **NOTE:** The cover must be installed on a windless day. **DO NOT** attempt to install the cover during windy conditions.

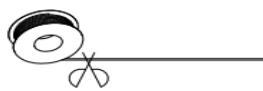


NO.	PART	QTY
29		1

- After the cover is installed on the roof, insert the plastic pipe (#31) slowly into the grooves on two ends of the cover (not two sides), and then insert tension tubes (#13,#13A,#13B) in the groove on both sides of the cover bottom, Add the water plug (#20) on the 1st tube (#13) to protect the fabric while the tube is going through and add the water plug on the last tube also to keep water away.
- Stretch and adjust the cover from left and right, back and forth, to make sure it is square and centered. Cut the grooves from inner side facing to the ratchet hardware (#7A), and add tie down straps (#18) to pull the tension tube and tie the strap to the base.



NO.	PART	QTY
7A		48
13		21
13A		2
13B		2
18		48
20		8
31		10
32		8

ROPE SHEAR SIZE		
28		QTY
C	4000mm	2
D	17000mm	2

AFTER THE INSTALLATION

Walk around and inspect the building periodically to make sure all components are still firmly secured and the whole building is well supported. Check all bolts and nuts as well as all connection points to make sure they are all in good position. Check the base plates, adjust the ropes and tie downs if required and clean the cover regularly.

Snow accumulating on the fabric cover must be removed as soon as possible. If snow becomes solid ice on the cover, it will increase the weight on the roof and collapses the building or reduce the life span eventually.

Keep the building on a dry ground most of the time. Do not keep the fabric dirt skirt under water all the time, otherwise the fabric will deteriorate.

We strongly recommend you remove any snow from the roof immediately. Do not leave any snow load on the roof overnight. Keep 3 feet of clearance on all sides at all times. Do not allow snow to accumulate and pile up on the sides of the building. Otherwise the push from the sides toward inside will make the building collapsed at some point.

WARRANTY INFORMATION:

Please refer to our website for detailed warranty conditions and coverage.
For the most up-to-date and comprehensive warranty information, visit www.tmgindustrial.com