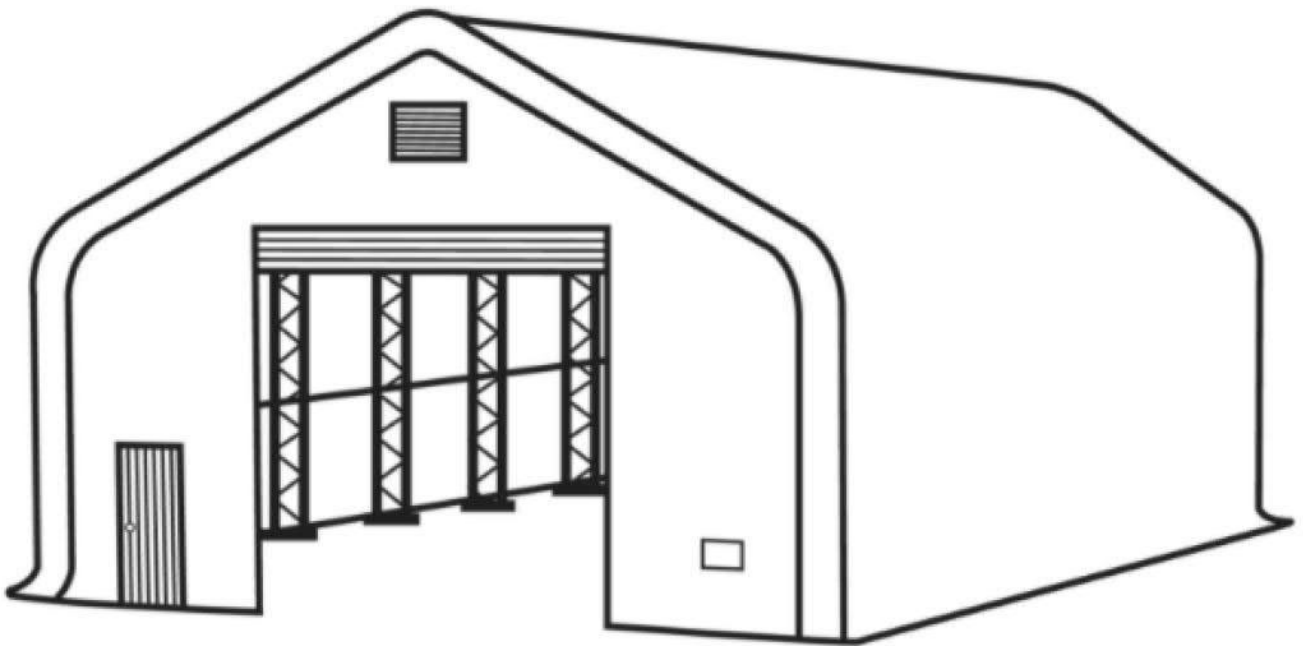


30' X 63' DUAL TRUSS PRO SERIES STORAGE SHELTER



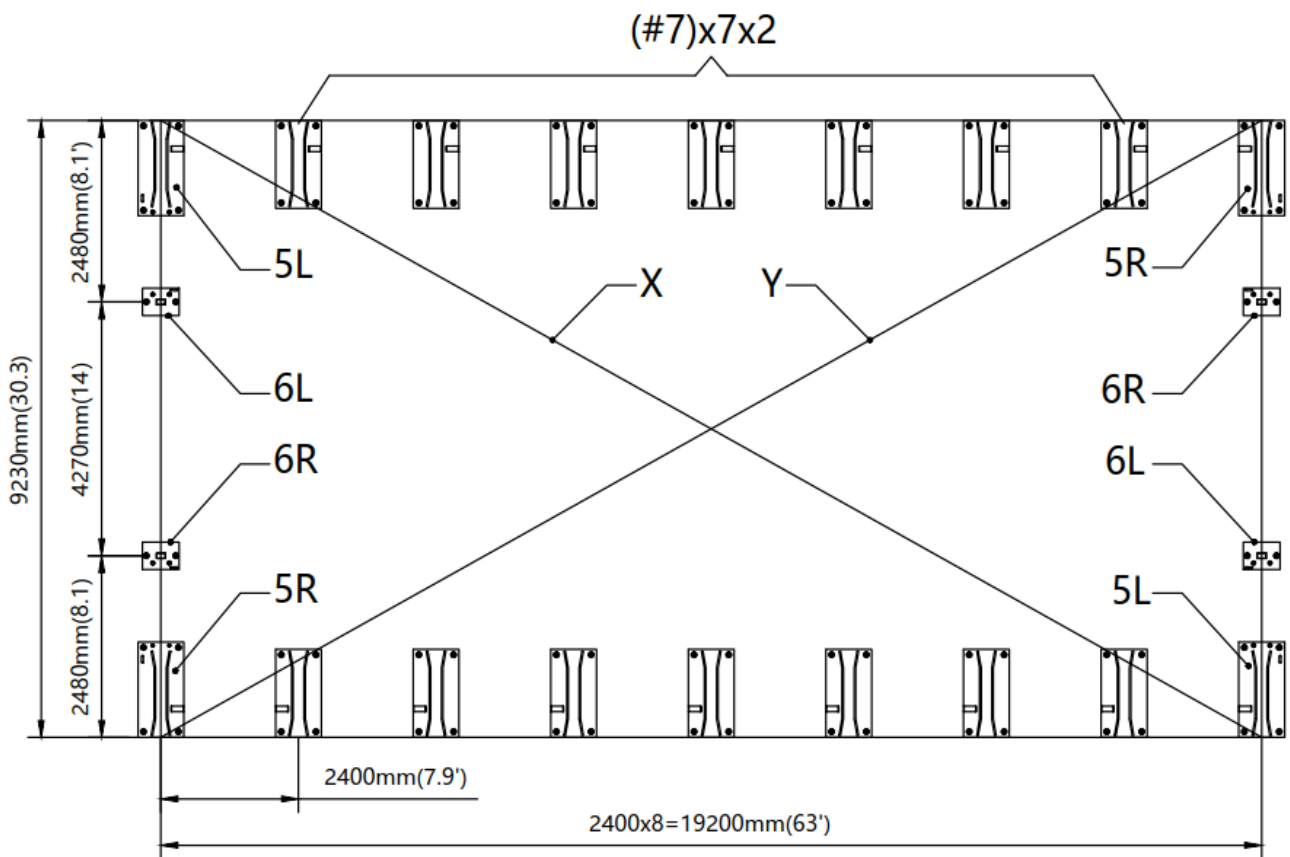
- Please read and understand the product manual completely before assembly
- Check against the parts list to make sure all parts are received
- Wear proper safety goggles or other protective gears while in assembly
- Do not return the product to dealer. They are not equipped to handle your requests.

Missing parts or have questions on assembly?
Please call: 1-877-761-2819 or email: cs@tmgindustrial.com

MAIN SPECIFICATIONS :

- Assembly size : W9.15 x L19.2 x H6 (m) / 30 x 63 x 19.7 (ft)
- Ridge height : 6m / 19.7 ft
- Peak clearance : 5.4m / 17.7 ft
- Front and back door : 4.27 x 3.96 (m) / 14 x 13 (ft)
- Shoulder height : 3.6 m / 11.8 ft

CONCRETE FOUNDATION SIZE SEE BELOW FIGURE.



PRIOR TO ASSEMBLY

Please read the instructions carefully before installation. It is very important to follow your local safety regulations and industry standards during installation. Regulations may include but are not limited to:

- Safety helmets, protective eyewear, and clothing
- Safety harnesses for all elevated workers
- Proper ladder, cage, and safety operation

Check all components and parts before installation. All parts are marked with a part number, please refer to the parts list to ensure you have all parts.

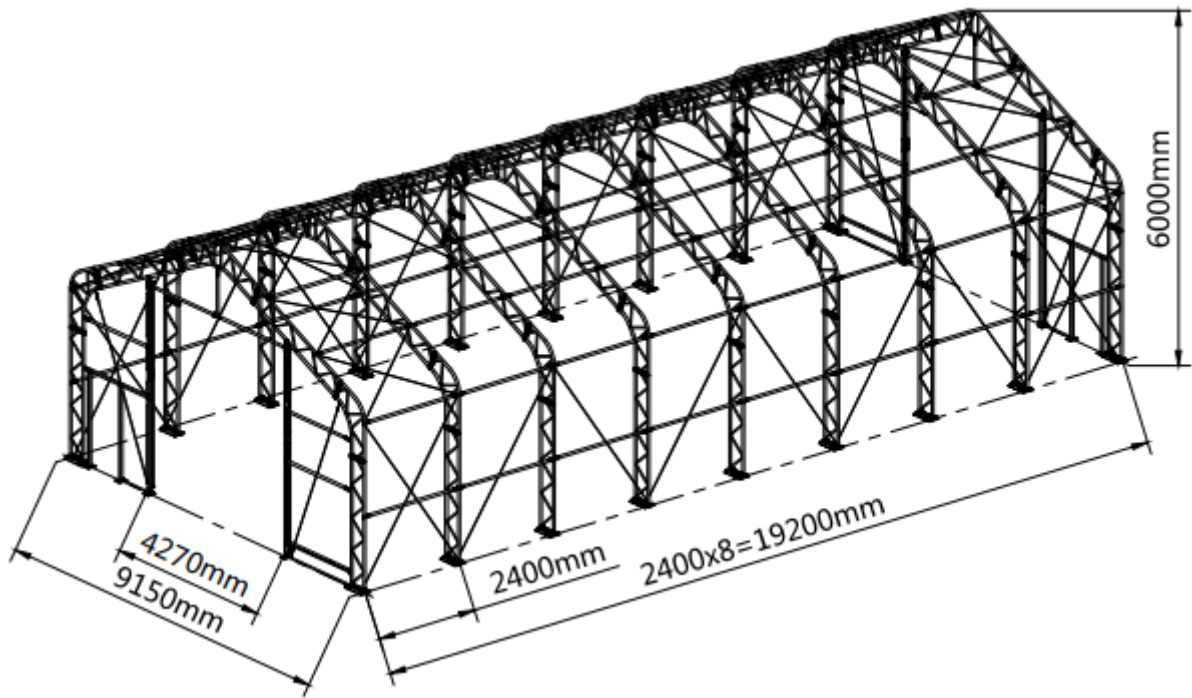
Choose a day with low or no wind to install, it is hard to assemble with heavy wind. Do not make any alterations to the structure. Do not hang any weight on the frame during installation, including parts. We are not responsible for any damages or injuries caused by inappropriate installation, unauthorized modifications or extreme weather.

This building is not intended for human occupancy.



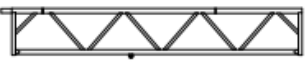
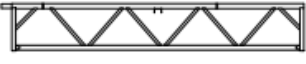


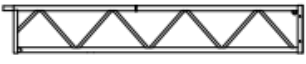
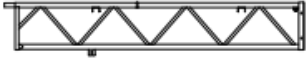
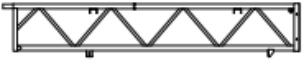




It is recommended to use heavy duty duct tapes to tape the tube connection joint spots to protect the cover from damage and worn. It will help to extend the cover life span.


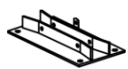

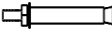
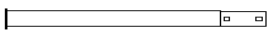
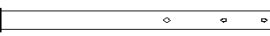

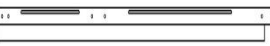
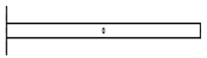
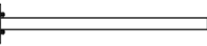
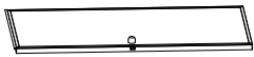
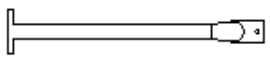


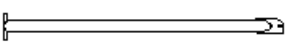
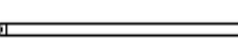

Check the parts list below to make sure all parts are received prior to assembly.

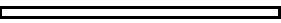


















FRAME STRUCTURE DIAGRAM.



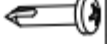
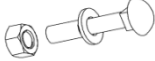
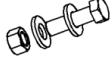
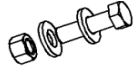
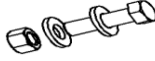

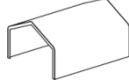

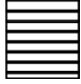
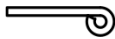

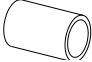



TMG-DT3063-PRO PART LIST

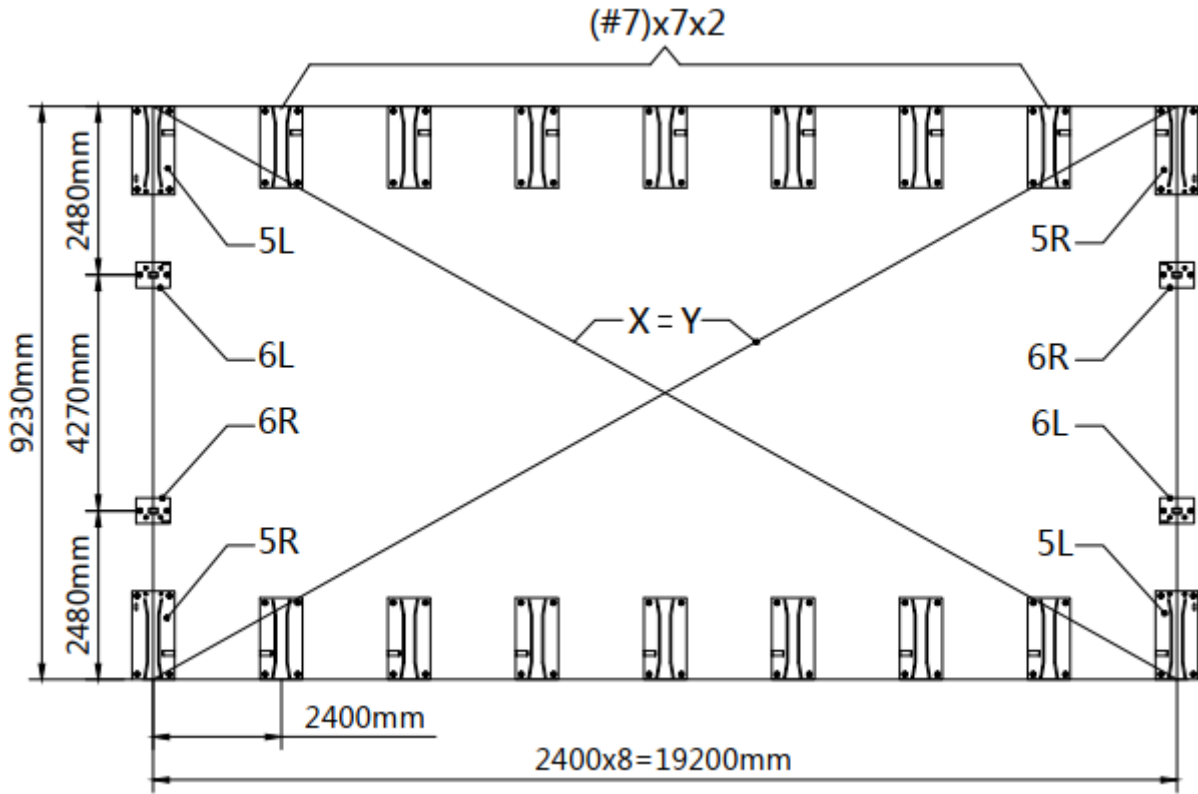
PARTS CODE	GRAPHICAL	DESCRIPTION	LENGTH	QTY	BOX
1		Peak arch tube (for 7 middle trusses)	L2570mm	7	B
1A		Peak arch tube (for front and rear truss)	L2570mm	2	B
2		Upper rafter tube (for middle trusses)	L2921mm	14	A
2A		Upper rafter tube (for front and rear truss)	L2921mm	4	A
3		Shoulder tube (for middle trusses)	L1757mm	14	B
3A		Shoulder tube (front and rear trusses)	L1757mm	4	B
4		Sidewall tube (middle trusses)	L2878mm	14	A
4A		Sidewall tube (front and rear left truss)	L2878mm	2	A
4B		Sidewall tube (front and rear right truss)	L2878mm	2	A
5		Roof purlin (horizontal tube)	L2440mm	72	A
5L		Baseplate for front and rear truss left corners	W260xL520mm	2	B
5R		Baseplate for front and rear truss right corners	W260xL520mm	2	B
6L		Left baseplate of front and rear door frame	W150xL200mm	2	B

6R		Right baseplate of front and rear door frame	W150xL200mm	2	B
7		Baseplates for middle truss	W260xL480mm	14	B
7A		Ratchets	3T	46	B
7B		Expansion bolts	φ16x150mm	88	B
8		Ceiling cross bar (front and rear truss)	L2083mm	2	B
9		Ceiling cross bar (front and rear truss)	L2233mm	2	B
9L		Front and rear vertical door rail (left side upper part)	L1984mm	2	B
9R		Front and rear vertical door rail (right side upper part)	L1984mm	2	B
9A		Side door left tube	L2027mm	2	B
9B		Side door right tube	L2027mm	2	B
9C		Side door	L2005xW925mm	2	B
10		Door center vertical supporting rod for cross beam (front and rear truss)	L1018mm	2	B
10L		Front and rear vertical door rail (left side lower part)	L2625mm	2	B
10R		Front and rear vertical door rail (right side lower part)	L2625mm	2	B
11		Door frame horizontal tube (front and rear truss)	L1982mm	6	B
11C		Side door upper tube	L1980mm	2	B
12		Bottom tension bar (front and rear truss)	L1970mm	2	B

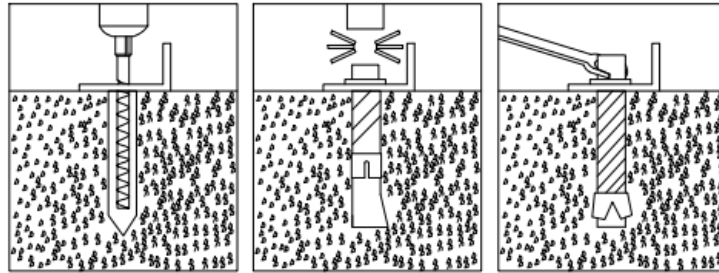
12B		Bottom tension bar	L815mm	2	B
13		Front and rear door hand winch crossing tube	L1984mm	2	B
14		Top cover tension tube	L1993mm	20	A
15		Front and rear roll up door dropping tubes (to connect #16)	L2195mm	14	A
16		Front and rear roll up door dropping tubes (to connect #15)	L2192mm	14	B
17		Sidewall frame steel tension cables	φ6xL4050mm	20	B
18		Ridge steel tension cables (front and rear trusses)	φ6xL2800mm	24	B
19		Middle truss crossing steel tension cables	φ6xL3990mm	7	B
20		Front and rear truss left and right steel cables	φ6xL3900mm	4	B
21		Tie down straps (for #7A)	W38xL800mm	46	B
22		Cable connection plate	L91mm	34	B
22A		Pressing plate	W20xL2000mm	12	B
22B		Pressing plate	W20xL1000mm	2	B
23		Roll up door hand winch	1200LB	2	B
23A		Wire rope for front and rear door hand winch	φ4x15m	2	B
23B		Right pulley system for front and rear doors	150mm	2	B
23C		Left pulley system for front and rear doors	L150mm	2	B
24		Front and rear vertical door rail connection plate	L240mm	4	B
24A		Front and rear vertical door rail end plate (floatable to keep door rail straight)	L220mm	4	B

25		Tension tube end water plug	φ32mm	12	B
26		Tube clamps	φ48mm	6	B
27		Tapping screw	#12x25mm	120	B
28		Self locking bolt and nuts	M10x70mm	81	B
29		Strengthened bolt and nuts	M12x30mm	288	B
30		Hex bolt and nuts	M10x50mm	14	B
31		Hex bolt and nuts	M10x70mm	68	B
32		Braided rope	L160m	1	B
33		Roof fabric tarp cover	W18.4xL19.8m	1	A
34		Front and rear truss cover panel	W6.2xL9.1m	2	A
35		Front and rear roll up door cover panel	W4.2xL4.6m	2	A
36		Front and rear fabric tarp secure pin	L200mm	2	B
37		Plastic hose (in grooves at both ends of #33)	φ25xL4m	10	B
37A		Connector (for connection #37)	φ25mm	8	B
38		Scratch resistant tape	L10m	4	B

STEP 1 : BASEPLATE POSITIONING AND INSTALLATION.



- Installation diagram of expansion bolt.

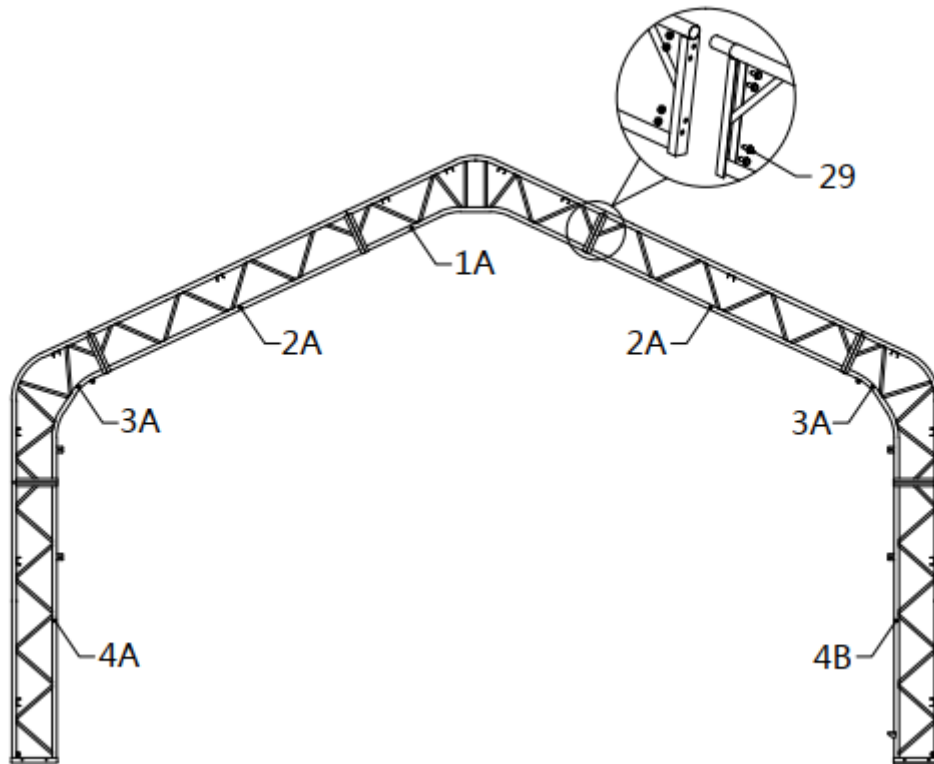



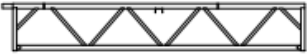

PARTS CODE	PART	QTY
5L		2
5R		2
6L		2

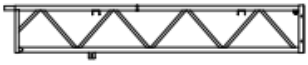
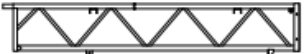
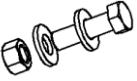
PARTS CODE	PART	QTY
6R		2
7		14
7B		80

STEP 2 : ASSEMBLE ALL TRUSSES.

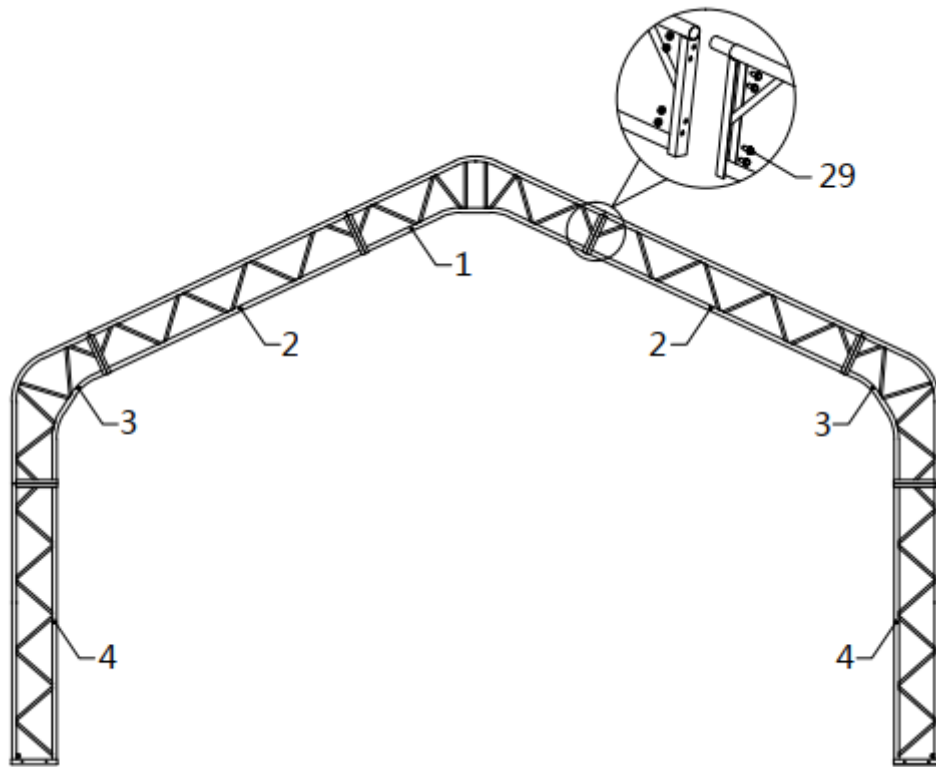
- Front and rear trusses.



PARTS CODE	PART	QTY
1A		1x2
2A		2x2
3A		2x2

No.	Part	Qty
4A		1x2
4B		1x2
29		24x2

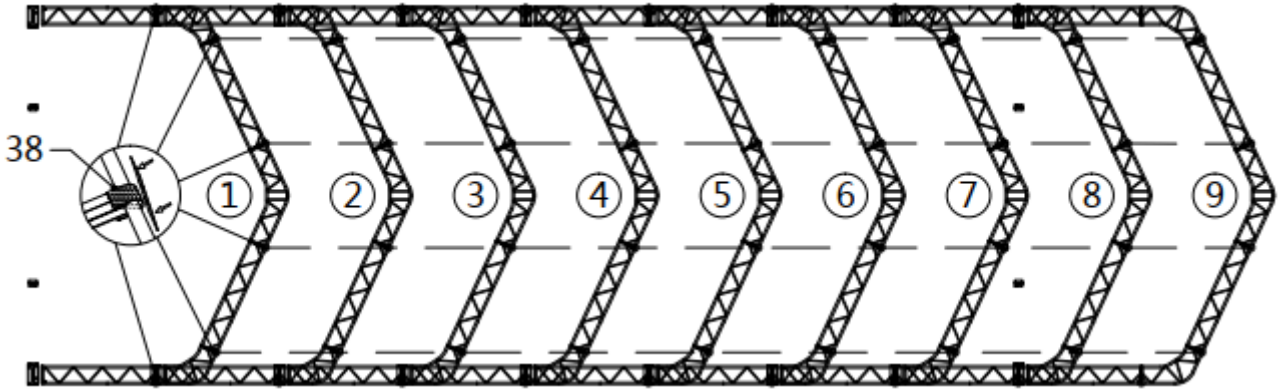
- Middle trusses. (7 trusses)

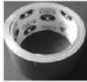


PARTS CODE	PART	QTY
1		1x7
2		2x7
3		2x7

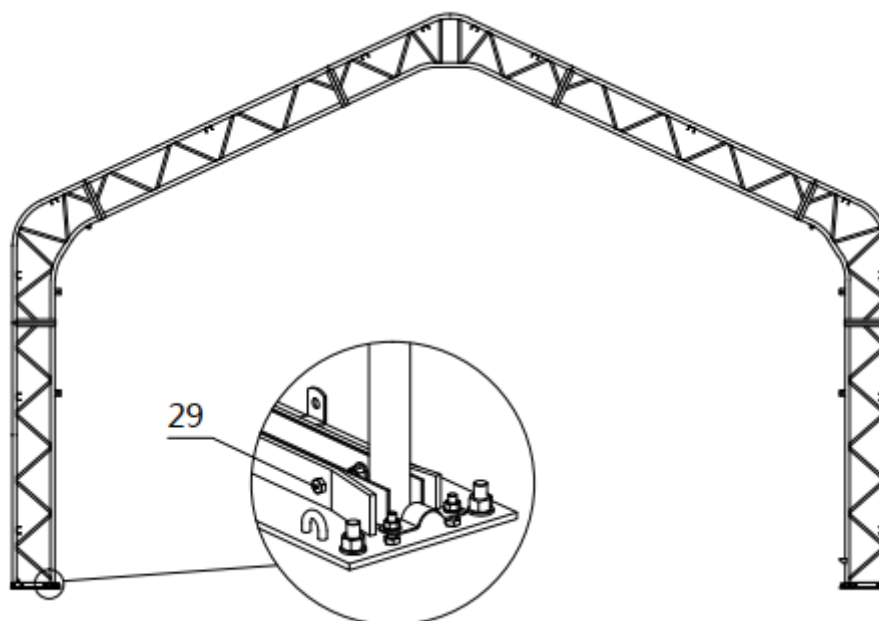
PARTS CODE	PART	QTY
4		2x7
29		24x7

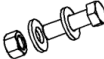
- Lay down all (9) trusses on the ground when the assembly is all completed and before moving to next step, and then wrap (#38) around the sharp points of the joint to avoid friction between the fabric and the interface, resulting in fabric damage.



PARTS CODE	PART	QTY
38		4

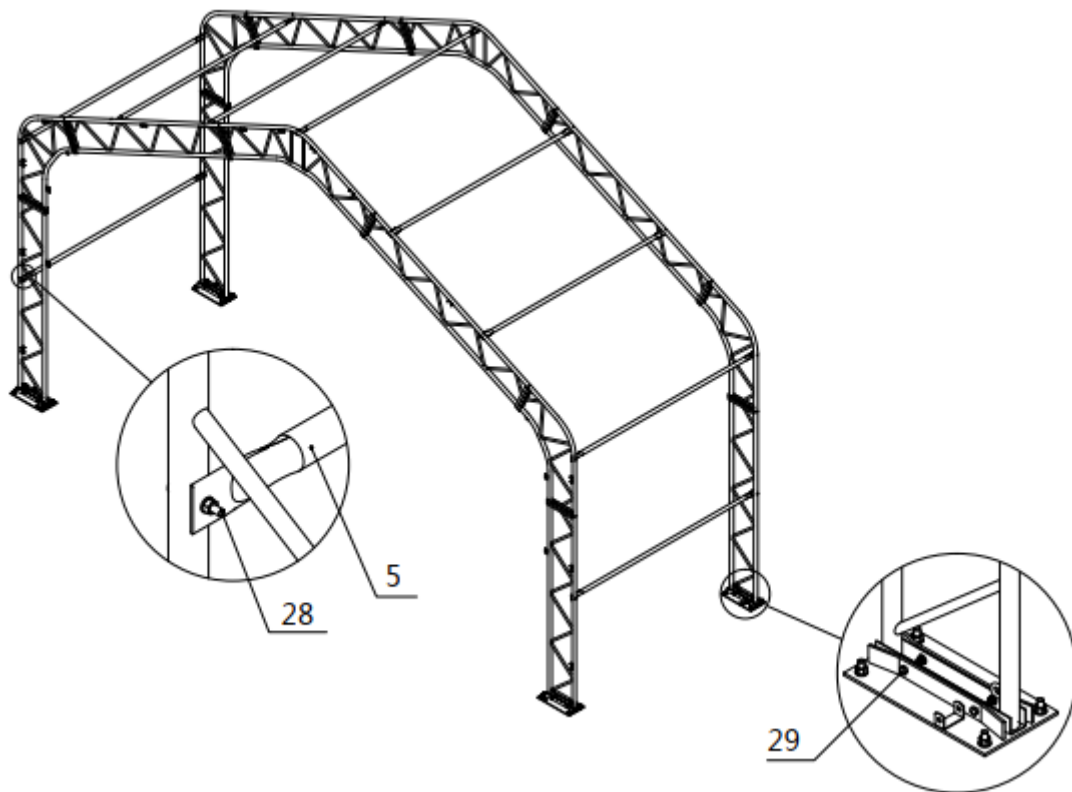
STEP 3 : PUT UP THE FRONT TRUSS. (IT IS SUGGESTED TO USE CRANE FOR HOISTING)


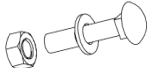


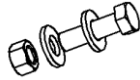
PARTS CODE	PART	QTY
29		8

STEP 4 : PUT UP THE REST TRUSSES.

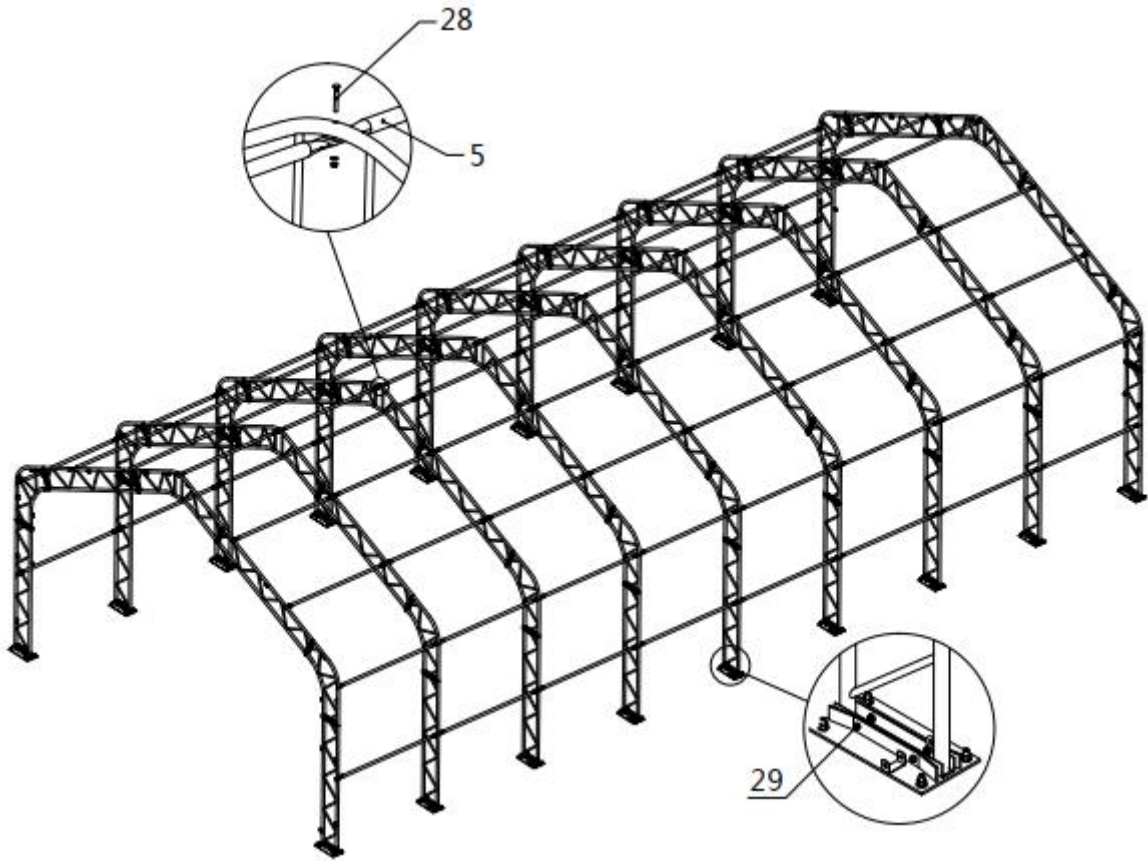
- Refer to step 3 to put up the rest trusses, connect all purlins (#5) with bolt (#28) and secure all bolts firmly on each span before going to next truss .


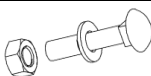


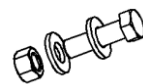
PARTS CODE	PART	QTY
5		9
28		18

PARTS CODE	PART	QTY
29		8

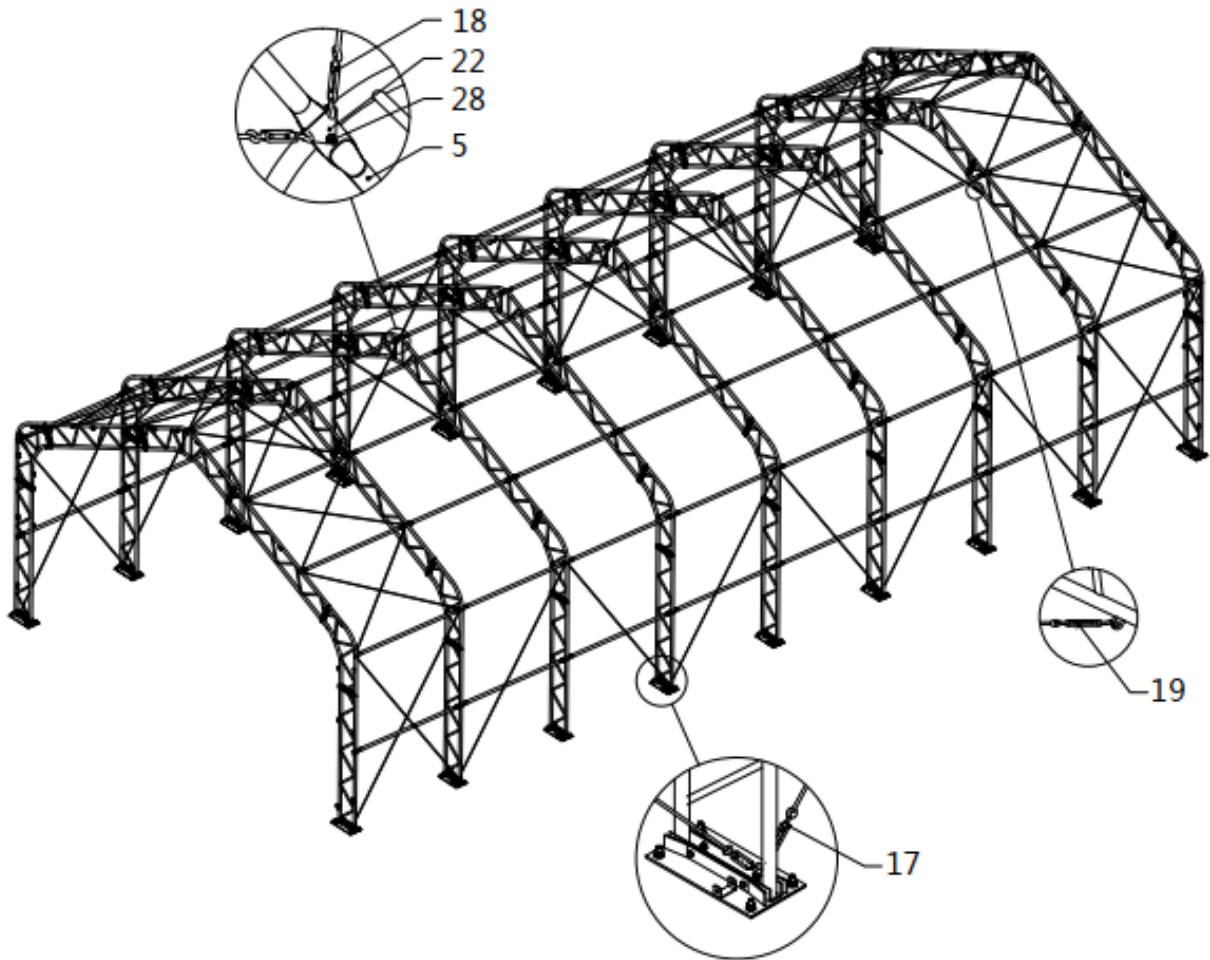
- Repeat above step to put up all other trusses (from 3rd to 9th truss), and connect all purlins.







PARTS CODE	PART	QTY
5		63
28		63

PARTS CODE	PART	QTY
29		56

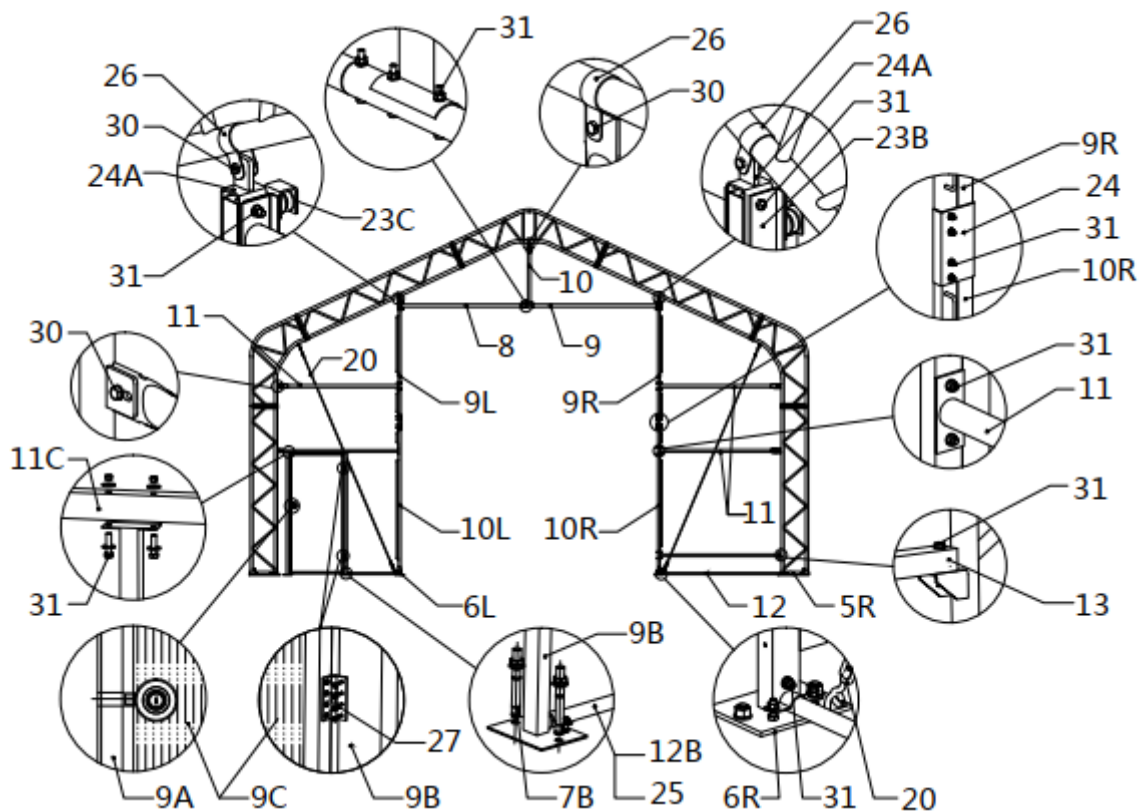
- Tension cable installation . All cables are diagonally installed on each side of the interval.



PARTS CODE	PART	QTY
17		20
18		24

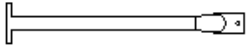
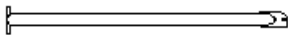

PARTS CODE	PART	QTY
19		7
22		34



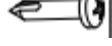
STEP 5 : FRONT AND REAR TRUSSES TO COMPLETE. (2 TRUSSES)



PARTS CODE	PART	QTY
7B		4x2
8		1x2
9		1x2
9A		1x2
9B		1x2
9C		1x2
9L		1x2
9R		1x2
10L		1x2
10R		1x2

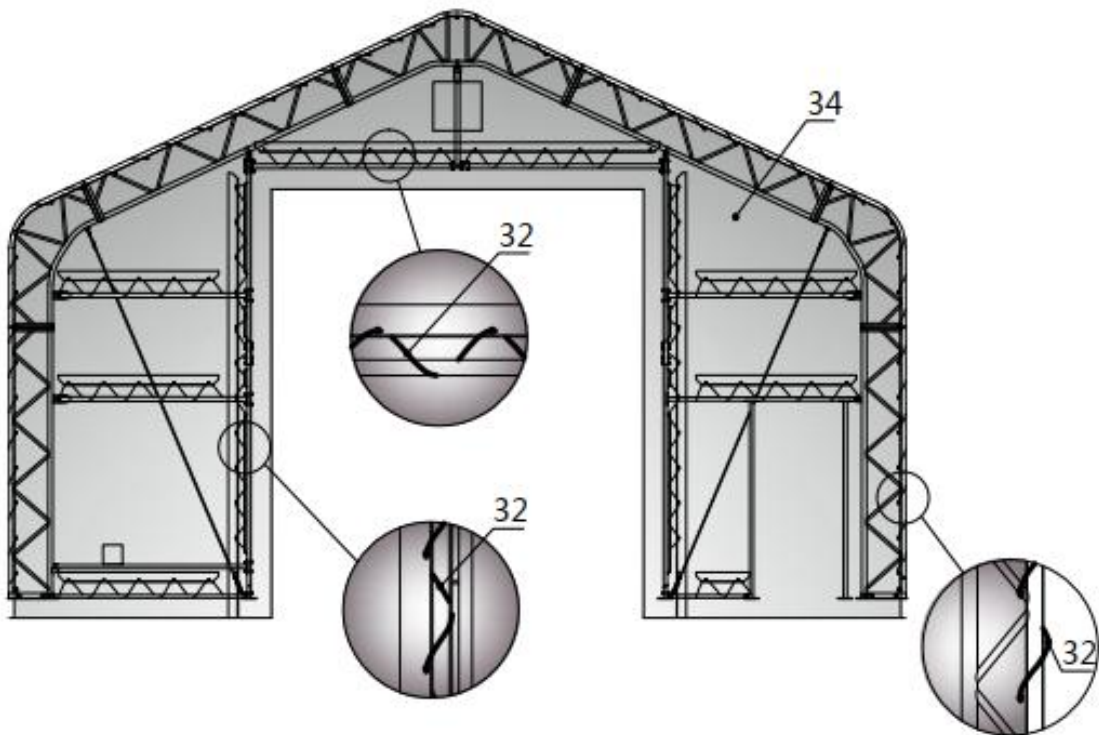
PARTS CODE	PART	QTY
12		1x2
12B		1x2
13		1x2
20		2x2
23B		1x2
23C		1x2
24		2x2
24A		2x2
25		4x2
26		3x2


10		1x2
11		3x2
11C		1x2


30		7x2
31		32x2
27		8x2

STEP 6: INSTALL FRONT AND REAR COVER PANELS

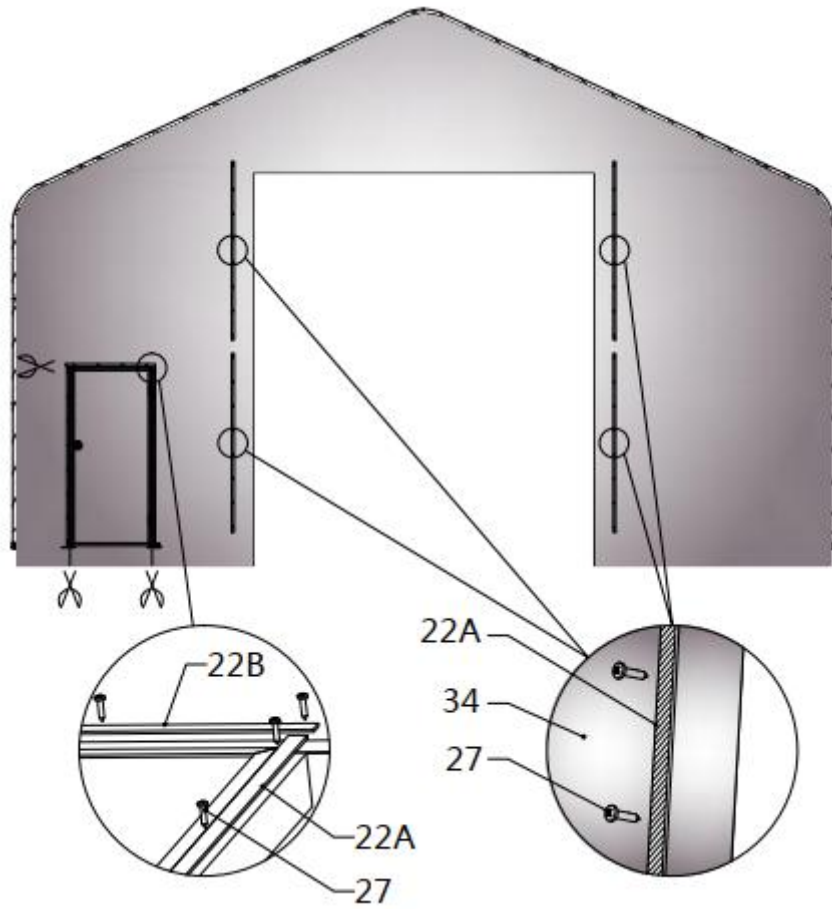
- Lift up (#34) cover panel, starting from the center point of the frame (highest ridge point) use ropes (#32) through the grommets to tie the panel to the truss firmly. All grommets need to be tied to the frame as shown.






PARTS CODE	PART	QTY
32		1

PARTS CODE	PART	QTY
34		1x2

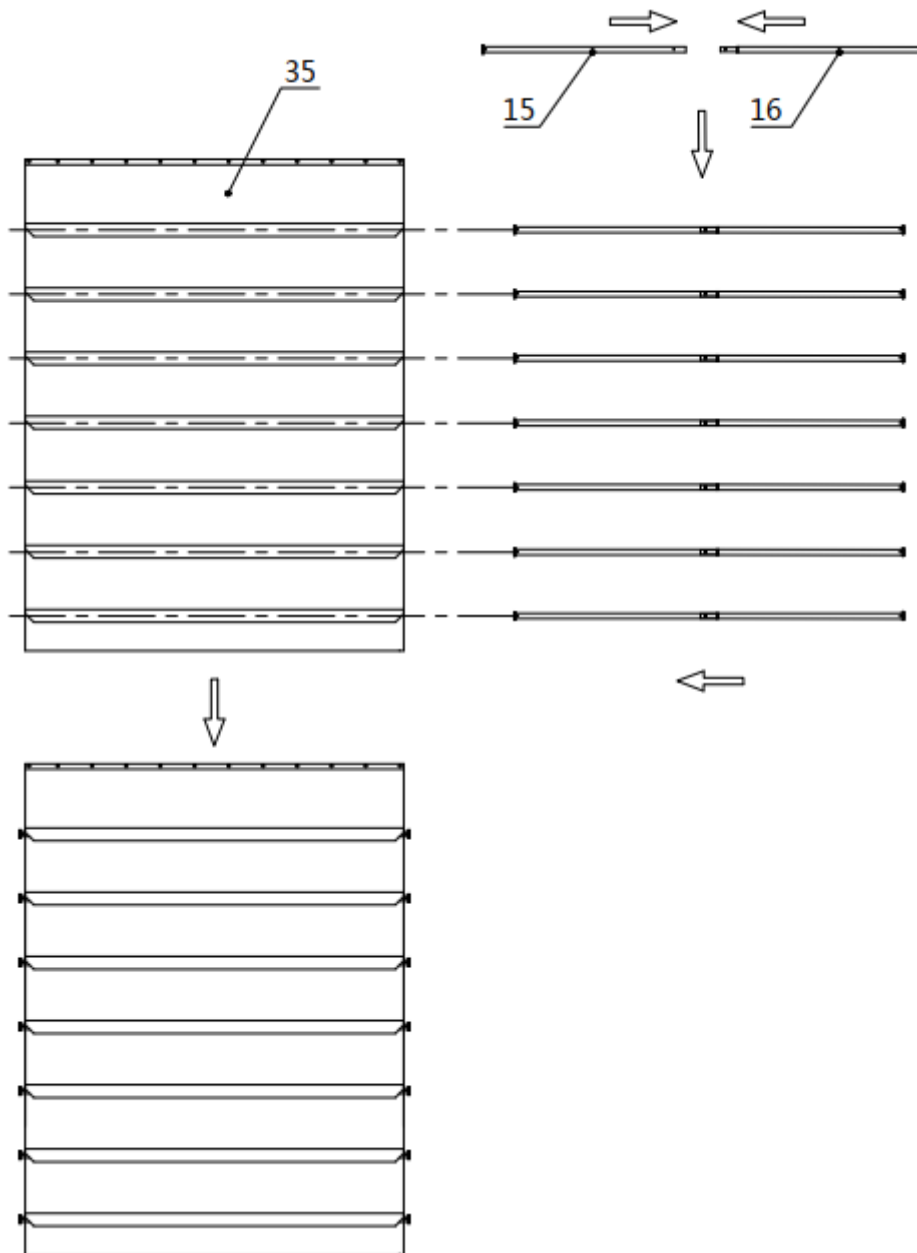
- Install the front and rear door pressing plate. Trim the side door tarp.





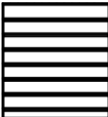
PARTS CODE	PART	QTY
22A		6x2
22B		1x2
27		52x2

STEP 7 : INSTALL MECHANICAL ROLL UP DOORS.

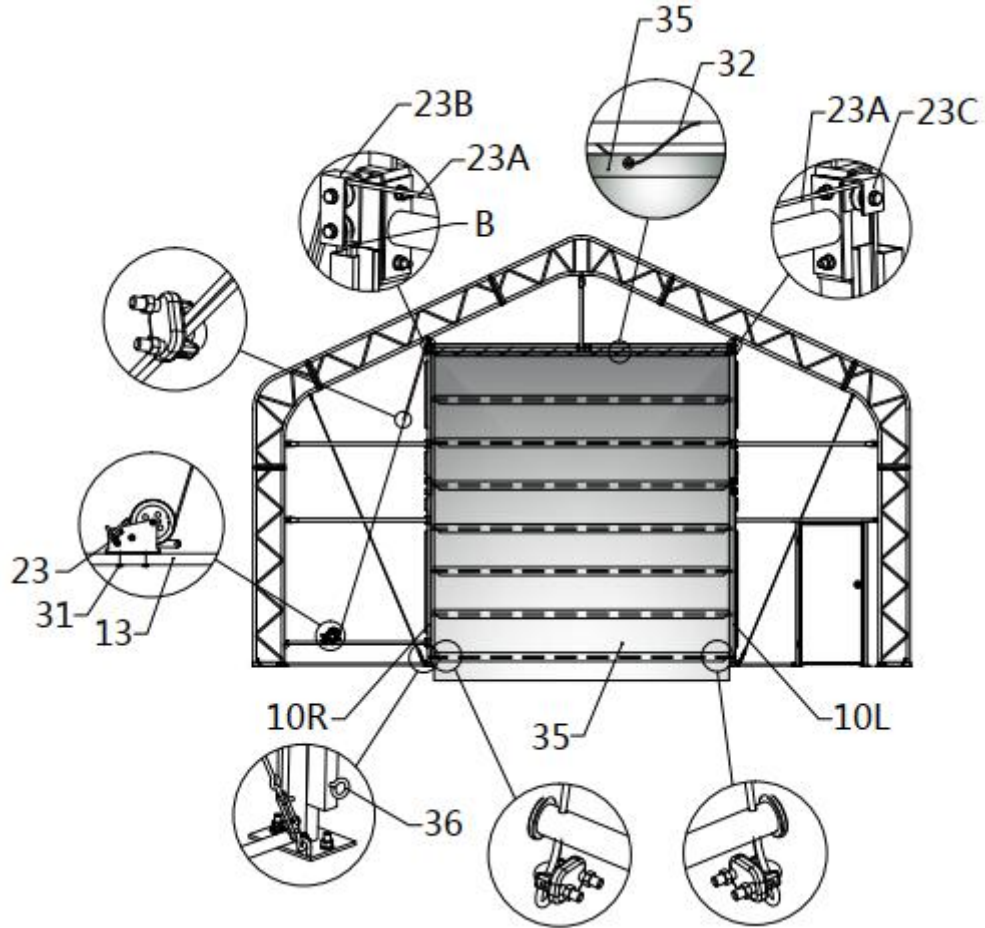
- Door curtain installation.



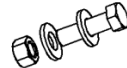



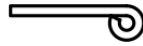
PARTS CODE	PART	QTY
15		7x2
16		7x2

PARTS CODE	PART	QTY
35		1x2

- Front and rear door installation, please look at the door from inside.
- The hand winch (#23) comes with a shorter cable, we call it cable (#B).

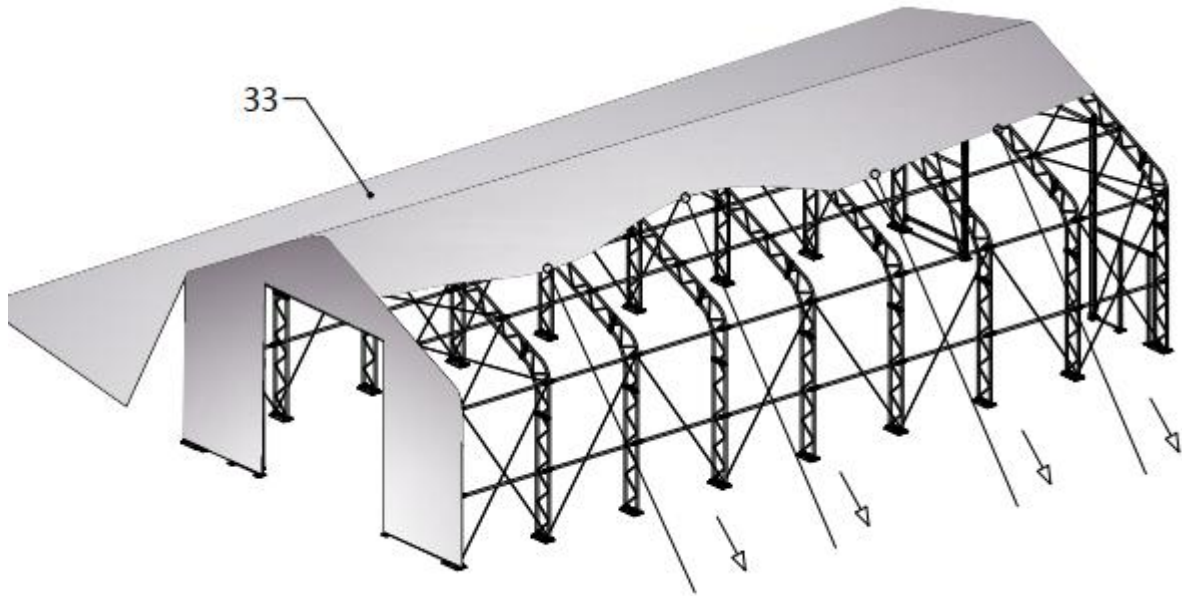


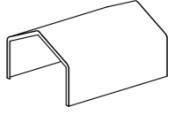
PARTS CODE	PART	QTY
23		1x2
23A		1x2
31		2x2

PARTS CODE	PART	QTY
32		1
36		1x2

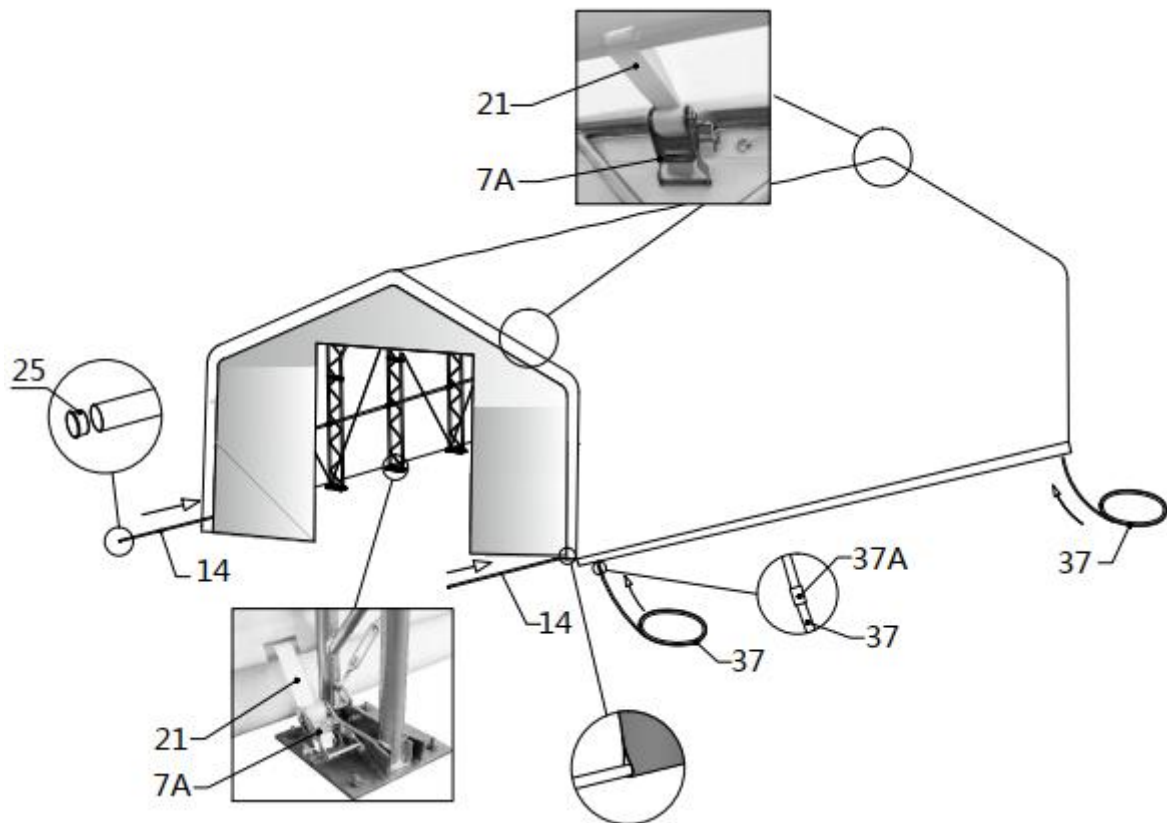
STEP 8 : INSTALL ROOF COVER.




- **NOTE:** The cover must be installed on a windless day. **DO NOT** attempt to install the cover during windy conditions.






PARTS CODE	PART	QTY
33		1

- After the cover is installed on the roof, insert the plastic pipe (#37) slowly into the grooves on two ends of the cover (not two sides), and then insert tension tubes (#14) in the groove on both sides of the cover bottom, Add the water plug (#25) on the 1st tube (#14) to protect the fabric while the tube is going through and add the water plug on the last tube also to keep water away.
- Stretch and adjust the cover from left and right, back and forth, to make sure it is square and centered. Cut the grooves from inner side facing to the ratchet hardware (#7A), and add tie down straps (#21) to pull the tension tube and tie the strap to the base.



PARTS CODE	PART	QTY
7A		46
14		20
21		46

PARTS CODE	PART	QTY
25		4
37		10
37A		8

AFTER THE INSTALLATION

Walk around and inspect the building periodically to make sure all components are still firmly secured and the whole building is well supported. Check all bolts and nuts as well as all connection points to make sure they are all in good position. Check the base plates, adjust the ropes and tie downs if required and clean the cover regularly.

Snow accumulating on the fabric cover must be removed as soon as possible. If snow becomes solid ice on the cover, it will increase the weight on the roof and collapses the building or reduce the life span eventually. Keep the building on a dry ground most of the time. Do not keep the fabric dirt skirt under water all the time, otherwise the fabric will deteriorate.

We strongly recommend you remove any snow from the roof immediately. Do not leave any snow load on the roof overnight. Keep 3 feet of clearance on all sides at all times. Do not allow snow to accumulate and pile up on the sides of the building. Otherwise the push from the sides toward inside will make the building collapsed at some point.