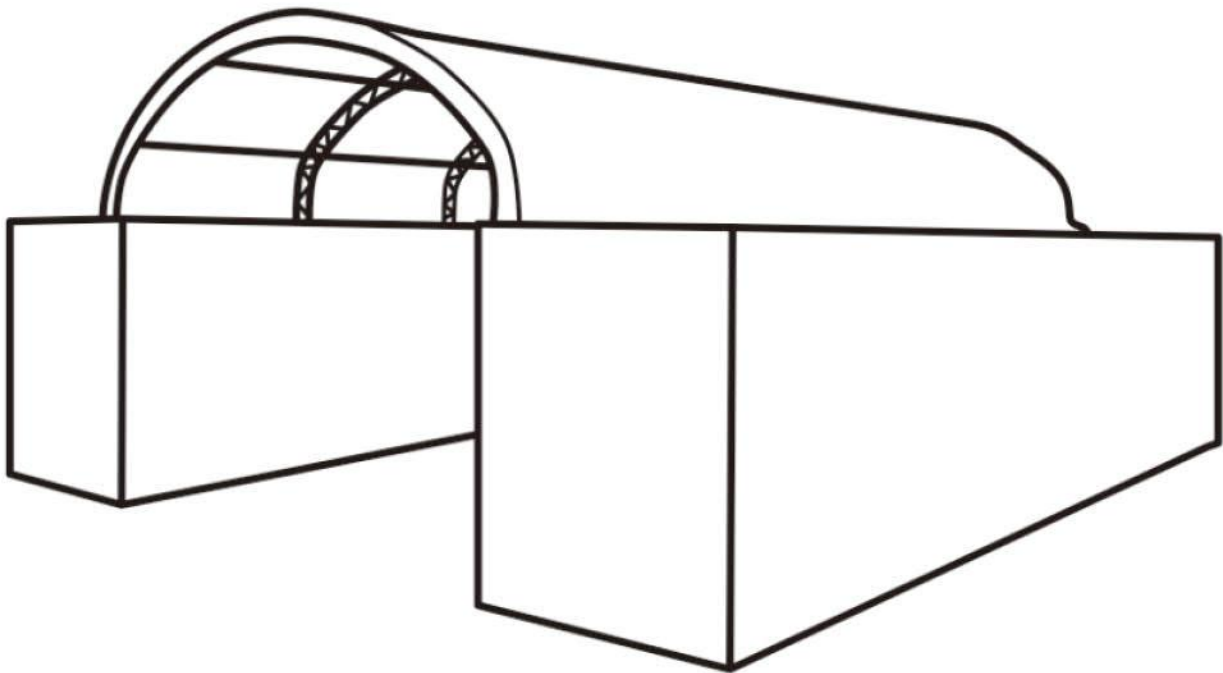


MODEL TMG-DT2041CV

20' x 40' DUAL TRUSS PRO SERIES CONTAINER ROOF SHELTER



⚠ WARNING



- Please read and understand the product manual completely before assembly
- Check against the parts list to make sure all parts are received
- Wear proper safety goggles or other protective gears while in assembly
- Do not return the product to dealer. They are not equipped to handle your requests.

Missing parts or have questions on assembly?

Please call: 1-877-761-2819 or email: cs@tmgindustrial.com

Main Specifications :

- Overall assembled size : W6 x L12 x H2 (m) / W19.7 x L39.4 x H6.5 (ft)
- Width : 6 m / 19.7ft
- Length : 12 m / 39.4ft
- Ridge peak height : 2 m / 6.5ft + container height
- Shoulder wall clearance height : 0.6m / 2ft

Prior to assembly

Please read the instructions carefully before installation. It is very important to follow your local safety regulations and industry standards during installation. Regulations may include but are not limited to:

- Safety helmets, protective eyewear, and clothing
- Safety harnesses for all elevated workers
- Proper ladder, cage, and safety operation

Check all components and parts before installation. All parts are marked with a part number, please refer to the parts list to make sure you have all parts.

Choose a day with low or no wind to install, assembly is hard in heavy wind. Do not make any alterations to the structure. Do not hang any weights on the frame during installation, including parts. We are not responsible for any damages or injuries caused by inappropriate installation, unauthorized modifications or extreme weather.

This building is not intended for human occupancy.

It is recommended to tape or add foam/rubber on the frame where joints connect and where it touches the cover. This will help extend the life span of the cover.

Read the following item list carefully and count the number of items to ensure that all parts are included prior to setup.

Installation steps

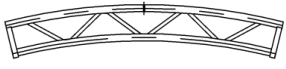
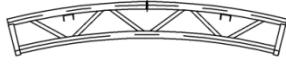




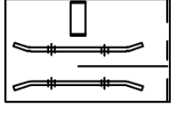
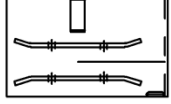
Step 1 : Review the whole structure and choose the proper installation site.

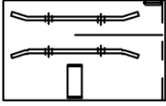






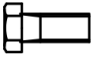







Choose a solid flat level ground area to set up the building. Do not install the building on soft ground, wetland, uneven surfaces, sloped surfaces, or on top of structures that are not rated to hold its weight.

We strongly recommend that you put the containers on hard foundations before installing the shelter.

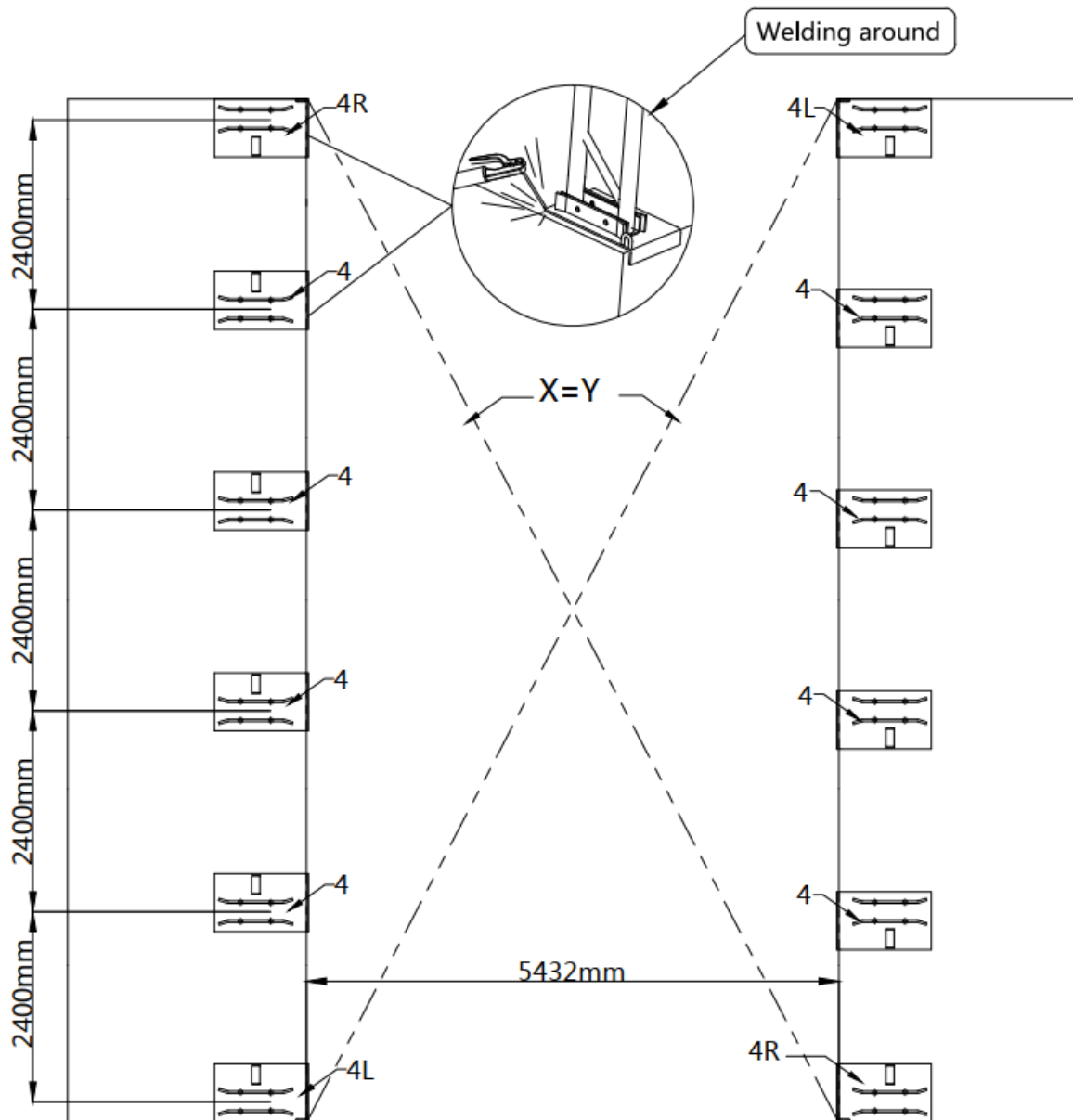
Be aware of the surrounding area. Do not set up the building near snowdrifts, open flames or exposed electrical wires. Do not keep heat sources near the fabric cover. Keep the building surroundings clear at all times.

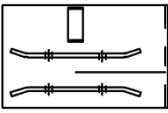
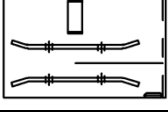
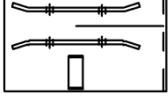
Check the parts list below to make sure all parts are received prior to assembly.

TMG-DT2041CV Part List				
No.	Graphical	Description	Length	Qty
1		Peak arch tube (for 4 middle trusses)	L1935mm	4
1A		Peak arch tube (for front and rear truss)	L1935mm	2
2		Upper rafter tube (middle truss)	L1909mm	8
2A		Upper rafter tube (front and rear truss)	L1909mm	4
3		Sidewall tube (for middle truss)	L1245mm	8
3A		Sidewall tube (for front and rear truss)	L1245mm	4
4		Base plates for middle truss	W210xL340mm	8
4L		Base plate for front and rear truss left corners	W210xL340mm	2

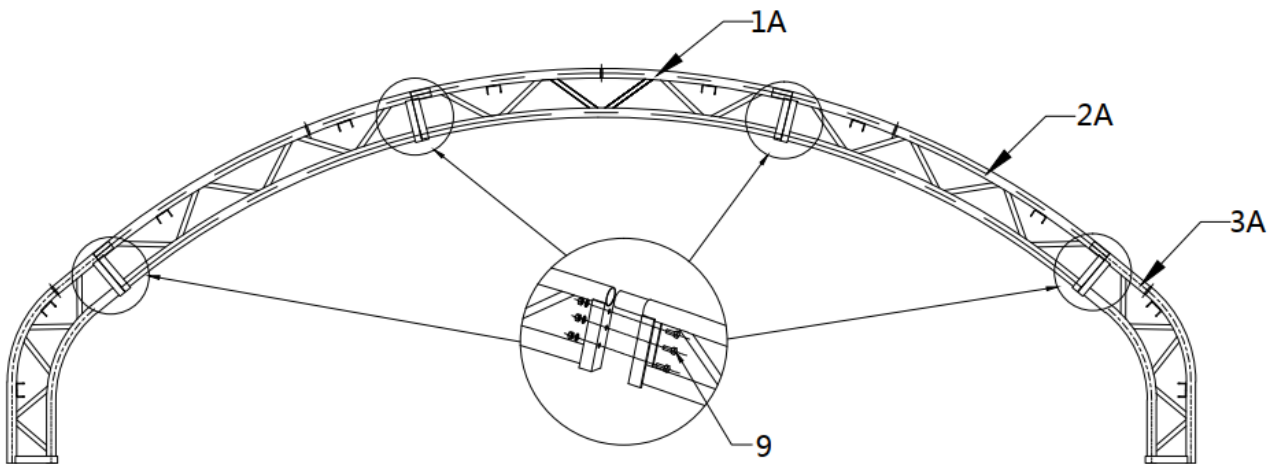
4R		Base plate for front and rear truss right corners	W210xL340mm	2
5		Roof purlin (horizontal tube)	L2440mm	25
6		Ridge steel tension cables (front and rear trusses)	L2550mm	16
6A		Cable connection plate	L91mm	20
7		Ratchets	2T	32
7A		Tie down straps (for #10 and front and rear arches)	W38xL800mm	32
8		Self locking bolt and nuts	M10x80mm	30
9		Hex bolt and nuts	M12x30mm	120
10B		Top cover tension tube (for both bottom sides)	L1993mm	12
10C		T Top cover tension tube (for both bottom sides)	L500mm	2
11		Tension tube end water plug	φ32mm	4
12		Plastic hose (in grooves at both ends of #13)	φ25mmxL4m	4
12A		Connector (for connection #12)	φ25mm	2
13		Roof fabric tarp cover	L12.64xW8.97m	1
14		Scratch resistant tape	L10m	2

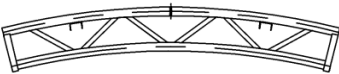
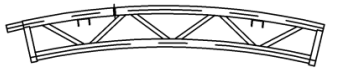
Step 2 : Baseplate positioning.


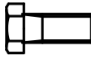


No.	Part	Qty
4		8
4L		2
4R		2

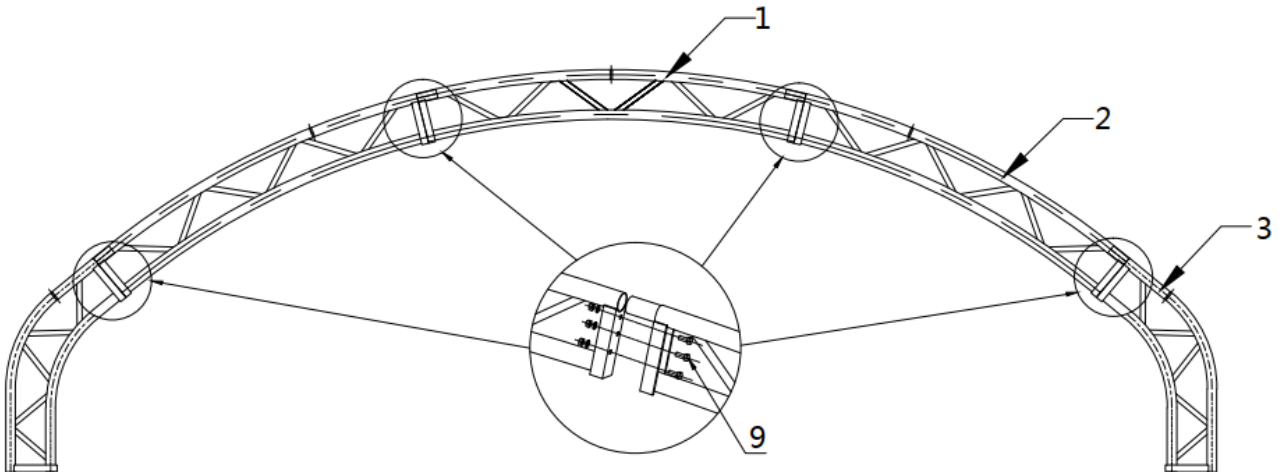
Step 3 : Installation of front and rear 2 group trusses.

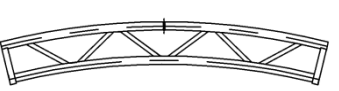
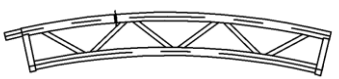




No.	Part	Qty
1A		1x2
2A		2x2

No.	Part	Qty
3A		2x2
9		12x2

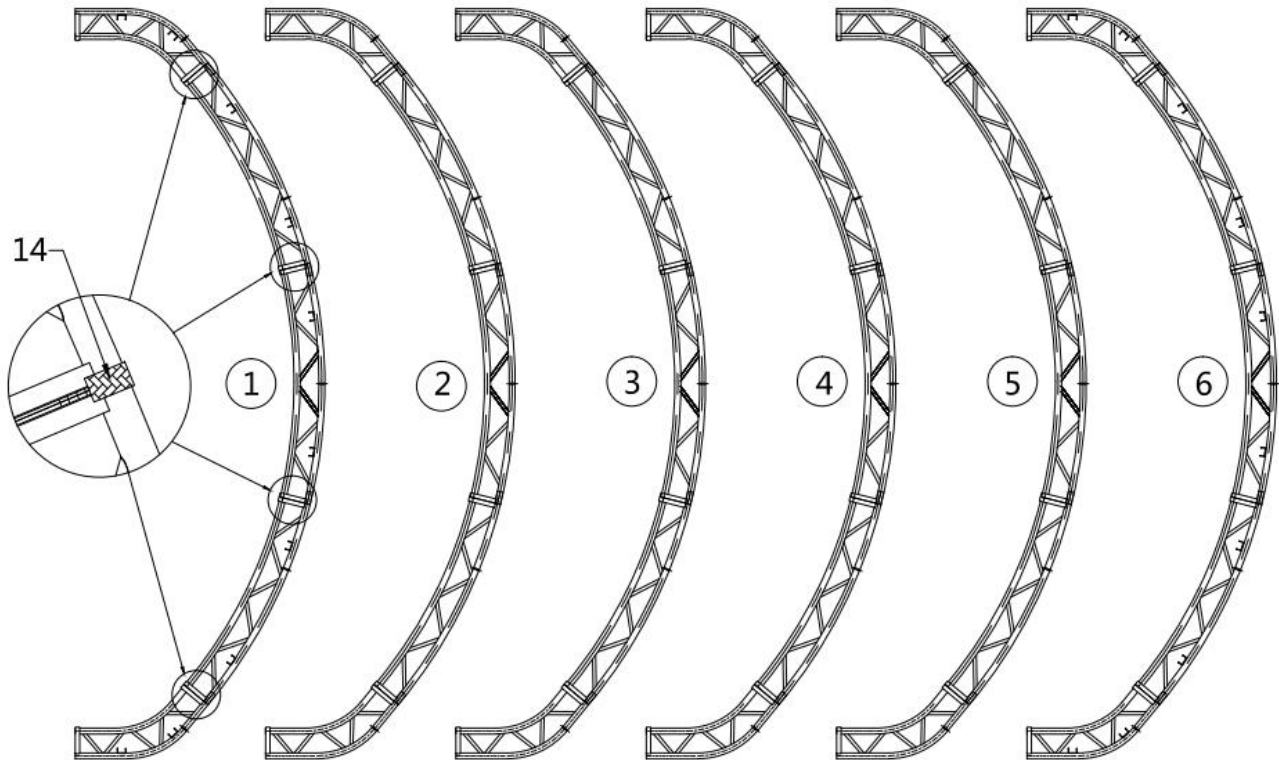
Step 4 : Installation of middle 4 group truss.




No.	Part	Qty
1		1x4
2		2x4

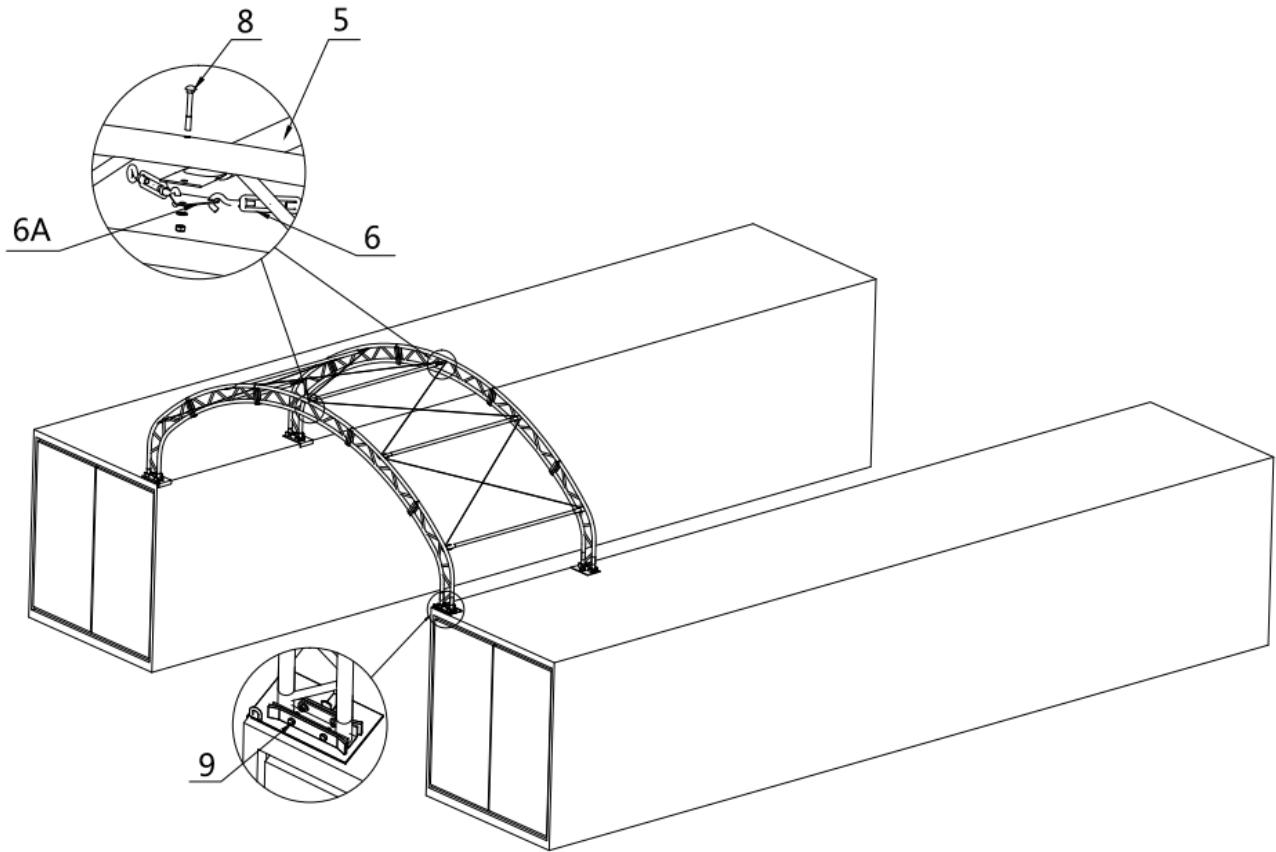
No.	Part	Qty
3		2x4
9		12x4






Step 5 : Wrap (#14) around the sharp points of the joint to avoid friction between the fabric and the interface.



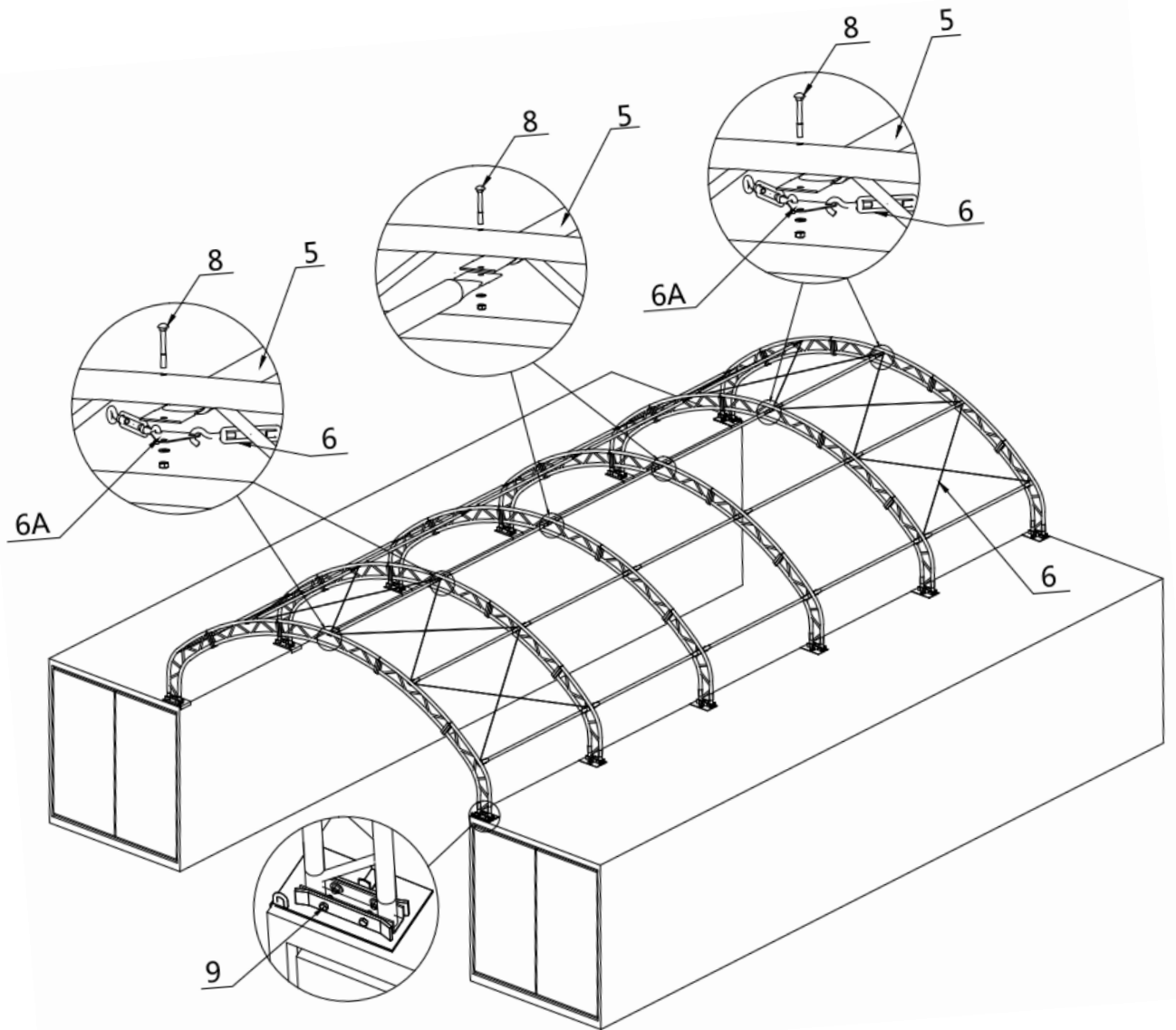
No.	Part	Qty
14		2




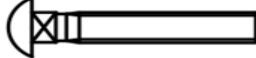
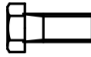
Step 6 : Install the first two trusses.



No.	Part	Qty
5		5
6		8
6A		10
8		10
9		16

Step 7 : Install all other trusses.

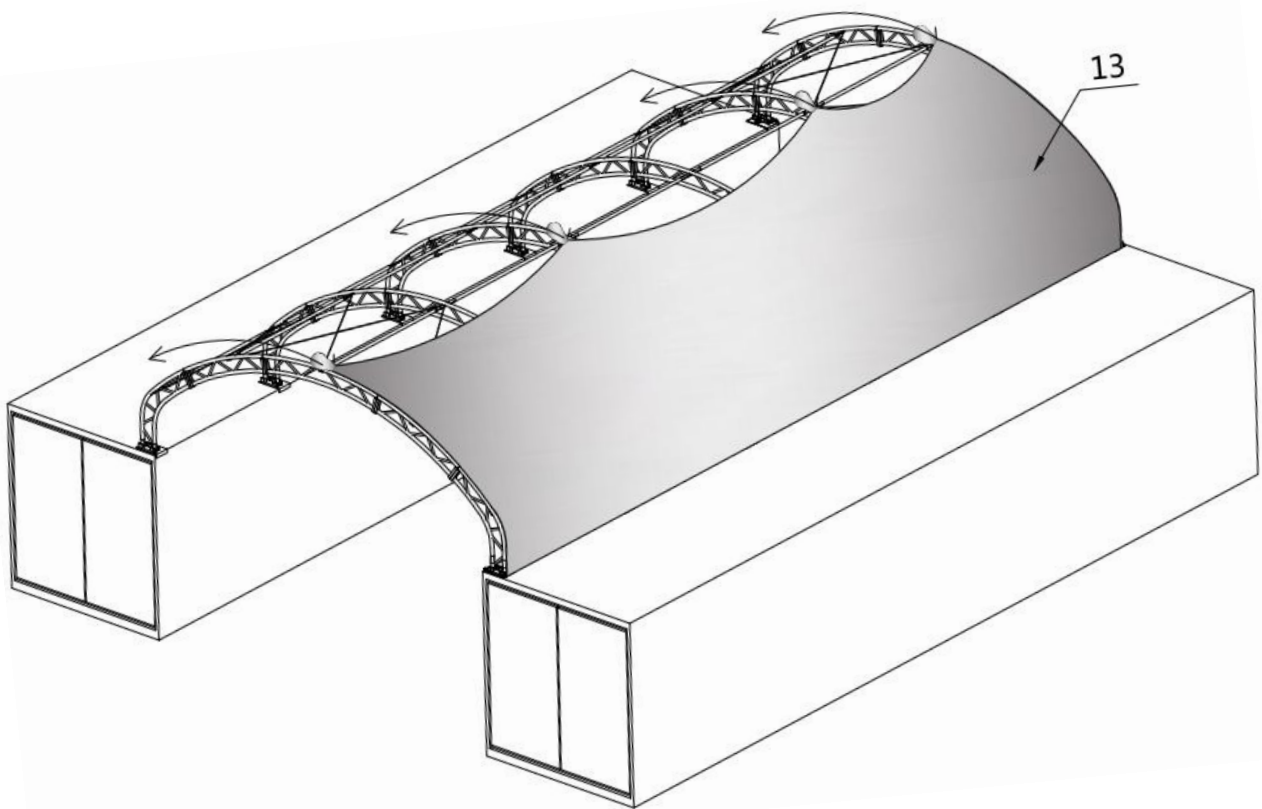



No.	Part	Qty
5		20
6		8
6A		10
8		20
9		32

Step 7 : Install the top cover (#13) stretch and tighten top cover.

Do not install the cover during windy weather!

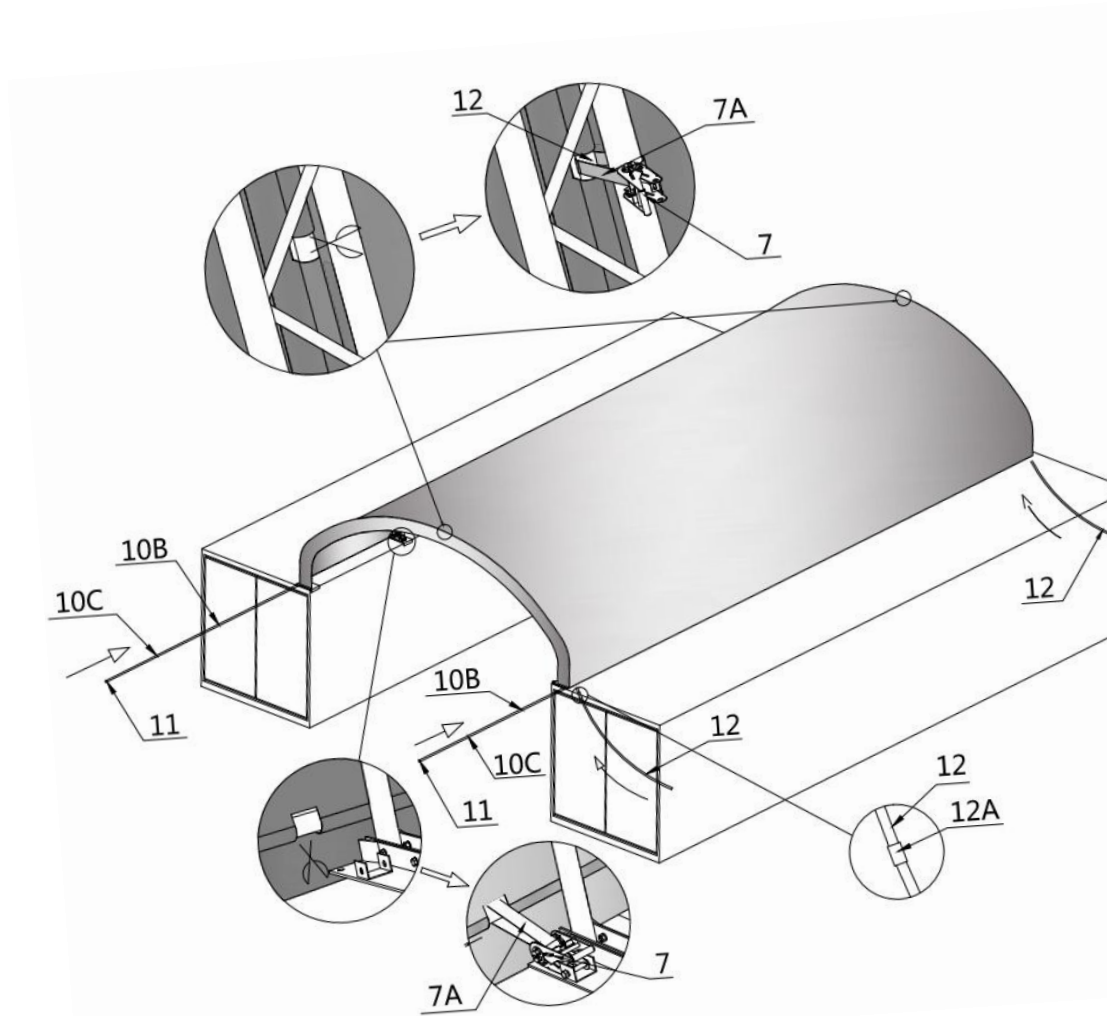
- Unpack the top cover and place it along one of the long sides of the structure.
- Use 3 to 5 ropes (#13) to pull the cover over the top of the structure, from the inside 2 or 3 people standing inside on ladders to push upwards will help to move the cover without any damage.









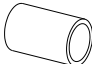
No.	Part	Qty
13		1

Step 8 : Install ratchet straps.

- Stretch and adjust the cover from left and right, to make sure it is square and centered. Cut the groove pocket where it aligns with ratchet (#7), and use strap (#7A) to pull tension tube (#10B.#10C.#12) toward the ratchet and tie it firmly there.
- Evenly adjust all ratchets on both sides to take wrinkles out and make the cover flat and smooth.



No.	Part	Qty
7		32
7A		32
10B		12
10C		2

No.	Part	Qty
11		4
12		4
12A		2

After the Installation

Walk around and inspect the shelter periodically to make sure all components are still firmly secured and the whole shelter is well supported. Check all bolts and nuts as well as all connection points to make sure they are all in good position. Check the base plates, adjust the ropes and tie downs if required and clean the cover regularly.

Snow accumulating on the fabric cover must be removed as soon as possible. If snow becomes solid ice on the cover, it will increase the weight on the roof and may collapse the shelter or reduce the life span.

Keep the shelter on a dry ground most of the time. Do not keep the fabric dirt skirt under water all the time, otherwise the fabric will deteriorate.

We strongly recommend you remove any snow from the roof immediately. Do not leave any snow load on the roof overnight. Keep 3 feet of clearance on all sides at all times. Do not allow snow to accumulate and pile up on the sides of the building. Otherwise the pressure from the sides will push inwards and could lead to a collapse.