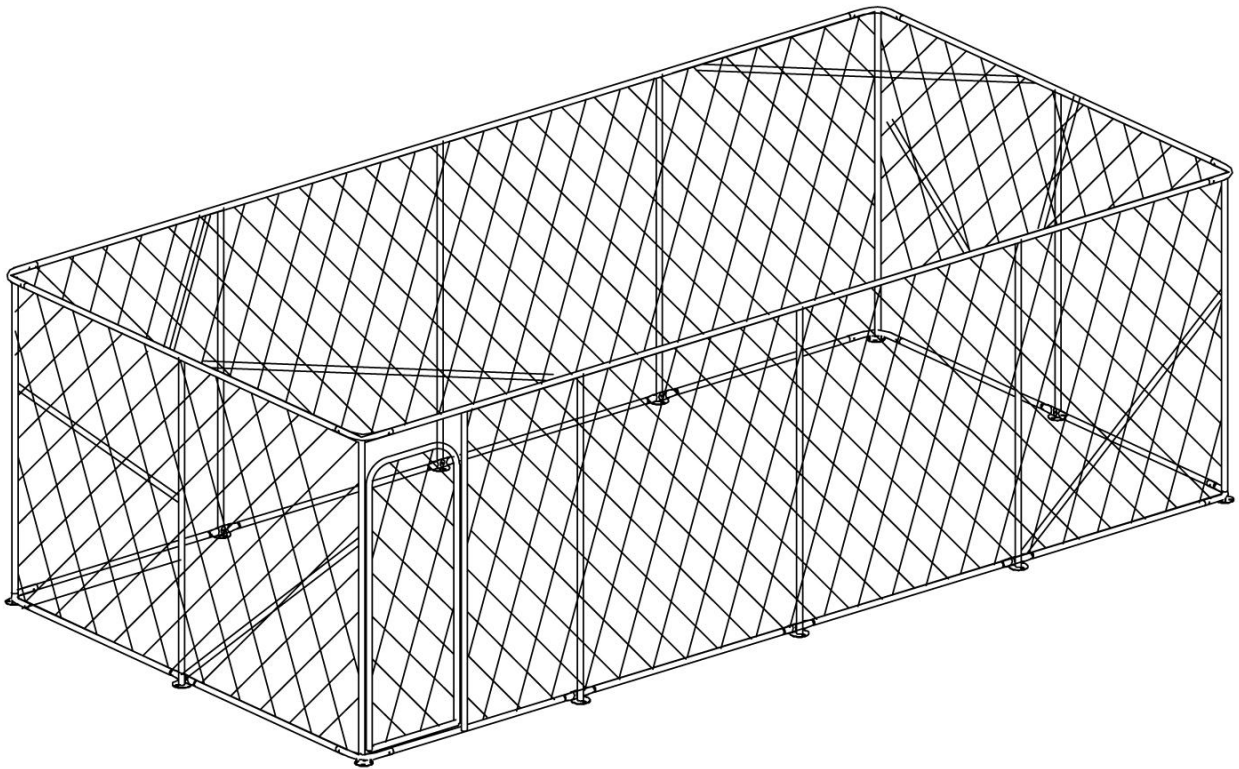


10' X 20' OUTDOOR DOG KENNEL PLAYPEN



⚠ WARNING



- Please read and understand the product manual completely before assembly
- Check against the parts list to make sure all parts are received
- Wear proper safety goggles or other protective gears while in assembly
- Do not return the product to dealer. They are not equipped to handle your requests.

Missing parts or have questions on assembly?

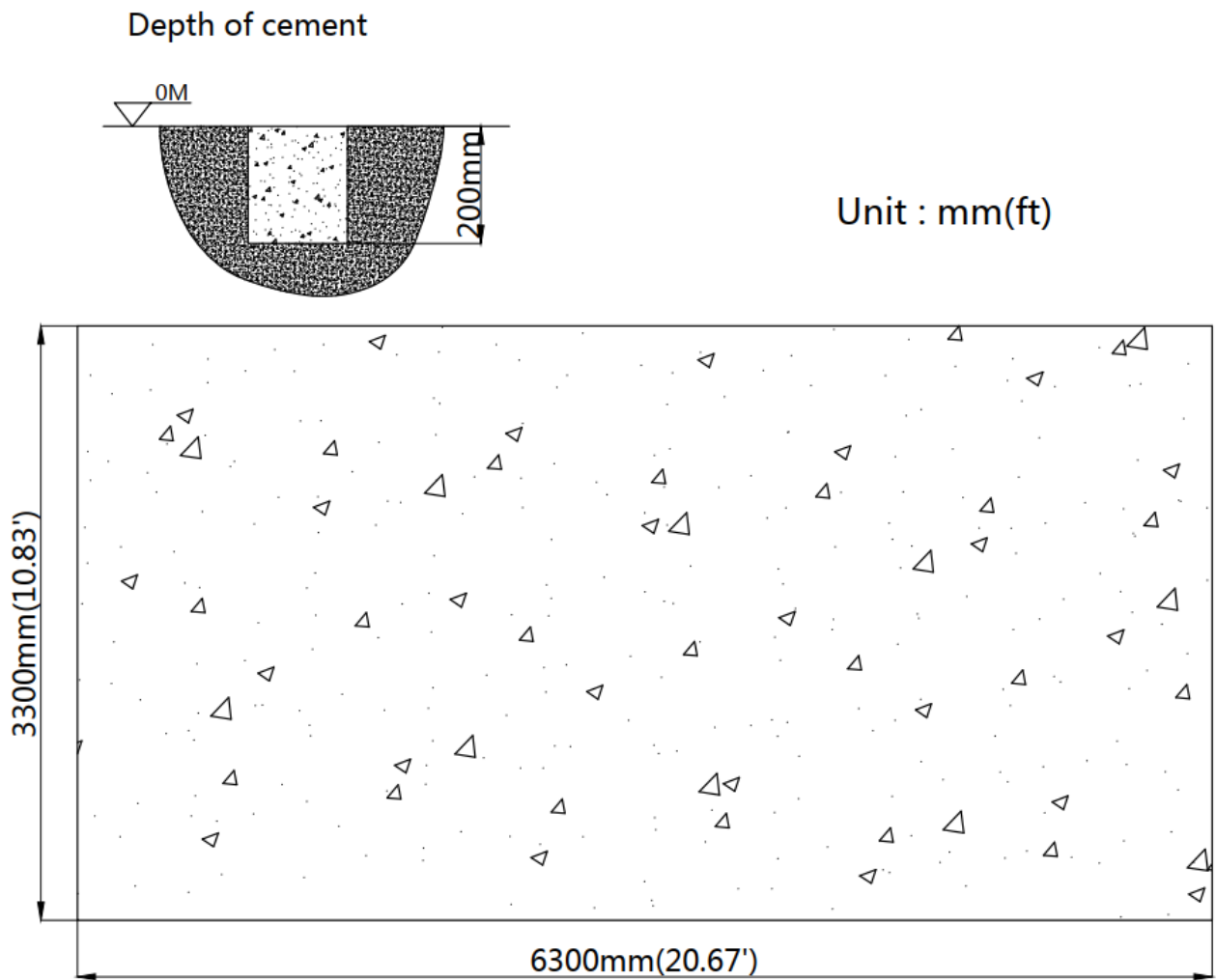
Please call: 1-877-761-2819 or email: cs@tmgindustrial.com

MAIN SPECIFICATIONS :

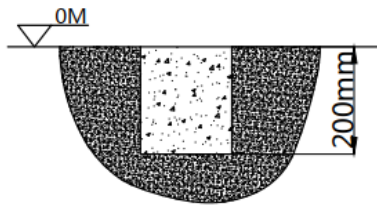
- Overall assembled size : W3 x L6 x H1.85 (m) / 9.84 x 19.69 x 6.1 (ft)
- Front door : 0.65 x 1.8 (m) / W2.13 x H5.9 (ft)

CONCRETE FOUNDATION SIZE SEE BELOW FIGURE.

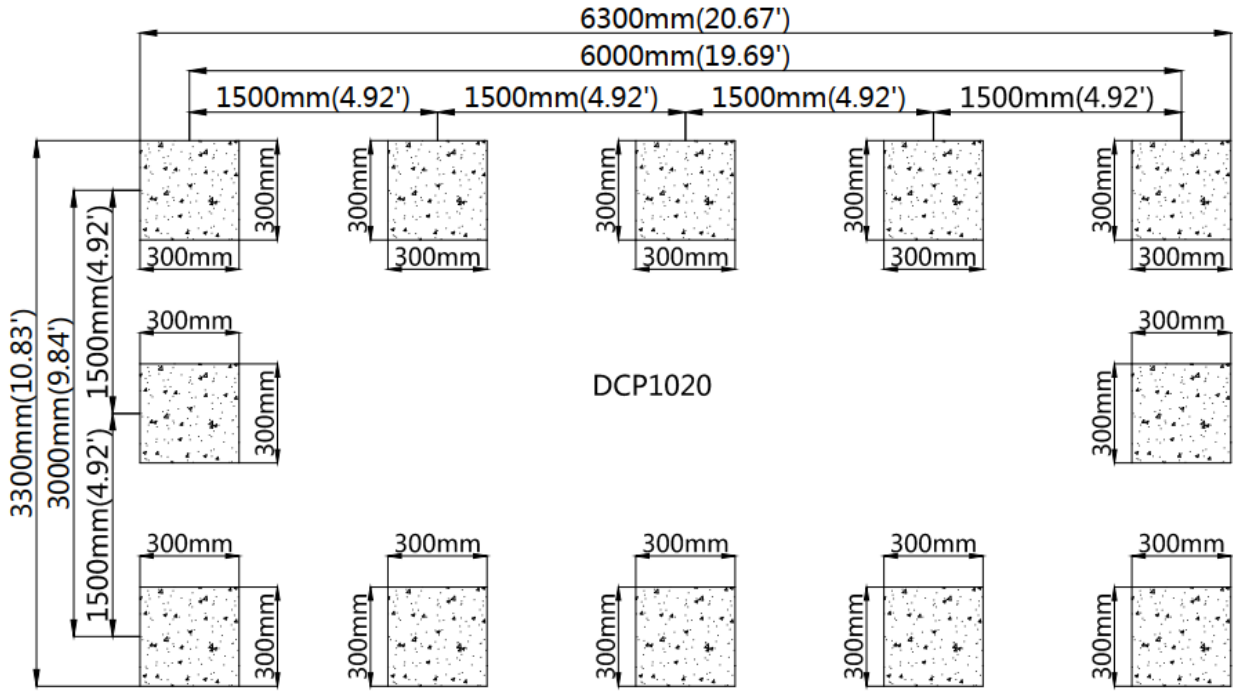
- The layout of foundation (one).



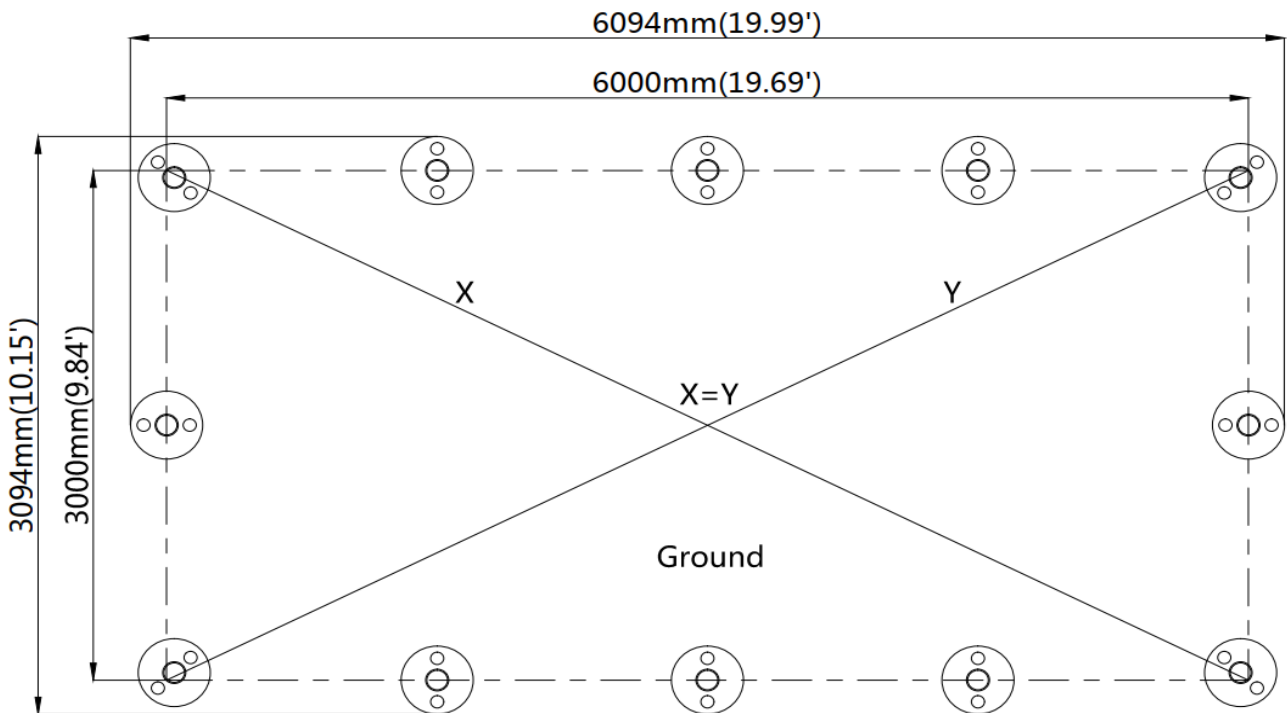
- The layout of foundation(two).



Note: The ground anchor is installed on the cement block.



- Baseplate layout.



PRIOR TO ASSEMBLY.

Please read the instructions carefully before installation. It is important to follow your local safety regulations and industry standards during installation. Regulations may include but are not limited to :

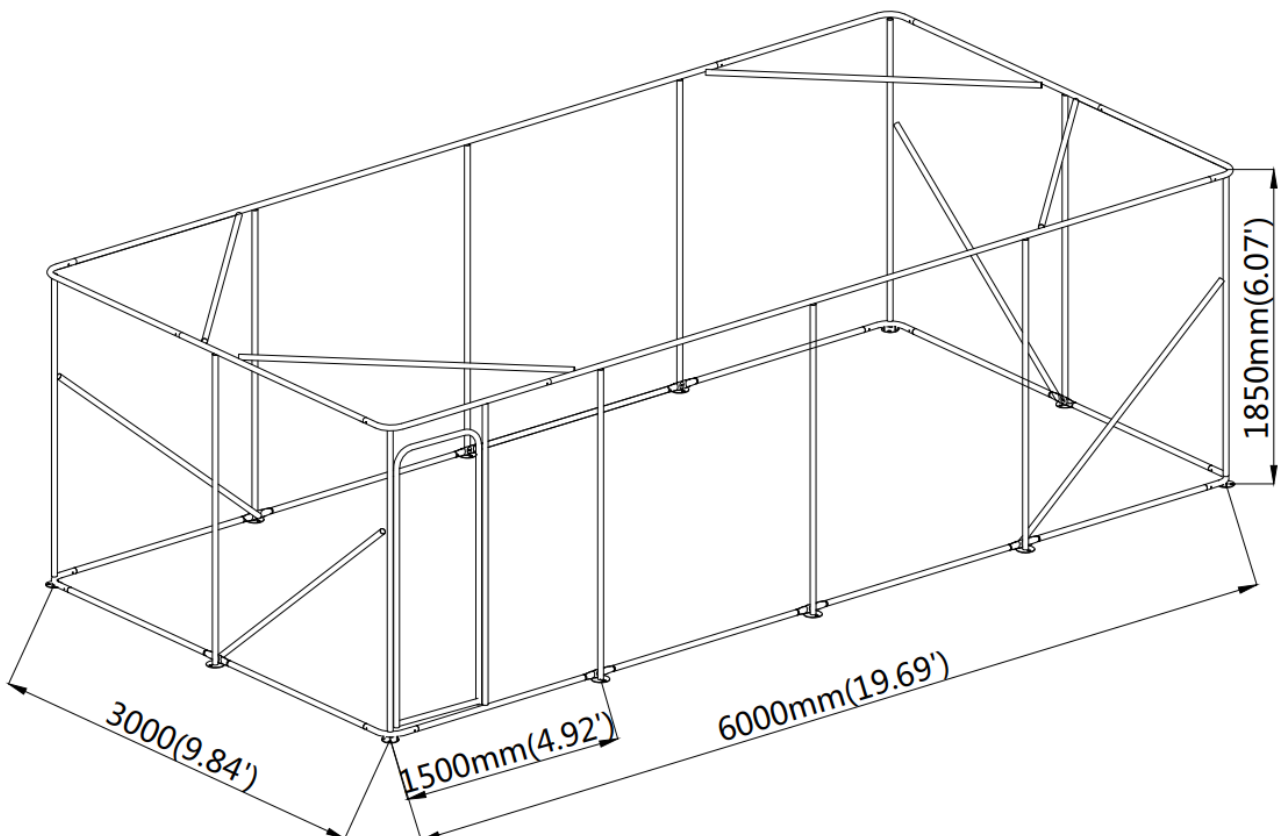
- Safety helmets, protective eyewear, and clothing
- Safety harnesses for all elevated workers
- Proper ladder, cage, and safety operation

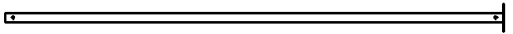
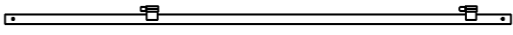

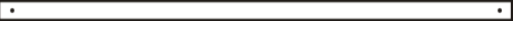

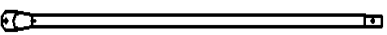







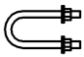
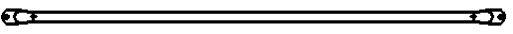
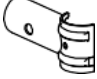
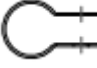
Check all components and parts before installation. All parts are marked with a part number, please refer to the parts list to make sure you have all parts.




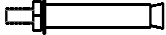
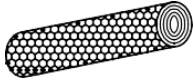






Choose a day with low or no wind to install, assembly is hard in heavy wind. Do not make any alterations to the structure. Do not hang any weights on the frame during installation, including parts. We are not responsible for any damages or injuries caused by inappropriate installation, unauthorized modifications or extreme weather.

This building is not intended for human occupancy.

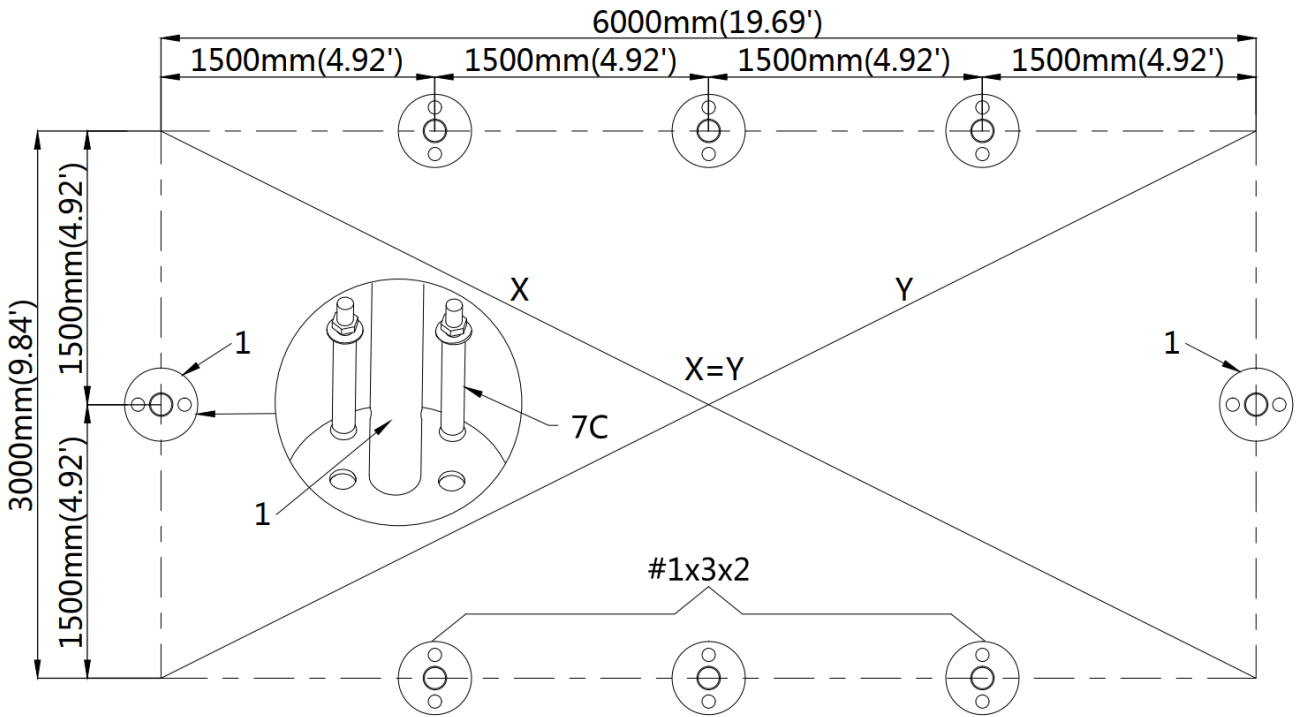
FRAME STRUCTURE DIAGRAM.



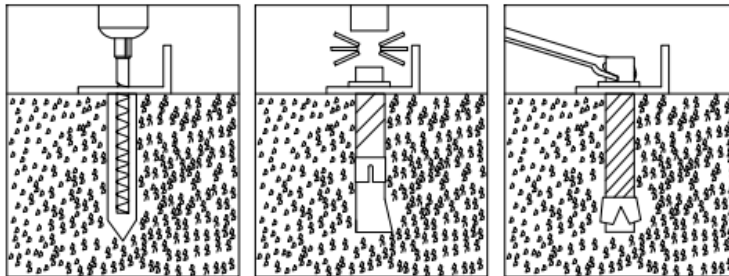
PARTS CODE	GRAPHICAL	DESCRIPTION	LENGTH	QTY
1		Column tube	L1828mm	8
1A		Door framecolumn tube	L1776mm	1
1B		Door framecolumn tube	L1776mm	1
1C		Column tube	L1776mm	3
2		Lower horizontal pull tube	L1530mm	4
2A		Lower horizontal pull tube	L1392mm	8
2B		Upper curved tube	L1277mm	4
2C		Upper horizontal pull tube	L1561mm	8
3		Connecting pipe	L200mm	4
4A		Door bend tube	W594xL1626mm	1
4B		Door support tube	L528mm	1
4C		Round bar	L1500mm	2
4D		Locking ring	L110mm	1
4E		U-bolt	L51mm	2
5		Oblique fixed tube	L1860mm	8
6		Pipe clamp	φ32xL93mm	40
6A		Tube clamp	φ32	12


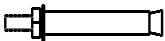
7		Half round headbolt	M6x45mm	40
7A		Half round headbolt	M6x60mm	8
7B		Hex bolt	M10x30mm	12
7C		Expansion bolts	φ14x100mm	24
8		Wire mesh	W1850xL18000mm	1
8A		Wire mesh	W600xL1650mm	1
9		Wire rope	L3200mm	4
10		Round bar	L1830mm	2
11		Self tapping screw	#12x25mm	21
12		Stainless steel cable tie	W4.6xL200mm	378
13		Hex wrench	φ4mm	1

STEP 1 : COLUMN INSTALLATION.

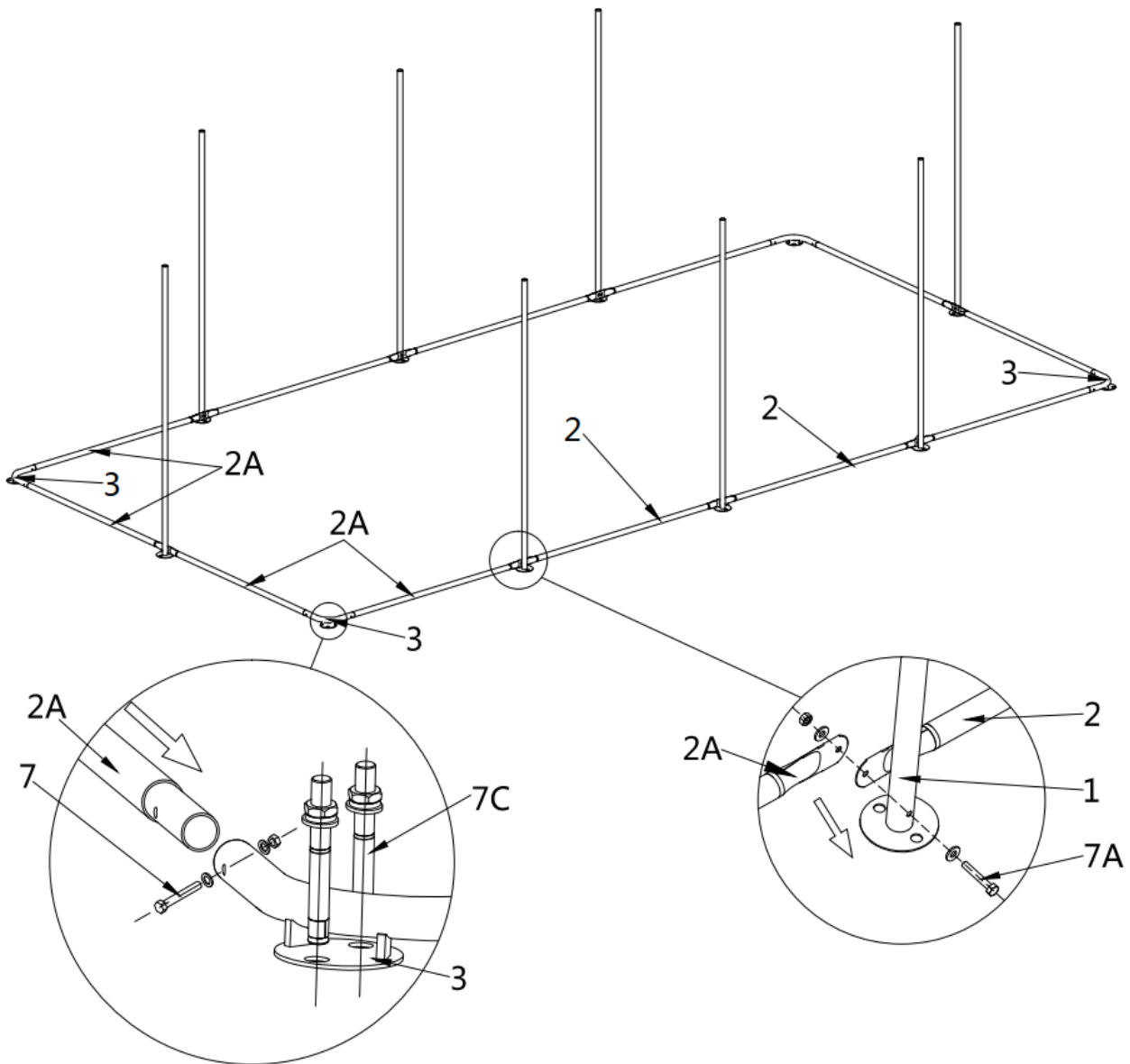



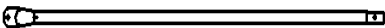

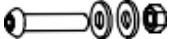

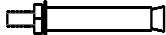
- Installation diagram of expansion bolt.



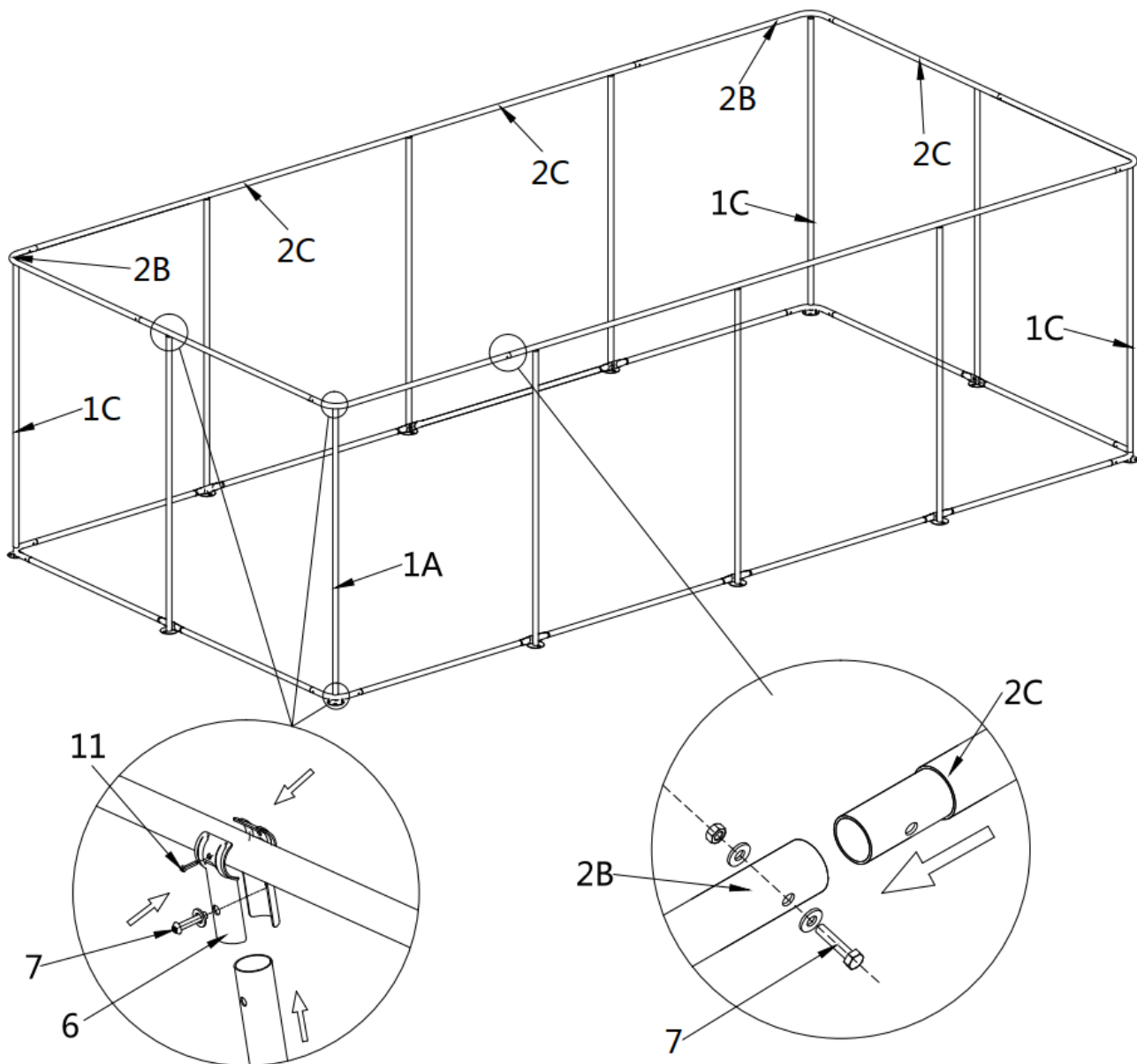
NO.	PART	QTY
1		8
7C		16

STEP 2 : ASSEMBLE THE BOTTOM HORIZONTAL PIPE.



NO.	PART	QTY
2		4
2A		8
3		4
7		8
7A		8
7C		8

STEP 3 : ASSEMBLE THE TOP HORIZONTAL PIPE.

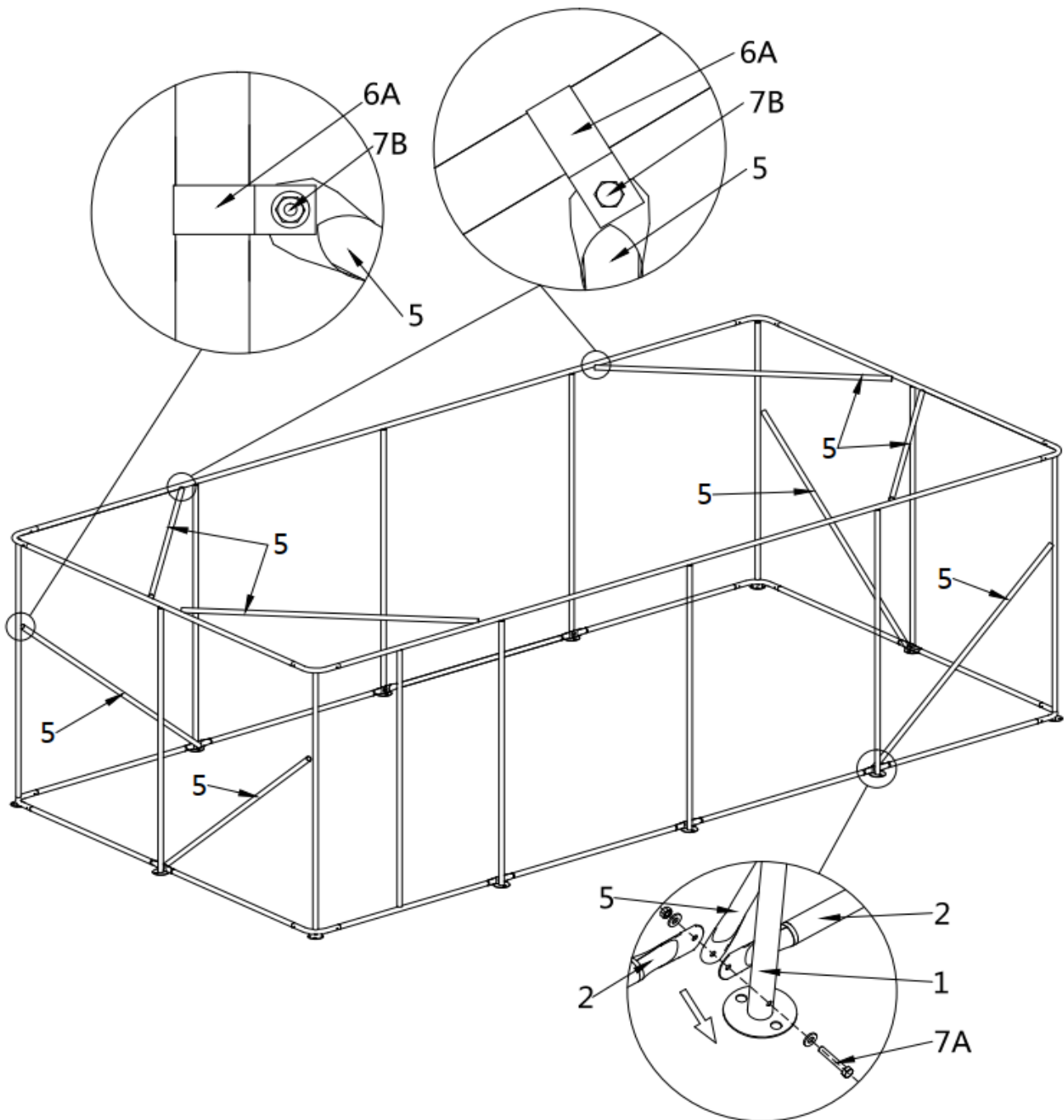


NO.	PART	QTY
1A		1
1C		3
2B		4
2C		8

NO.	PART	QTY
6		32
7		28
11		16

STEP 4 : INSTALL THE SUPPORT ROD.

It is advisable to clamp the bottom of the Oblique fixed tube (# 5) between two flat tube heads.



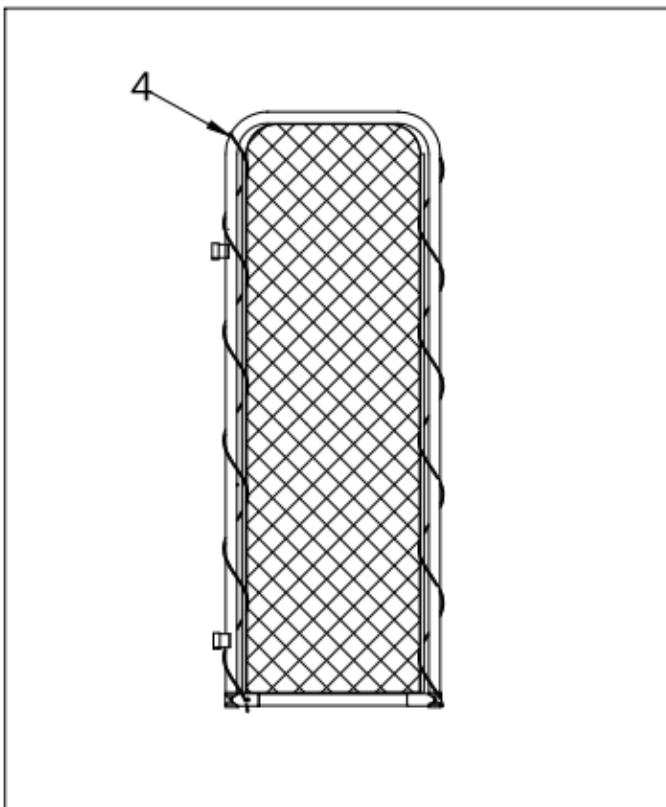
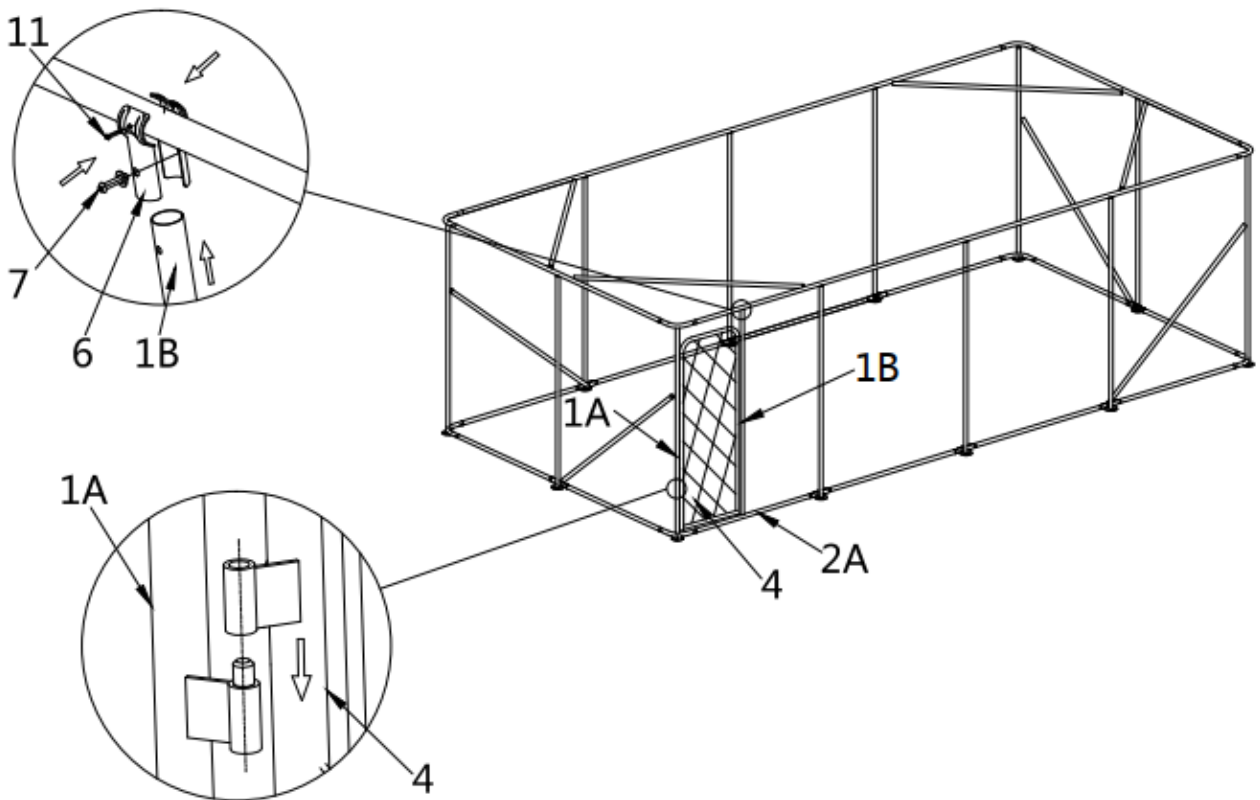
NO.	PART	QTY
5		8
6A		12
7B		12


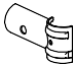
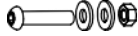

STEP 5 : ASSEMBLE THE DOOR.

After installation, the number is # 4.

NO.	PART	QTY
4A		1
4B		1
4C		2
6		4
7		2
8A		1
9		2
11		2
12		8

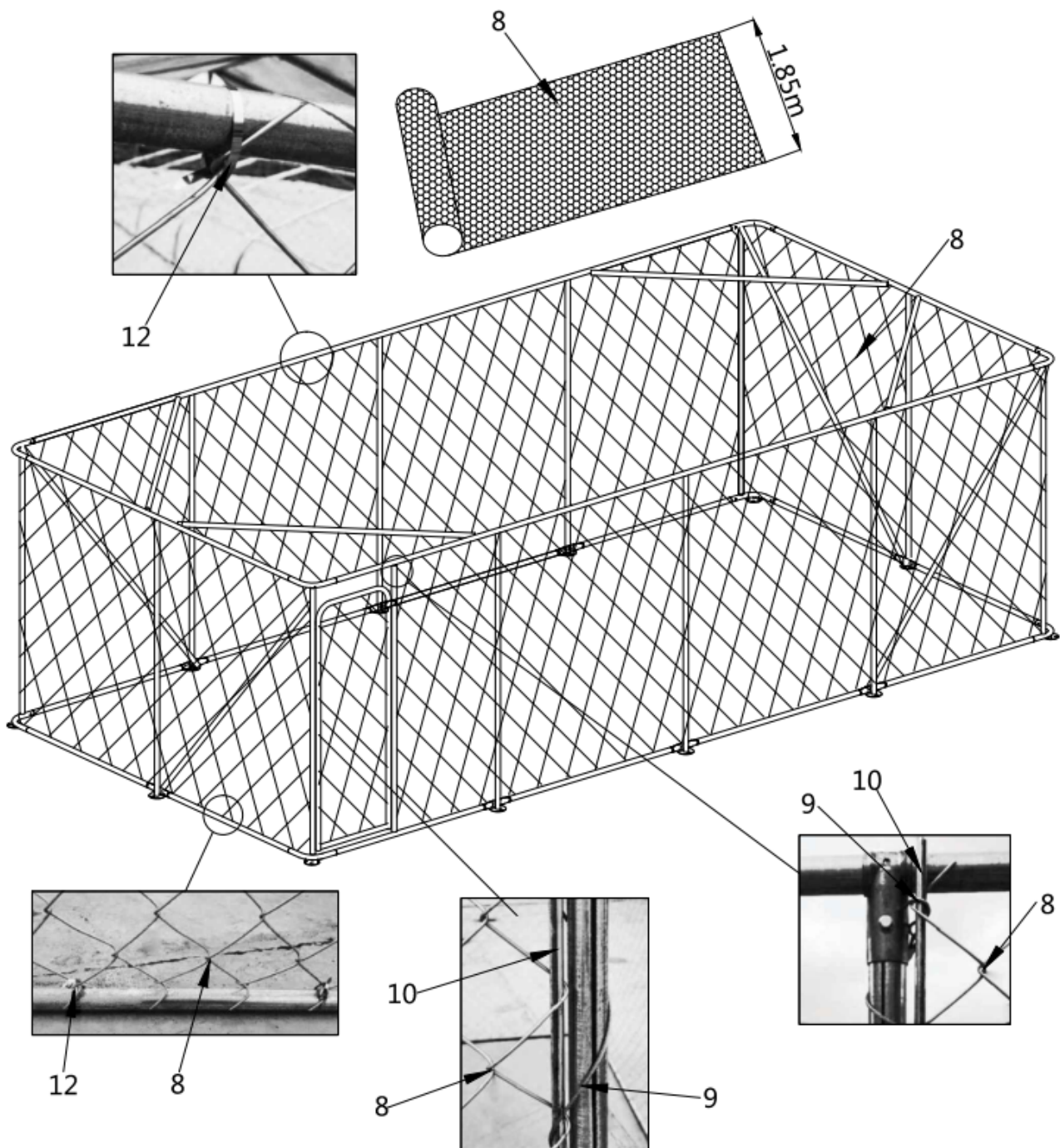
STEP 6 : INSTALL THE DOOR.

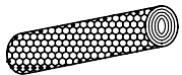





NO.	PART	QTY
1B		1
6		4
7		2
11		2

STEP 7 : INSTALLATION OF WIRE MESH.

Stainless steel tie (# 12) installation spacing 200mm (0.66').

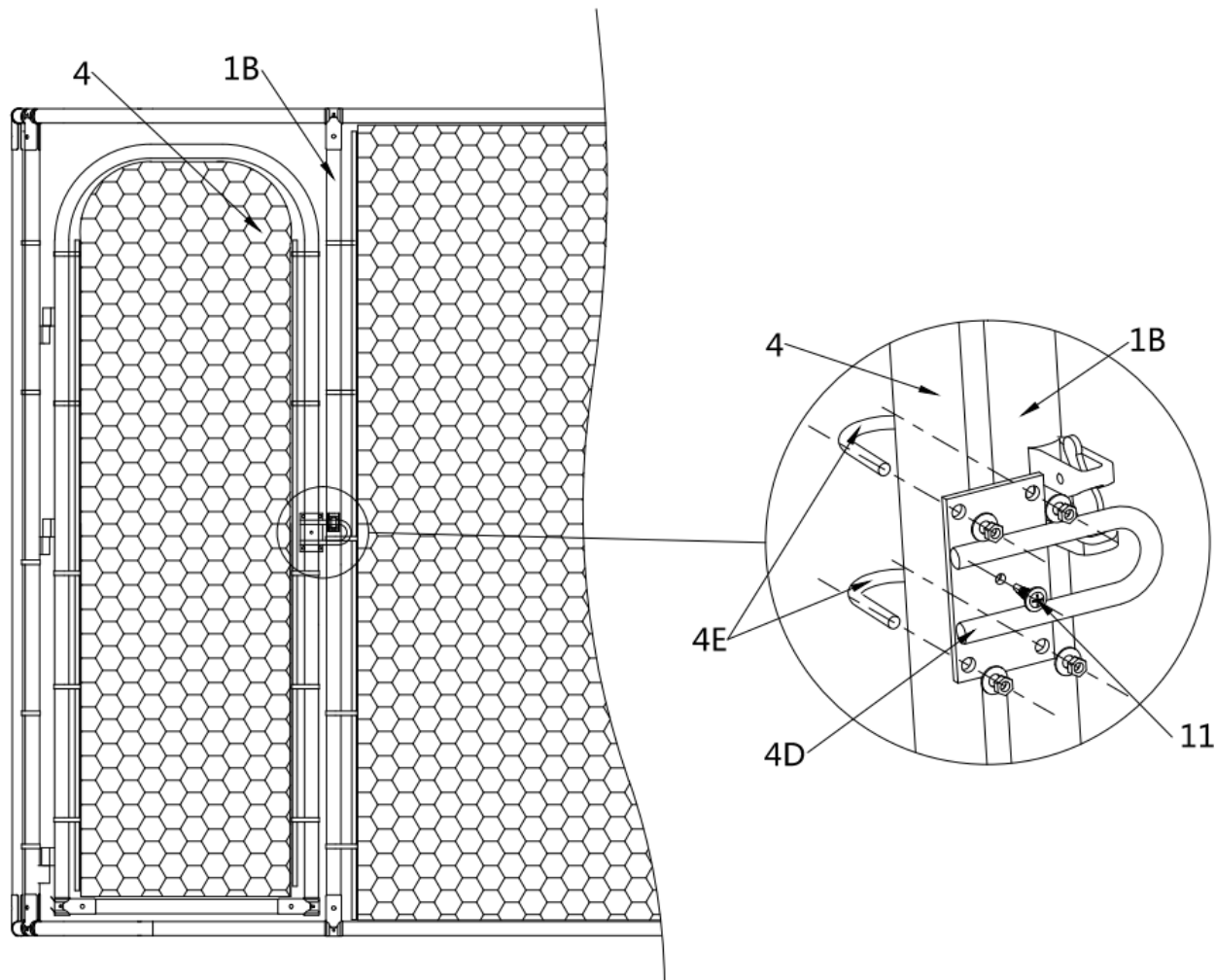





NO.	PART	QTY
8		1
9		2

NO.	PART	QTY
10		2
12		370

STEP 8 : INSTALL THE LOCKING RING.

Adjust the height of the lock ring (# 4D) to ensure that it fits with the lock buckle, and use self tapping screws (# 11) to fix the position of the lock ring.



NO.	PART	QTY
4D		1
4E		2
11		1

AFTER THE INSTALLATION.

Walk around and inspect the dog cage playpen periodically to make sure all components are still firmly secured and the whole shelter is well supported. Check all bolts and nuts as well as all connection points to make sure they are all in good position.