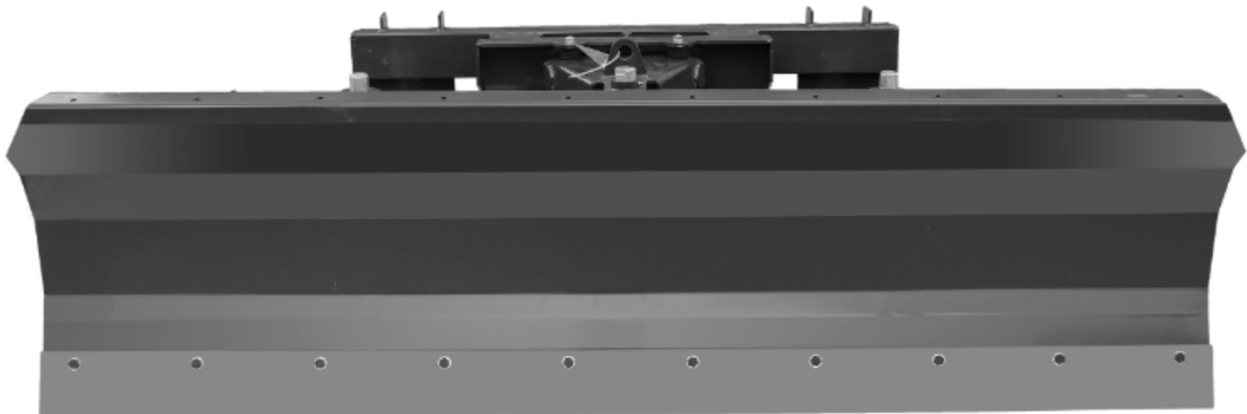


86"/94" Dozer Blade

Model:TMG-DB86/94



- Please read the product manual completely before assembly
- Check against the parts list to make sure all parts are received
- Wear proper safety goggles or other protective gears while in assembly

Missing parts or questions on assembly?

Please call: 1-877-761-2819 or email: cs@tmgindustrial.com

Do not return the product to dealer, they are not equipped to handle your requests

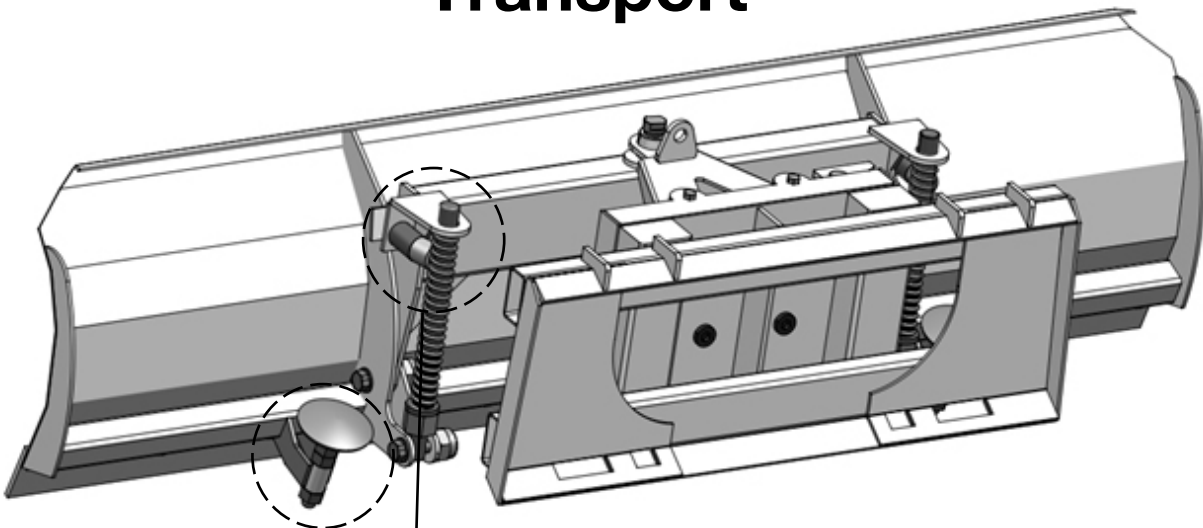
Model	TMG-DB86	TMG-DB94
Working Width	86"	94"
Tare Weight	506lbs	528lbs
Power Required	MIN. 30HP	

!IMPORTANT!!

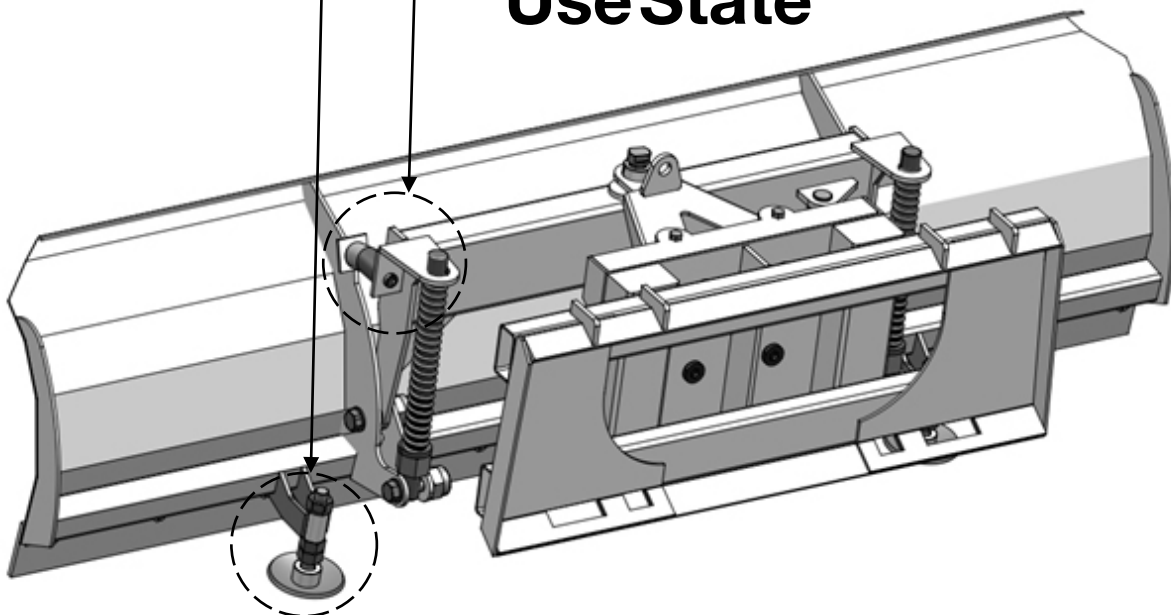
1 . The rubber bumper is attached in shipping mode. Before using this product, remove the rubber bumper from the spring rod flange. Re-attach on the opposite side of the flange. The bumper is used to absorb the shock when the blade returns to normal position after tripping.

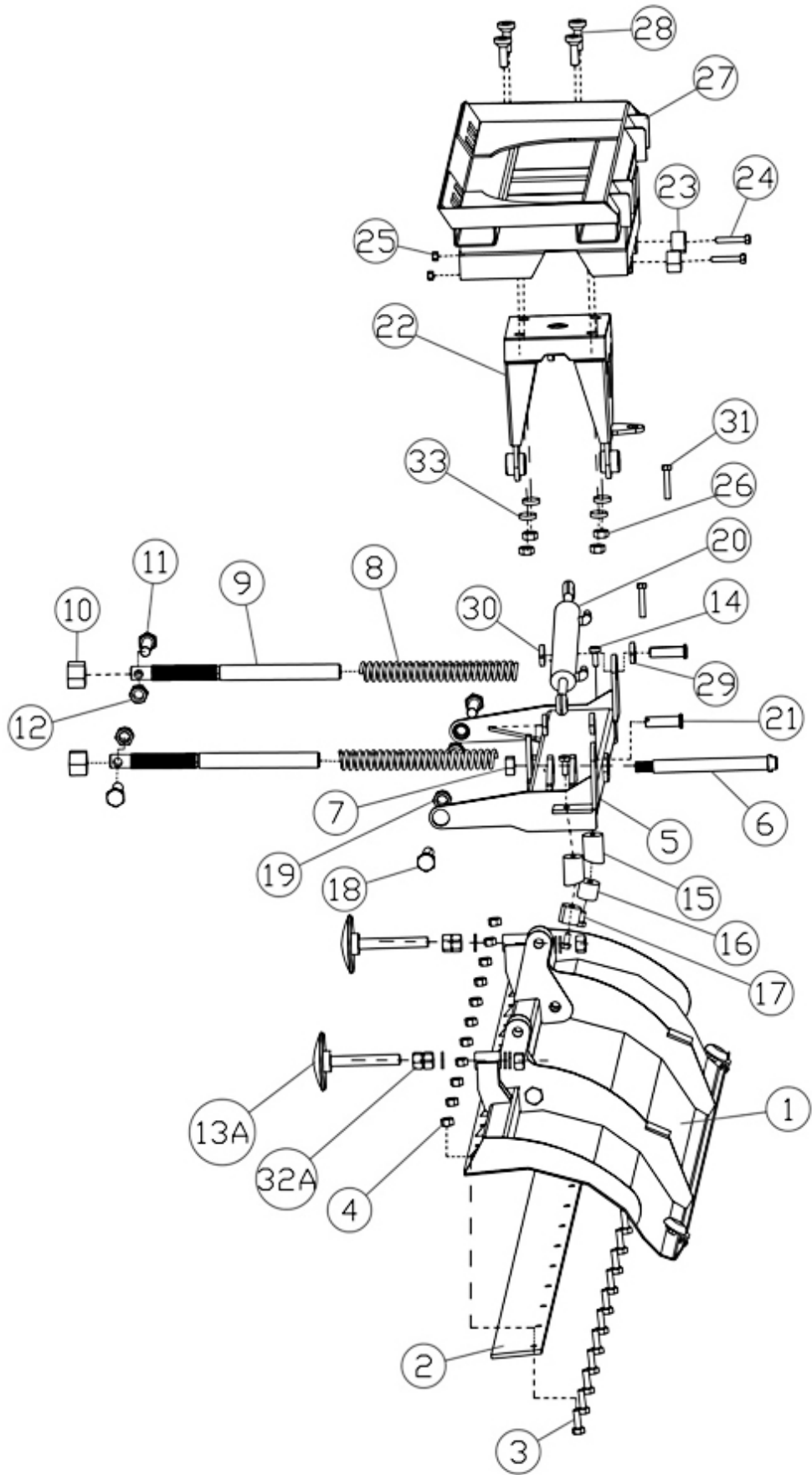
2. The limiting device is connected by means of transportation. Before using this product, please remove the limiting device and then re install it to the other end of the flange.

Transport



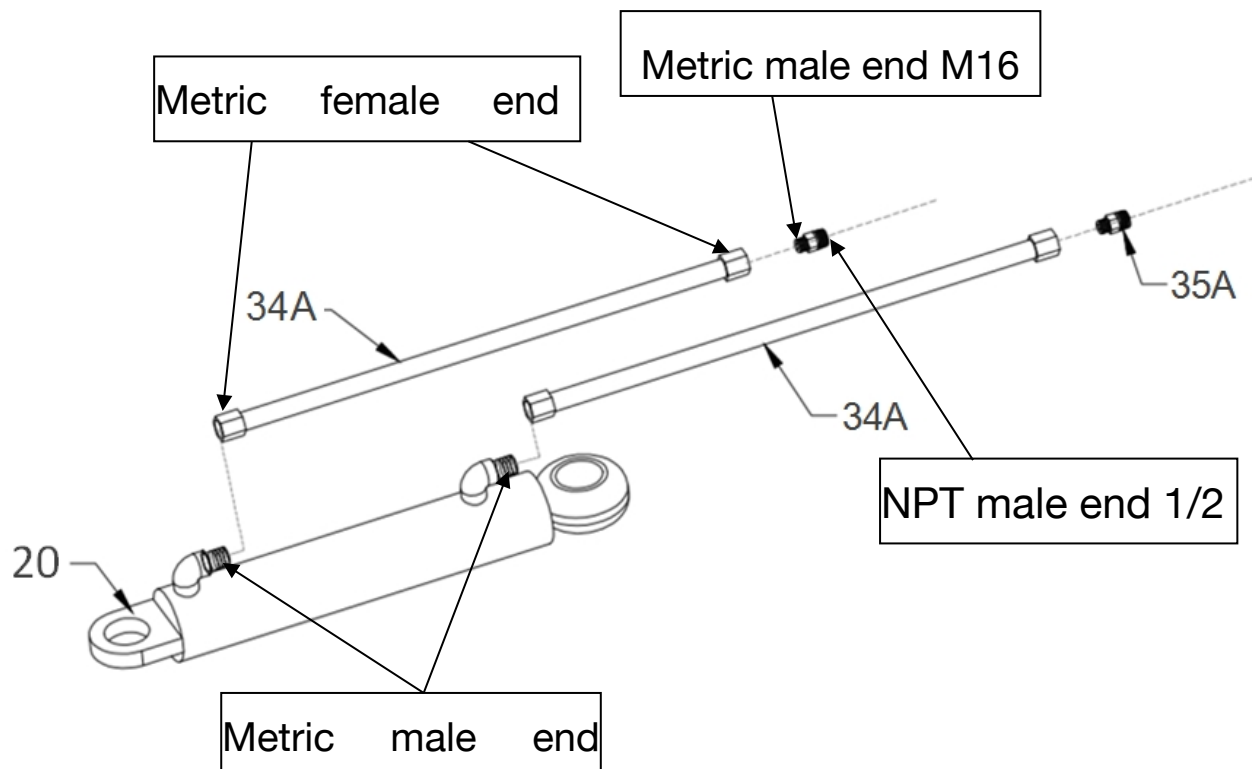
Use State





94"/86" Skid Steer Blade Part List

Part Number	Description	Specifications/models	Qty
1	Blade	XC-001	1
2	Blade Edge	t10mmx120mmx(2m/2.2m/2.4m)	1
3	Bolt	M12x40 (8.8)	11
4	Self Lock Nut	M12	11
5	Bracket	XC-002	1
6	Connecting rod	XC-1-14	1
7	Self Lock Nut	M24	2
8	Spring	XC-1-5	2
9	Spring Rod	φ36x500	2
10	Nut	m36	2
	Gasket	φ40xt11	2
11	Bolt	M20x90 (8.8)	2
12	Self Lock Nut	M20	2
	Gasket	φ20x2	4
13A	Skid Shoe	XC-1-16	2
14	Bolt	M12x25	2
15	Buffer block	XC-1-15	2
16	Buffer glue	φ12x45x25	2
17	Flat head bolt	M12x30	2
18	Bolt	M24x100	2
19	Self Lock Nut	M24	2
	Gasket	φ25x2	2
20A	Hydraulic cylinder	50x60x200	1
21	Pin shaft	φ24x82	2
22	Triangulum	XC-004	1
23	bumper	φ12x45x23	2
24	Bolt	M10x35	2
25	Nut	M10	2
26	Self Lock Nut	M16	4
27	Connecting rack	XC-003	1
28	Flat head bolt	M16x60 (8.8)	4
29	Gasket	φ25	4
30	Gasket	φ25	2
31	Lock pin	φ 4x50	2
32A	Nut	M24	6
33	Gasket	φ 17x φ 35x8mm	2



34A	Hydraulic Hose	Metric female end M16 ($\Phi 18 \times 2300 \text{mm}$)	2
35A	Conversion connector	Metric male end M16 NPT1/2	2