

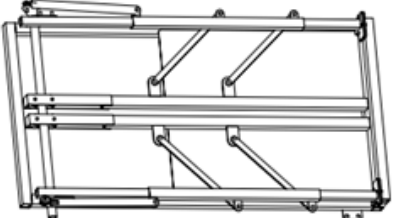
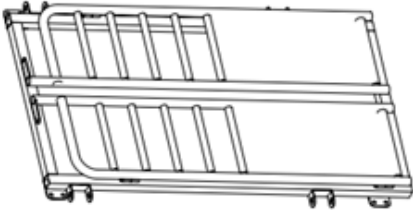
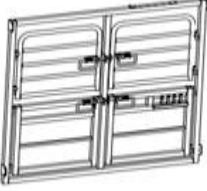






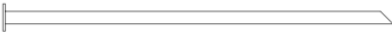
7' CATTLE WORK CHUTE



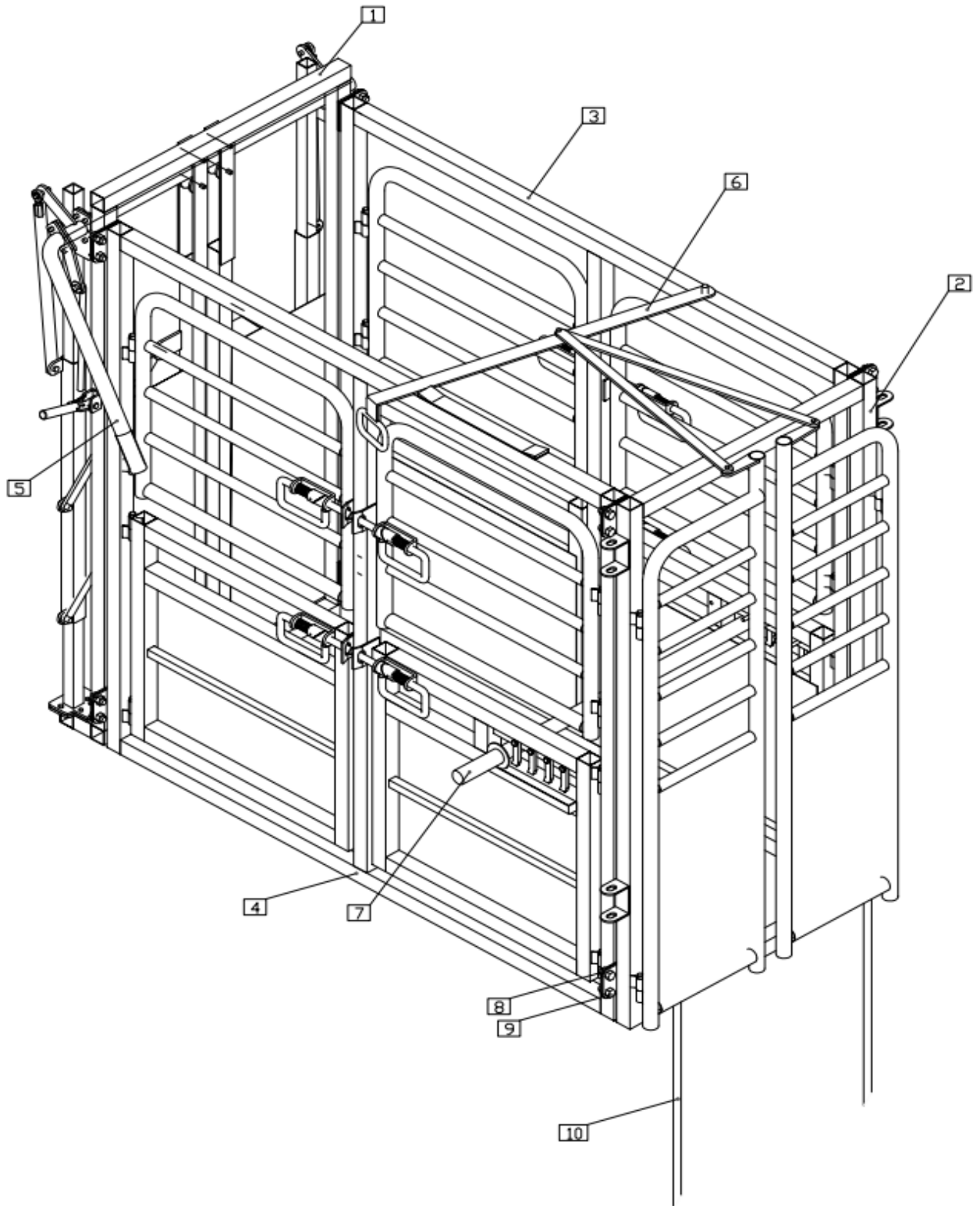
- Please read and understand the product manual completely before assembly
- Check against the parts list to make sure all parts are received
- Wear proper safety goggles or other protective gears while in assembly
- Do not return the product to dealer. They are not equipped to handle your requests.

Missing parts or have questions on assembly?
Please call: 1-877-761-2819 or email: cs@tmgindustrial.com








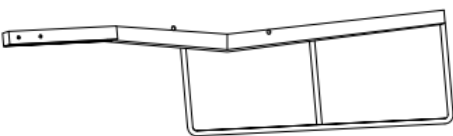








TMG-CSC07 Part List (Picture 1)

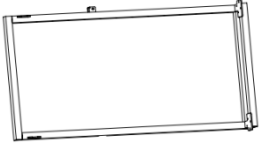




Parts Code	Graphical	Description	Quantity
1		Front Door	1
2		Back Door	1
3		Side Panel (Logo)	1
4		Side Panel	1
5		Front Door Operation Handle	1
6		Back Door Operation Handle	1
7		Anti-reverse tool	1
8		M16 outer hexagonal nut	16
9		M16*35 outer hexagonal bolt	16
10		Reinforced Nails	2

(Picture 1)

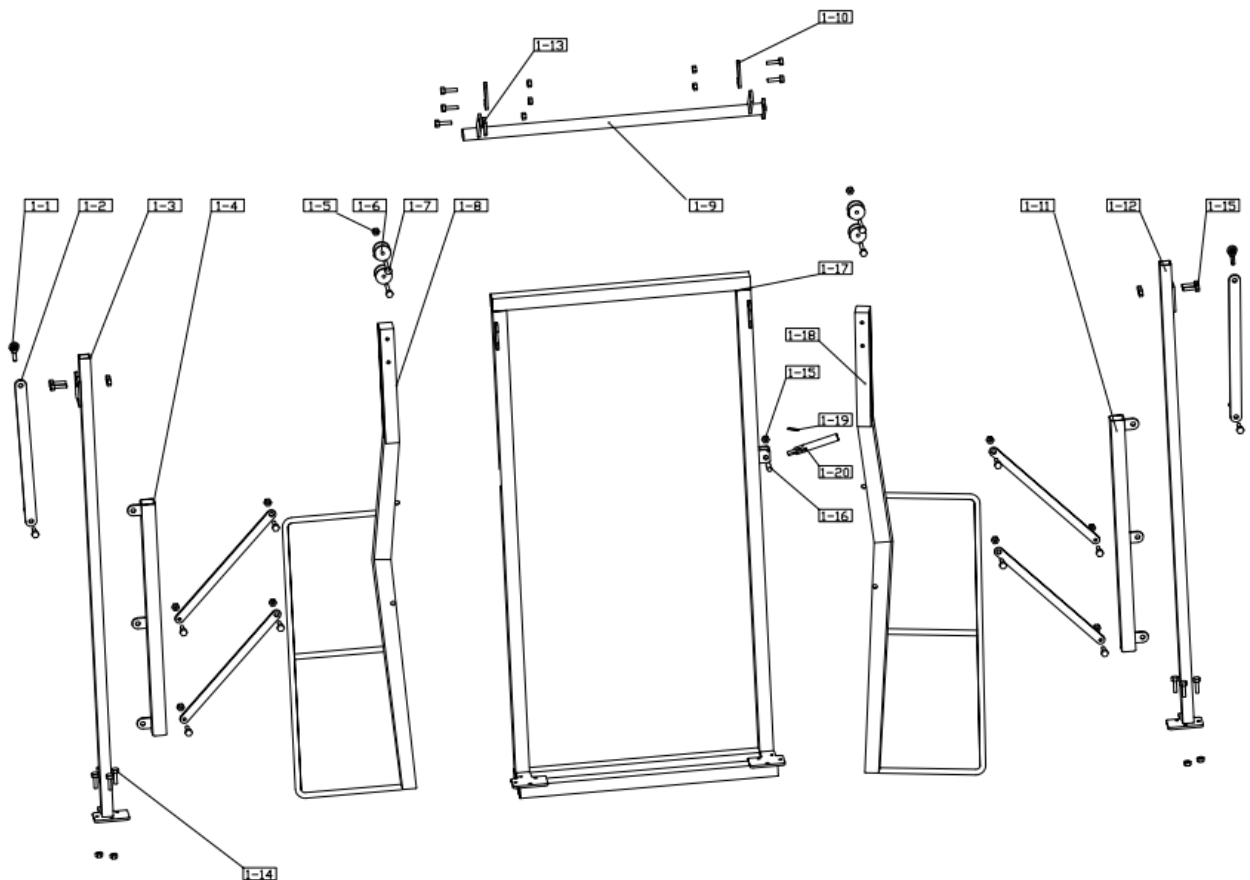


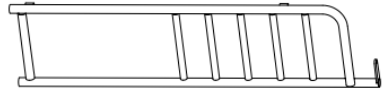
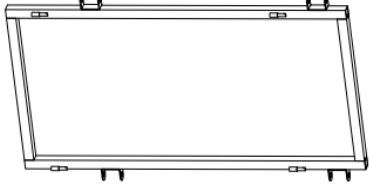
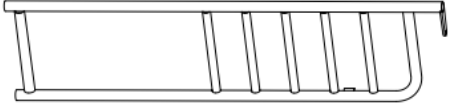

1-Front Door (Picture 2)

Parts Code	Graphical	Description	Quantity
1-1		Fisheye Bolt	2
1-2		Boom	2
1-3		Pillar (Left)	1
1-4		Sliding Pipe (Left)	1
1-5		M10 Nut	34
1-6		Roller	4
1-7		M10*80 Bolt	4
1-8		Sliding Gate (Left)	1
1-9		Transmission Pipe	1
1-10		Connecting plate	4
1-11		Sliding Pipe (Right)	1
1-12		Pillar (Right)	1
1-13		Drive Pipe Fixings	2
1-14		M10*35 Bolt	22
1-15		M10*70 Bolt	4
1-16		M12*70 Bolt	1

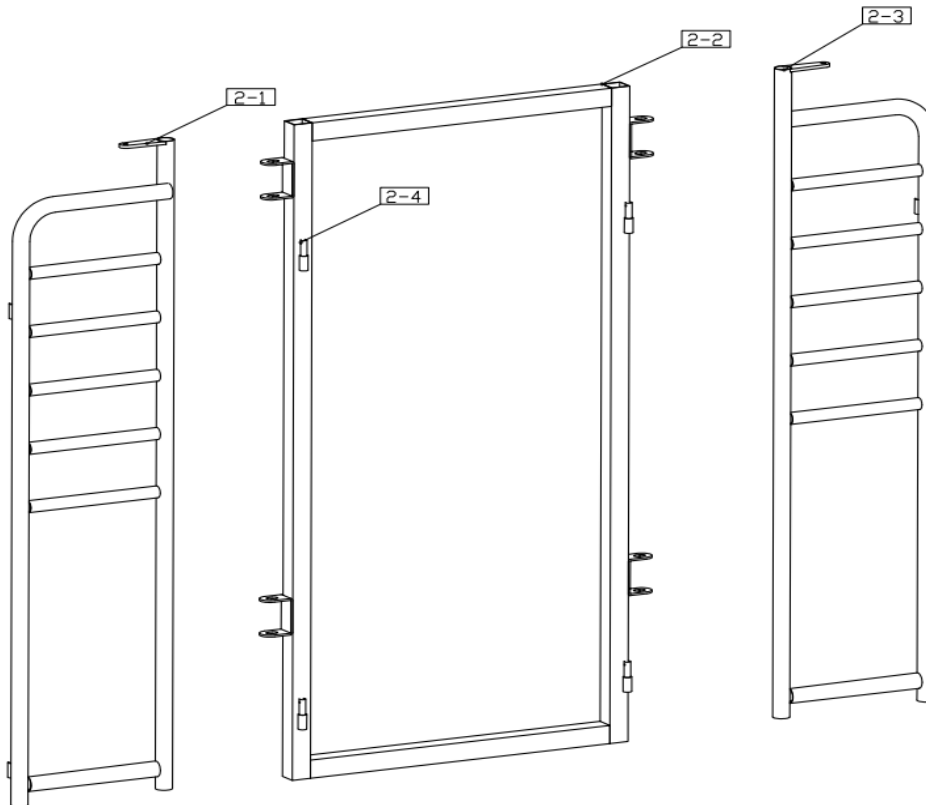
1-17		Door Frame	1
1-18		Sliding Gate(Right)	1
1-19		Tension Spring	1
1-20		Self Locking Handle	1
1-21		M12 Nut	1

(Picture 2)

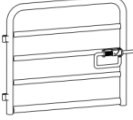

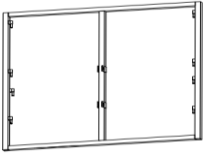

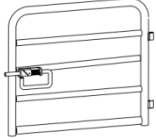



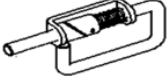
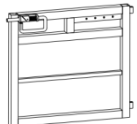


2-Back Door (Picture 3)			
Parts Code	Graphical	Description	Quantity
2-1		Back Door (Left)	1
2-2		Door Frame	1
2-3		Back Door (Right)	1
2-8		Cotter Pin	4

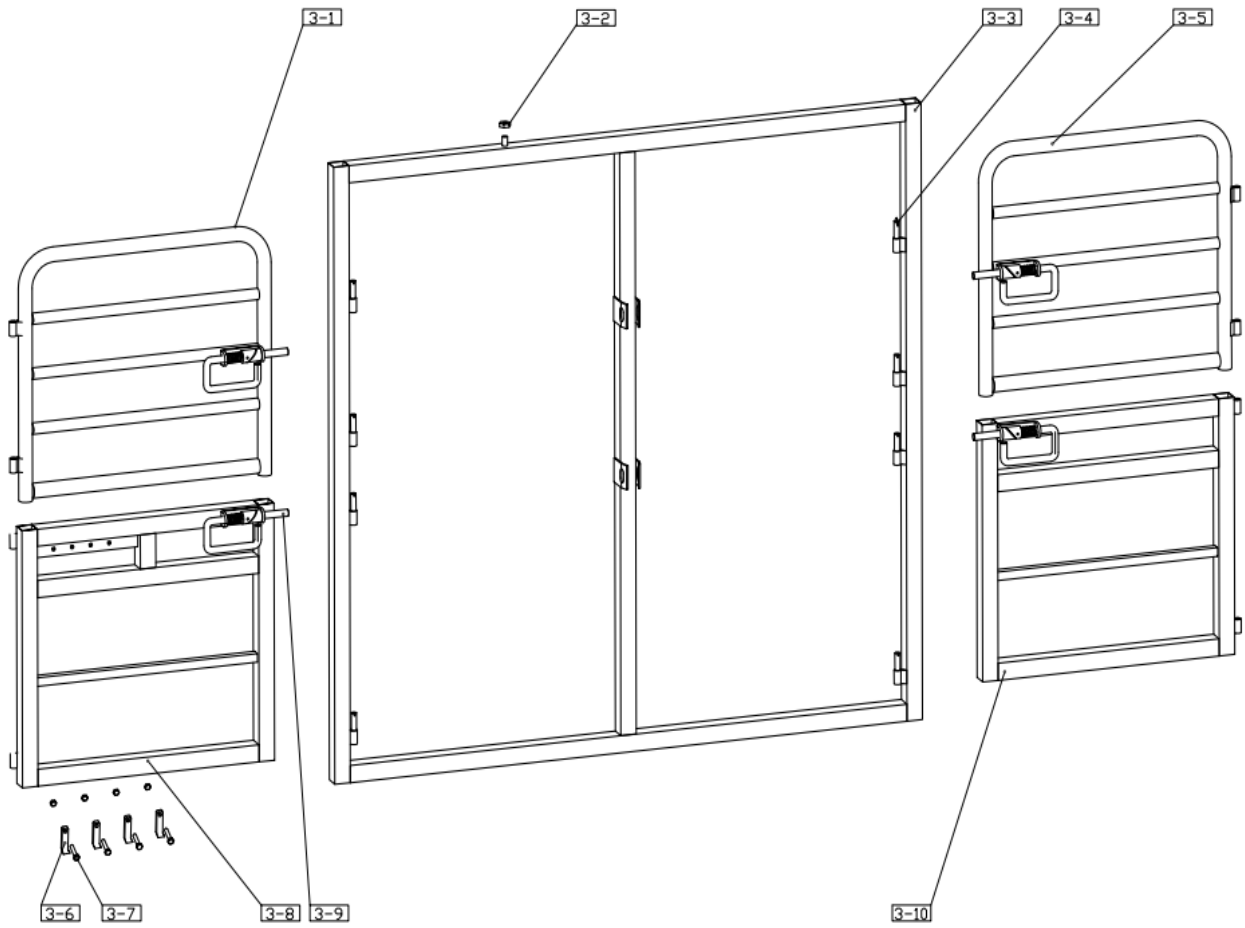
(Picture 3)

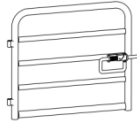
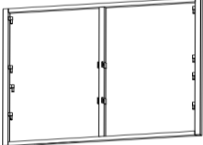




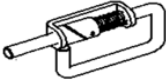






3-Side Panel (Logo) (Picture 4)

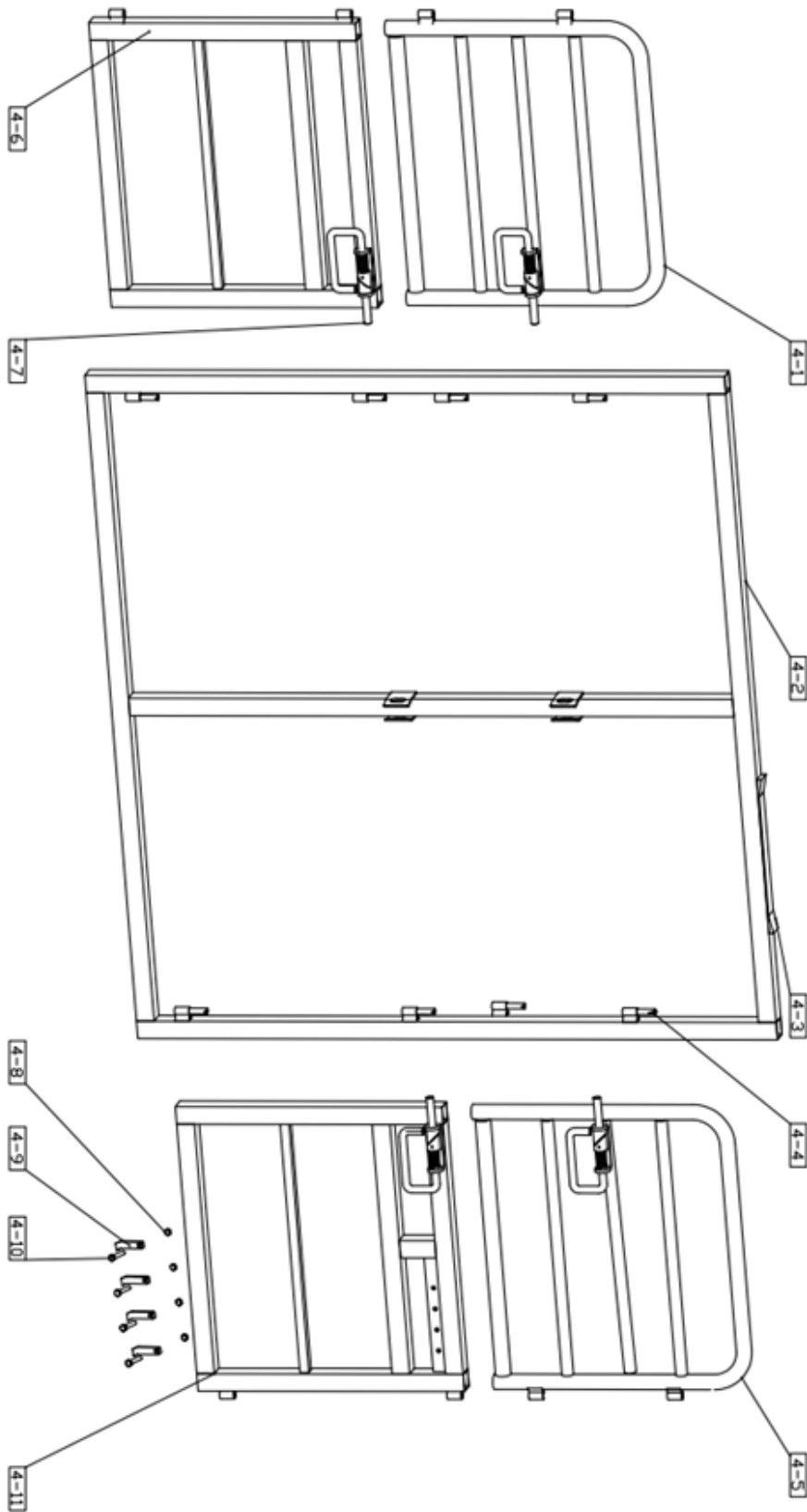
Parts Code	Graphical	Description	Quantity
3-1		Upper Gate (1)	1
3-2		M10 Nut	5
3-3		Right Frame	1
3-4		Cotter Pin	8
3-5		Upper Gate (2)	1
3-6		Arresting Stop	4
3-7		M10*35 Bolt	4
3-8		Lower Gate (1)	1
3-9		P-Lock	4
3-10		Lower Gate (2)	1

(Picture 4)








4-Side Panel (Picture 5)			
Parts Code	Graphical	Description	Quantity
4-1		Upper Gate ③	1
4-2		Left Frame	1
4-3		Locking Black	1
4-4		Cotter Pin	8
4-5		Upper Gate (4)	1
4-6		Lower Gate (3)	1
4-7		P-Lock	4
4-8		M10 Nut	1
4-9		Arresting Stop	4
4-10		M10*35 Bolt	4
4-11		Lower Gate (4)	1

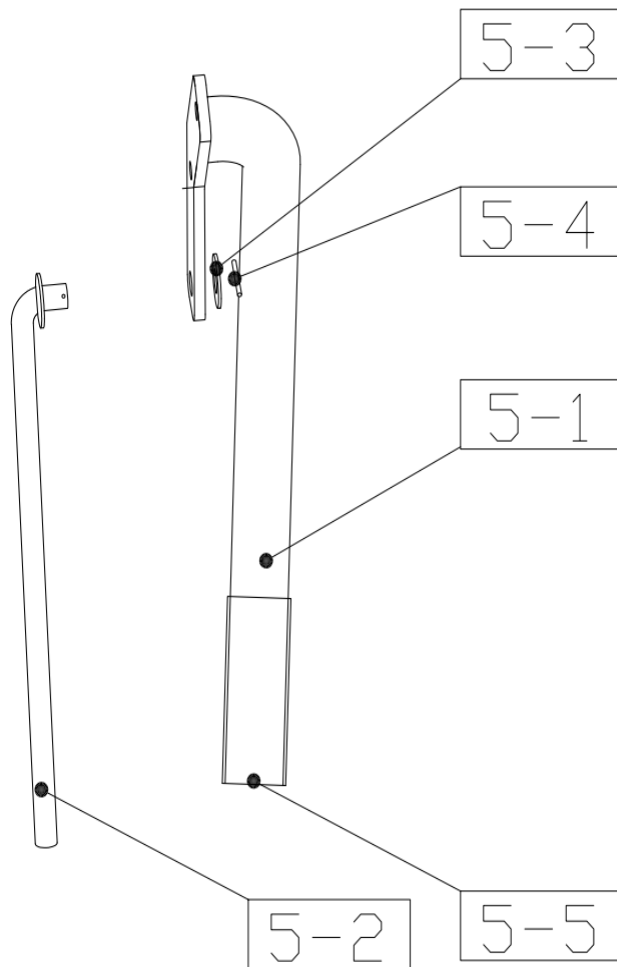
Picture 5








5-Front Door Operation Handle (Picture 6)

Parts Code	Graphical	Description	Quantity
5-1		Handle Elbow	1
5-2		Sliding Limit Lever	1
5-3		M16 Flat Washer	1
5-4		Cotter Pin	1
5-5		Rubber handle Grip	1

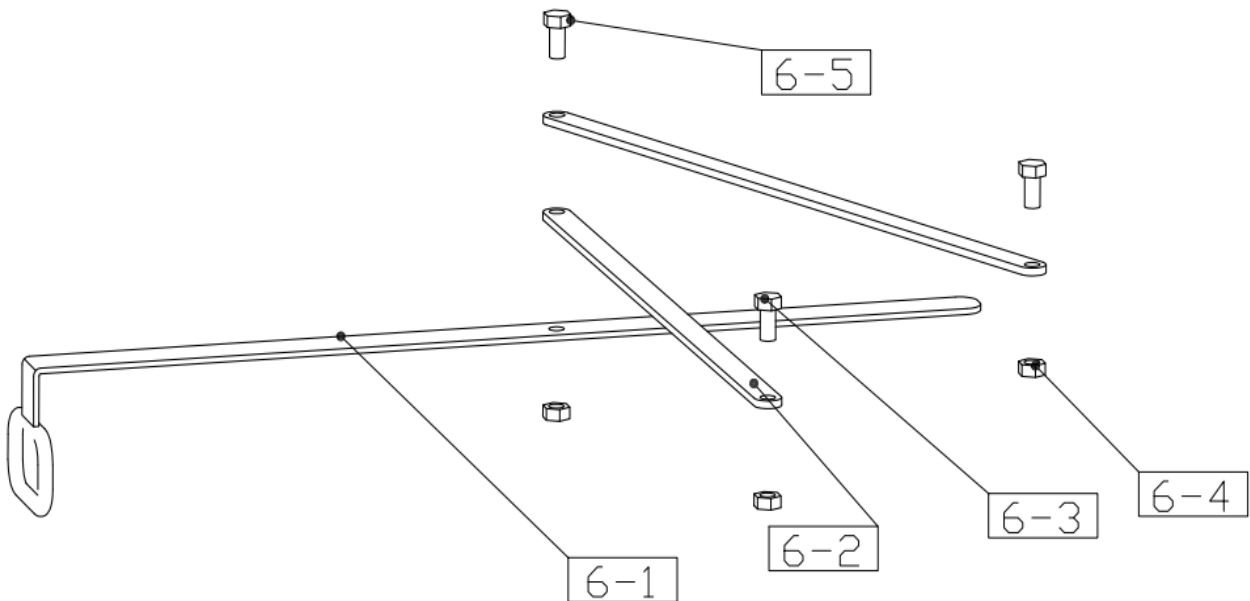
(Picture 6)



6- Back Door Operation Handle (Picture 7)

Parts Code	Graphical	Description	Quantity
6-1		Handle Main Rod	1
6-2		Handle Support Rod	2
6-3		M10*35 Bolt	2
6-4		M10 Nut	4
6-5		M10*60 Bolt	1

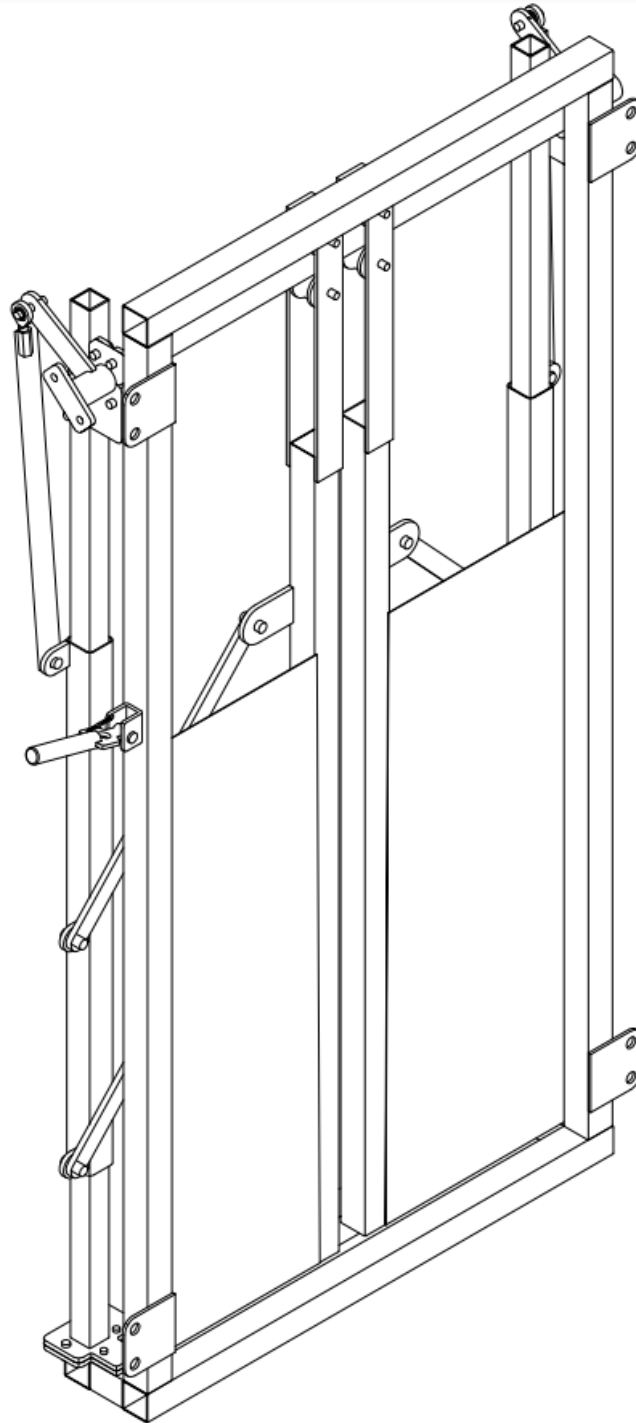
(Picture 7)



Installation steps 1

Select a flat ground and place the front door first

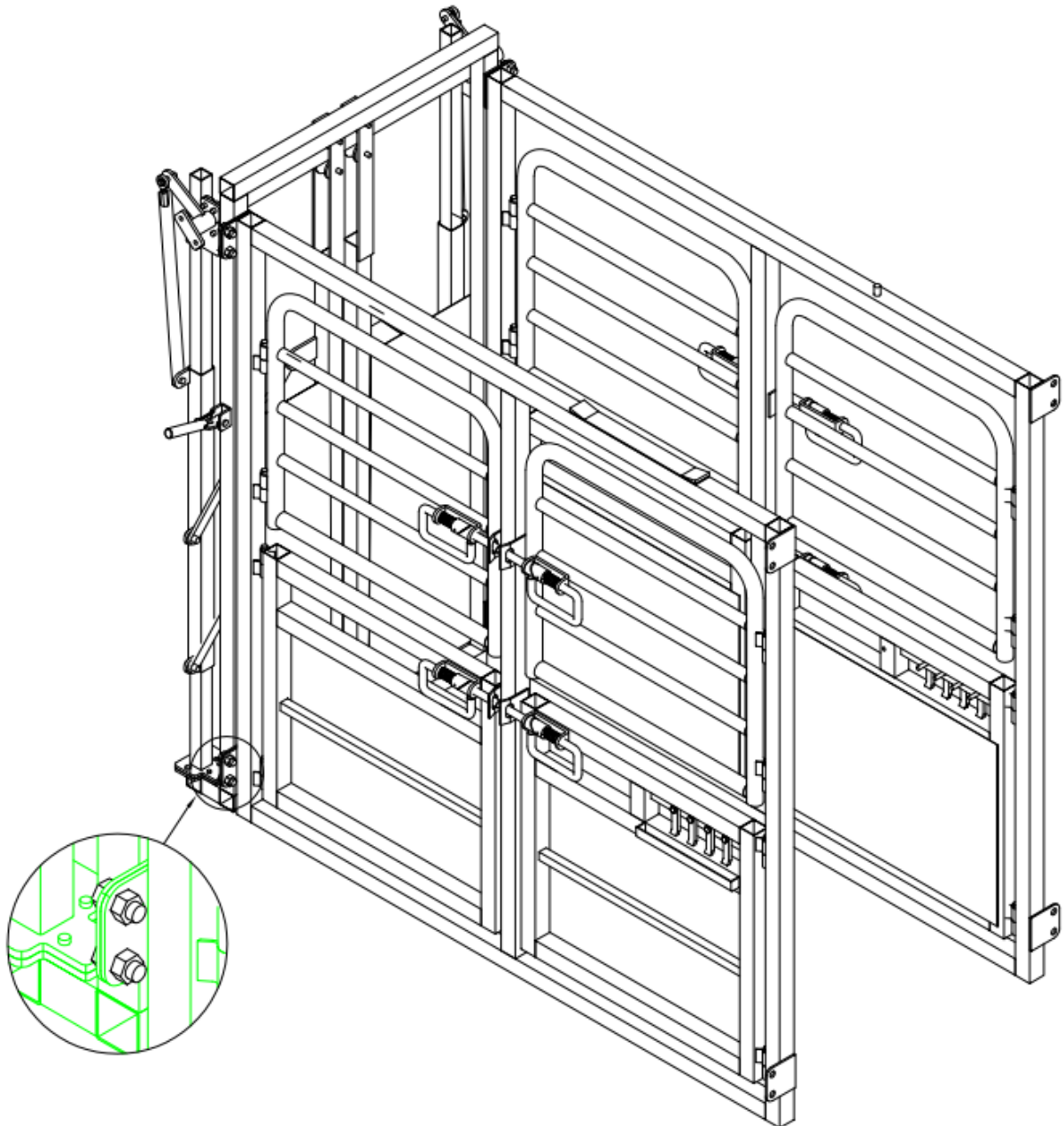
Notice: Please pay attention to fixing to prevent people from being hurt by dumping



Installation steps 2

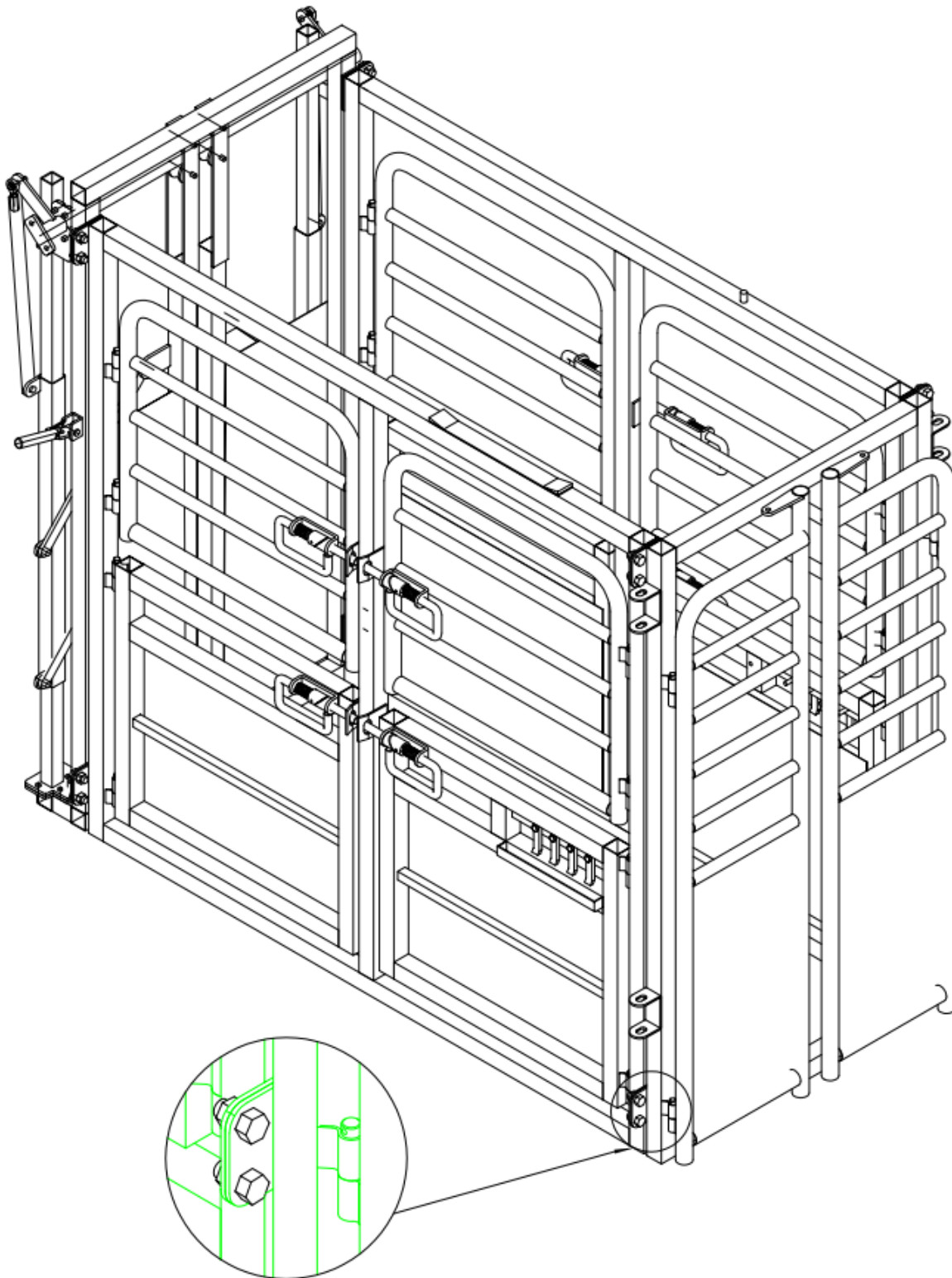
Install the left and right panels on both sides of the front door with M16*35 outer hexagonal bolt and M16 outer hexagonal nut

Notice: Pay attention to the direction, The P-lock is located on the outside



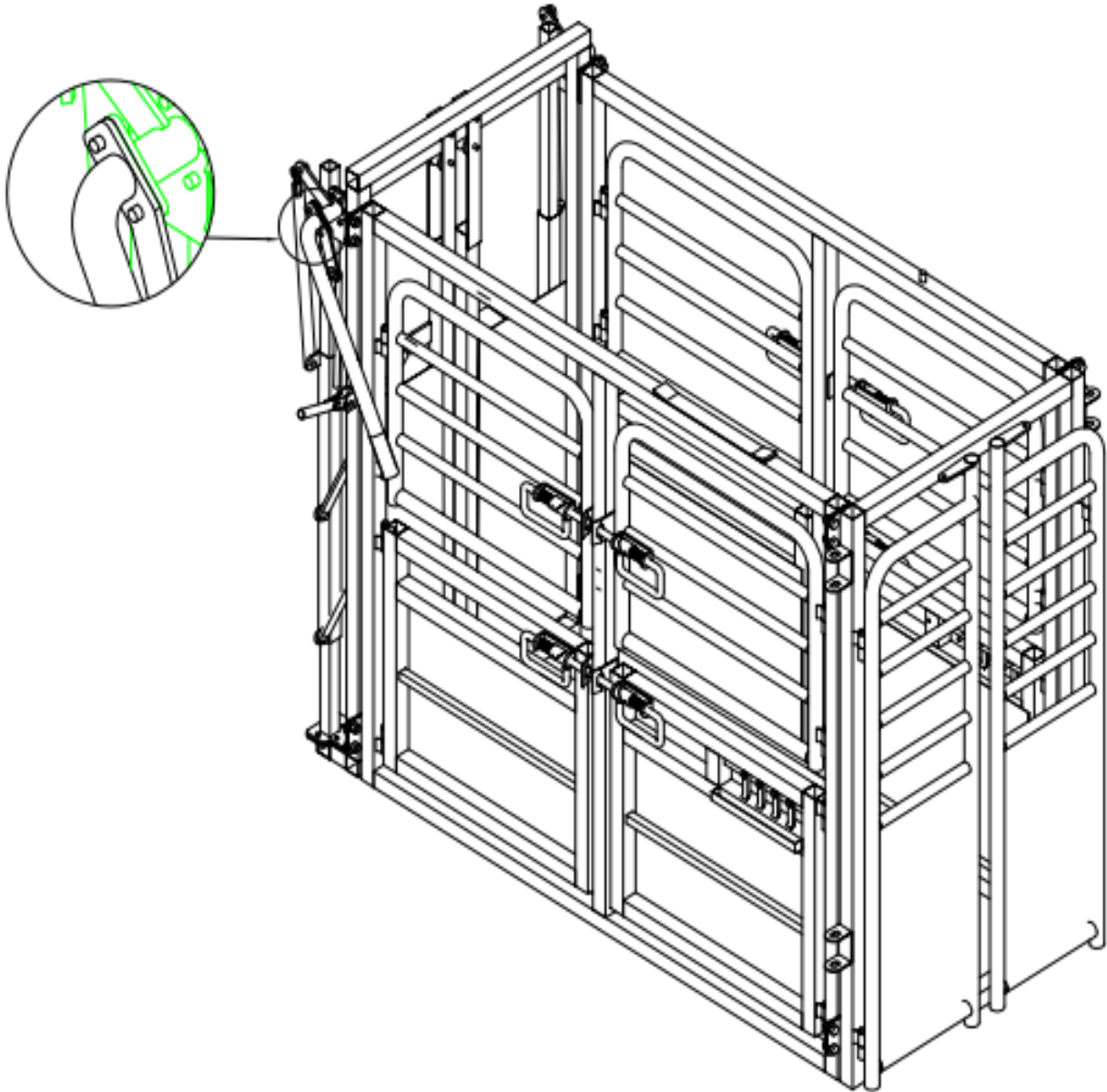
Installation steps 3

Install the back door on the left and right side panels with M16*35 outer hexagonal bolt and M16 outer hexagonal nut



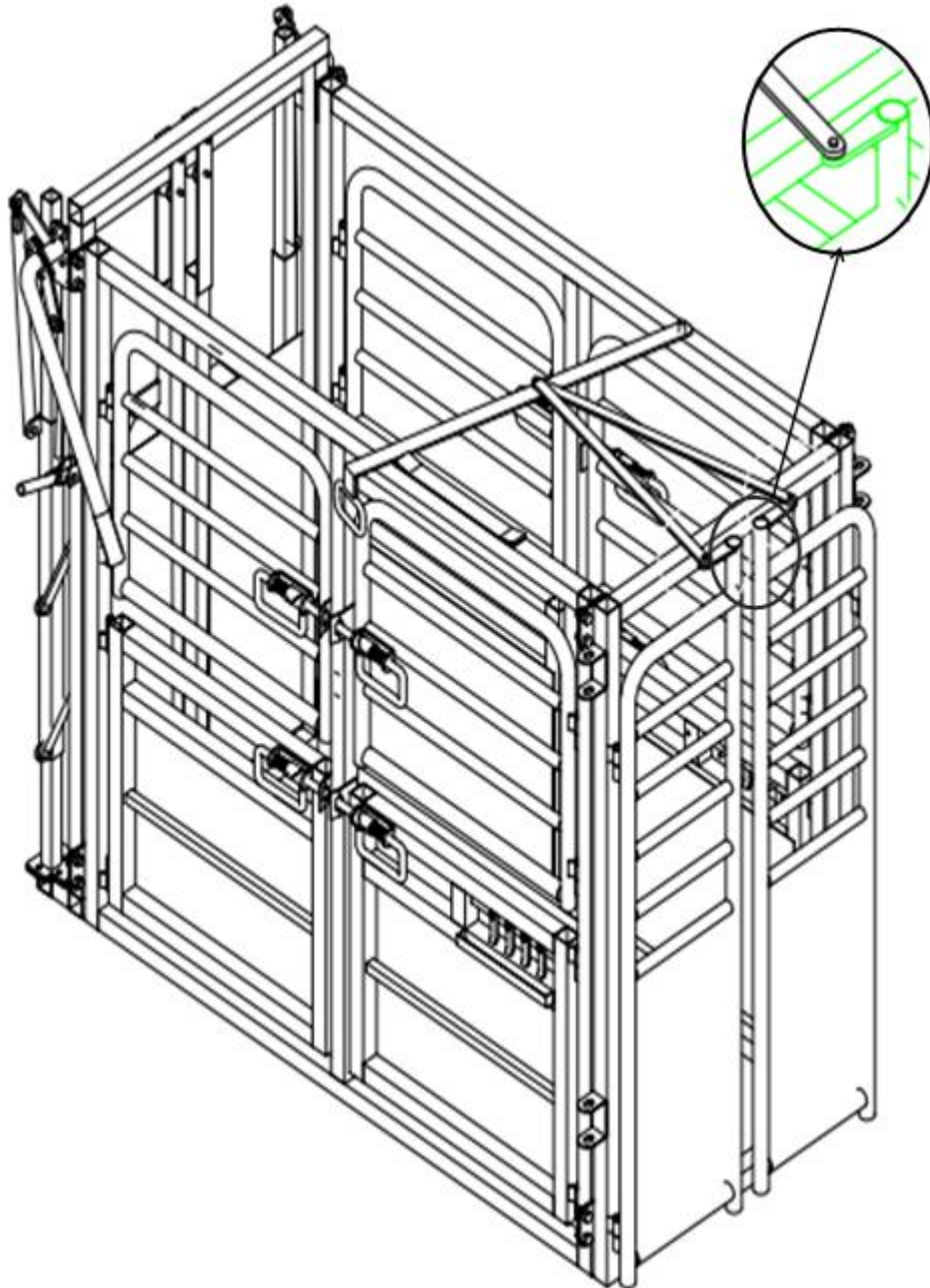
Installation steps 4

Insert the sliding limit lever of the front door operation handle into the self-locking handle and install it in the front door on the door drive pipe with M16*35 outer hexagonal bolt



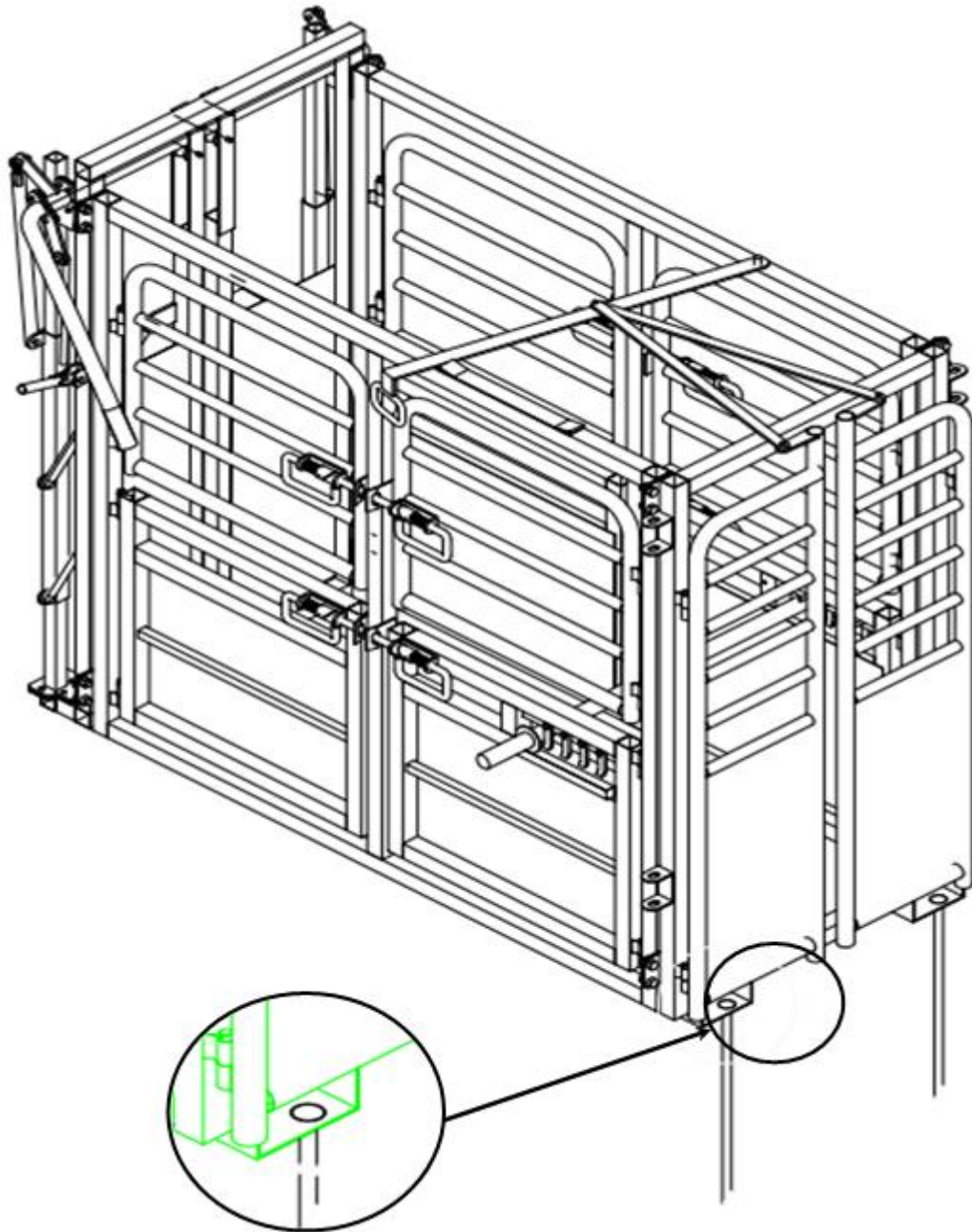
Installation steps 5

Install the back door operation handle on the side panels and back door M16*35 outer hexagonal bolt



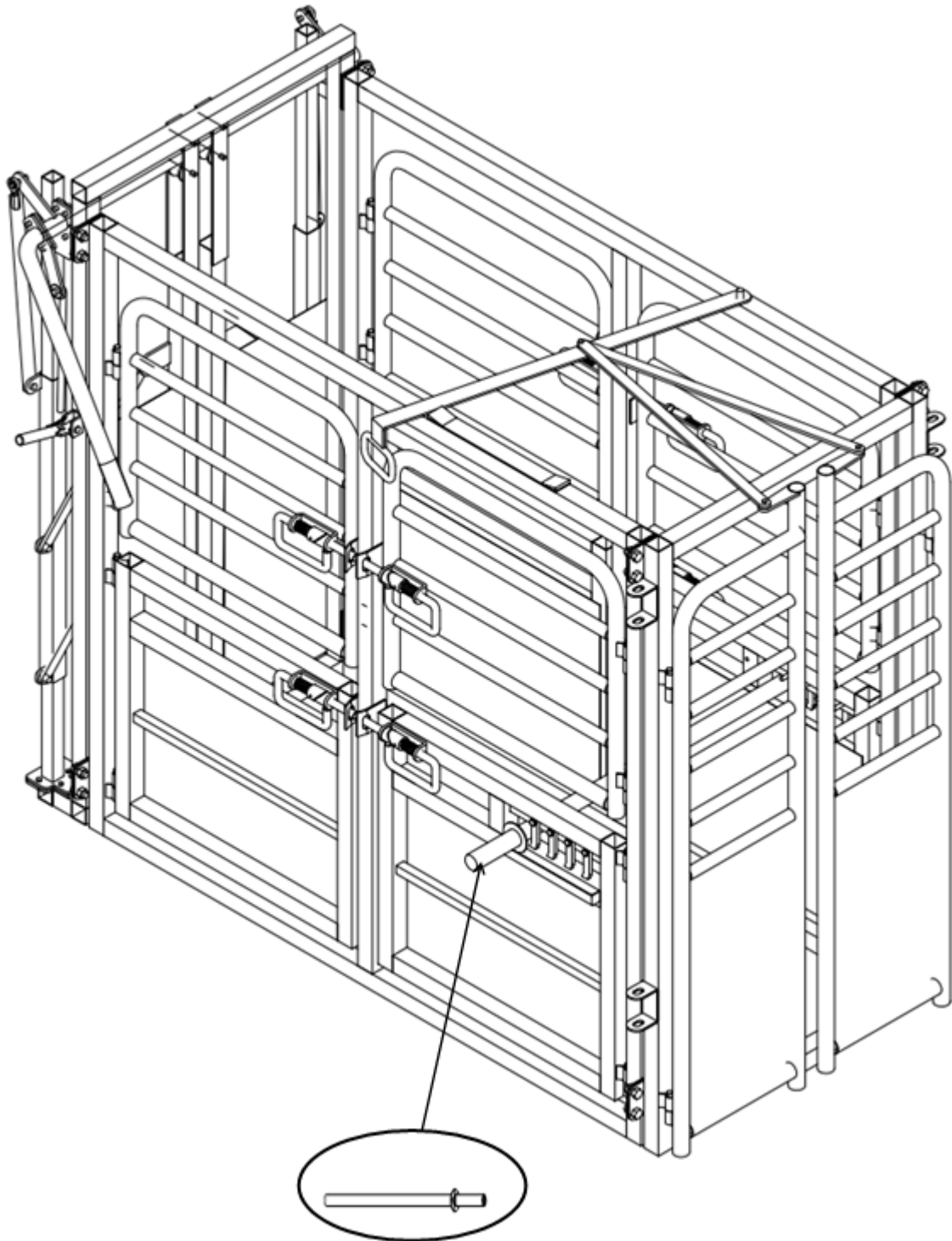
Installation steps 6

Hit the reinforcing nails into the round hole under the back door



Installation steps 7

When the cow enters, insert the anti-reverse tool to prevent the cow from retreating



Installation

