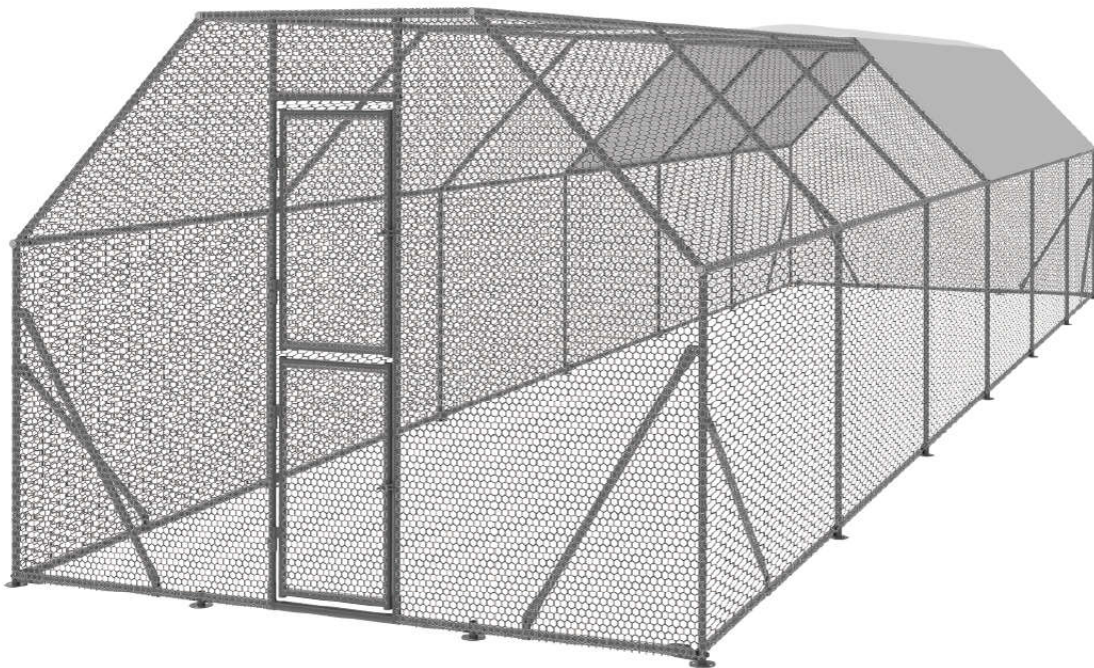
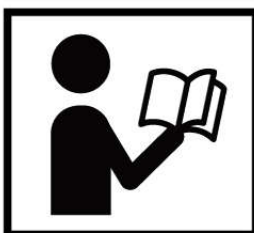


10' X 40' WIRE MESH CHICKEN RUN SHELTER



⚠ WARNING



- Please read and understand the product manual completely before assembly
- Check against the parts list to make sure all parts are received
- Wear proper safety goggles or other protective gears while in assembly
- Do not return the product to dealer. They are not equipped to handle your requests.

Missing parts or have questions on assembly?

Please call: 1-877-761-2819 or email: cs@tmgindustrial.com

MAIN SPECIFICATIONS :

- Assembly size : W3 x L12 x H2 (m) / 9.8 x 39.4 x 6.6 (ft)
- Shoulder wall clearance height : 1.2 m / 3.9 ft

PRIOR TO ASSEMBLY

Please read the instructions carefully before installation. It is important to follow your local safety regulations and industry standards during installation. Regulations may include but are not limited to :

- Safety helmets, protective eyewear, and clothing
- Safety harnesses for all elevated workers
- Proper ladder, cage, and safety operation

Check all components and parts before installation. All parts are marked with a part number, please refer to the parts list to make sure you have all parts.

Choose a day with low or no wind to install, assembly is hard in heavy wind. Do not make any alterations to the structure. Do not hang any weights on the frame during installation, including parts. We are not responsible for any damages or injuries caused by inappropriate installation, unauthorized modifications or extreme weather.

This building is not intended for human occupancy.



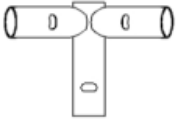
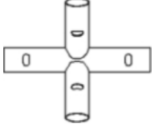
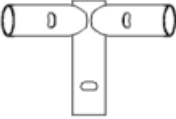
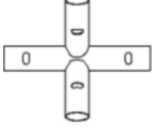
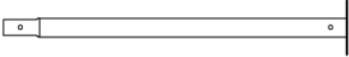






Read the following item list carefully and count the number of items to ensure that all parts are included prior to setup.


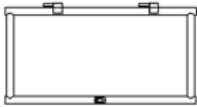
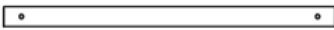


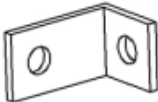








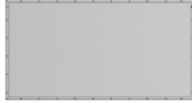

Review the whole structure and choose the proper installation site

Choose a solid flat level ground area to set up the building. Do not install the building on soft ground, wetland, uneven surfaces, sloped surfaces, or on top of structures that are not rated to hold its weight.

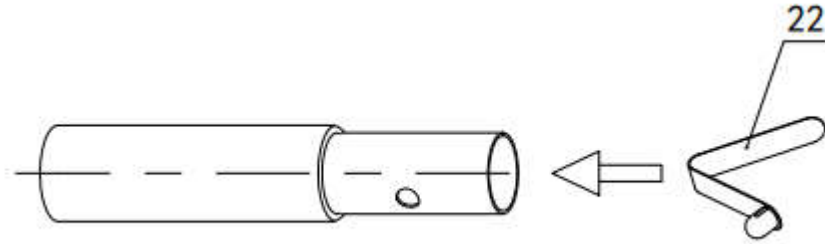
We strongly recommend that you build the structure on a solid foundation such as cement and use anchor bolts on all baseplates.


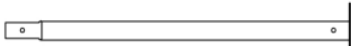



Be aware of the surrounding area. Do not set up the building near snowdrifts, open flames or exposed electrical wires. Do not keep heat sources near the fabric cover. Keep the building surroundings clear at all times.

TMG-CRS1040 PART LIST				
PARTS CODE	GRAPHICAL	DESCRIPTION	LENGTH	QTY
1		Peak tube	φ32xL1154mm	23
1A		Peak tube	φ32xL1178mm	6
2		Peak arch tube (for front and rear truss)	L144xW120mm	4
2A		Peak arch tube (middle trusses)	L198xW144mm	10
3		Shoulder tube (front and rear truss)	L138xW120mm	4
3A		Shoulder tube (for middle truss)	L198xW138mm	10
4		Sidewall tube	φ32xL1183mm	14
5		Lower horizontal tube	φ32xL2030mm	12
6		Upper horizontal tube	φ32xL1922mm	24
7		Front and rear foot tube	L166xW52mm	4
8		Front and rear Lower horizontal tube	φ32xL834mm	4
9		Door right pillar	φ32xL1937mm	1
9A		Door left pillar	φ32xL1937mm	1

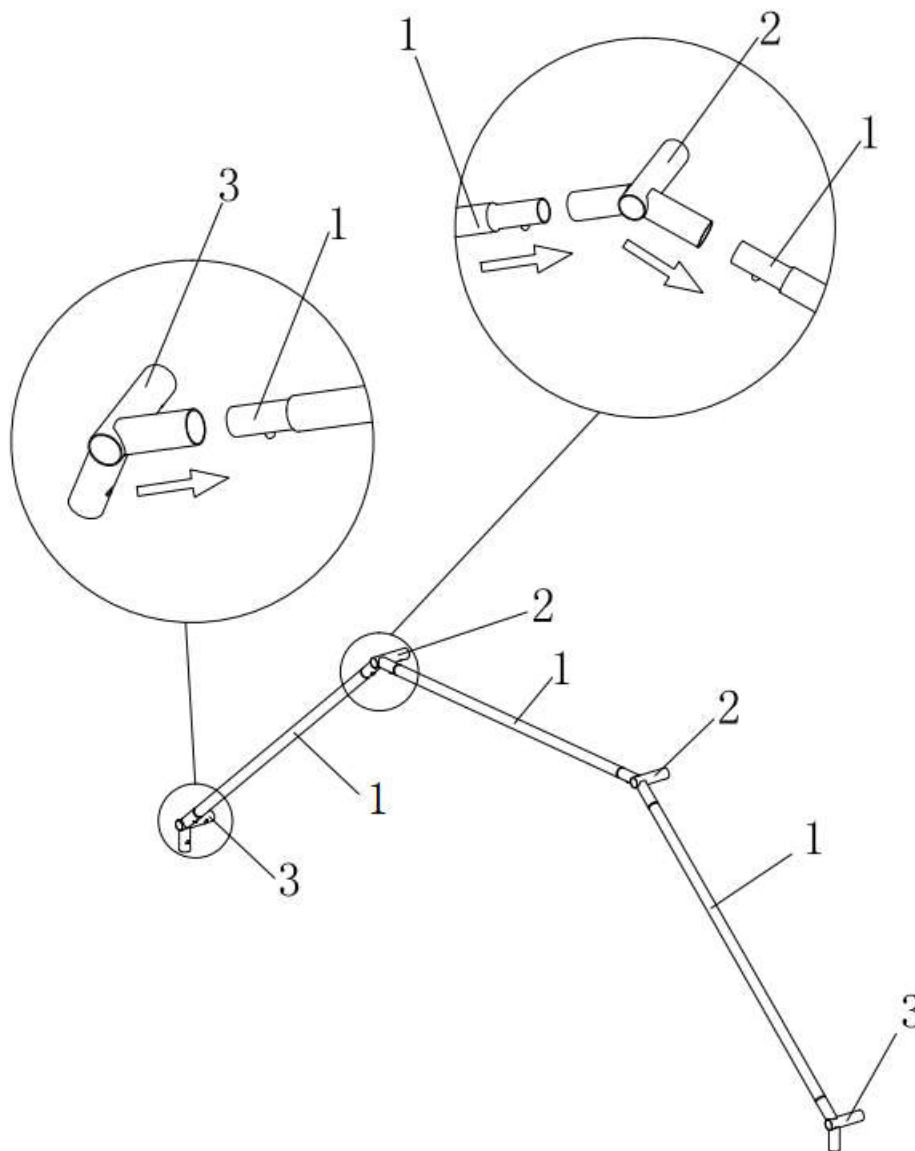
10		Inclined tube	φ32xL1130mm	8
11		Door	L805xW548mm	2
12		Door frame tube	φ32xL568mm	1
13		Pipe clamps	φ32xL70mm	16
13A		Clip	L93xW40mm	36
14		Connector	L55xW34mm	4
15		Screw bolt	M8x50mm	14
15A		Screw bolt	M6x60mm	18
15B		Tapping screw	#12x25mm	18
16		Screw bolt	M6x60mm	20
17		Waterproof plug	φ32mm	20
18		Barbed wire	L43xW2m	1
19		Plastic cable tie	L200mm	700
20		Tension rope	L150mm	76
21		Roof fabric tarp cover	W5.84xL3.62m	1
22		V-spring buckle	(φ8)	112


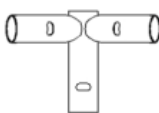
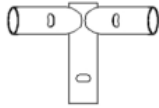
STEP 1 :INSTALL V-SPRING BUCKLE



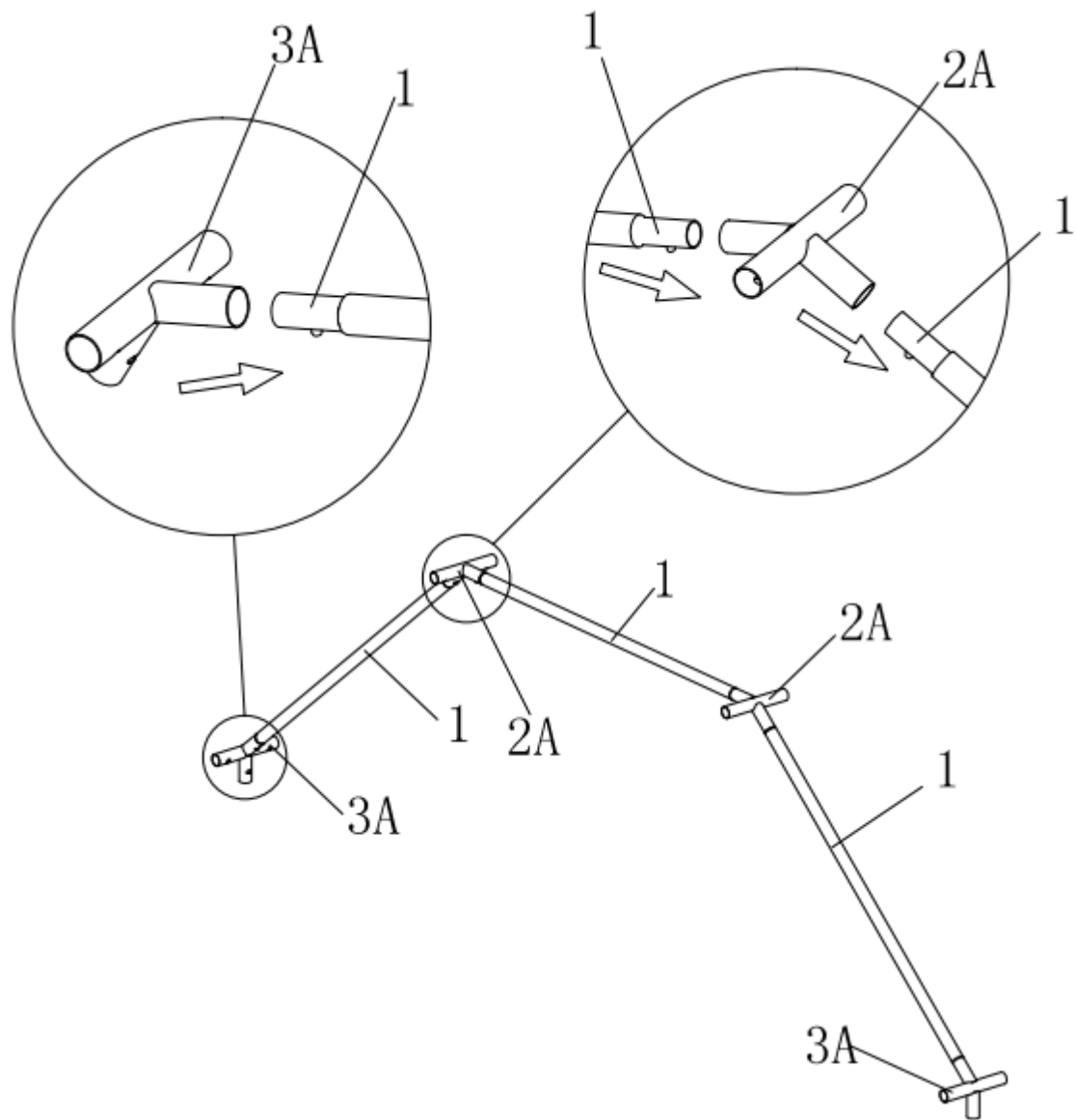
NO.	PART	QTY
1		23
4		14
6		24
8		4
22		112


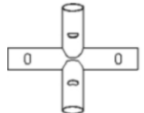
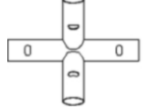
STEP 2: ASSEMBLE FRONT AND REAR TRUSSES.



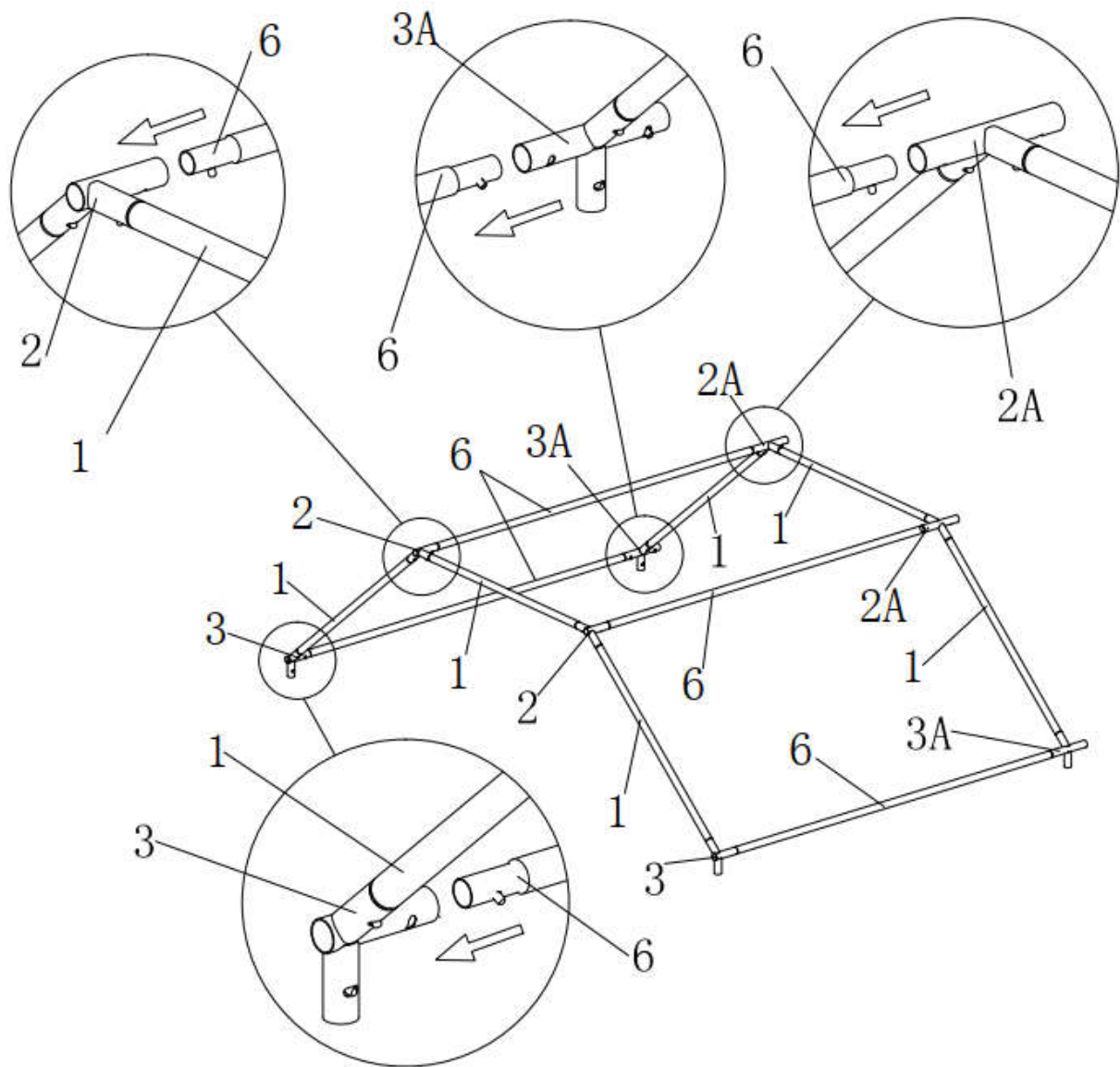
NO.	PART	QTY
1		3x2
2		2x2
3		2x2


STEP 3 : ASSEMBLE MIDDLE TRUSSES.



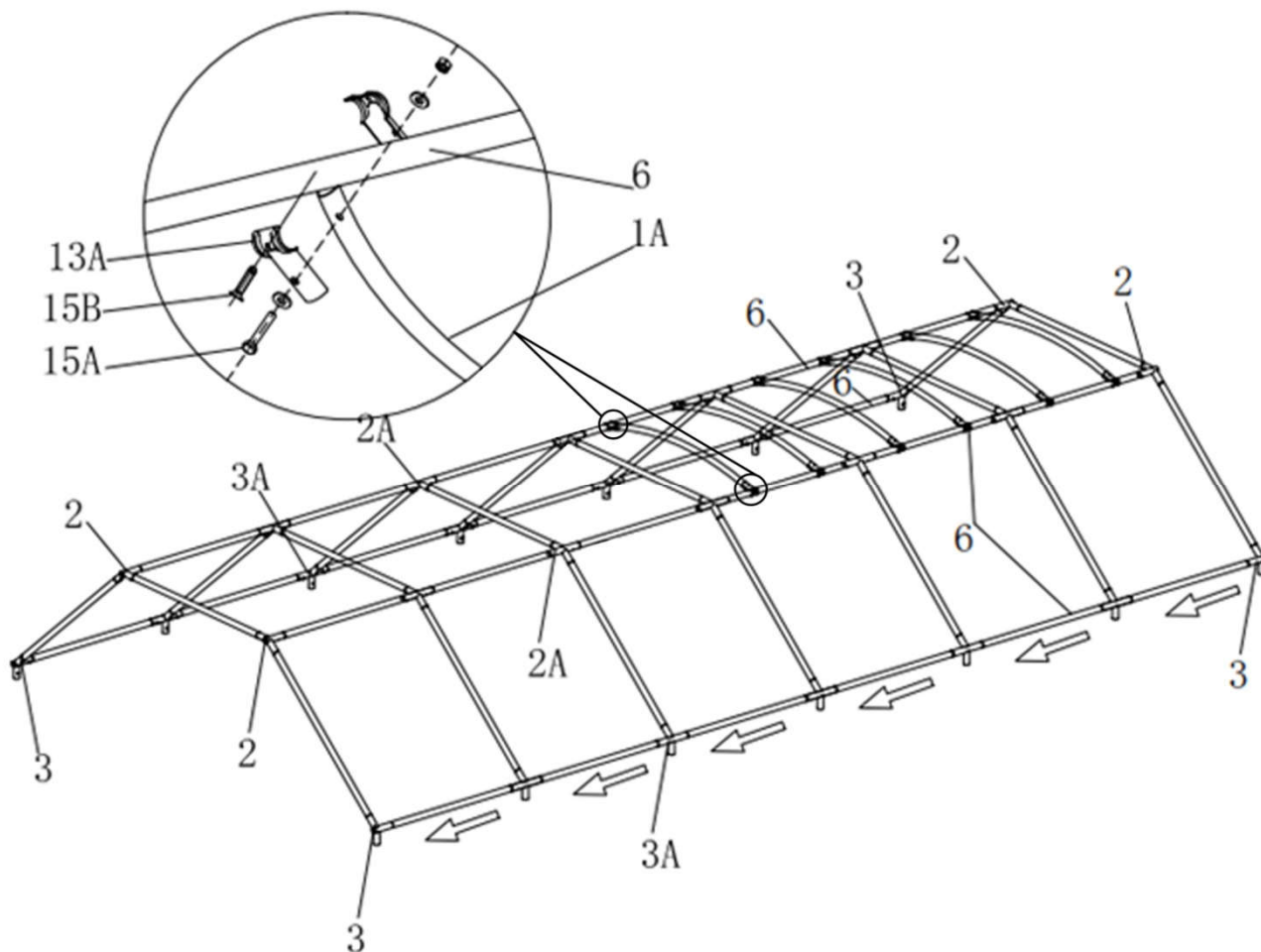
NO.	PART	QTY
1		3x5
2A		2x5
3A		2x5






STEP 4 : CONNECT THE FRONT TRUSS AND THE 2ND TRUSS THROUGH PART (#6).



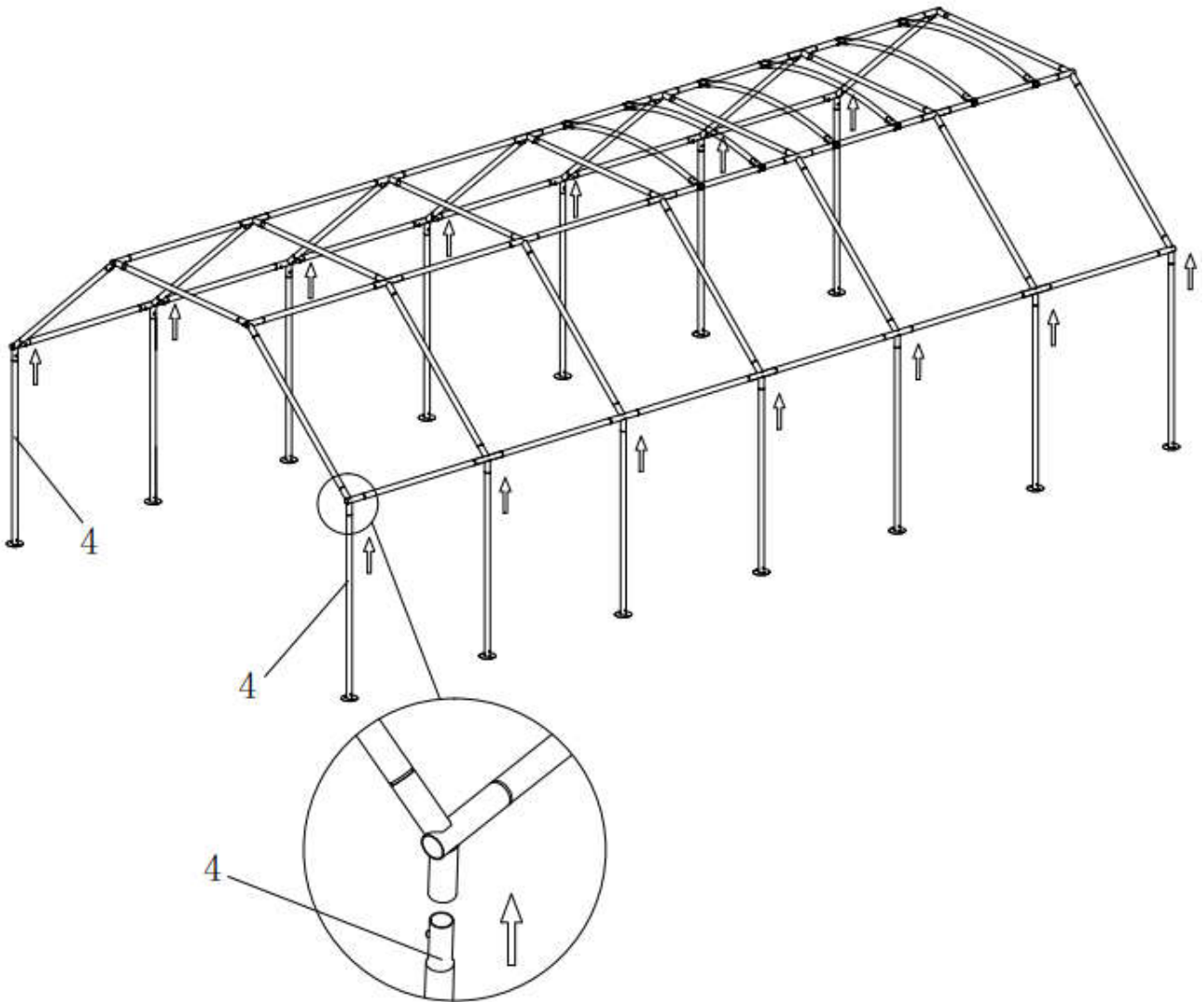
NO.	PART	QTY
6		4

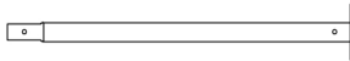
STEP 5 : CONNECT THE 3ST TRUSS AND THE REAR TRUSS THROUGH PART (#6).



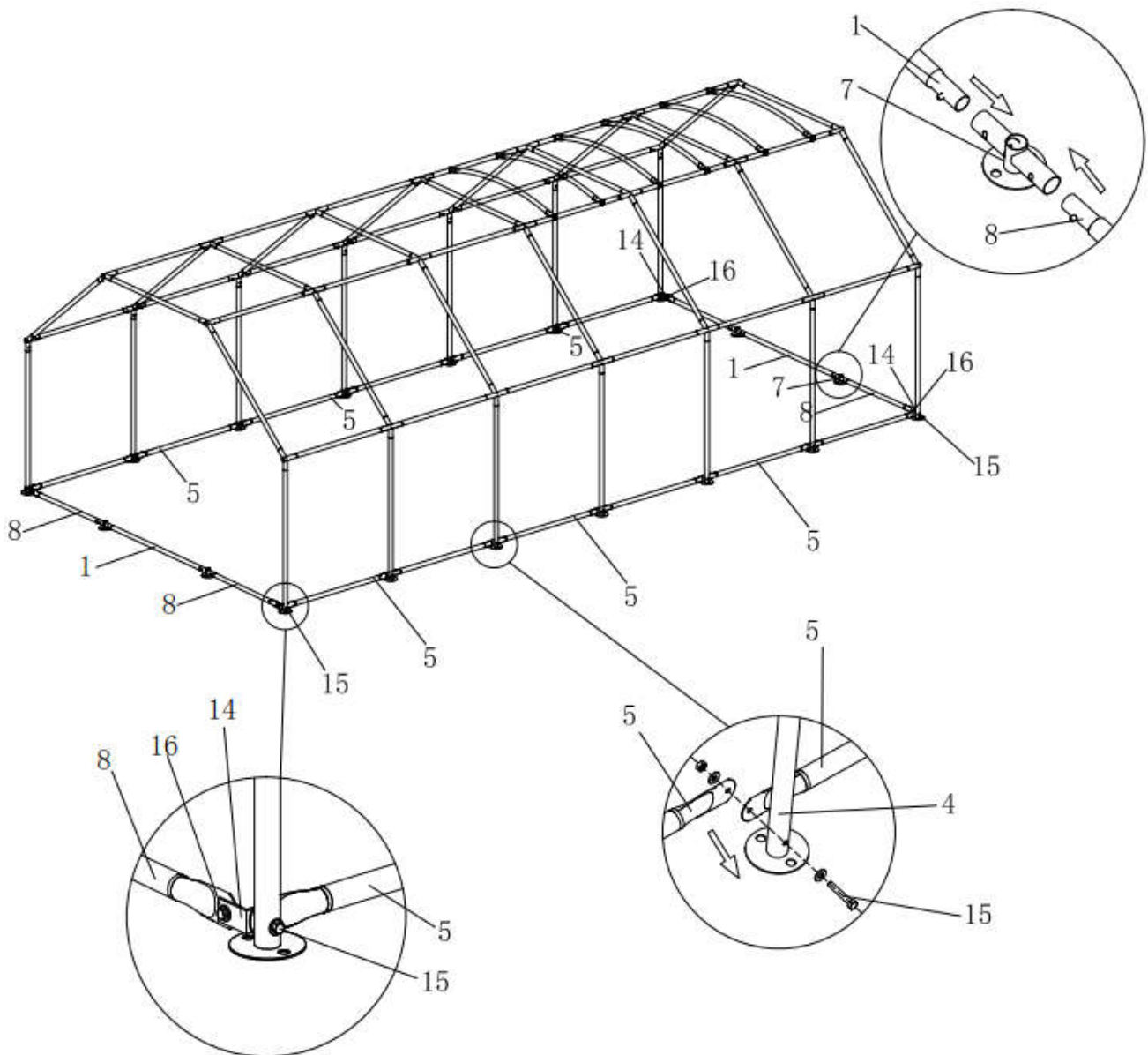
NO.	PART	QTY
1A		6
6		20
13A		24
15A		12
15B		12





STEP 6 : ASSEMBLE PART (#4).

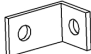




NO.	PART	QTY
4		14

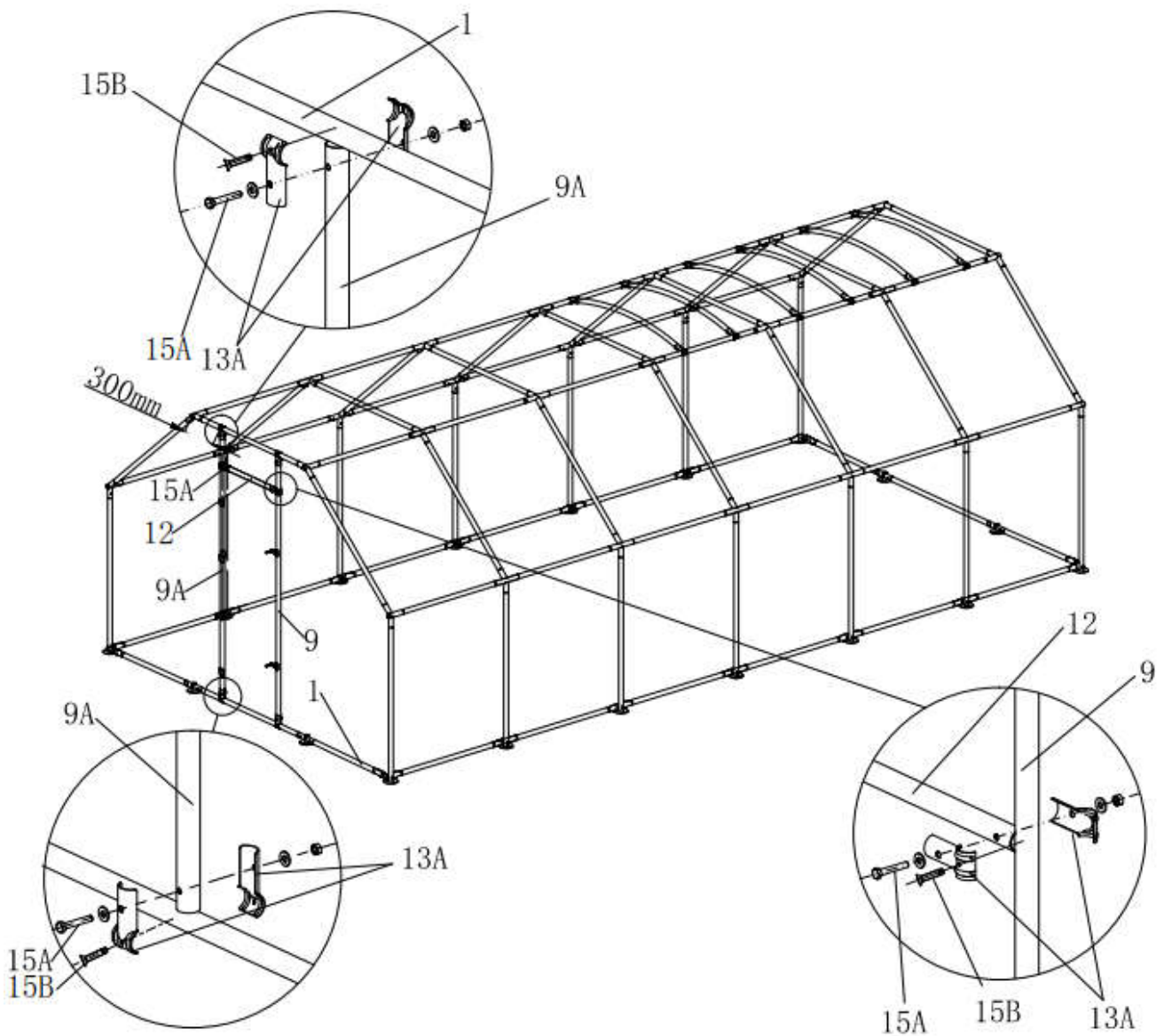
STEP 7 : FOUNDATION INSTALLATION.

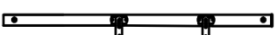
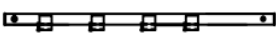






NO.	PART	QTY
1		2
5		12
7		4
8		4

NO.	PART	QTY
14		4
15		14
16		4

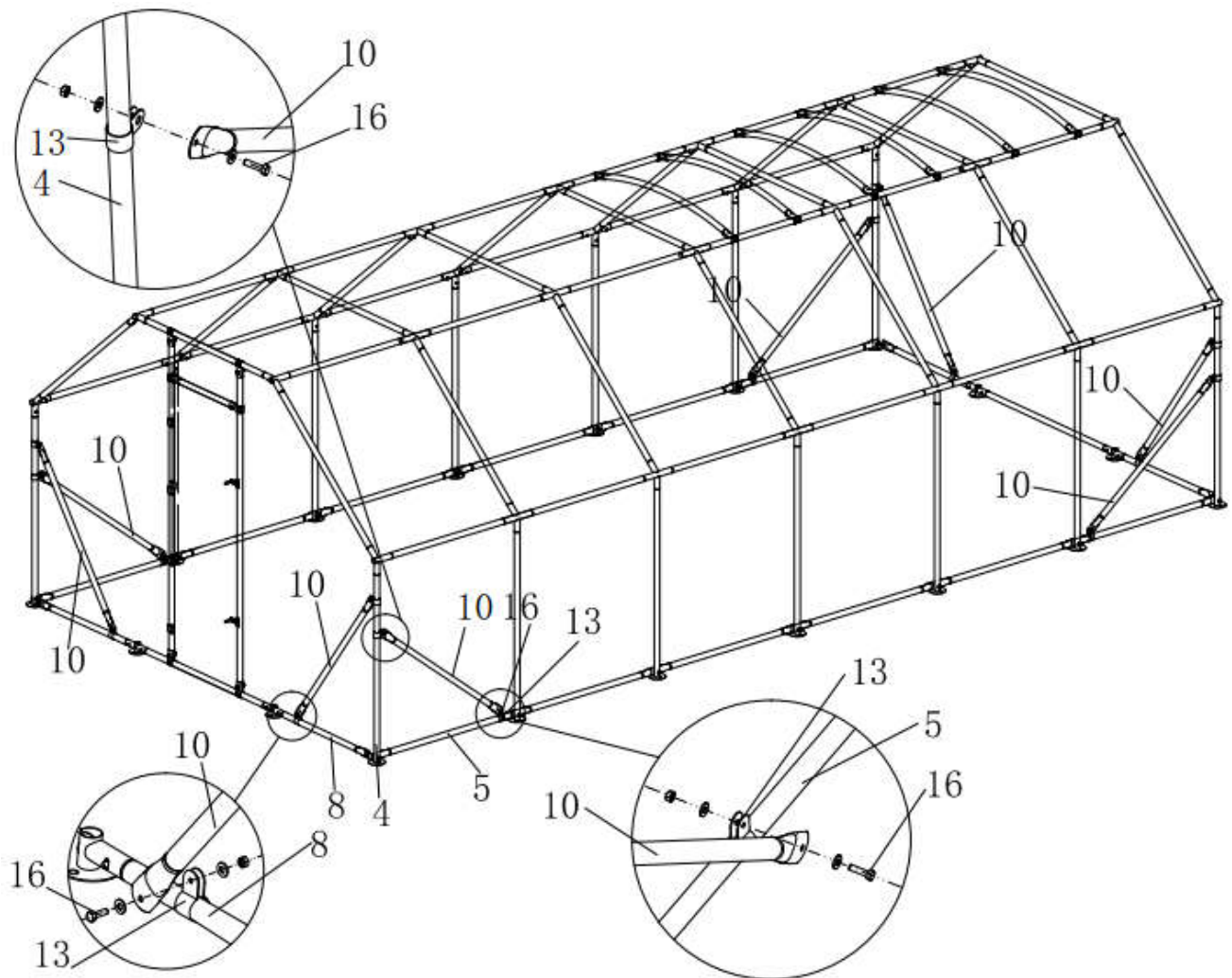
STEP 8 : INSTALL THE DOOR FRAME (#9) AND (#9A).






NO.	PART	QTY
9		1
9A		1
12		1

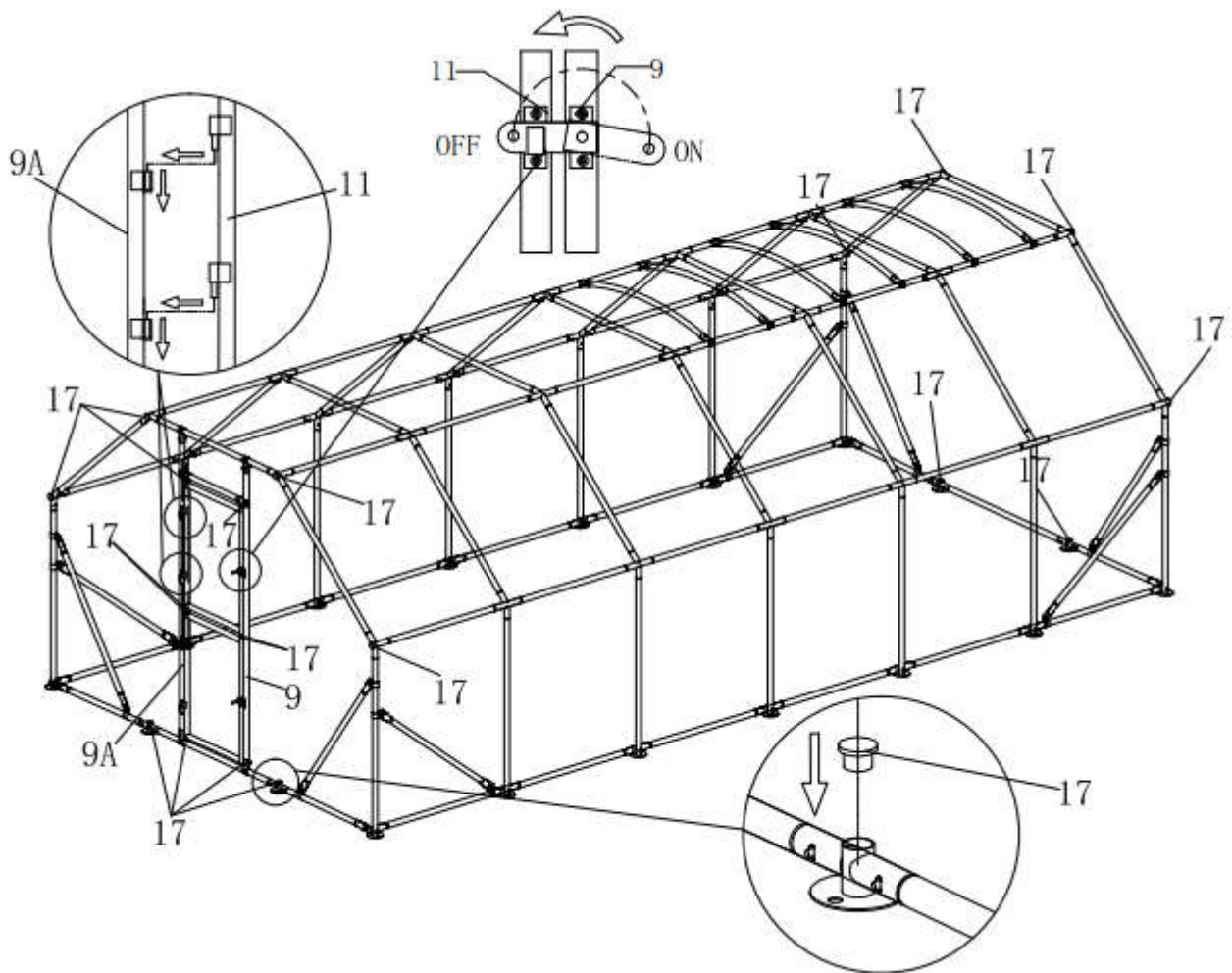
NO.	PART	QTY
13A		12
15A		6
15B		6



STEP 9 : INSTALL THE DIAGONAL BRACING BARS (#10).



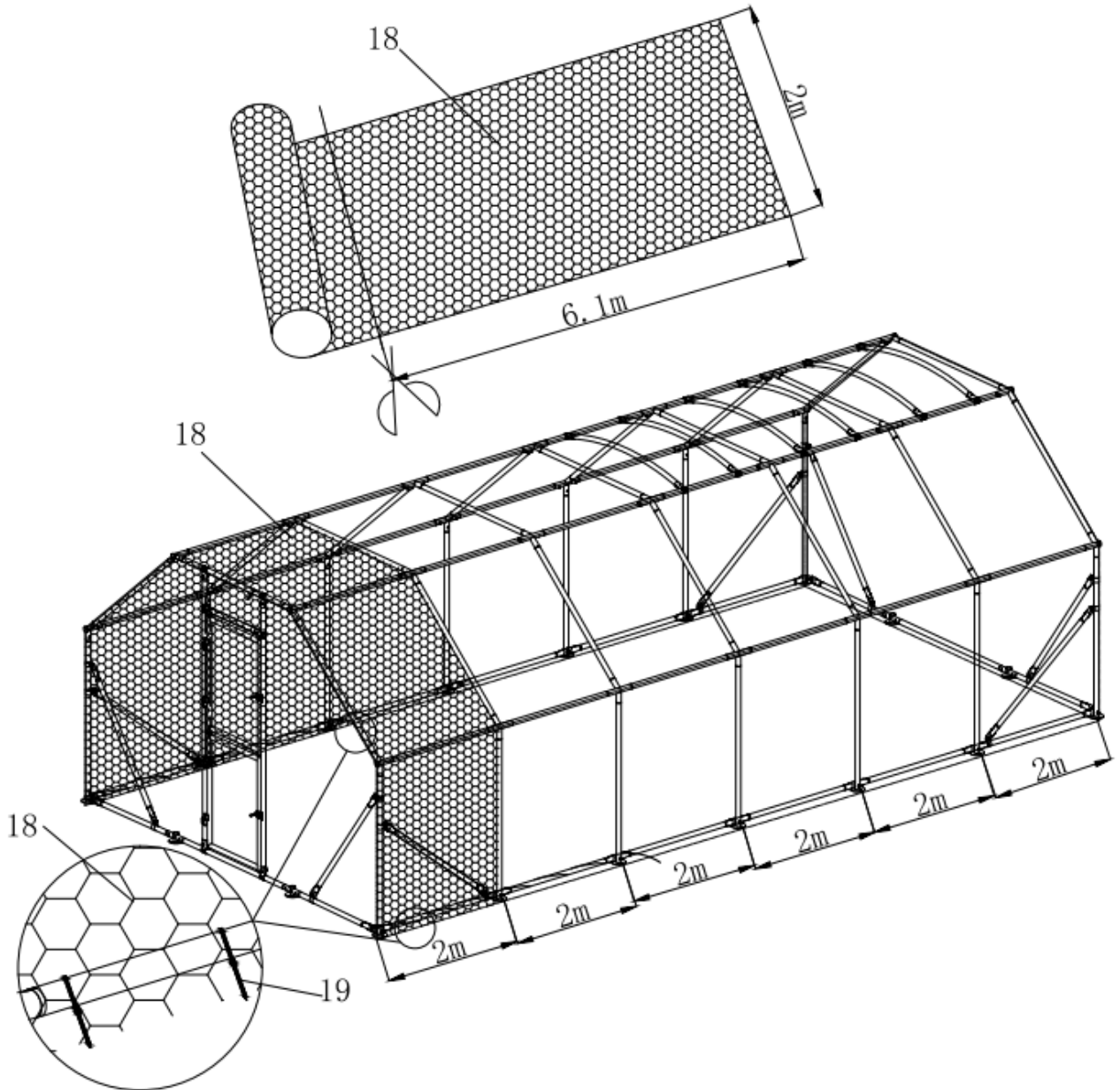
NO.	PART	QTY
10		8
13		16
16		16



STEP 10 : INSTALL THE DOOR (#11).



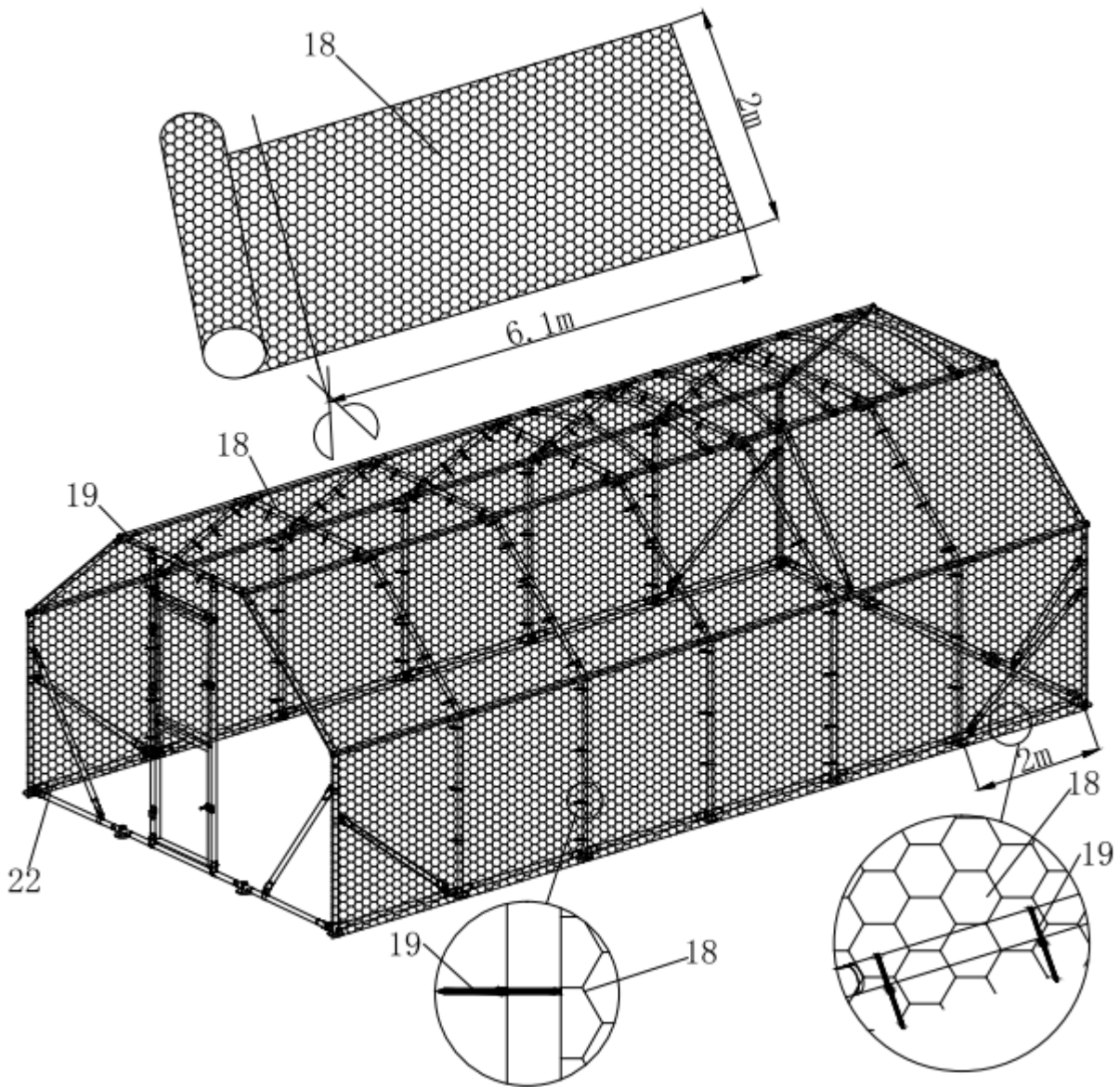
NO.	PART	QTY
11		2
17		20



STEP 11 : INSTALL THE TOP HEXAGONAL WIRE MESH.



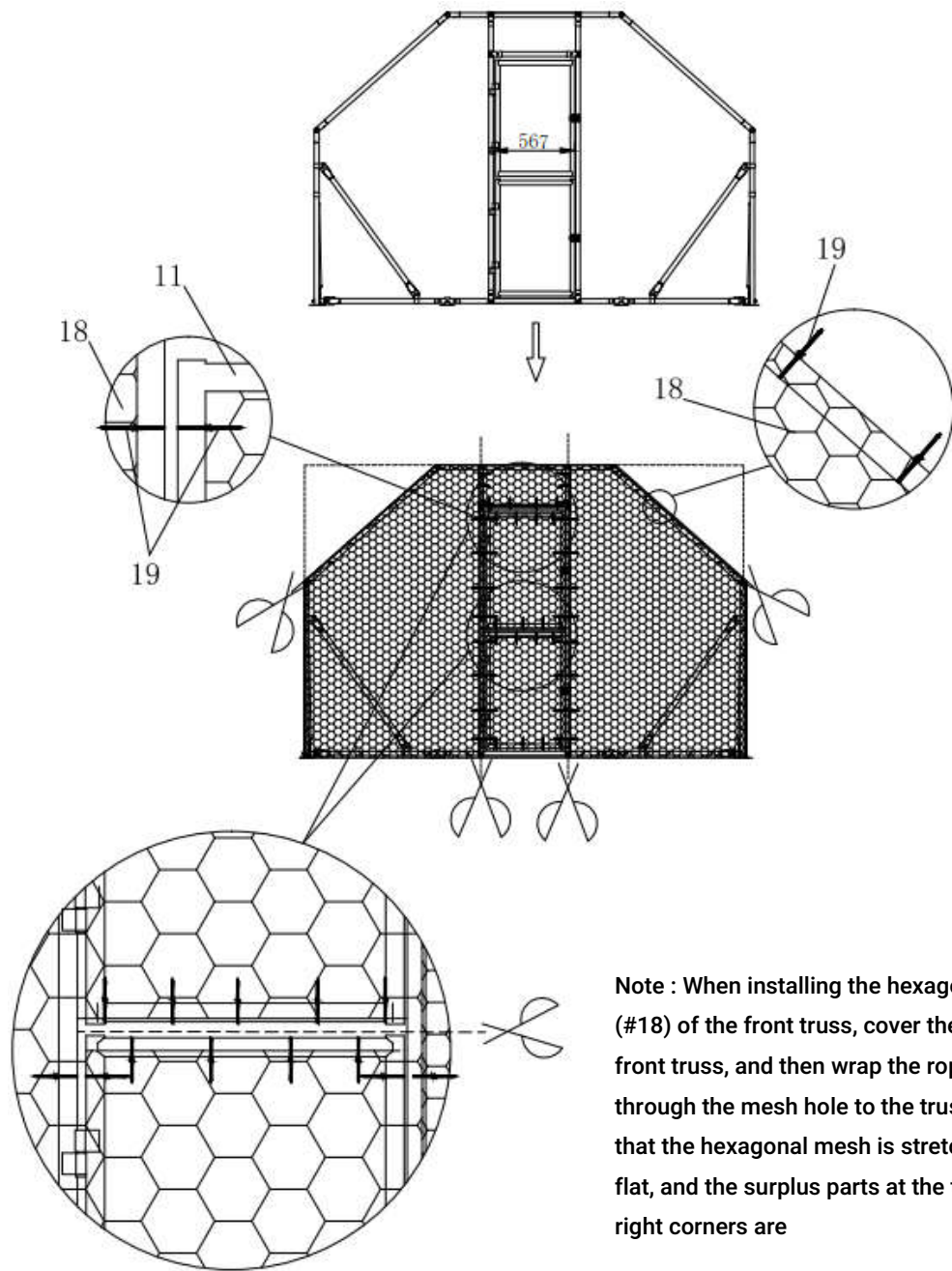
NO.	PART	QTY
18		1
19		100

STEP 12 : INSTALL THE TOP HEXAGONAL WIRE MESH.





NO.	PART	QTY
18		1
19		400

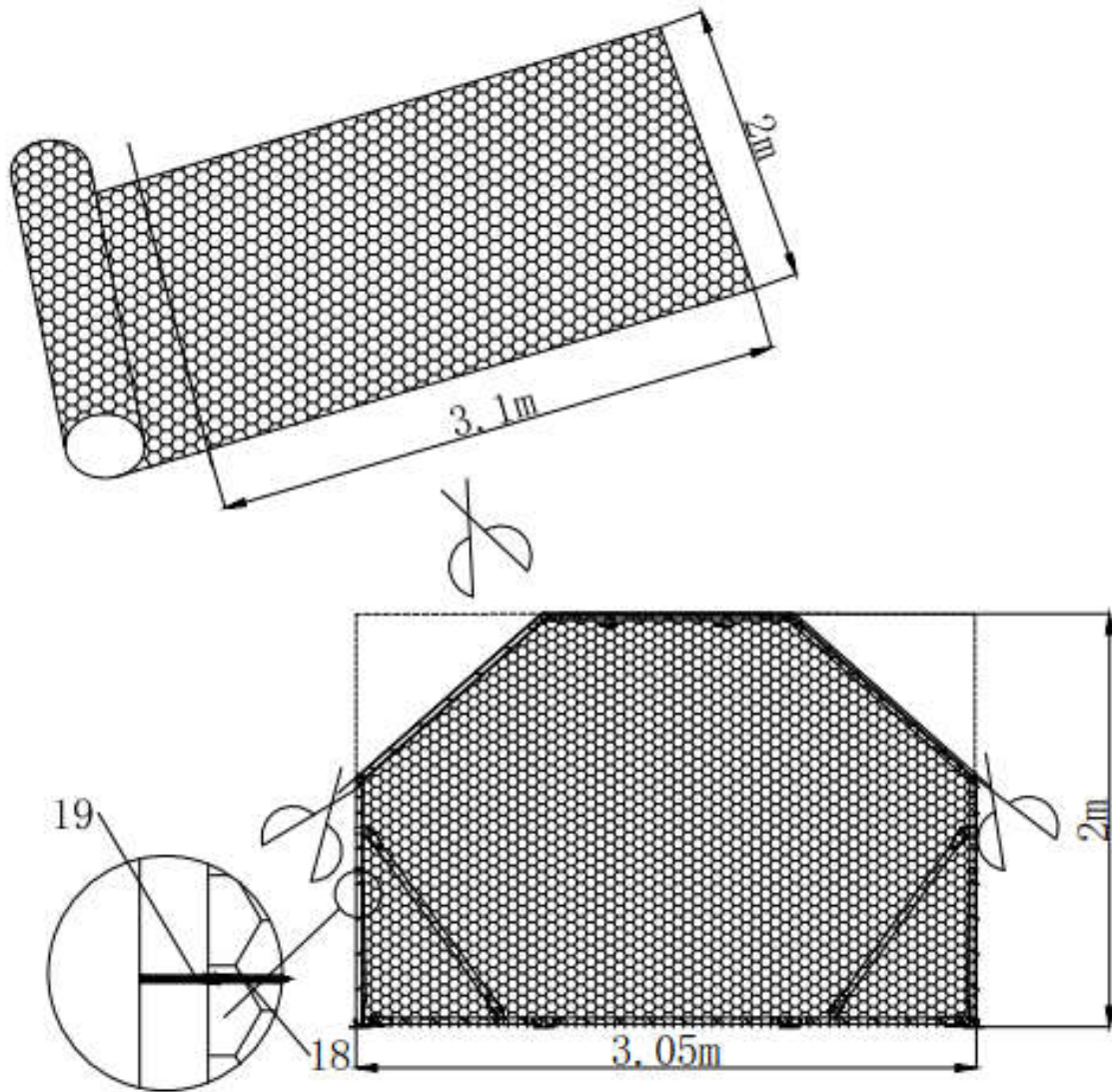
STEP 13 : INSTALL THE FRONT DOOR HEXAGONAL WIRE MESH .





Note : When installing the hexagonal mesh (#18) of the front truss, cover the net on the front truss, and then wrap the rope (#19) through the mesh hole to the truss to ensure that the hexagonal mesh is stretched and flat, and the surplus parts at the top left and right corners are

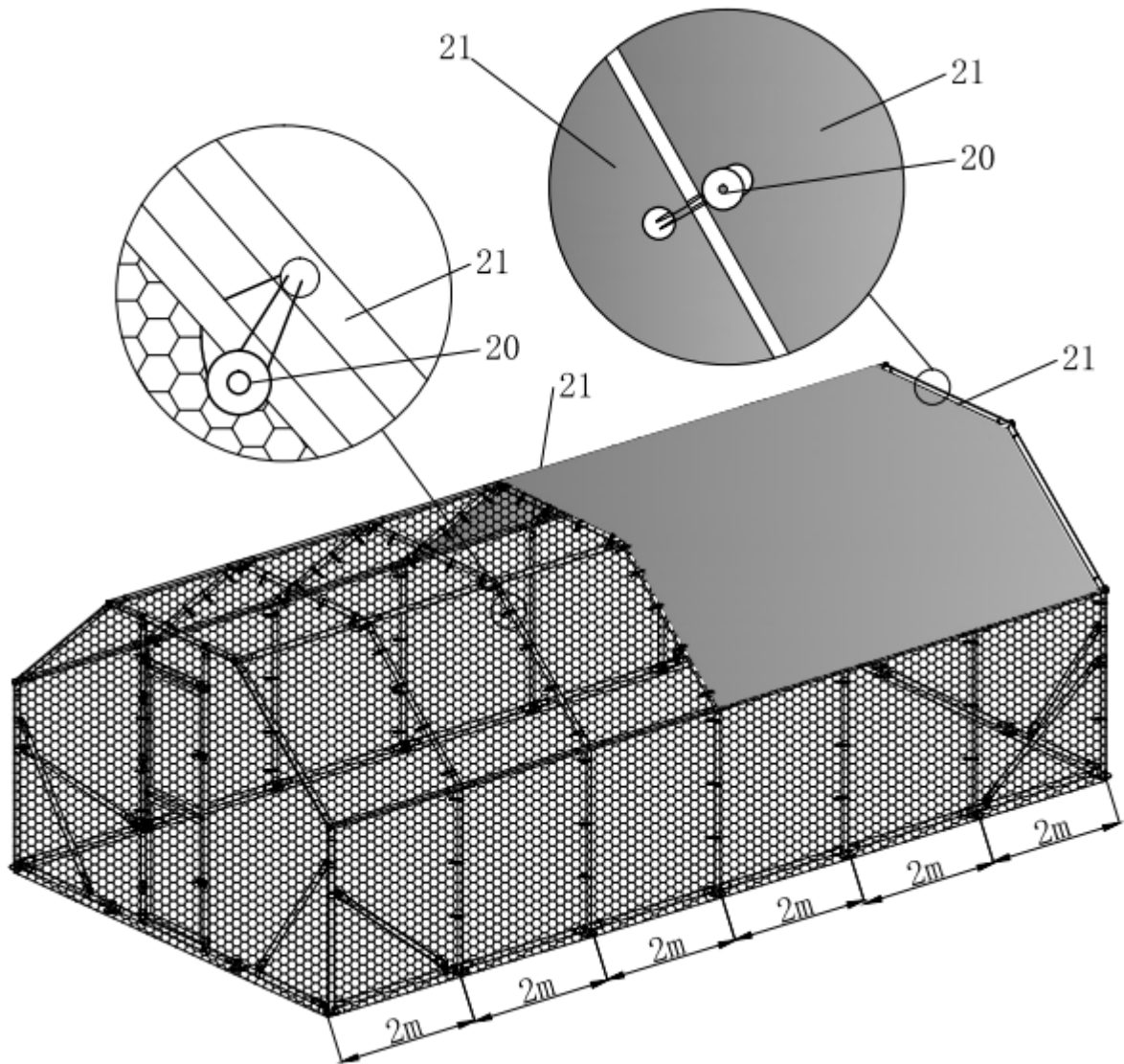
NO.	PART	QTY
18		1
19		140



STEP 14 : INSTALL THE REAR DOOR HEXAGONAL WIRE MESH.



NO.	PART	QTY
18		1
19		60

STEP 15 : INSTALL THE TOP COVER (#21).



NO.	PART	QTY
20		76
21		1

AFTER THE INSTALLATION

Walk around and inspect the building periodically to make sure all components are still firmly secured and the whole building is well supported. Check all bolts and nuts as well as all connection points to make sure they are all in good position. Check the base plates, adjust the ropes and tie downs if required and clean the cover regularly.

Snow accumulating on the fabric cover must be removed as soon as possible. If snow becomes solid ice on the cover, it will increase the weight on the roof and collapses the building or reduce the life span eventually.

Keep the building on a dry ground most of the time. Do not keep the fabric dirt skirt under water all the time, otherwise the fabric will deteriorate.

We strongly recommend you remove any snow from the roof immediately. Do not leave any snow load on the roof overnight. Keep 3 feet of clearance on all sides at all times. Do not allow snow to accumulate and pile up on the sides of the building. Otherwise the push from the sides toward inside will make the building collapsed at some point.