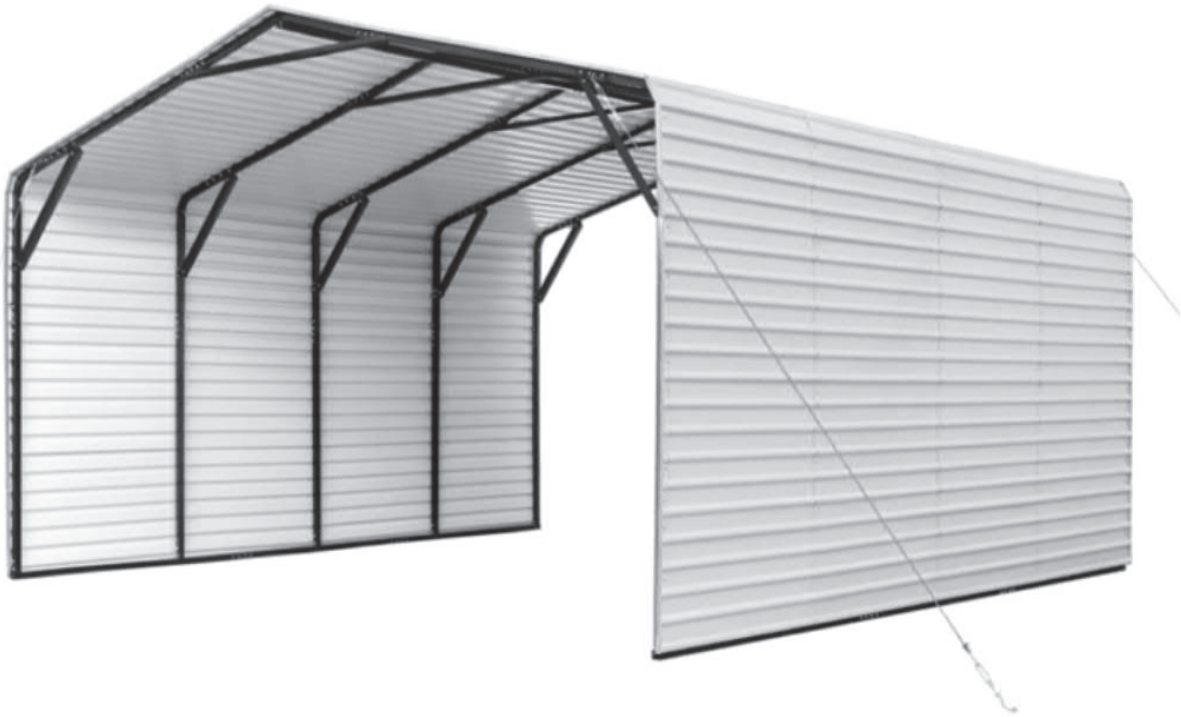


**20Ft x 20Ft All-Steel Carport****Model: TMG-CP2020F-1.0**

- Please read the product manual completely before assembly
- Check against the parts list to make sure all parts are received
- Wear proper safety goggles or other protective gears while in assembly

Missing parts or questions on assembly?

Please call: 1-877-761-2819 or email: [cs@tmgindustrial.com](mailto:cs@tmgindustrial.com)

Do not return the product to dealer, they are not equipped to handle your requests

## **Main Specifications :**

- Overall assembled size : W6 x L6 x H3.78 (m) / 20ft x20ft x 12ft
- Width : 6 m / 20ft
- Length : 6 m / 20 ft
- Ridge peak height : 3.78 m / 12 ft
- Shoulder wall clearance height : 3.0 m / 10 ft

## **Prior to assembly**

Please read the instructions carefully before installation. It is very important to follow your local safety regulations and industry standards during installation. Regulations may include but are not limited to:

- Safety helmets, protective eyewear, and clothing
- Safety harnesses for all elevated workers
- Proper ladder, cage, and safety operation

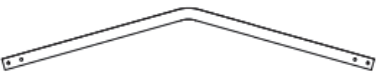










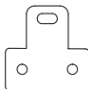
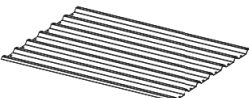
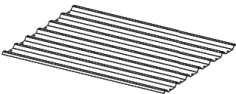
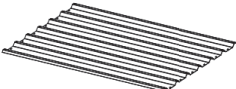
Check all components and parts before installation. All parts are marked with a part number, please refer to the parts list to make sure you have all parts.

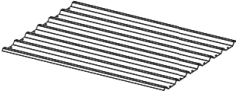


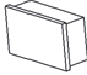
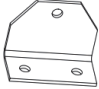


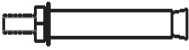

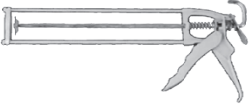

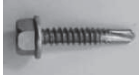
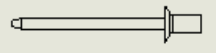


Choose a day with low or no wind to install, assembly is hard in heavy wind. Do not make any alterations to the structure. Do not hang any weights on the frame during installation, including parts. We are not responsible for any damages or injuries caused by inappropriate installation, unauthorized modifications or extreme weather.

This building is not intended for human occupancy.

It is recommended to tape or add foam/rubber on the frame where joints connect and where it touches the cover. This will help extend the life span of the cover.

Read the following item list carefully and count the number of items to ensure that all parts are included prior to setup.

<b>TMG- CP2020F-1.0 Part List</b>				
<b>Parts code</b>	<b>Graphical</b>	<b>Description</b>	<b>Qty</b>	<b>BOX</b>
1		Peak arch tube	5	1/1
2		Middle rafter tube	10	1/1
3		Shoulder tube	10	1/1
4		Sidewall tube	10	1/1
4A		Short casing	37	1/1
5C		Top cross bar A	3	1/1
5D		Top cross bar B	1	1/1
6		Ceiling cross bar	5	1/1
6A		Foot tube (front and rear)	4	1/1
6B		Foot tube (middle)	2	1/1
6D		Reinforcing tube	10	1/1
6E		Reinforced tube mounting plate	60	1/1
7		Metal sheet (front and rear truss)	26	1/1
7A		Metal sheet (front and rear truss)	4	1/1
8		Metal sheet (middle truss)	26	1/1

8A		Metal sheet (middle truss)	4	1/1
9		Edge protector	14	1/1
10		Edge buckle	12	1/1
11		Water plug	6	1/1
12		Steel cable mounting plate	4	1/1
13		Anchor Hook (M14x120mm)	4	1/1
14		Steel cable (3.9m)	4	1/1
15		Expansion bolt (φ 16x150mm)	12	1/1
16		Waterproof silicon sealant	4	1/1
16A		Caulking gun	1	1/1
17		Hex bolt M10x70mm	215	1/1
18		Self tapping screw M5x30mm	250	1/1
19		Rivet φ 3x6mm	100	1/1
21		Hex bolt M10x120mm	5	1/1
22		Sleeve	2	1/1

## Installation steps

### Step 1 : Review the whole structure and choose the proper installation site

Refer to the foundation structure Figure 1, draw lines on the ground for positioning, all dimension lines are drawn from the center of the pipe to the center, and the diagonal X must be equal to Y.

Installation of foundation pipes: all foundation pipes shall be connected here with (#17) hex bolts as shown in Figure 1, and fixed on the ground with (#15) expansion bolts. (refer to figure 1)

- Parts used in this step :

- (4) Foot tube (#6A)
- (2) Foot tube (#6B)
- (16) Hex bolt (#17)
- (12) Expansion bolt (#15)
- (4) Short casing (#4A)

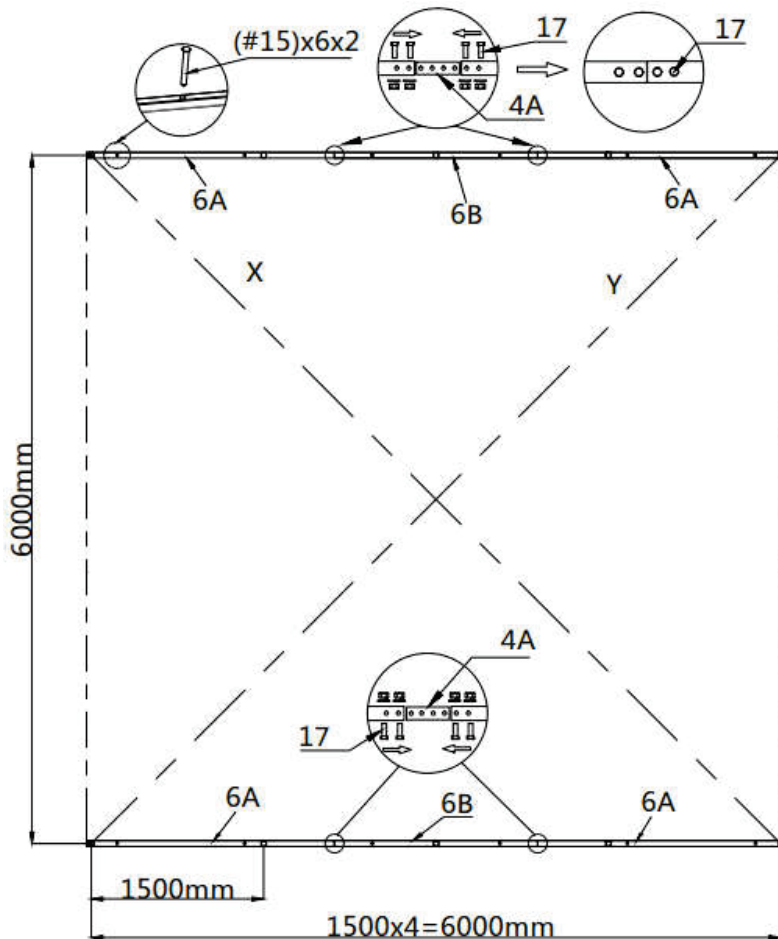


Figure 1

## Step 2 : Assemble all trusses

The building includes 5 trusses : (1) front truss, (1) rear truss, and (3) middle trusses.  
Note : use (#18) at the links of (#3) and (#4) to reinforce the inner side.

- Parts used to install the front and rear truss in this step (refer to figure 2):

- (1x2) Peak arch tube (#1)
- (2x2) Middle rafter tube (#2)
- (2x2) Shoulder tube (#3)
- (2x2) Sidewall tube (#4)
- (2x2) Steel cable mounting plate (#12)
- (34x2) Hex bolt (#17)
- (1x2) Ceiling cross bar (#6)
- (2x2) Reinforcing tube (#6D)
- (12x2) Reinforced tube mounting plate (#6E)
- (6x2) Short casing (#4A)

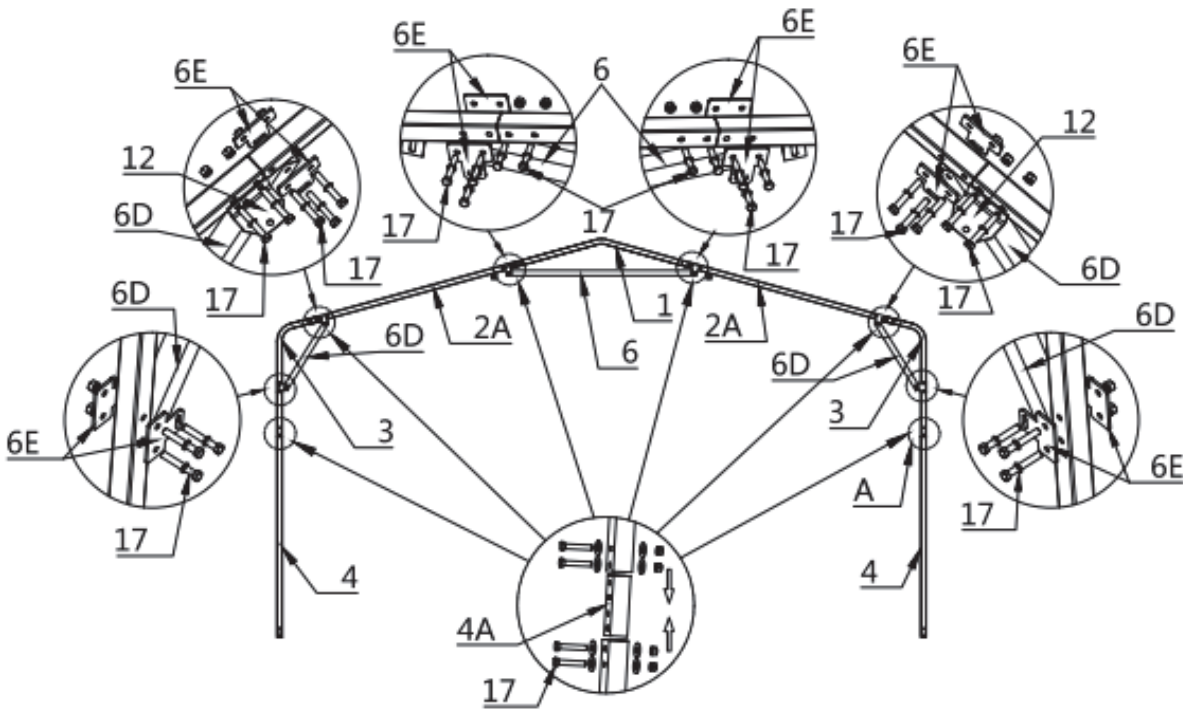


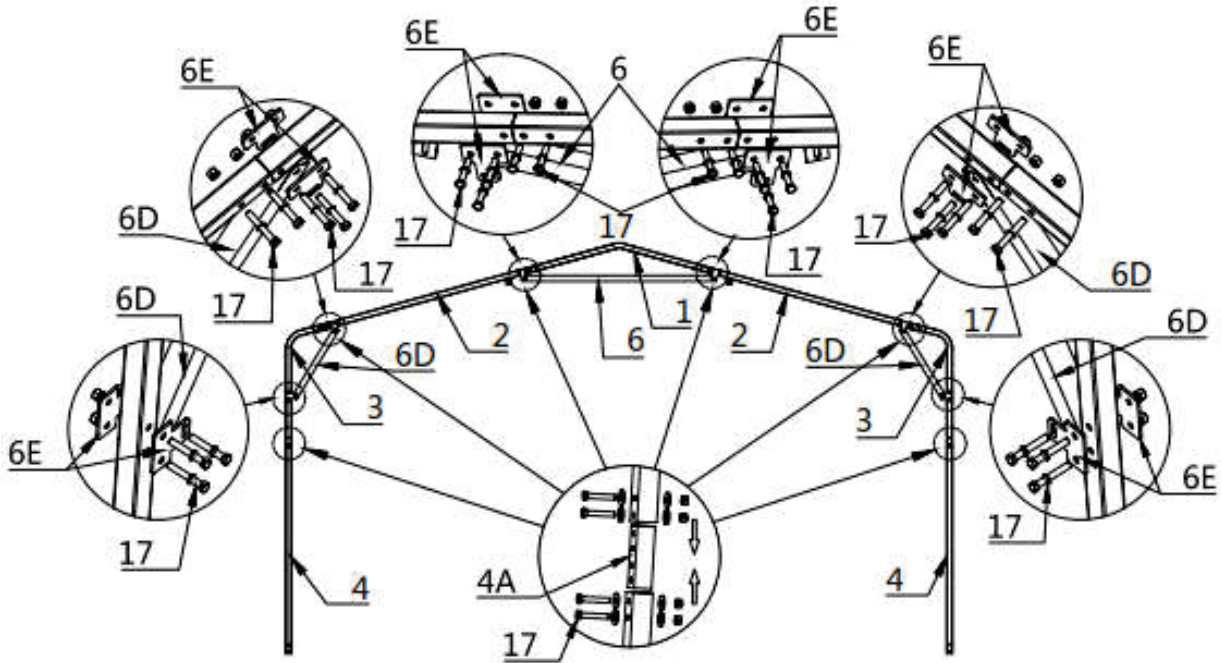
Figure 2

Note : Use (#18) at the links of (#3) and (#4) to reinforce the inner side.

- Parts used to install (3) middle trusses in this step (refer to figure 3).

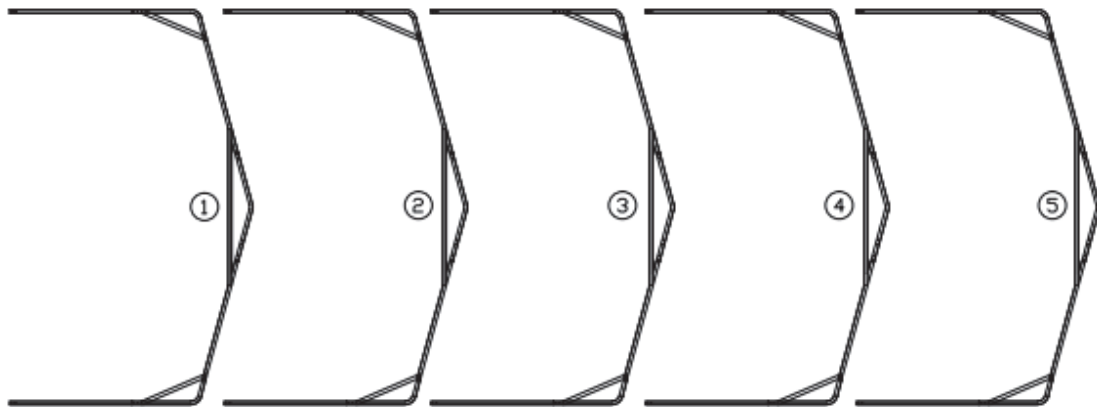
- (1x3) Peak arch tube (#1)
- (2x3) Middle rafter tube (#2)

- (2x3) Shoulder tube (#3)
- (2x3) Sidewall tube (#4)
- (34x3) Hex bolt (#17)
- (1x3) Ceiling cross bar (#6)
- (2x3) Reinforcing tube (#6D)
- (12x3) Reinforced tube mounting plate (#6E)
- (6x3) Short casing (#4A)



**Figure 3**

- Lay down all (5) trusses on the ground when the assembly is all completed and before moving to next step. (refer to figure 4)

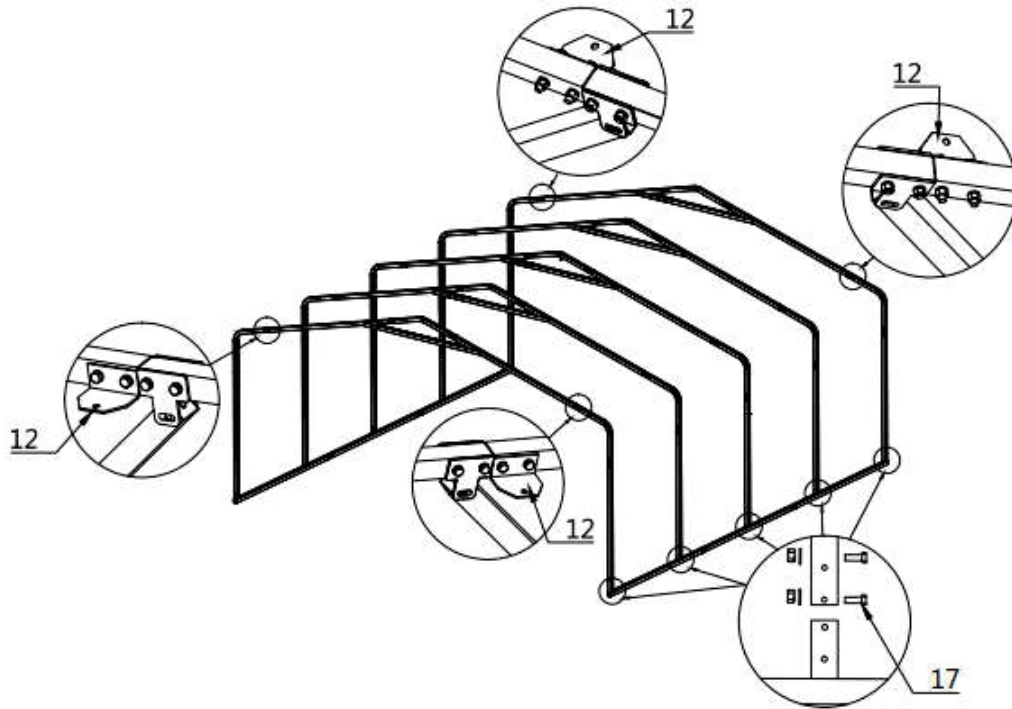


**Figure 4**



**Step 3 : Assemble all trusses to the foundation pipe and connect them with (#17) bolts**

- The front and rear trusses are installed with one side of (#12) Steel cable mounting plate facing outwards. (refer to figure 5)
- Parts used in this step :
  - (20) Hex bolt (#17)



**Figure 5**

- Install top cross bar A (#5C) and top cross bar B (#5D). Use (#21) and (#17) Hexagonal bolt fixation. (refer to figure 6)

Parts used in this step :

- (3) Top cross bar A (#5C)
- (1) Top cross bar B (#5D)
- (3) Short casing (#4A)
- (9) Hex bolt (#17)
- (5) Hex bolt (#21)



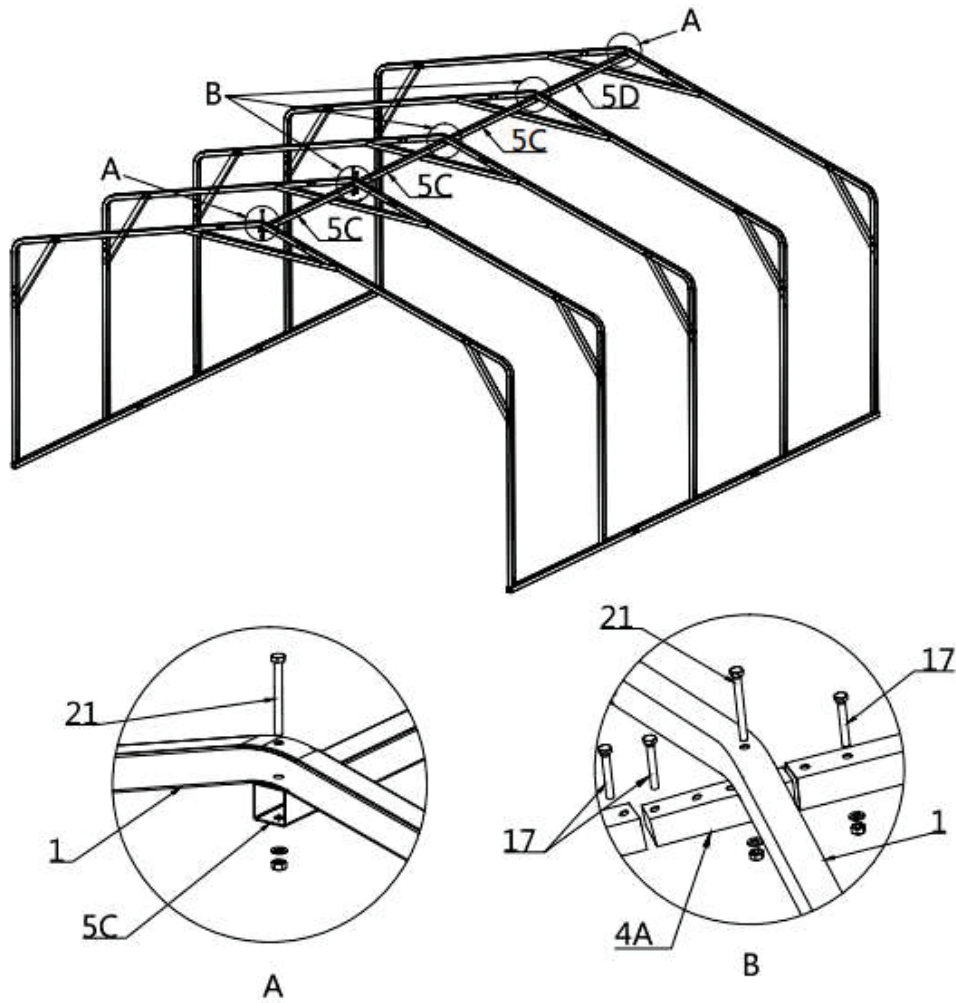
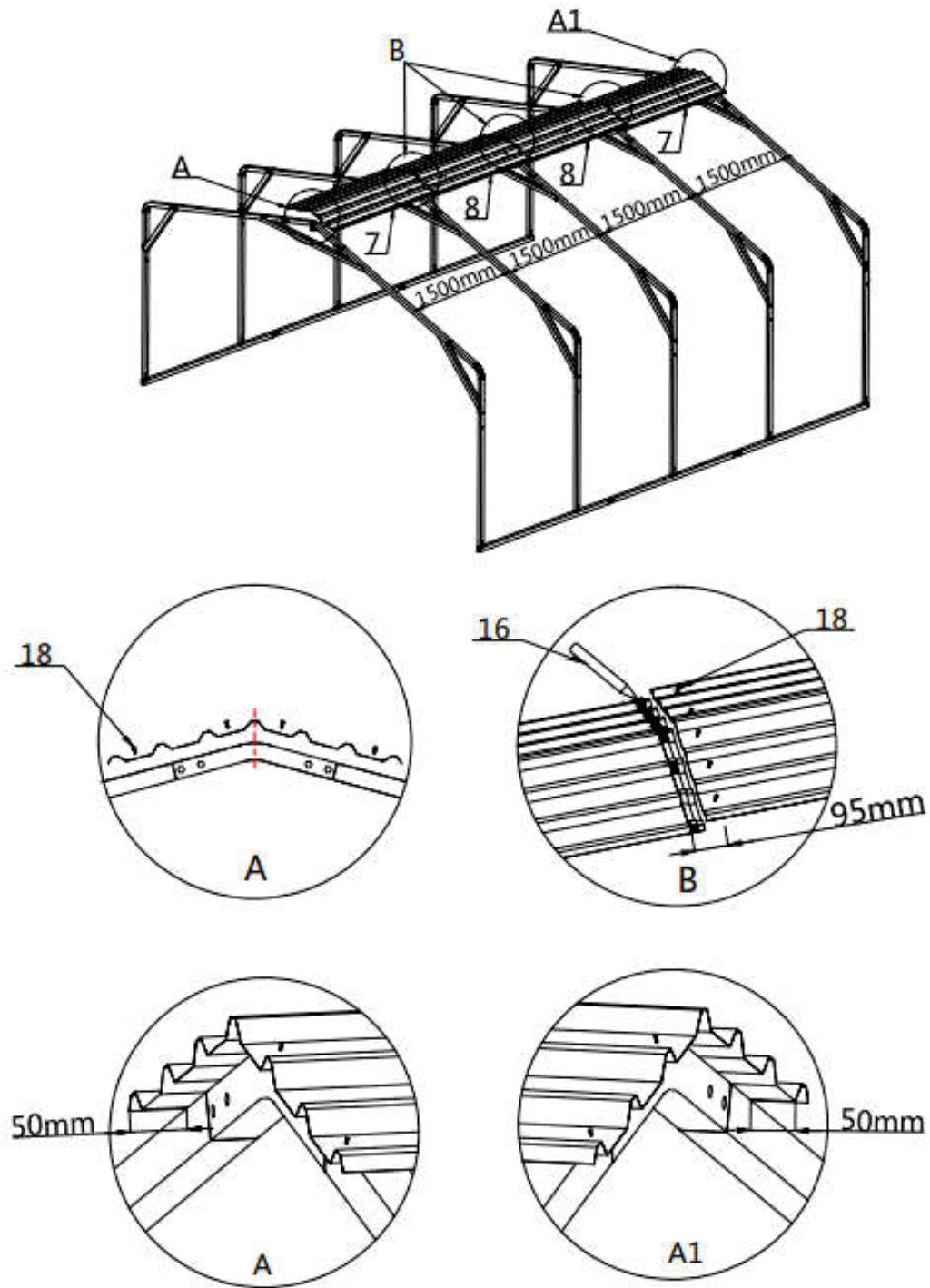


Figure 6

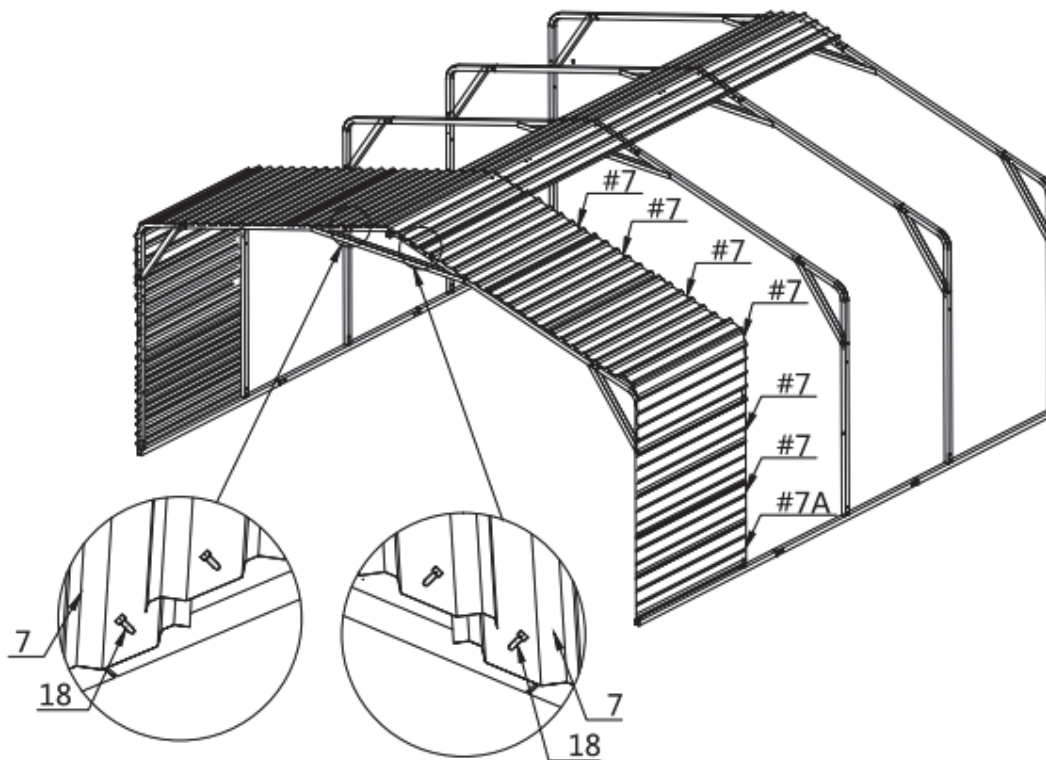
#### Step 4 : Install the color iron tile

- Before installation, ensure that the distance between centers of each collapse is 1500mm. Install the first row of colored steel tiles from the top end. The center of the colored steel tiles must be aligned with the midpoint of the top arch tube (you can mark the center of the top arch tube with a line). The extension size of both ends is 50mm. The size of the middle cross overlap position is 95mm, and the cross overlap position needs to be coated with waterproof silicon sealant. All color steel tiles are fixed on the truss with (#18) self tapping screws. (refer to figure 7)
- Parts used in this step :
  - (26) Metal sheet (#7)
  - (4) Metal sheet (#7A)
  - (26) Metal sheet (#8)
  - (4) Metal sheet (#8A)
  - (250) Self tapping screw (#18)
  - (4) Waterproof silicon sealant (#16)
  - (1) Caulking gun (#16A)



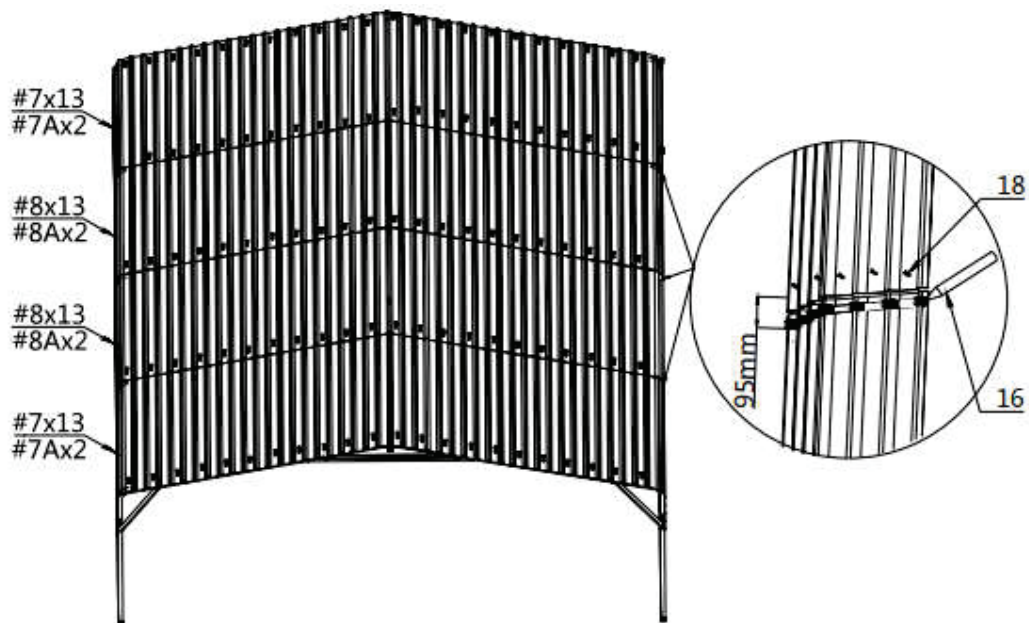
**Figure 7**

- Install the first color steel tile. Take the first colored steel tile at the top as the benchmark, ensure that both ends of each colored steel tile are aligned, and lock it on the truss with (#18) self tapping screw. (refer to figure 8)



**Figure 8**

- Install all color steel tiles in turn, make sure that both ends of each color steel tile are aligned, and apply waterproof silicon sealant (#16) on the butt joint of both ends. The color steel tile (#7A,#8A) are installed at the bottom.(refer to figure 9)



**Figure 9**



### Step 5 : Install the front and rear edging strips

- Start to install the color steel tile edge protector (#9) from one side, and align one end with the color steel tile edge. The opening of the edge banding strip of the color steel tile shall be aligned with the end face of the color steel tile, and the bottom buckle can be pressed into place. It is necessary to use tools to cut out the gap at the corner so that the edge banding strip of color steel tile can be bent and installed (refer to figure 10).
- Parts used in this step :

- (12) Edge buckle (#10)

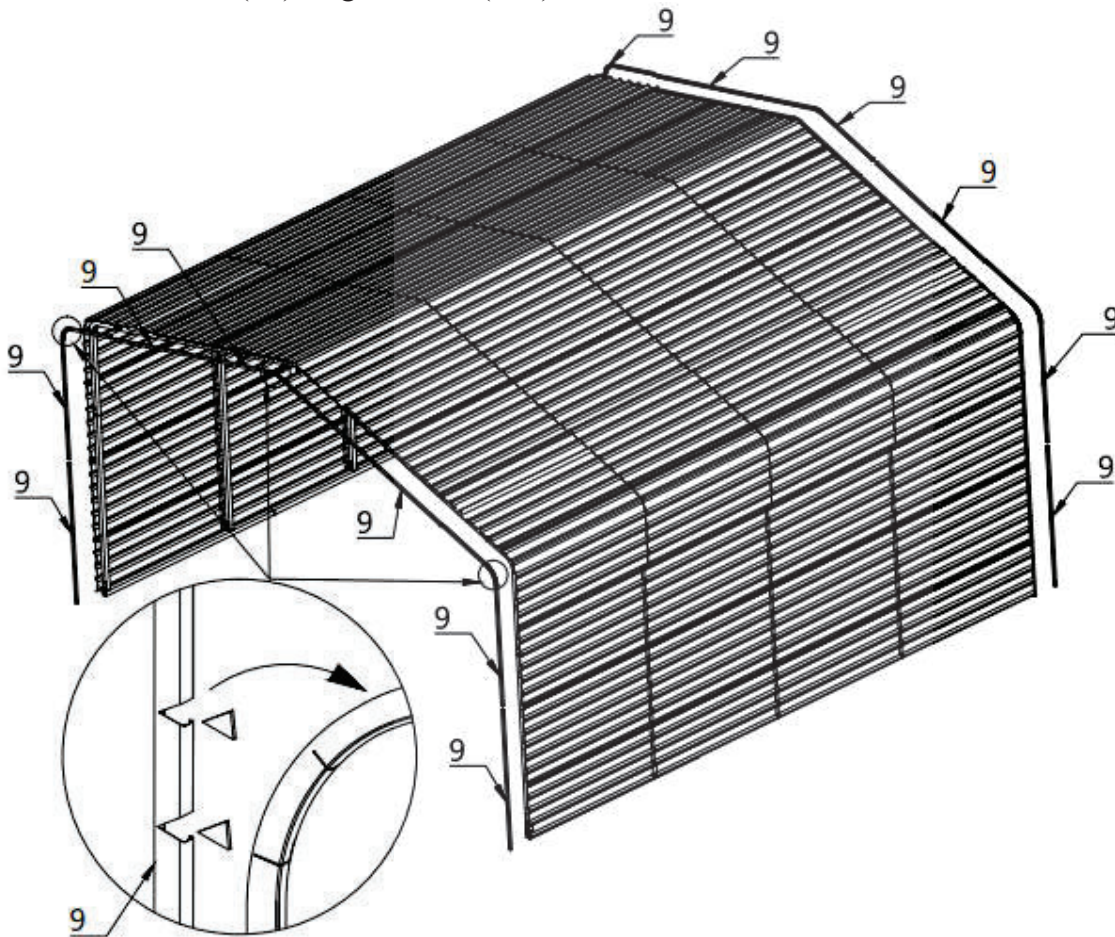
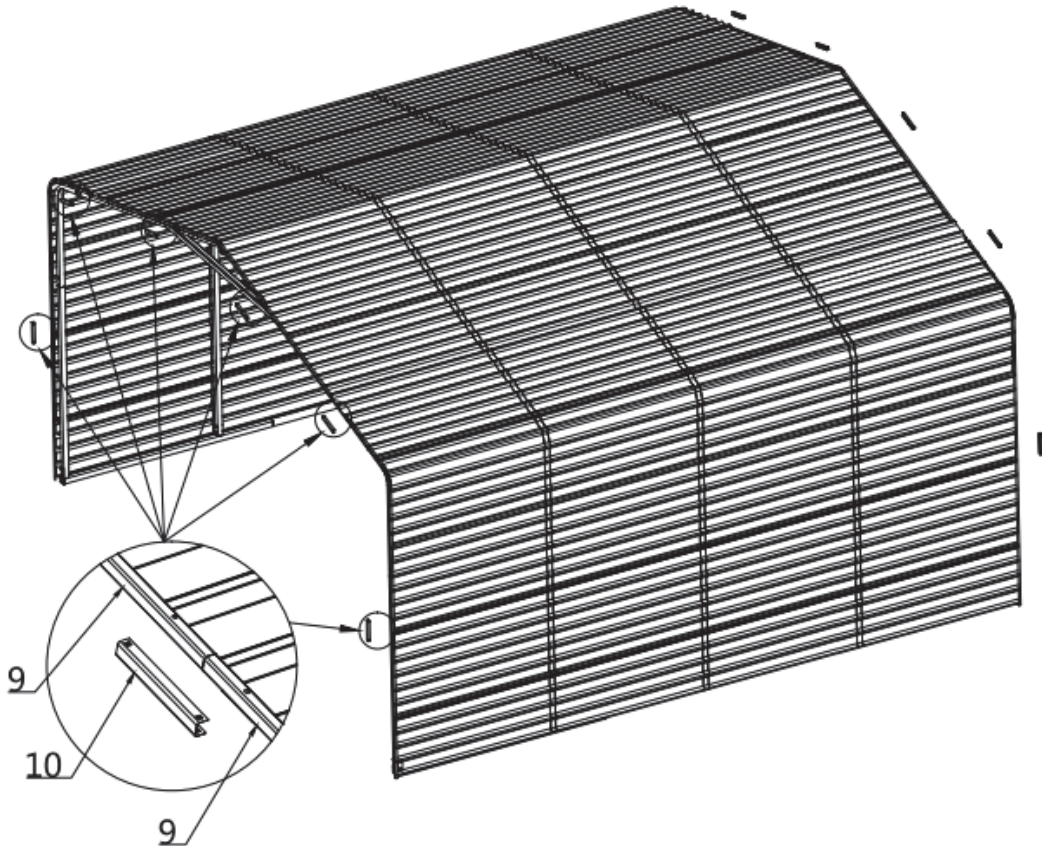


Figure 10

Install the edge buckle (# 10) and the two raised card points of the edge buckle are aligned with the square holes at the interfaces of the two color steel tile edge bands, and then press the buckle in place. The front and rear installation methods are the same. (refer to figure 11 )

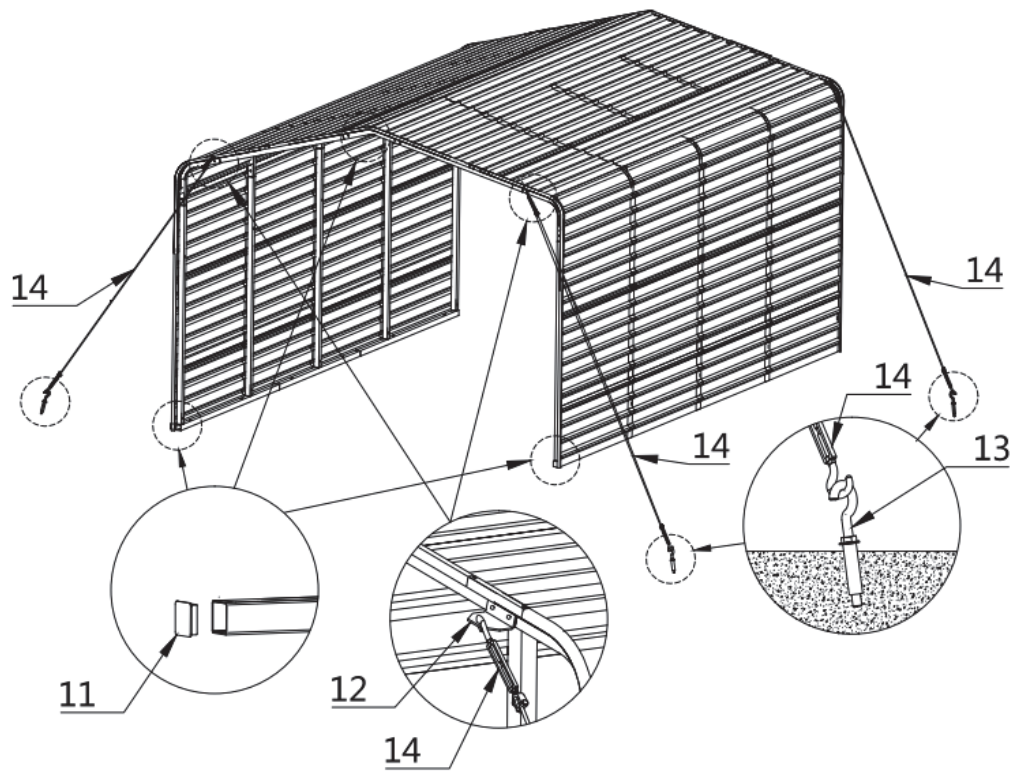
- Parts used in this step :
  - (12) Edge buckle (#10)



**Figure 11**

### **Step 6 : Install the wire rope**

- Put the waterproof plug into the square pipe head. Select a suitable position to fix the expansion bolt of the draw hook on the ground, hook one end of (#14) Steel cable to (#12) Steel cable mounting plate, and fix the other end to (#13) Anchor hook of the draw hook, adjust the nut on the steel wire rope to tighten the steel wire rope (refer to figure 12).
- Parts used in this step :
  - (6) Water plug (#11)
  - (4) Anchor hook (#13)
  - (4) Steel cable (#14)



**Figure 12**

Now that your building is completely installed, we need to check all components and trusses to make sure the whole structure is rectangular. Check whether the connection of color steel tile fits. We provide (#19) rivets, which can be used to fix the color steel tiles where necessary, so that they can fit together to prevent water leakage.

- All bolts installed in this step can now be tightened. Do not over tighten the bolts, otherwise the pipes or components will be damaged.

### **After the Installation**

Walk around and inspect the shelter periodically to make sure all components are still firmly secured and the whole shelter is well supported. Check all bolts and nuts as well as all connection points to make sure they are all in good position. Check the base plates, adjust the ropes and tie downs if required and clean the cover regularly.

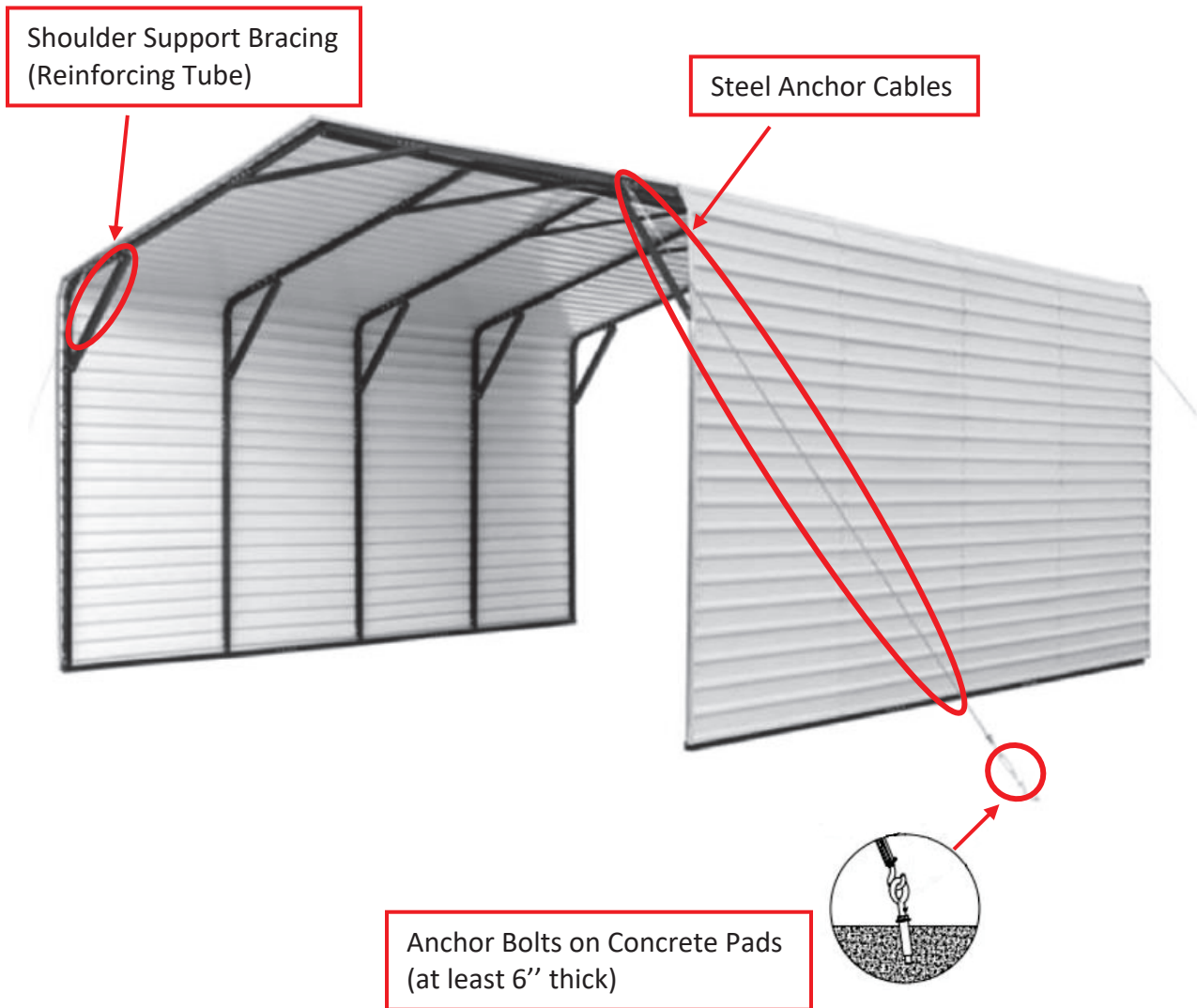
Snow accumulating on the fabric cover must be removed as soon as possible. If snow becomes solid ice on the cover, it will increase the weight on the roof and may collapse the shelter or reduce the life span.

We strongly recommend you remove any snow from the roof immediately. Do not leave any snow load on the roof overnight. Keep 3 feet of clearance on all sides at all times. Do not allow snow to accumulate and pile up on the sides of the building. Otherwise the pressure from the sides will push inwards and could lead to a collapse.



# ATTENTION

**TO ENSURE THAT YOUR CARPORT SHED HAS BEEN SECURELY INSTALLED AND ITS WARRANTY VALIDITY, IT IS IMPORTANT TO READ THE FOLLOWING PAGES CAREFULLY.**





As the owner of your product, it is important to take the necessary steps to ensure its stability and durability, especially in areas where heavy snow or high winds are common. Following these three steps will help prevent any damage due to snow or wind loads, and ensure that the product warranty remains valid.

1. **Shoulder Support Bracing (Reinforcing Tube)**

Shoulder support bracing is installed on both sides of the truss to provide additional support to the structure. This helps to distribute the weight of snow and wind loads evenly across the structure, preventing any one area from bearing too much weight. The bracing should be installed according to the manufacturer's instructions, ensuring that it is securely attached to the truss.

2. **Steel Anchor Cables**

Steel anchor cables are a critical component of the shed's stability, as they hold the shed firmly to the ground and prevent it from being lifted or shifted by wind or snow loads. These cables should be installed on **all four corners** of the shed and attached to the ground using suitable anchors. It is important to ensure that the cables are securely anchored to the ground, as any loosening could compromise the shed's stability.

3. **Concrete Pad and Anchor Bolts**

Installing the shed on a concrete pad or equivalent provides a stable foundation for the shed and helps to prevent it from shifting or settling over time. Anchor bolts should be used to secure the shed firmly to the concrete pad, ensuring that it does not move during high winds or heavy snow loads. It is important to ensure that the anchor bolts are installed according to the manufacturer's instructions and that they are tightened securely.

It is important to note that the shed is not engineered to handle snow and wind loads, and the engineering drawing is not available from the seller. Therefore, it is crucial to check the local building codes and regulations to determine if a permit is required for the installation of the shed. In some areas, a permit may be required for any type of structure, regardless of whether it is engineered to handle snow and wind loads.

If a permit is required and the shed does not meet the engineering requirements, it may not be possible to obtain a permit for its installation. In such cases, it may be necessary to either modify the shed to meet the engineering requirements or to choose a different type of structure that is designed to handle snow and wind loads. Any modifications required to meet building codes and regulations are the sole responsibility and expense of the owner.

In summary, it is important to prioritize safety and compliance with local building codes and regulations to avoid any potential safety hazards or legal issues in the future. By following these three steps, you can ensure the stability and durability of your shed and prevent any damage due to snow or wind loads. Remember, failure to follow these steps may result in the voiding of the product warranty.