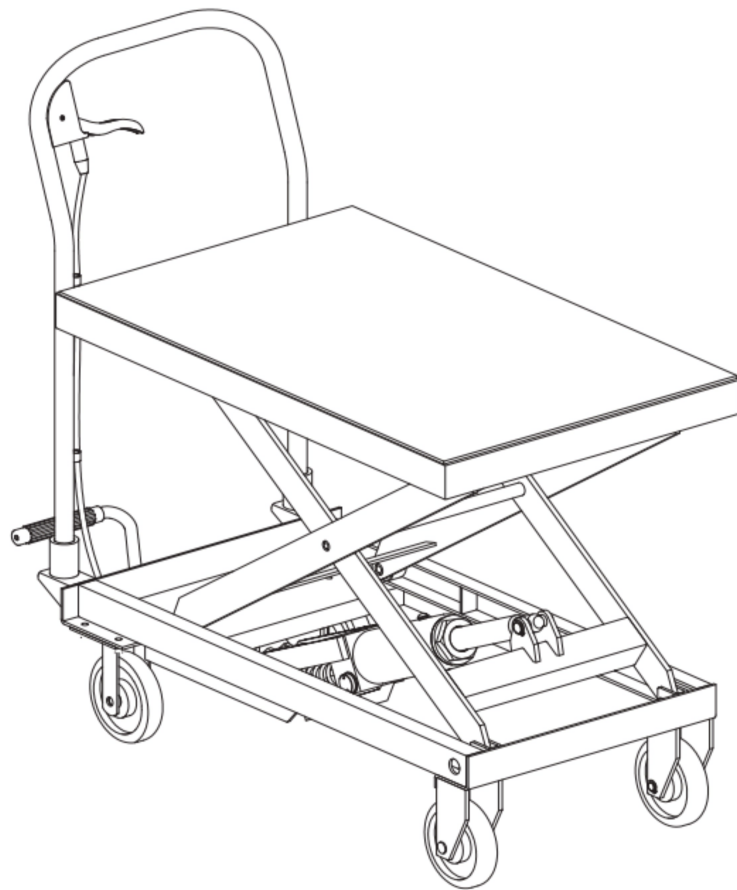


660-LB MOBILE SCISSOR LIFT TABLE



⚠ WARNING



- Please read and understand the product manual completely before assembly
- Check against the parts list to make sure all parts are received
- Wear proper safety goggles or other protective gears while in assembly
- Do not return the product to dealer. They are not equipped to handle your requests.

Missing parts or have questions on assembly?

Please call: 1-877-761-2819 or email: cs@tmgindustrial.com

TECHNICAL SPECIFICATIONS

Model	TMG-ALS03
Capacity	600 lbs
Minimum Height	270 mm
Maximum Height	760 mm
Hydraulic Oil	ISO VG 15

SAFETY MARKINGS

Congratulations on your purchase of a TMG Industrial hydraulic lift table. With proper care this table should bring you years of service.

⚠ WARNING - Read, study and follow all instructions before operating this device. Failure to heed these instructions may result in personal injury and/or property damage.

Throughout this manual you will find the following symbols for caution, warning and danger. Pay particular attention to the notes preceded by these symbols as they are written for your safety. Ultimately, safe operation of this device rests with you, the operator.



Indicates a potentially hazardous situation which, if not avoided, may result in minor or moderate injury. This notation is also used to alert against unsafe practices.



Indicates a potentially hazardous situation which, if not avoided could result in death or serious injury.



If you find that the lifting range per stroke is too small: pls lift the table to 2/3 of the maximum height, then loosen oil plug" and then tighten it.

LIFT TABLE MAIN COMPONENTS

DESCRIPTION	QUANTITY
1. Lift table Assembly	1
2. Lifting pedal	1
3. Handle Assembly	1

ASSEMBLY INSTRUCTIONS

1. Your Hydraulic Table is almost completely assembled when you open it. To complete the assembly find the parts above enclosed with your table.
2. Place the Lifting Pedal (24) into the hole (26), Secure with Bolt M8x25 (25) to fix up.
3. Place the Push Handle (22) into the tube of base assembly (32), secure with Bolt M8x35 (23) to fix up. With brake thread through the handle assembly and the hole on the base, then with Bolt M8x20 (9) to fix up on the release valve link bar.
4. Your assembly is complete! Use the rubber mat for the table toop when needed.

SAFETY PRECAUTIONS



WARNING-DO NOT EXCEED RATED CAPACITY

WARNING - Do not use the Hydraulic Table in lifting or moving or persons.

WARNING - This table was designed for use on hard, level surfaces capable of sustaining the load. Use on other than hard, level surfaces could result in load instability and possible loss of load resulting in property damage and personal injury.

DANGER - Keep clear of the scissor lifting frame beneath the table for lifting or lowering operations. Scissor lifts have pinch areas between the frames which can cause serious injury if hands or feet are not well clear of this area.

WARNING - Do not use attachments or adapters of any type to modify this lift.

SAFETY PRECAUTIONS

WARNING - Set the brakes on the rear casters when loading or unloading.

CAUTION - When not in use the table shall be fully lowered. Lock in a safe, dry place and keep away from children.

CAUTION - Do not over-reach. Keep loads evenly balance over the center of the table. Excessive loads on the top or sides of the table may be unstable with the danger of the table toppling over and causing injury or property damage.

WARNING - Failure to heed these warning may result in personal injury and/or property damage.

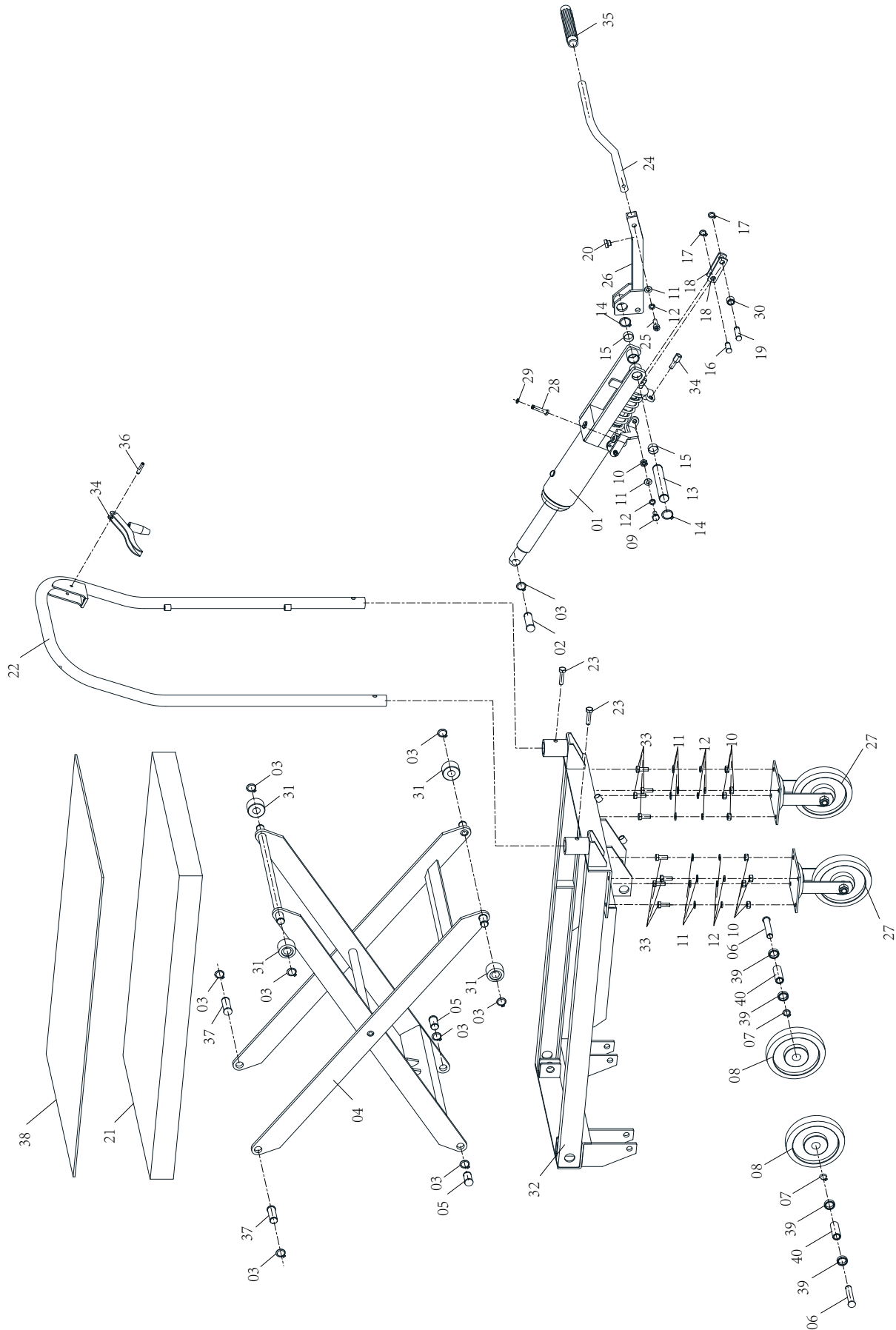
GENERAL TIPS FOR SAFE OPERATION

1. Keep work area clean. Cluttered work areas invite injury. Do not use in damp, wet or poorly lit locations.
2. Keep table wiped down and clean. Do not expose to prolonged wet or corrosive conditions.
3. Cover the table and store it in a dry, protected environment.

MAINTAINNENCE

1. Periodically check the tightness of mounting bolts and electrical connections. Remove all dirt or corrosion and always keep clean.
2. Lubricate the wheels to maintain smooth roiling.
3. Inspect all joints and bolts periodically. Remove from service if any cracking or if the frame is bent or deformed.

HYDRAULIC TABLE CART PARTS LIST



PARTS LIST

NO	DESCRIPTION	QTY
1	Pump	1
2	Pin	1
3	Shaft Retaining ring 12	9
4	Lift frame	1
5	Shaft	2
6	Pin	2
7	Shaft Retaining ring 8	2
8	Wheel	2
9	Bolt M8x20	1
10	Nut M8	9
11	Washer 8	19
12	Spring washer 8	10
13	Shaft	1
14	Shaft retaining ring 20	2
15	Bearing	2
16	Pin	1
17	Shaft retaining ring 10	2
18	Connecting plate	2
19	Pin	1
20	Bumper	1

NO	DESCRIPTION	QTY
21	Top table	1
22	Brake handle	1
23	Bolt M8x35	2
24	Lifting pedal	1
25	Bolt M8x25	1
26	Lifting pedal assembly	1
27	Caster assembly	2
28	Pin	1
29	Shaft retaining 8	1
30	Bushing	1
31	Wheel	4
32	Base assembly	1
33	Bolt M8x28	8
34	Zipper part	1
35	Step handle	1
36	Pin 6x22	1
37	Pin	2
38	Rubber mat	1
39	Bushing	4
40	Shaft	2