

1100-LB MOBILE MOTORCYCLE LIFT



- Please read and understand the product manual completely before assembly
- Check against the parts list to make sure all parts are received
- Wear proper safety goggles or other protective gears while in assembly
- Do not return the product to dealer. They are not equipped to handle your requests.

Missing parts or have questions on assembly?
Please call: 1-877-761-2819 or email: cs@tmgindustrial.com

TECHNICAL SPECIFICATIONS

| | |
|----------------|-----------|
| Model | TMG-ALM50 |
| Capacity | 500 kgs |
| Lifting Height | 75-450mm |
| Net Weight | 53.8 kgs |
| Hydraulic Oil | ISO VG 15 |

WARNING

- This Hydraulic Jack is designed for use by professional auto mechanics.
- It is designed for lifting and lowering a vehicle load.
- The bottle jack should not be used as a stand to hold load for any prolonged period. Use the safety arm to support weight.
- Failure to heed this warning may result in loss of load, damage to jack and/or jack failure resulting in personal injury or property damage.

SAFETY MARKINGS

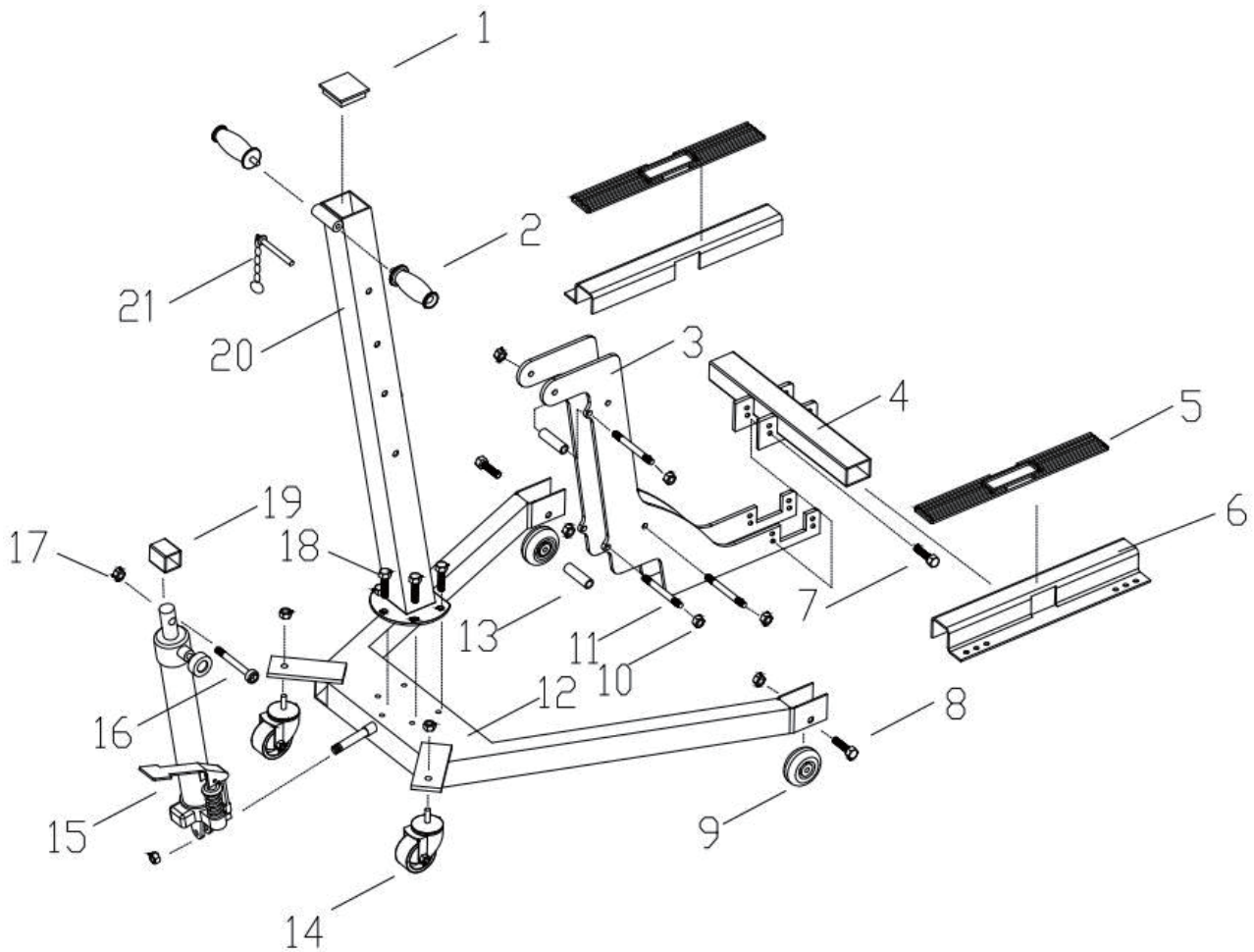
WARNING!

1. Please make sure to read and understand these instructions before operating motorcycle jack.
2. Do not exceed the 500kg load limit.
3. Keep hands clear of all moving parts when operating jack.
4. Release relief valve slowly when lowering motorcycle.
5. Do not place body or body parts under the raised motorcycle.
6. Do not use jack on inclined surfaces, use on a smooth, level and stable surface.
7. Do not start the motorcycle while it is loaded on the jack.
8. Lift motorcycle to the minimum required height for working on motorcycle.
9. Replace jack with vehicle stands if supporting motorcycle for prolonged periods.

MAINTENANCE

1. Lubricate the moving parts on the jack regularly with SAE 30W oil. Moving parts include saddle, linkage on foot pedal, front & rear lifting arm joints.
2. Always store jack in the fully lowered position.

PARTS BREAKDOWN AND LIST



PARTS LIST

| NO | DESCRIPTION | QTY |
|----|----------------|-----|
| 1 | Pressure gauge | 1 |
| 2 | Handle | 2 |
| 3 | Lifting frame | 2 |
| 4 | Base cross bar | 1 |
| 5 | Rubber pad | 2 |
| 6 | Pallet | 2 |
| 7 | Bolt | 8 |
| 8 | Bolt | 2 |
| 9 | Wheel | 2 |
| 10 | Nut | 3 |
| 11 | Bolt | 3 |

| NO | DESCRIPTION | QTY |
|----|----------------|-----|
| 12 | Base | 1 |
| 13 | LINER PIPE | 3 |
| 14 | WHEEL | 2 |
| 15 | HYDRAULIC PUMP | 1 |
| 16 | BOLT | 1 |
| 17 | NUT | 1 |
| 18 | BOLT | 5 |
| 19 | LINER TUBE | 1 |
| 20 | POST | 1 |
| 21 | PIN | 1 |