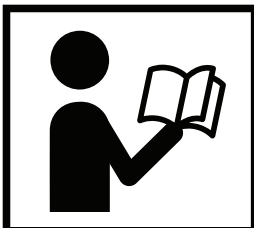


1100-LB LOW-PROFILE DESIGN TRANSMISSION JACK



⚠ WARNING



- Please read and understand the product manual completely before assembly
- Check against the parts list to make sure all parts are received
- Wear proper safety goggles or other protective gears while in assembly
- Do not return the product to dealer. They are not equipped to handle your requests.

Missing parts or have questions on assembly?

Please call: 1-877-761-2819 or email: cs@tmgindustrial.com

SPECIFICATION

MAXIMUM CAPACITY	500KG
RETRACTED HEIGHT	215MM
MAXIMUM HEIGHT	565MM

WARNING

- Read and understand all operating instructions before use.
- The vehicle must be properly supported and blocked before starting repairs.
- Use a transmission jack of the proper size and capacity to handle the anticipated load. This jack is rated for a maximum load of 500kgs. Do not overload beyond the rated capacity. Overloading may cause damage to or failure of the jack.
- Keep hands, fingers and arms away from moving parts of the jack at all times.
- Lower the load slowly and avoid sudden starts or stops that may cause the load to shift.
- This jack is designed for use on a hard, level surface capable of sustaining the load. Use on other surfaces can result in jack instability and possible loss of load.
- This transmission jack is designed and intended for use by properly trained and experienced personnel only. If you are not familiar with the proper and safe operation of a transmission jack do not operate the jack until training and knowledge have been obtained.
- The use of this jack is limited to the removal, installation and transportation in the lowered position of transmissions and differentials.
- Failure to comply with all of these warnings may cause loss of load, damage to the jack and or failure of the jack resulting in serious injury or property damage.

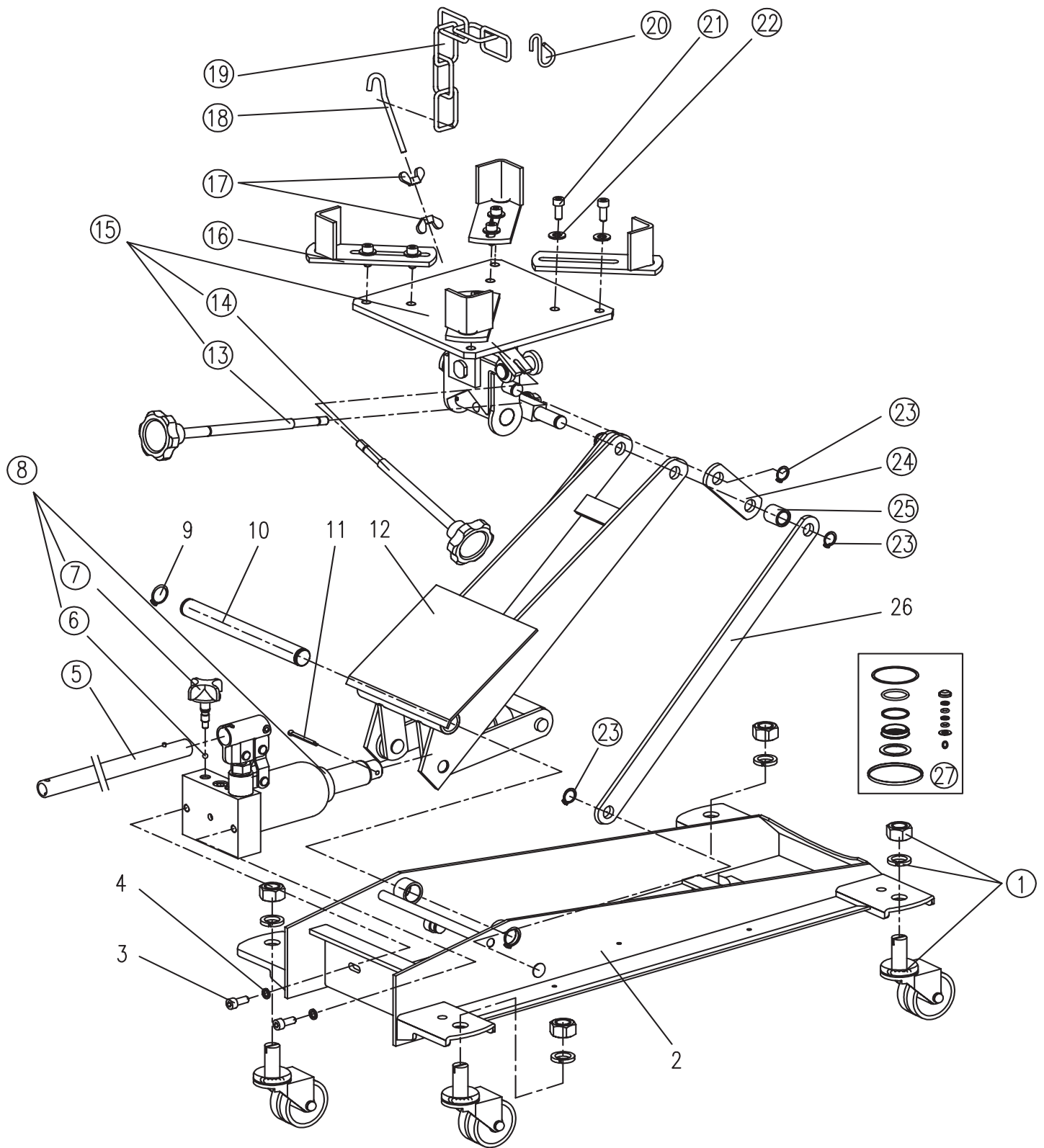
OPERATION

1. Move the jack into position
2. Turn the knob fully clockwise to close the valve
3. Move the pump lever up and down to raise the saddle
4. Adjust the angle screws to align with the shape of the transmission
5. Adjust the angle brackets and the chain to secure the transmission on the saddle
6. Remove the transmission from the vehicle
7. Turn the knob counter clockwise slowly to lower the saddle. Always lower the saddle slowly. Always transport the load in the lowered position with the chains securely fastened.
8. Reverse this procedure when mounting the transmission.

MAINTENANCE

The hydraulic cylinder assembly contains hydraulic fluid that must be kept within 80% of full at all times for proper operation. To check the level and to fill:

1. Remove the screw
2. Fill with clean hydraulic fluid only
3. Replace the screw
4. Lubricate the shaft threads of the angle screw assembly with tube grease when necessary.



REF#	PART #	DESCRIPTION	QTY
1	TE05001.5(ASM)	Caster assembly	4
2		Frame assembly	1
3		Bolt M8X16mm	2
4		Spring washer M8	2
5	TE05001-01	Handle	1
6	GB308-6	Steel ball Ø6mm	1
7	QF4.2A(ASM)	Release valve assembly	1
8	TE05001.3	Pump assembly	1
9		C-clip Ø22	2
10		Supporting shaft	1
11		Cotter pin Ø4X40mm	1
12		Lifting arm	1
13	TE05001.4-5(ASM)	Adjustable screw(long) M12X268.5mm	1
14	TE05001.4-7(ASM)	Adjustable screw(short) M12X213.5mm	1
15	TE05001.4(ASM)	Platform assembly	1
16	TE05001.4-1(ASM)	Sliding plate assembly	4
17	GB62-M6	Butterfly nut M6	2
18	TE05001-04	Hook M6X105mm	1
19	TEL05001-02	Chain	1
20	TE05001-06	S-hook	1
21	GB5783-M10X16	Bolt M10X16mm	8
22	GB97.1-10	Washer M10	8
23	GB894.1-16	C-clip φ16	6
24		Connecting bar for platform assembly	2
25	TE05001.4-8	Shaft sleeve	2
26		Connecting bar	2
27	TE05001.MF	Seal kit	1

WARRANTY INFORMATION: Please refer to our website for detailed warranty conditions and coverage. For the most up-to-date and comprehensive warranty information, visit www.tmgindustrial.com