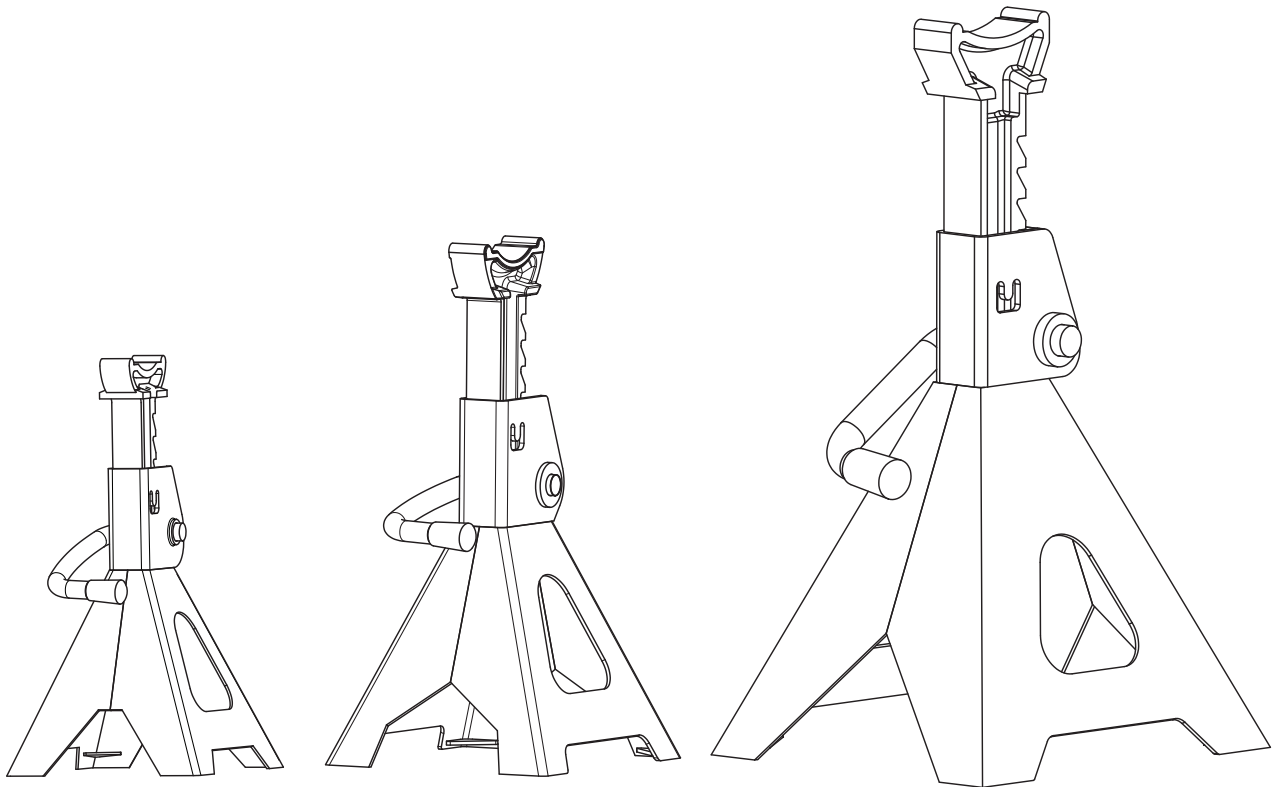
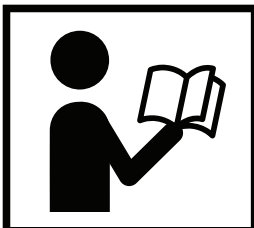


### MODEL TMG-AJS03/06/12

# 3/6/12 TON JACK STAND



#### ⚠ WARNING



- Please read and understand the product manual completely before assembly
- Check against the parts list to make sure all parts are received
- Wear proper safety goggles or other protective gears while in assembly
- Do not return the product to dealer. They are not equipped to handle your requests.

Missing parts or have questions on assembly?

Please call: 1-877-761-2819 or email: [cs@tmgindustrial.com](mailto:cs@tmgindustrial.com)

## SAFETY INSTRUCTIONS

1. Study, understand, and follow all instructions before operating this device.
2. Do not exceed rated capacity.
3. Use only on hard, level surfaces, with less than 3 degrees of slope.
4. Center load on saddle.
5. Use as a matched pair only.
6. Stands are not to be used to simultaneously support both ends of a vehicle.
7. No alterations shall be made to this product.
8. Support only on areas of the vehicle as specified by the vehicle manufacturer.
9. Only attachments and/or adapters supplied by the manufacturer shall be used.
10. Use wheel chocks or other blocking device on opposing wheels before using jack stands.
11. Do not use jack stands for any use other than the manufacturer specified usage.
12. Do not use if damaged in any way.
13. NEVER use jack stands on a lawn mower or lawn tractor.
14. Do not move or dolly the vehicle while on support stands.
15. Do not rock the vehicle while working on or around equipment.
16. The following are not recommended for supporting on this equipment: Foundations, Homes, Mobile Homes, Trailers, RV's, Campers, nor Fifth Wheels, etc...
17. Failure to heed these markings may result in personal injury and/or property damage.

## SPECIFICATION

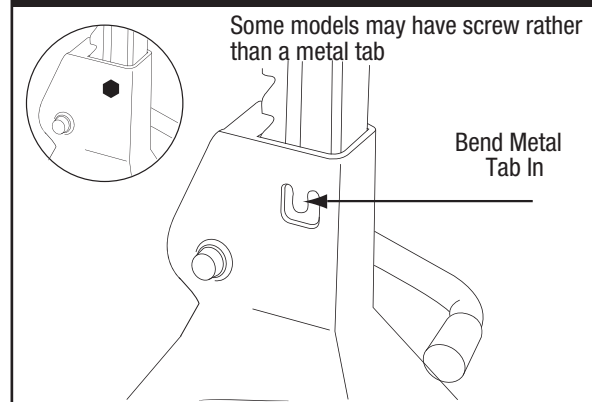
Item	Capacity	Min. Height (mm)	Max. Height (mm)	N.W. (Pairs) (kgs)
TMG-AJS03	3 Ton	285	425	6.2
TMG-AJS06	6 Ton	393	593	13.4
TMG-AJS12	12 Ton	465	715	27.4

## OPERATION

- Put the jack stands on hard level ground
- Adjust height by pulling up on ratchet.
- Place load on the center of saddle for safety it is strongly recommended that lifting means not be removed while jack stands are supporting the vehicle.
- Secure ratchet by turning stopper to hold load. Make sure stopper has been securely inserted.
- Release stopper and let ratchet glide down to the lowest position when storing the jack stand.
- Read the instruction manual completely and keep it for further information purpose .
- secure lifted loads with jack stands immediately

- If the operator is not fluent in English, the product and safety instructions shall be read to and discussed with the operator in the operator's native language by the purchaser/owner or his designee, making sure that the operator comprehends their contents.
- Inspect before each use DO NOT USE IF BENT BROKEN OR CRACKED COMPONENT ARE NOTED. prevent corrosion. Clean as needed and wipe with an oily cloth and keep in dry area when not in use.

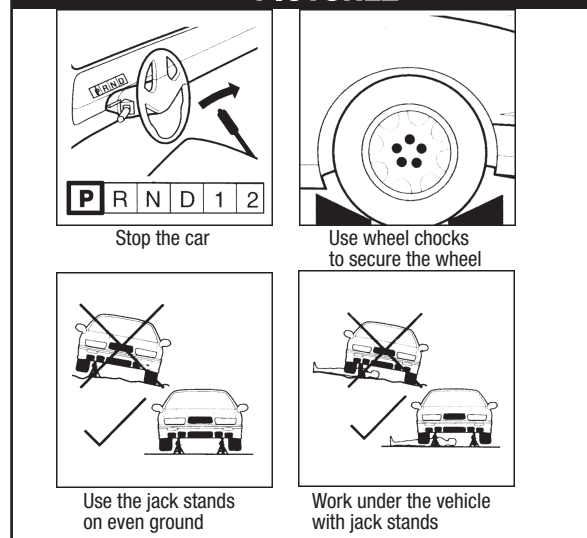
PICTURE 1



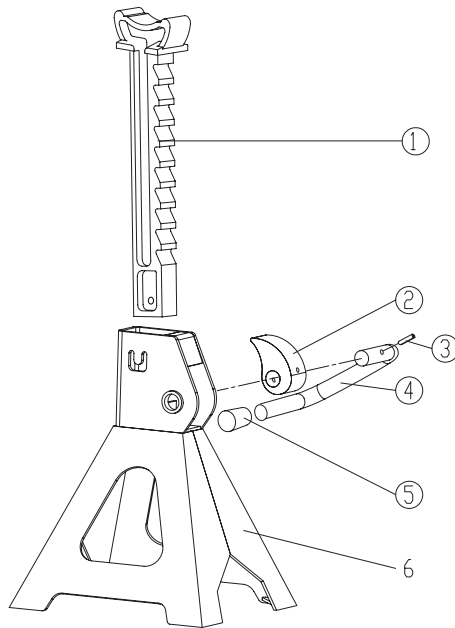
Visual inspection shall be performed before each use of the stand by checking abnormal condition, such as cracked welds, leaks and damaged, loose, or missing parts if stand is believed to have been subjected to abnormal load or shock inspection shall be made by authorized repair facility.

Equipment that appears damage or worn or operates abnormally shall be removed from service until repair. Repair should be made by authorized repair facility. Annual inspection of the stand is recommended and should be made by the manufacturer's or supplier's authorized repair facility to ensure that you stand is optimum conditions and that the stand has correct decals and safety labels specified by the manufacturer.

PICTURE2

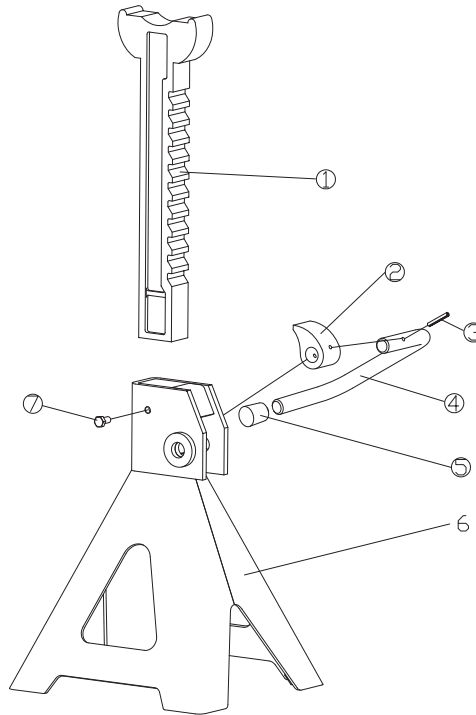


# ASSEMBLY DIAGRAM



Ref.	Description				Qty
	TMG-AJS03		TMG-AJS06		
1	Ratchet bar				1
2	Locking pawl				1
3	Spring pin Ø4x25mm	Spring pin Ø4x25mm	Spring pin Ø4x30mm	Spring pin Ø4x30mm	1
4	Locking handle				1
5	Handle sleeve				1
6	Base frame				1

# ASSEMBLY DIAGRAM



Ref.	Description	Qty
1	Ratchet bar	1
2	Locking pawl	1
3	Spring pin Ø5x35mm	1
4	Locking handle	1
5	Handle sleeve	1
6	Base frame	1
7	Hex head bolt M8x16mm	1

Safe Operating Temperature is between 40°F – 105°F  
(4°C - 41°C)