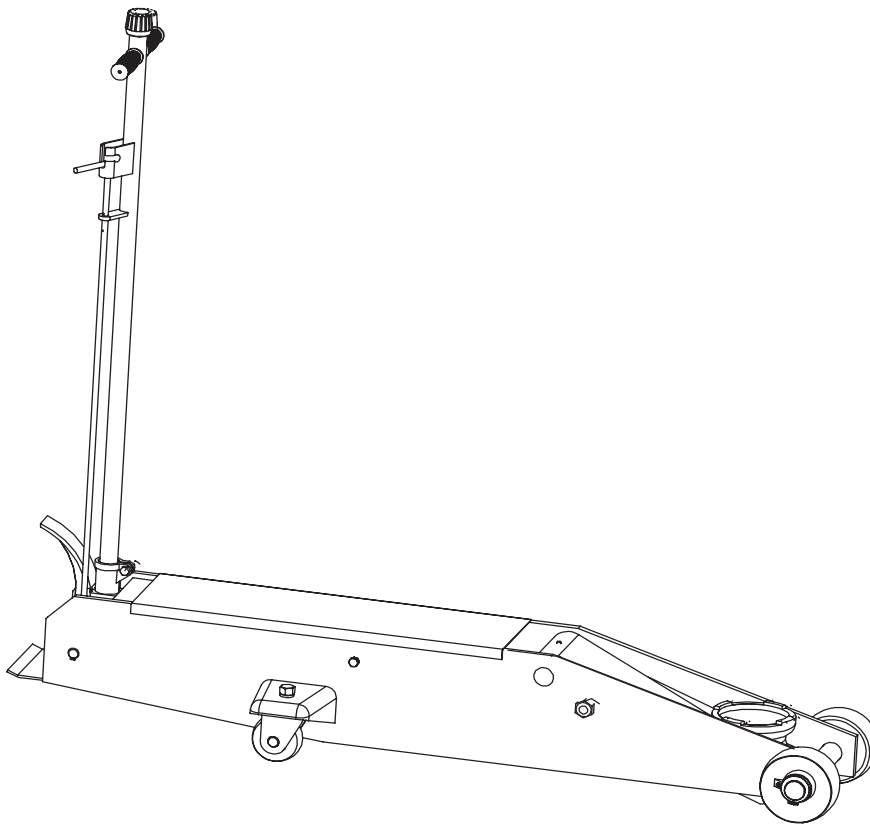


15/20 TON LIFTING CAPACITY LONG CHASSIS SERVICE JACK



- Please read and understand the product manual completely before assembly
- Check against the parts list to make sure all parts are received
- Wear proper safety goggles or other protective gears while in assembly
- Do not return the product to dealer. They are not equipped to handle your requests.

Missing parts or have questions on assembly?
Please call: 1-877-761-2819 or email: cs@tmgindustrial.com

SPECIFICATIONS

Model	Capacity (TON)	Min. Height (MM)	Max. Height (MM)	Product Size (MM)	N.W./G.W. (kg)	Package Size (mm)
TMG-AJL15	15	220	680	1550X560X305	165/180	1650X370X430
TMG-AJL20	20	220	680	1550X560X305	215/230	1650X370X430

WARNING!!

1. This is a lifting device ONLY. Do not move or dolly the vehicle while on the jack.
2. Position this jack to ONLY lift on the areas of the vehicle as specified by the vehicle manufacturer.
3. After lifting the vehicle, ALWAYS support the load with appropriately rated vehicle support stands BEFORE working on the vehicle.
4. Do not overload this jack beyond its rated capacity. Overloading can cause damage to or failure of the jack.
5. This jack is designed ONLY for use on hard level surfaces capable of sustaining the load. Use on other than hard level surfaces can result in jack instability and possible loss of load.
6. Center load on jack saddle BEFORE lifting vehicle. Off-center loads and loads lifted when the jack is not level can cause loss of load or damage to the jack.
7. Study, understand and follow all instructions in this manual BEFORE operating the jack.
8. Failure to read these warnings may result in loss of load, damage to the jack and/or jack failure resulting in personal injury or property damage.

OPERATING INSTRUCTIONS

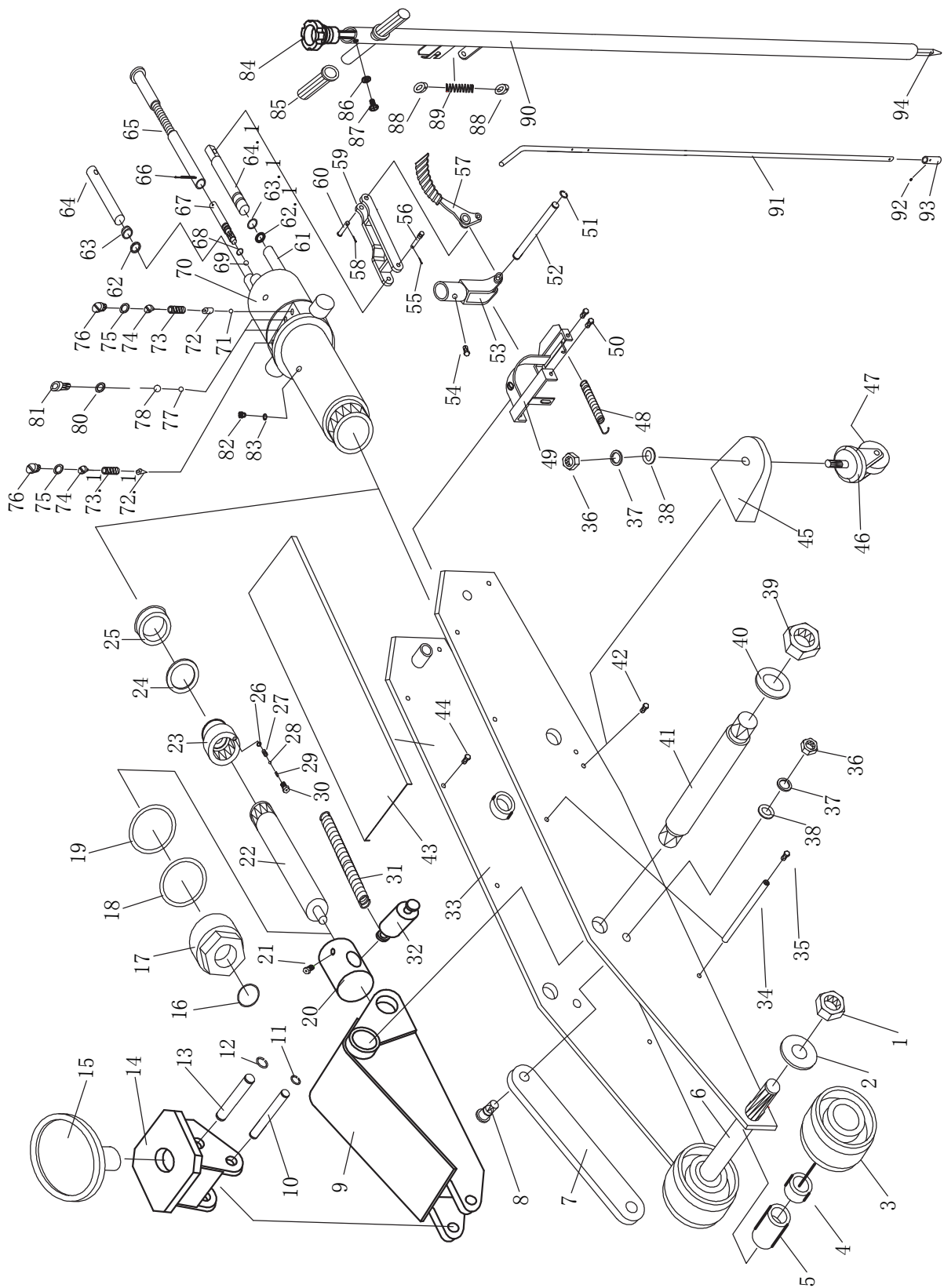
Important: Sometimes during shipment and handling, air gets into the hydraulic system, causing poor lifting performance. Before initial operation, purge any air from the system by fully opening release (Turn handle knob (84) counter-clockwise). Then, while holding the saddle down, pump pedal(57) rapidly several times.

Raising jack

1. Turn handle knob(84) clockwise until resistance is felt to close release valve. Do not over-tighten.
2. Place jack directly under object to be lifted. Make sure saddle takes up weight firmly and centrally. Check positioning under slight load to confirm jack or load will not slip.
3. Raise jack by pumping handle until desired height is reached. After lifting, secure load by appropriate means. Do not use jack as the only means of support.

Lowering jack

1. Slowly turn handle knob(84) counter-clockwise. Speed of descent is controlled by amount release valve is turned.



Please note that repair parts of the shadow area is not included in the general product (TRA150001-1 and TRA200001-1) , They belong to the Quick lift jack (TRA150001-K and TRA200001-K) .

REPAIRE PARTS LIST

Ref.No	Description	QTY	Ref.No	Description	QTY
1	Nut M30	2	48	Spring	1
2	Washer Ø30	2	49	Fixed mount	1
3	Front wheel	2	50	Bolt M10*30	4
4	Axle sleeve	2	51	Check ring Ø18	2
5	Sleeve	1	52	Connecting axle	1
6	Front axle	1	53	Pressure to press hand	1
7	Connecting bar	2	54	Bolt M8*16	1
8	Connection screw	2	55	R-pin	1
9	Rise arm	1	56	Pin	1
10	Bracket axle	1	57	Footstep	1
11	Check ring Ø25	2	58	R-pin	1
12	Check ring Ø32	2	59	Connecting bar	1
13	Bracket axle	1	60	Pin	1
14	Bracket	1	61	Pump cylinder	1
15	Tray	1	62	Bowl shape-ring	1
16	O-ring	2	63	Ptfe ring	1
17	Top nut	1	64	Mandril	1
18	O-ring	1	65	Connecting spring axle	1
19	Nylon-ring	1	66	Pin	1
20	Connector sleeve	1	67	Unloading valve	1
21	Screw	1	68	O-ring	2
22	Piston rod	1	69	Ball Ø6	1
23	Piston	1	70	Cylinder valvebody parts	1
24	Ptfe ring	1	71	Ball Ø7.14	1
25	Bowl shape-ring	1	72	Ball cup	1
26	Metal pad	1	73	Pressure spring	1
27	Spring	1	74	Screw	2
28	Ball Ø5	1	75	O-ring	2
29	Mandril	1	76	Screw	2
30	Hight pressure screw	1	77	Ball Ø6	2
31	Spring	2	78	Ball Ø9	2
32	Connector axle	1	80	Metal pad	2
33	Wallboard	2	81	Hight pressure screw	2
34	Connecting axle	2	82	Screw	2
35	Bolt M16*40	4	83	Rubber pad	2
36	Nut M16	4	84	Hand wheel	1
37	Lock washer	4	85	Hand sleeve	2
38	Washer Ø16	4	86	Washer	1
39	Nut M39	2	87	Screw	1
40	Washer Ø40	2	88	Check ring	2
41	Rise arm screw	1	89	Spring	1
42	Bolt M16*35	4	90	Handle	1
43	Cover board	1	91	Stop lever	1
44	Screw	2	92	Pin	3
45	Wheel foot	2	93	Fix shaft	1
46	Caster part	2	94	Mandril	1
47	Wheel	2	72.1	Cone valve	1
62.1	Q-ring	2	73.1	Pressure spring	1
63.1	Ptfe ring	2	64.1	Mandril	1

WARRANTY INFORMATION:

Please refer to our website for detailed warranty conditions and coverage.

For the most up-to-date and comprehensive warranty information, visit www.tmgindustrial.com