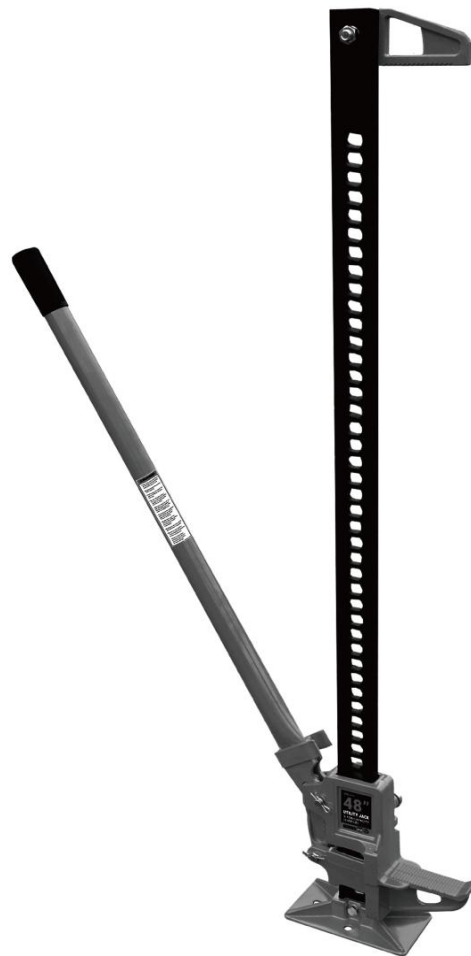


6600-LB 48" OFF-ROAD FARM JACK



- Please read and understand the product manual completely before assembly
- Check against the parts list to make sure all parts are received
- Wear proper safety goggles or other protective gears while in assembly
- Do not return the product to dealer. They are not equipped to handle your requests.

Missing parts or have questions on assembly?
Please call: 1-877-761-2819 or email: cs@tmgindustrial.com

SPECIFICATIONS

SPECIFICATIONS	48"
Capacity:	3Ton
Minimum LiftHeight:	125mm
Maximum LiftHeight:	1020mm
SaddleSize:	114mm x38mm
Basesize:	180 mm x 100mm
HandleLength	768mm
Dimensions:	1220mmx267mmx101.6mm
NetWeight	13kgs.

SAFETY PRECAUTIONS

1. Be sure base of jack is on firm and level ground
2. Be sure jack will not slip after load is applied
3. Be sure lifting arm is fully under load is applied
4. Be sure the load is stabilized before lifting so that will not shift when lifting or lowering
5. Do not work under vehicle after lifting unless you have jack stands supporting the vehicle
6. Do not push load off the jack: lower carefully
7. Do not use handle extensions.
8. Do not carry jack by handle.

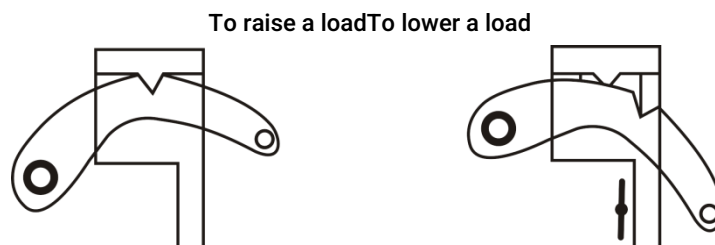
OPERATING INSTRUCTIONS

RAISING A STATIONARY LOAD:

1. Securely chock and stabilize the wheels not being lifted to prevent rolling or shifting
2. Position the jack's base on a firm, level and dry surface with the standard(column) vertical
3. Pull up the reversing latch until it locks in the up position
4. Pull the handle away from the standard(column) and lift the handle or handle socket until the jack's saddle is securely positioned under the load.
5. Use two hands to activate the jack to raise the load to the desired height. The load will raise on every down stroke of the handle. Stop lifting the load if the load or jack become unstable. Readjust the setup to prevent the unstable condition and recheck the wheels. Never use an extension on the handle
6. When the load is at the desired height, place the handle up against the standard(column) until the handle clip spring engages the standard(column)
7. After lifting immediately position jack stands under the load and follow directions under Lowering a Stationary Load. Do not attempt to go under a load if it is not supported by jack stands or adequate means.

IMPORTANT

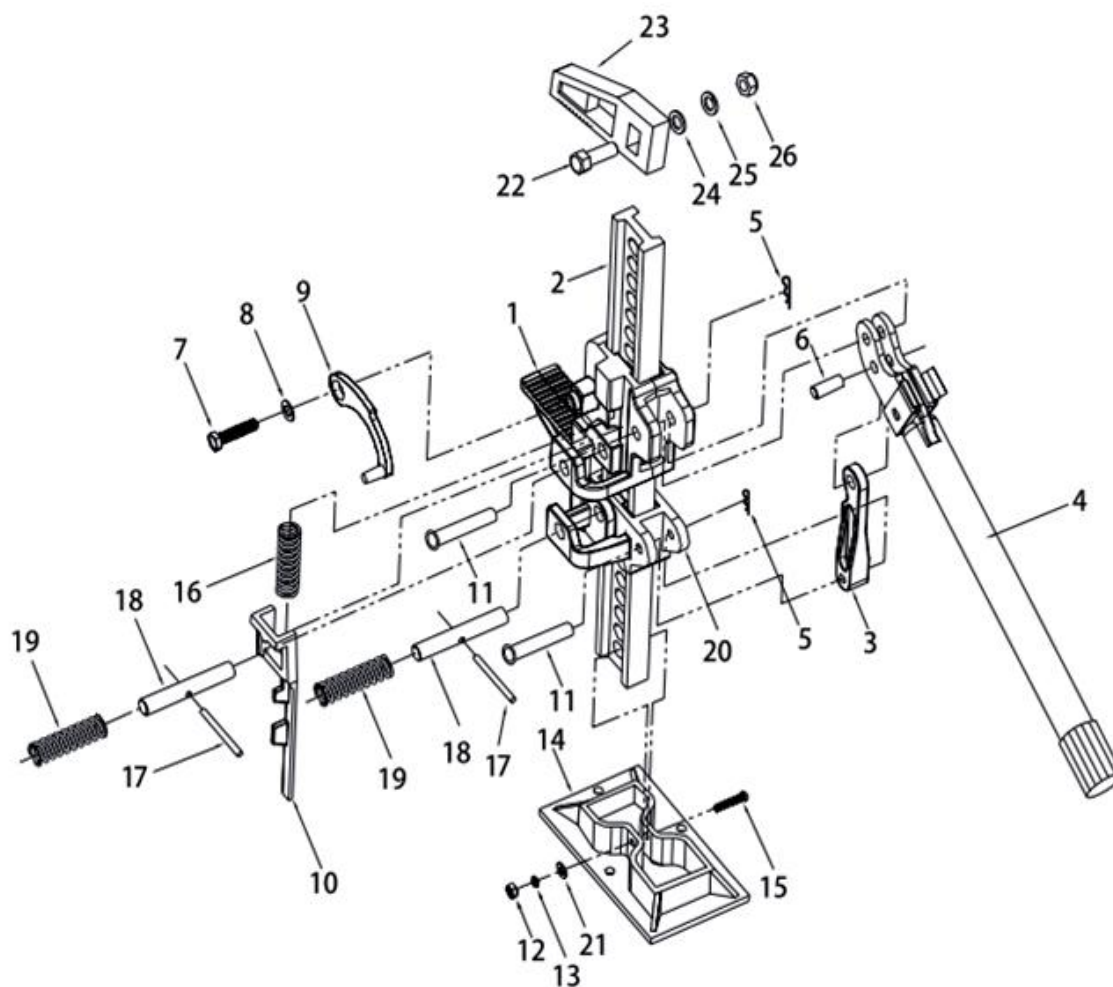
1. Do not use extensions on the handle
2. Always keep a firm hold on the handle.



LOWERING A STATIONARY LOAD

1. Always keep your head away from the jack handle path of movement.
2. Make sure the handle is up against the standard(column) and the handle clip spring engages the standard(column).
3. While holding the handle up against the standard(column) push the reversing latch down until it is engaged. Do not allow the handle to come away from the standard(column) before the reversing latch is engaged in the down position. This will prevent the handle from moving up and down rapidly.
4. Activate and never remove your hands from the handle during lifting or lowering operations.
5. Do not attempt to go under a load if it is not supported by jack stands or adequate means.
6. The jack must be subjected to at least 150 lbs of load to lower step by step otherwise the jack 's saddle will slide down to the base and drop the load.
7. Activate the handle with two hands until the load is safely supported by the jack stands.
8. When the work or repair is finished follow directions under Raising a Stationary Load to lift the load off the jack stands. Remove the jack stands and follow directions under Lowering of Stationary Load to lower the load down to the ground.

PARTS LIST



NO	DESCRIPTION	QTY
1	Lifting Arm	1
2	Steel Rail	1
3	Connecting Rod	1
4	Handle Assembly	1
5	R-Clip	2
6	Pin	1
7	Screw	1
8	Washer	1
9	Reversing Lever-Silver	1
10	Reversing Latch -Silver	1
11	Pin	2
12	NutM8	1
13	Spring Washerφ 8	1

NO	DESCRIPTION	QTY
14	Base	1
15	BoltM8*35	1
16	Spring	1
17	Reverse Rod Pin	2
18	Reverse Rod	2
19	Spring	2
20	Small Runner	1
21	Flat Washerφ 8	1
22	ScrewM12*40	1
23	Stop Block	1
24	Flat Washerφ 12	1
25	Spring Washerφ 12	1
26	NutM12	1

WARRANTY INFORMATION: Please refer to our website for detailed warranty conditions and coverage. For the most up-to-date and comprehensive warranty information, visit www.tmgindustrial.com