

MODEL TMG-AFM40/AFM48

ATV Tow-behind Finish Mower



- Please read and understand the product manual completely before assembly
- Check against the parts list to make sure all parts are received
- Wear proper safety goggles or other protective gears while in assembly
- Do not return the product to dealer. They are not equipped to handle your requests.

Missing parts or have questions on assembly?

Please call: 1-877-761-2819 or email: cs@tmgindustrial.com

Warnings and Safety Precautions.	2
Owner's Responsibility	2
Important Safety Precautions	2
General Safety Rules.	2
Safety labels.	3
Introduction	4
Application	4
Terminology	4
Owner Assistance	4
Serial Number Plate	4
Assembly and operation	5
Assembly.	5
How to Start The Mower.	6
How to Stop The Mower.	6
Tow Bar Offset Adjustment.	6
Mower Tips.	6
Tow Vehicle Recommendations	6
Maintenance, Service, and Storage	7
How to Change Engine Oil.	7
How to Tension and Replace Belt	7
Storage	7
Troubleshooting and Repair.	7
Maintenance Schedule.	8
Ordering Replacement Parts	8
Troubleshooting Guide	9
Bolt Torque	10
Parts Illustrations	11

Warnings and Safety Precautions

Owner's Responsibility

Accurate assembly and safe and effective use of the mower is the owner's responsibility.

- Read and follow all safety instructions.
- Carefully follow all assembly instructions.
- Maintain the machine according to directions and schedule included in this operator's manual.
- Ensure that anyone who uses the mower is familiar with this manual, all controls and safety precautions.

Important Safety Precautions

Operate the mower according to the safety instructions and recommendations outlined here and inserted throughout the text. Anyone who uses this mower must read the instructions and be familiar with the controls.

- Do not allow children to operate this mower. Keep small children away from the area being mowed.
- Do not allow adults to operate the mower without proper instruction.

General Safety Rules

- Read, understand, and follow all instructions of the machine. Be thoroughly familiar with the controls and the proper use of the mower before starting.
- Familiarize yourself with all of the safety and operating decals on this equipment and on any of its attachments or accessories.
- Do not put hands or feet near or under rotating parts.
- Only allow responsible individuals, who are familiar with the instructions, to operate the mower.
- Thoroughly inspect the area where the machine is to be used and remove all foreign objects. Your equipment can propel small objects at high speed causing personal injury or property damage. Stay away from breakable objects, such as house windows, automobile, greenhouses, etc.
- Keep the area of operation clear of all persons, particularly small children, and pets.
- Wear appropriate clothing such as a long-sleeved shirt or jacket. Also wear long trousers or slacks. Do not wear shorts.
- Do not wear loose clothing or jewelry. They can get caught in moving parts.
- Always wear safety goggles or safety glasses with side shields when operating mower to protect your eyes from foreign objects which can be thrown from the unit.
- Always wear work gloves and sturdy footwear. Wear footwear that will improve footing on slippery surfaces. Leather work shoes or short boots work well for most people. These will protect the operator's ankles and shins from small sticks, splinters, and other debris.
- It is advisable to wear protective headgear to prevent the possibility of being struck by small flying particles, or being struck by low hanging branches, twigs, or other objects which may be unnoticed by the operator.
- Do not operate the mower without proper guards or other safety protective devices in place.
- Use this equipment for its intended purpose only.
- See manufacturer's instructions for proper operation and installation of accessories. Only use accessories approved by the manufacturer.
- Operate only in daylight or good artificial light.
- Do not operate product when fatigued or under the influence of alcohol, drugs or other medication which can cause drowsiness or affect your ability to operate this machine safely.
- Never operate mower in wet grass. Always be sure of your vehicle's traction; keep a steady pace and do not exceed the recommended maximum speed in this manual.
- Before each use, inspect the throttle control lever. Make sure that it is free and not damaged. Also check its linkage running to the carburetor for kinks, loose fittings, and obstructions.
- Stop the rotating mower head when crossing gravel drives, walks, or roads. Wait for the cutting blades to stop rotating.
- Watch for traffic when operating near, or when crossing roads.
- Stop the engine (motor) whenever you leave the equipment, before cleaning, repairing or inspecting the unit, be sure the mower and all moving parts have stopped. Let the engine cool, disconnect the starting wire harness plug and remove the ignition key.
- If the equipment should start to vibrate abnormally, stop the engine (motor), disconnect the starting wire harness plug and remove the ignition key. Check immediately for cause. Vibration is generally a warning of trouble.
- After striking a foreign object, stop the engine (motor). Disconnect the starting wire harness plug and remove the ignition

key. Inspect the mower for damage. If damaged, repair before starting and operating the mower.

- Never leave the mower unattended when the engine is running. Disconnect the starting wire harness plug and remove the ignition key.
- Regularly inspect the mower. Make sure parts are not bent, damaged or loose.
- Allow muffler and engine areas to cool before touching.
- Never operate or have engine running without having mower attached to suitable tow vehicle.
- Prolonged exposure to noise and vibration from gasoline engine powered equipment should be avoided. Take intermittent breaks and/or wear ear protection from engine noise.
- Check local regulations for age restrictions on use of this machine.
- If the noise or vibrations of the machine increase, stop immediately and perform an inspection.
- The fuel used in this machine is considered extremely flammable and should be handled with care. When storing extra fuel be sure that it is in an appropriate container and away from any fire hazards.

Safety Labels

Your finish mower comes equipped with all safety labels in place. They were designed to help you safely operate your equipment. Read and follow their directions.

1. Keep all safety labels clean and legible.
2. Refer to this section for proper label placement. Replace all damaged or missing labels.
3. Some new equipment installed during repair requires safety labels to be affixed to the replaced component as specified by TMG. When ordering new components make sure the correct safety labels are included in the request.
4. Refer to this section for proper label placement. To install new labels:
 - 1) Clean surface area where label is to be placed.
 - 2) Spray soapy water onto the cleaned area.
 - 3) Peel backing from label and press label firmly onto the surface.
 - 4) Squeeze out air bubbles with edge of a credit card or with a similar type of straight edge.



Introduction

TMG welcomes you to the growing family of new product owners. This implement has been designed with care and built by skilled workers using quality materials. Proper assembly, maintenance, and safe operating practices will help you get years of satisfactory use from the rotary tiller.

Application

This flail mower is designed to be towed behind an ATV or 4-wheeler, but can be towed by any vehicle with a 2" hitch ball. The swiveling tow bar hitch means that it follows the ground regardless of the angle to the towing vehicle. The tow bar hitch can be adjusted laterally to 5 positions. Simple and stable structure made from robust steel plating.

The flail mower is equipped with an easy to start petrol engine and is designed to withstand many different conditions. The flail mower is easily height adjustable. It also has a full-width support roller to avoid damage to the machine, rotor and blades.

Terminology

"Right" or "Left" as used in this manual is determined by facing the direction the machine will operate while in use unless otherwise stated.

Owner Assistance

The Warranty Registration card should be filled out by the dealer at the time of purchase. This information is necessary to provide you with quality customer service. If customer service or repair parts are required contact a dealer. A dealer has trained personnel, repair parts and equipment needed to service the machine. The parts on your machine have been specially designed and should only be replaced with genuine parts.

Serial Number Plate

For prompt service always use the serial number and model number when ordering parts from your dealer. Be sure to include your serial and model numbers in correspondence also.

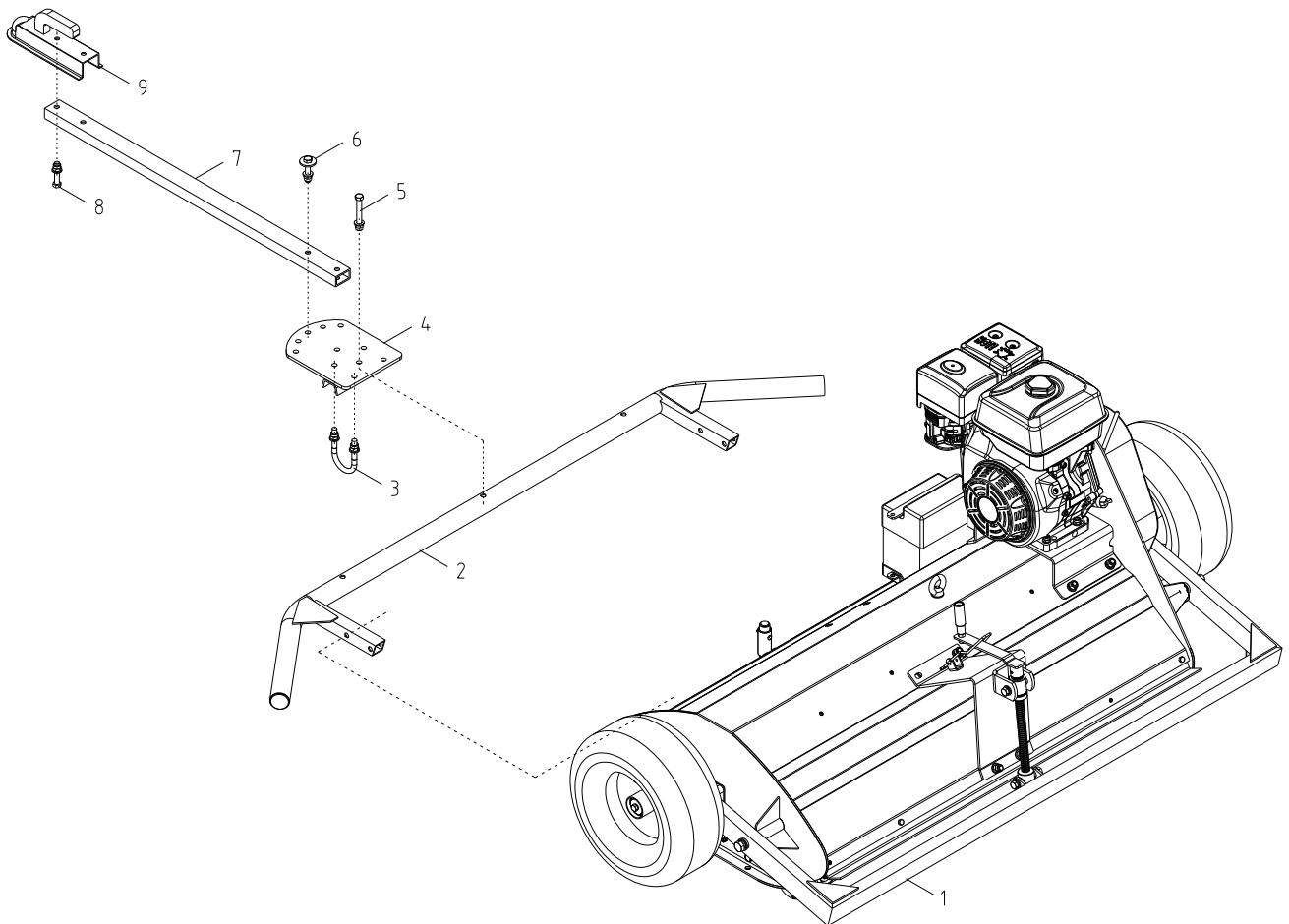


Assembly and operation

Assembly

1. Remove all loose parts or packaging from the crate, check goods without damaged and omission.
2. Check the packing list as below,

Part No.	Ref. No.	Parts Description	Qty
1	MF120.01	Frame and Rotor Assembly	1
2	MF120.01.012	Protection Frame	1
3	MF120.01.103	U hoop 68	2
4	MF120.01.013	Degree Bracket	1
5	GB/T5782-2000	Bolt M12x90	1
6	GB/T5782-2000	Bolt M12x60	2
7	MF120.01.102	Tow Bar	1
8	GB/T5782-2000	Bolt M12x60	2
9	GM-8610	Hitch-Ball Couplers 2"	1



3. Assembly the part 2, 3, 4, 5, 6, 7, 8, 9 for a tow bar assembly, and then assembly the tow bar to the part 1 (frame and rotor assembly).

How to Start the Mower

1. Make sure the starting wire harness plug is plugged in.
2. For cold starts, put the throttle control lever to the CHOKE position.
3. Turn the key switch to the center position RUN position and then to the START position for no more than 5 seconds. Repeat up to 3 times until the engine starts. (If engine fails to start after 3 attempts, refer to Trouble Shooting Guide). When the engine starts, release the key to the RUN position.
4. Slowly adjust the throttle to the RUN position as the engine warms up. For best performance, operate the engine with the throttle in the RUN position.

How to Stop the Mower

1. Move the throttle control to the IDLE position.
2. Turn the key to the STOP position. Always remove the key for safety.

NOTE: Do not use the CHOKE position to stop the engine. Engine back fire can occur and can cause engine damage.

Tow Bar Offset Adjustment

1. Offset the tow bar hitch degree brackets as follows:
 - a. Remove the bolt (Part 6 in section Assembly) and loosen the bolt (Part 5 in section Assembly).
 - b. Position the tow bar at the desired numbered offset hole on the degree bracket.
 - c. Tighten all bolts.

Mower Tips:

- Never operate outside of tow vehicle recommendations.
- If the weeds or grass are tall and thick, operate the mower at a slower towing speed.
- Frequently clean the underside of the mower to remove any grass build up. See the "Maintenance, Service and Storage" section for details.
- Do not mow on excessively steep slopes. Never use the mower on slopes greater than 20 degrees using any type of tow vehicle. Do not mow on slopes when the ground is slippery or wet. Mow up and down the face of the slope, not across.
- Do not operate tow vehicle over 5 mph on flat terrain, or 4 mph on rough terrain while towing the mower.
- Do not use a commercial or non-commercial automobile, truck, sport utility vehicle (SUV) or motorcycle, as defined by the Wisconsin Department of Motor Vehicles, to tow the ATV Flail Mower. These vehicles make it difficult to see and control the mower. Use of these tow vehicle types will void the warranty.

Tow Vehicle Recommendations:

We recommend a tow vehicle be either two or four wheel drive. Some suitable suggestions are listed below:

- Compact or Sub-compact tractor,
- Utility Vehicle (UTV)
- All-Terrain Vehicle (ATV)
- Lawn/Garden Tractor (17 HP and above and weighing at least 500 lbs.)
- Riding lawn mowers with engines under 17 HP and weighing less than 500 lbs. are not suitable for use on slopes greater than 5 degrees.

NOTE: Do not operate the tow vehicle outside of the manufacturers recommended operating instructions or conditions. Lawn and garden tractors work best as tow vehicles when the cutting deck is removed.

Maintenance, Service, And Storage

How to Change Engine Oil

Be sure the engine is not operating and is located on a level surface before checking or refilling oil. Engine should be warm for easy removal of oil.

1. Disconnect the starting wire harness plug and remove key from ignition.
2. Position machine on flat, level surface.
3. Open fill port and prop dipstick.
4. Remove drain plug from the engine or extension tube which you configures separately.
5. Empty oil into a suitable oil container and dispose of oil properly per local regulations.
6. Reinsert drain plug to its original position and fill engine with appropriate oil to the top marking on the dipstick. For proper oil capacity and specification, see the engine manufacturer's instructions.
7. Reinsert dipstick and tighten.

How to Tension and Replace Belt

The belt tension has been preset on the mower. It should be checked after the initial 20-30 minutes of operation, and with each usage thereafter. If the belt need tightened or replaced, follow these instructions carefully.

- Disconnect the starting wire harness plug and remove key from the ignition.
- Remove the pulley cover L&R.
- Check belt tension.
- Loosen bolts and nuts on the position adjusting plate and throttle control lever if adjustment or replacement is necessary.
- Loosen the innermost hex. Nut M16 and tighten the outermost hex. Nut M16 to tension belt, and the retighten the innermost hex. Nut M16 to lock engine position. This way is suitable for belt adjustment.
- Loosen the outermost hex. Nut M16, push engine to loose belt and replace with new belts. Tighten the outermost hex. Nut M16 to tension belt, and the retighten the innermost hex. Nut M16 to lock engine position. This way is suitable for belt replacement.
- Retighten bolt and nuts on the position adjusting plate.
- Put the throttle control lever to the CHOKe position, and then retighten bolts and nuts.
- Reinstall the pulley cover L&R.
- Connect the starting wire harness plug before operating your mower.

Storage

At the end of the working season or when the mower will not be used for a long period, it is good practice to clean off any dirt or grease that may have accumulated on the mower and any of moving parts.

1. Clean as necessary.
2. Check knives for wear and replace if necessary.
3. Inspect mower for loose, damaged or worn parts and adjust or replace as needed.
4. Store unit inside if possible for longer life.
5. Repaint parts where paint is worn or scratched to prevent rust.
6. Replace all damaged or missing decals.

Troubleshooting and Repair

We build quality and durability into the design of our products; but no amount of careful design by us, and careful maintenance by you, can guarantee a repair-free life for your ATV Finish Mower. Most repairs will be minor, and easily fixed by following the suggestions in the troubleshooting guide in this section.

The guide will help you pinpoint the causes of common problems and identify remedies.

For more complicated repairs, you may want to rely on an authorized service center. A parts breakdown is located toward the end of this manual.

We will always be glad to answer any questions you have, or help you find suitable assistance. To order parts or inquire about warranty, please contact our local dealer.



Maintenance Schedule

Maintenance Operation:	Hourly	Daily	Weekly	Seasonal
Engine (See Engine manufacturers manual)	•	•	•	•
Remove excess crop gathered on deck	•	•	•	•
Remove excess crop wrapped around rotor ends	•	•	•	•
Visual check to ensure nothings loose		•	•	•
Grease Height Adjuster		•	•	•
Grease Rear Roller		•	•	•
Grease Rotor Bearings		•	•	•
Tyre Pressures			•	•
Drive belt inspection		•	•	•
Rotor Bearing inspection			•	•
Wheel Bearing Inspection			•	•
Oil 50mm coupling			•	•
Swivel hitch Bush Wear			•	•
Check All Fastener's are tight and intact			•	•
Safety Chain Guard inspection			•	•
Safety Decals intact			•	•
Safety Guards Intact			•	•
Check Blade wear / condition				•
Check Metal Fatigue				•
Clutch Wear / Function				•

Ordering Replacement Parts

Parts can be obtained from the store where the ATV Finish Mower was purchased or direct from the factory.

Please include the following information with your order:

1. Material Code
2. Part description
3. Quantity
4. Model number and serial number



Troubleshooting Guide

Trouble	Cause	Correction
Engine does not start	Starting wire harness plug disconnected	Connect starting wire harness plug
	Engine not primed	Prime engine
	Defective or incorrectly gapped spark plug	Inspect or replace spark plug
	Fuel tank empty	Add fuel
	Dirty carburetor or fuel line	Clean carburetor or fuel line
	Dirty air filter	Replace air filter
	Carburetor out of adjustment	For carburetor adjustment, take the unit to an authorized service center
	Engine flooded	Wait several minutes before starting
	Throttle control lever in incorrect position	Move throttle lever to FAST or RUN position
	Stale gasoline	Drain old gasoline and add fresh gas
	Defective throttle control lever or wire	Inspect lever and wire. Replace if damaged or defective
	Defective ignition	Inspect ignition and replace if damaged or defective
Battery has no charge	Inspect the fuse in the rubber protective box of the charging wire and replace if damaged. Charge and replace if dead, damaged, or defective	
Engine runs poorly	Bad spark plug	Replace spark plug
	Dirty air filter	Replace air filter
	Carburetor out of adjustment	For carburetor adjustment, take the unit to an authorized service center
	Stale gasoline	Drain old gasoline and add fresh gas
	Engine cooling system clogged	Clean debris screen and engine cooling fins
Engine overheats	Engine cooling system clogged	Clean debris screen and engine cooling fins
	Carburetor out of adjustment	For carburetor adjustment, take the unit to an authorized service center
	Oil level is low	Add oil
Engine will not stop running	Ignition failed	Inspect and replace damaged parts
	Wire disconnected from ignition	Inspect, repair, or replace damaged parts
Poor Mower performance	Cutter Blades Dull	Sharpen mower cutter blades,
Mower vibrates	Loose nuts or bolts	Check all bolts and nuts, including engine bolts
	Broken mower head	Replace broken part

NOTE: Please see the engine manual for a full troubleshooting guide for any engine issues.

Bolt Torque

The tables shown below give correct torque values for various bolts and cap screws. Tighten all bolts to the torques specified unless otherwise noted. Check tightness of bolts periodically, using bolt torque chart as a guide. Replace hardware with the same strength bolt.

ENGLISH TORQUE SPECIFICATIONS

Bolt Diameter	Bolt Torque					
	SAE 2		SAE 5		SAE 8	
	N.m	lb-ft	N.m	lb-ft	N.m	lb-ft
1/4"	8	6	12	9	17	12
5/16"	13	10	25	19	36	27
3/8"	27	20	45	33	63	45
7/16"	41	30	72	53	100	75
1/2"	61	45	110	80	155	115
9/16"	95	60	155	115	200	165
5/8"	128	95	215	160	305	220
3/4"	225	165	390	290	540	400
7/8"	230	170	570	420	880	650

METRIC TORQUE SPECIFICATIONS

Bolt Diameter	Bolt Torque			
	8.8		10.9	
	N.m	lb-ft	N.m	lb-ft
M3	0.5	0.4	1.8	1.3
M4	3	2.2	4.5	3.3
M5	6	4	9	7
M6	10	7	15	11
M8	25	18	35	26
M10	50	37	70	52
M12	90	66	125	92
M14	140	103	200	148
M16	225	166	310	229
M20	435	321	610	450
M24	750	553	1050	744
M30	1495	1103	2100	1550
M36	2600	1917	3675	2710

Torque figures indicated above are valid for non-greased or non-oiled threads and heads otherwise specified. Therefore, do not grease or oil bolts or cap screws unless otherwise specified in this manual. When using locking elements, increase torque values by 5%.

Part Illustrations

General Information

Illustrations

The individual parts in their normal relationship to each other. Reference numbers are used in the illustrations. These numbers correspond to those in the "Number" column and are followed by the quantity required and description.

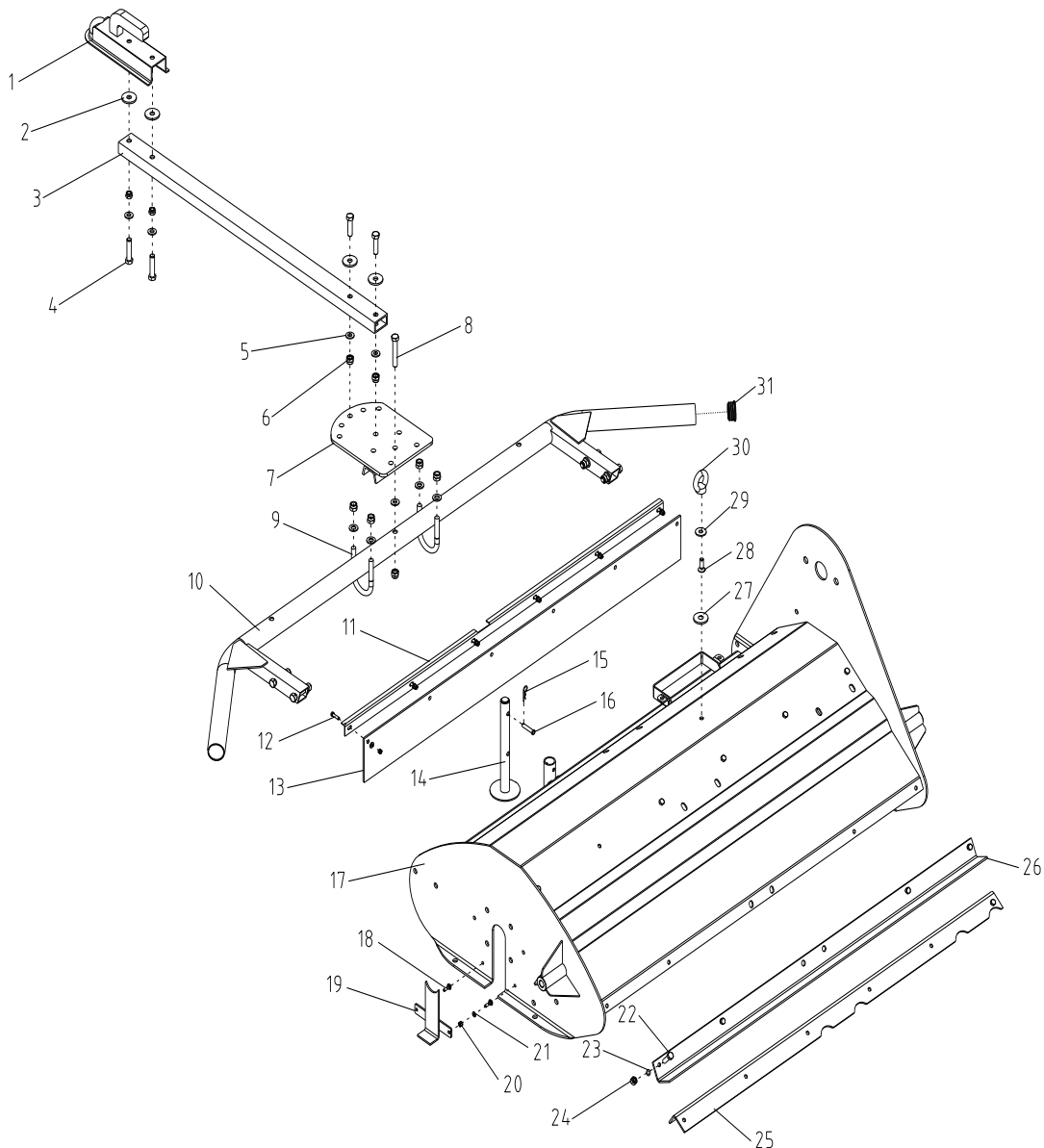
Directional Reference

"Right hand" and "left hand" sides are determined by standing at the rear of the unit and facing in the direction of forward travel.

Part Order

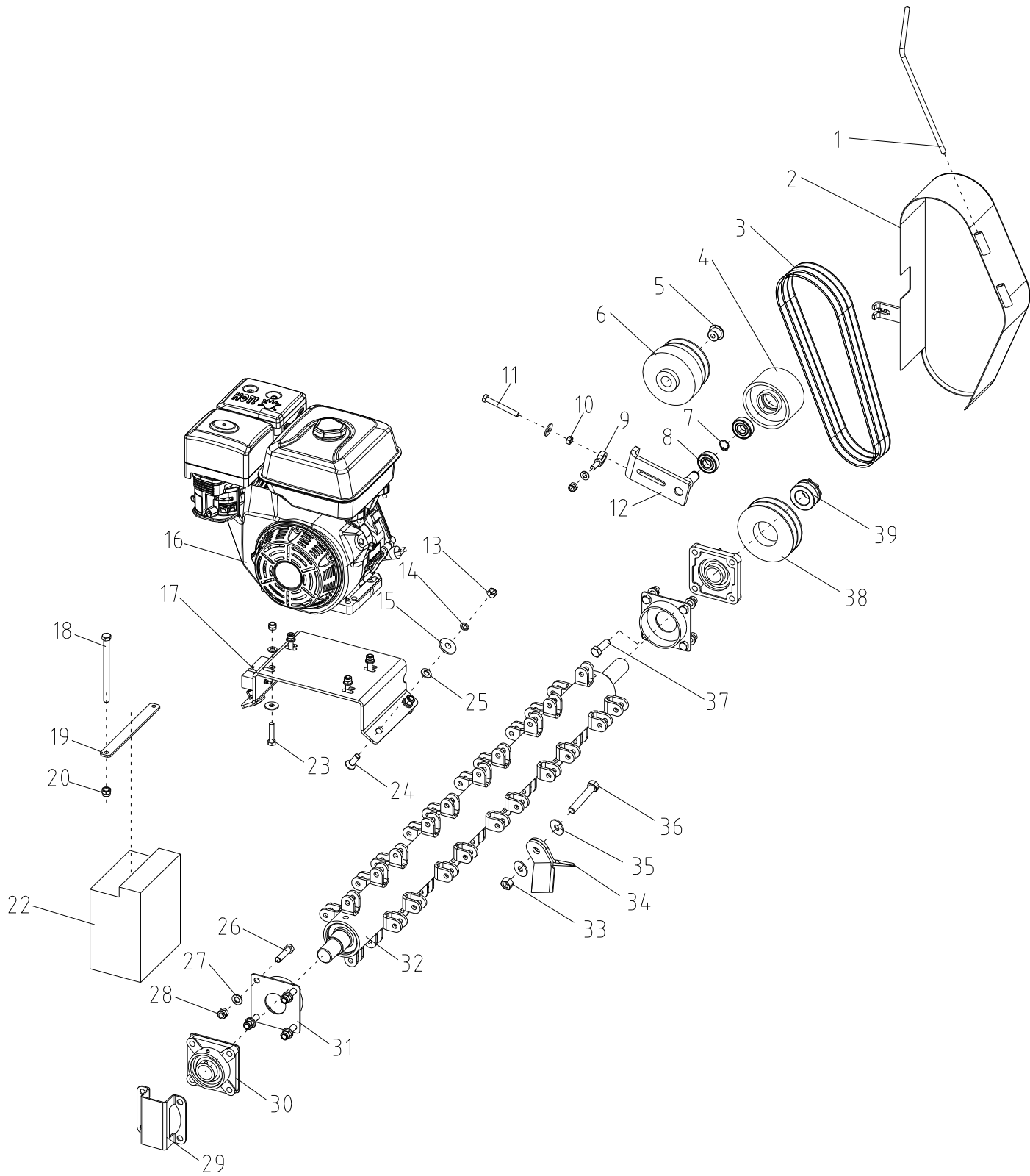
Orders must give the complete description, correct part number, the total amount required, the product model, all the necessary serial numbers, the method of shipment and the shipping address.

Section A. Covering Assembly



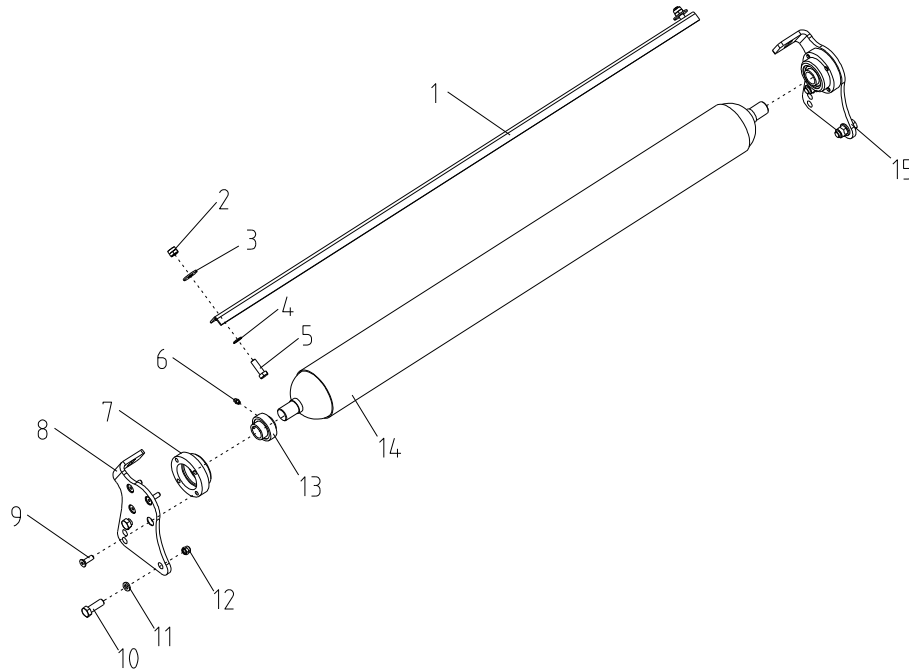
Part No.	Ref. No.	Parts Description	Qty
A1	GM-8610	Hitch ball coupler 2"	1
A2	MF120.01.101	Big flat washer φ 13	4
A3	MF120.01.102	Tow bar	1
A4	GB/T5782-2000	Bolt M12x60	8
A5	GB/T97.1-2002	Flat washer 12	13
A6	GB/T889.1-2000	Nut M12	13
A7	MF120.01.013	Degree bracket	1
A8	GB/T5782-2000	Bolt M12x90	1
A9	MF120.01.103	U hoop 68	2
A10	MF120.01.012	Protection frame	1
A11	MF120.01.109	Rubber pressure plate	1
A12	GB/T5782-2000	Bolt M6x25	6
A13	MF120.01.108	Rubber sheet	1
A14	MF120.01.015	Supporting frame	1
A15	FEL300.114	Pin φ 2R	1
A16	GB/T882-2000	B Pin 8x40	1
A17	MF120.01.011	Cover weldment	1
A18	GB/T12-2000	Bolt M6x20	2
A19	MF120.01.014	Baffle weldment	1
A20	GB/T889.1-2000	Nut M6	8
A21	GB/T97.1-2002	Flat washer 6	8
A22	GB/T5782-2000	Bolt M8x20	10
A23	GB/T97.1-2002	Flat washer 8	10
A24	GB/T889.1-2000	Nut M8	10
A25	MF120.01.107	Grass board	1
A26	MF120.01.105	Straw board	1
A27	MF120.01.106	Cone gasket	1
A28	GB/T70.3-2000	Screw M10x30	1
A29	GB/T96.1-2002	Big flat washer 10	1
A30	JB/T7382	Nut M10	1
A31	MF120.01.104	Plastic cap	2

Section B. Transmission Assembly



Part No.	Ref. No.	Parts Description	Qty
B1	MF120.02.107	Locating round steel	1
B2	MF120.02.013	Belt pulley Cover	1
B3	GB/T1154-97	Belt XPB1174La (1152Ld)	2
B4	MF120.02.108	Tightening wheel	1
B5	MF120.02.102	Pressure sleeve	1
B6	L65BH-120XSPBX2-25.4A	Centrifugal clutch	1
B7	GB/T894.2-1986	Circlip 20	1
B8	GB/T276-1994	Bearing 6204-2RS	2
B9	MF120.02.014	Pull ring weldment	1
B10	GB/T6170-2000	Nut M10	1
B11	GB/T5783-2000	Bolt M10x80	1
B12	MF120.02.015	Tightening arm	1
B13	GB/T6170-2000	Nut M12	14
B14	GB/T93-2002	Spring washer 12	4
B15	GB/T97.1-2002	Flat washer 12	4
B16	B&S	Gasoline engine	1
B17	MF120.02.103	Engine support	1
B18	GB/T5782-2000	Bolt M8x200	2
B19	MF120.02.110	Battery pressure plate	1
B20	GB/T889.1-2000	Nut M8	2
B21	N/A	N/A	N/A
B22	V-36A	Battery 36A	1
B23	GB/T97.1-2002	Flat washer 10	5
B24	GB/T70.3-2000	Screw M12x35	4
B25	MF120.01.106	Cone gasket	4
B26	GB/T5782-2000	Bolt M12x45	4
B27	GB/T97.1-2002	Flat washer 12	8
B28	GB/T889.1-2000	Nut M12	8
B29	MF120.02.106	Cover plate	1
B30	GB/T7180-1995	Bearing UCFU207	2
B31	MF120.02.012	Dust cover	1
B32	MF120.02.011	Cutter shaft	1
B33	GB/T889.1-2000	Nut M10	
B34	MF120.02.101	Blade	
B35	GB/T96.1-2002	Big flat washer 10	
B36	GB/T5782-2000	Bolt M10x50	
B37	GB/T5782-2000	Bolt M12x50	4
B38	MF120.02.104	Pulley	1
B39	JB/T7934-00	Expansion 35X60	1

Section C. Roller Assembly

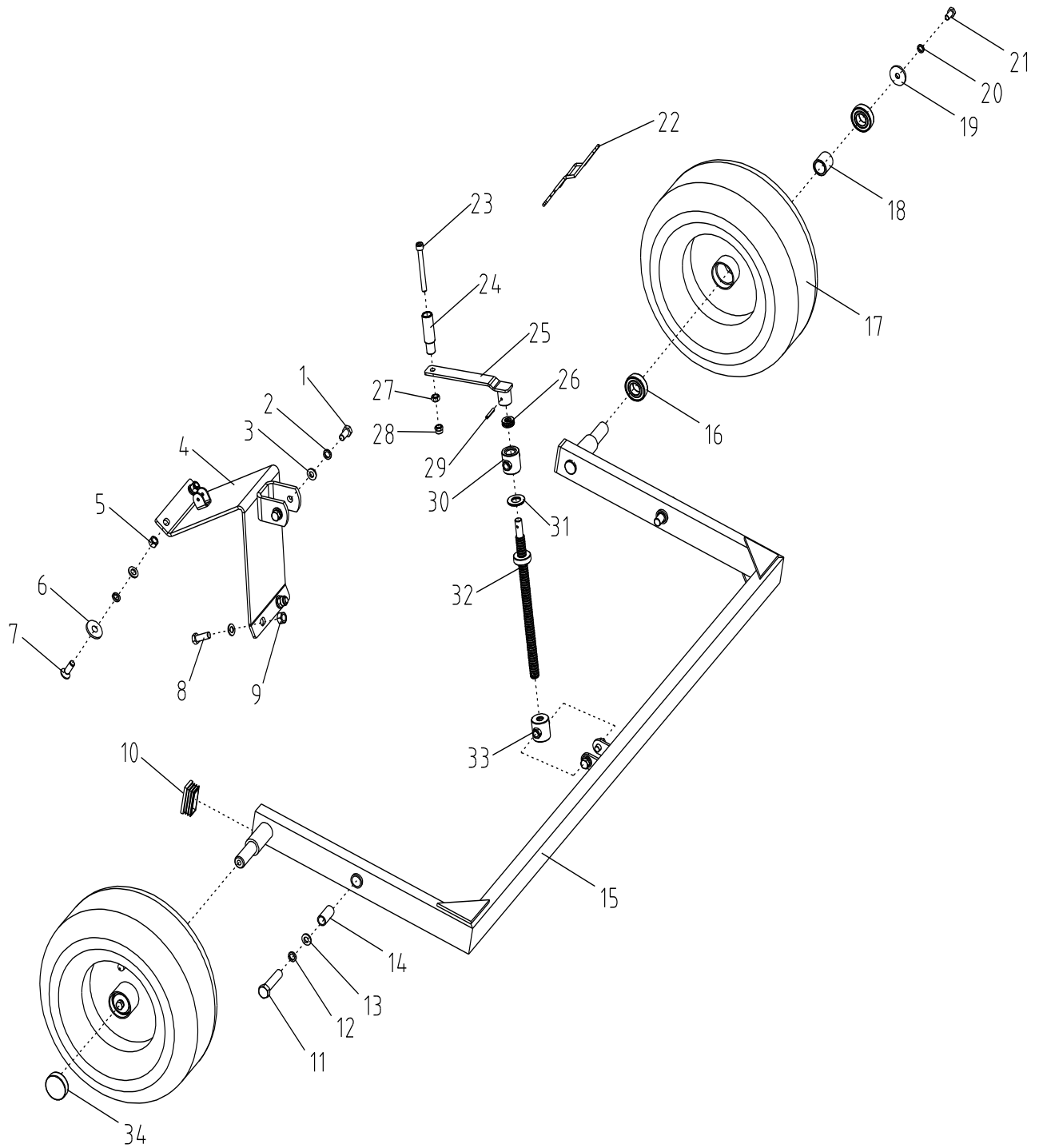


MF120.03.001 Roller Assembly Parts List

Part No.	Ref. No.	Parts Description	QTY
C1	MF120.03.102	Scraper	1
C2	GB/T889.1-2000	Nut M10	2
C3	GB/T96.1-2002	Big flat washer 10	2
C4	GB/T97.1-2002	Flat washer 10	2
C5	GB/T5782-2000	Bolt M10x30	2
C6	GB/T1152-89	Oil cup	2
C7	EFGC125.107	Bearing	2
C8	MF120.03.101	Supporting for roller (R)	1
C9	GB/T70.3-2000	Screw M8x25	8
C10	GB/T5782-2000	Bolt M12x35	4
C11	GB/T97.1-2002	Flat washer 12	4
C12	GB/T889.1-2000	Nut M12	4
C13	GB/T3882-2000	Bearing UC205-2Z	2
C14	MF120.03.011	Roller weldment	1



Section D. Tire Assembly



Part No.	Ref. No.	Parts Description	QTY
D1	GB/T5782-2000	Bolt M12x20	4
D2	GB/T93-2002	Spring washer 12	6
D3	GB/T97.1-2002	Flat washer 12	8
D4	MF120.04.012	Rocker base	1
D5	GB/T6170-2000	Nut M12	2
D6	MF120.01.106	Cone gasket	2
D7	GB/T70.3-2000	Screw M12x35	2
D8	GB/T5782-2000	Bolt M12x35	2
D9	GB/T889.1-2000	Nut M12	2
D10	MF120.04.103	Plastic cover	2
D11	GB/T5782-2000	Bolt M16x70	2
D12	GB/T93-2002	Spring washer 16	2
D13	GB/T97.1-2002	Flat washer 16	2
D14	MF120.04.104	Bushing	2
D15	MF120.04.011	Bracket weldment	1
D16	GB/T276-	Bearing 6205-2RS	4
D17	4P/TL16*6.5-8	Tyre 16*6.5-8	2
D18	MF120.04.101	Bearing spacer	2
D19	MF120.04.102	Big flat washer φ 11	2
D20	GB/T93-2002	Spring washer 10	2
D21	GB/T5782-2000	Bolt M10x20	2
D22	MF120.04.105	Lock catch	1
D23	GB/T70.1-2000	Bolt M10*90	1
D24	MF120.04.107	Plastic handle	1
D25	MF120.04.016	Rocker arm weldment	1
D26	GB/T301-	Bearing 51102	1
D27	GB/T6170-2000	Nut M10	1
D28	GB/T889.1-2000	Nut M10	1
D29	GB/T879.2-2000	Elastic pin	2
D30	MF120.04.015	Turn sleeve weldment	1
D31	MF120.04.106	Copper pad	1
D32	MF120.04.014	Rocker weldment	1
D33	MF120.04.013	Screw sleeve	1
D34	MF120.04.108	Plastic cover	2

