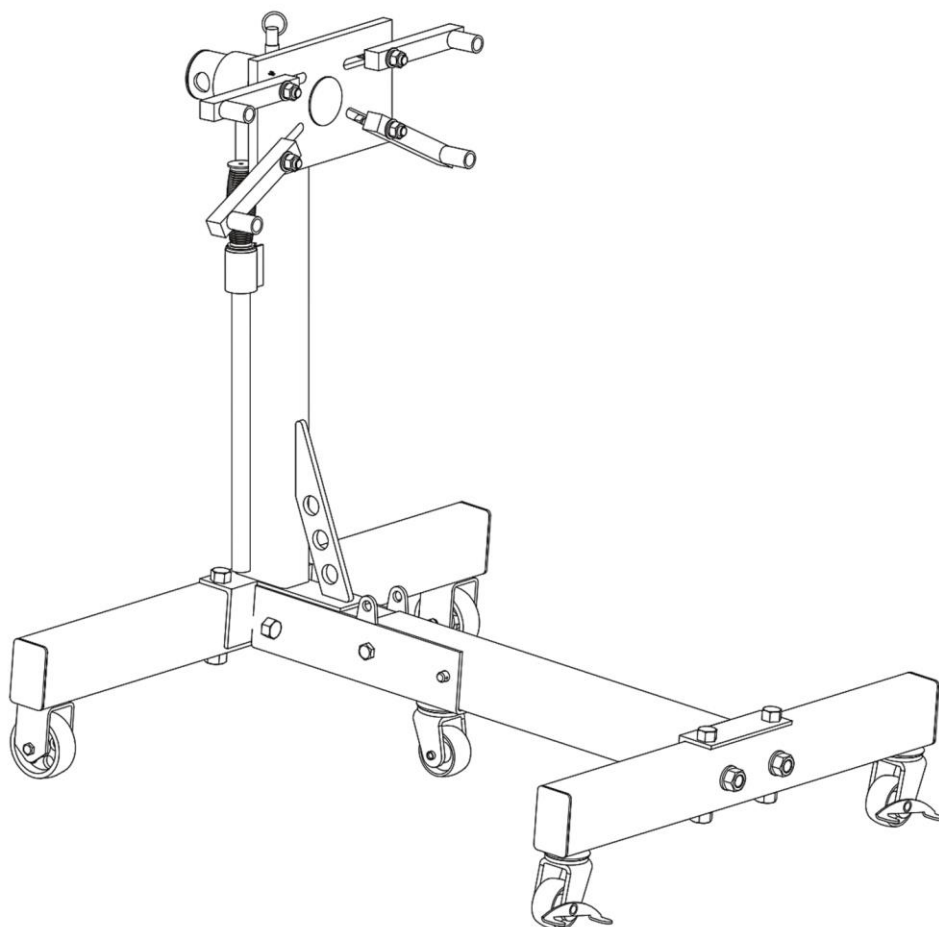


# 1500-LB ENGINE STAND



## ⚠ WARNING



- Please read and understand the product manual completely before assembly
- Check against the parts list to make sure all parts are received
- Wear proper safety goggles or other protective gears while in assembly
- Do not return the product to dealer. They are not equipped to handle your requests.

Missing parts or have questions on assembly?

Please call: 1-877-761-2819 or email: [cs@tmgindustrial.com](mailto:cs@tmgindustrial.com)

## SPECIFICATION

ITEM	CAPACITY	N.W.(KGS)
TMG-AES15	1500 LBS	33.5

## INSPECTION

- Inspect the equipment carefully before each use. Ensure the equipment is not damaged, excessively worn, or missing parts.
- Do not use the equipment unless it is properly lubricated.
- Using equipment that is not in good clean working condition or properly lubricated may cause serious injury.
- Inspect the work area before each use. Make sure it is free and clear of any potential hazards.

**DO NOT OPERATE OR REPAIR THIS EQUIPMENT WITHOUT READING THIS MANUAL.**

To maintain the equipment and user safety, the responsibility of the owner is to read and follow these instructions.

- Inspect the equipment for proper operation and function.
- Keep instructions readily available for equipment operators.
- Make certain all equipment operators are properly trained; understand how to safely and correctly operate the unit.
- Allow unit operation only with all parts in place and operating properly.
- Use only genuine replacement parts.
- Service and maintain the unit only with authorized or approved replacement parts; negligence will make the equipment unsafe for use and void the warranty.
- Carefully inspect the unit on a regular basis and perform all maintenance as required.
- Store these instructions in the handle of your equipment.
- Keep all decals on the unit clean and visible.

### **WARNING**

1. Study, understand, and follow all instructions before operating this device.
2. Do not exceed rated capacity.
3. Use only on hard, level surfaces, with less than 3 degrees of slope.
4. Center load on mounting plate.
5. Mount and support only on areas of the engine as specified by the vehicle manufacturer.
6. Lock mounting plate rotating mechanism before applying a load.
7. Lock the wheels/casters before working on the engine.
8. Rotate the engine using the handle or device provided.
9. Assure load is centered and secured to mounting attachments.
10. Off-center loads may make the load and handle rotate in either direction when the rotational locking device is released.

11. Release rotational locking devices slowly and carefully.
12. No alterations shall be made to this product.
13. Only attachments and/or adapters supplied by the manufacturer shall be used.
14. Never work directly under a supported load.
15. Do not use this product for any use other than the manufacturer specified usage.
16. Failure to heed these markings may result in personal injury and/or property damage.

## ASSEMBLY INSTRUCTIONS

1. Remove the cap(14) from the rear support beam (13), Attach wheel(16) to rear support beam (13) with bolt (18), spring washer (17) and nut (15). put the cap(14) to the rear support beam (13).
2. Attach caster (21) to main post(10) with washer(5), spring washer(6) and nut (7),
3. Attach main post (10) to the rear support beam (13) with bolt (11)(19), washer (5), spring washer(6) and nut (7).
4. Remove the cap(14) from the front leg(27), Attach caster (28) to front leg(27) with washer(5) spring washer(6) and nut (7), put the cap(14) to the front leg(27).
5. Attach portable beam (26) to the front leg(27) with bolt (11)(19), washer (5), spring washer(6) and nut (7).
6. Fasten the main post(10), portable beam (26) with bolt(12), washer(22) spring washer(23) and nut(24), Lift one side of the main post(10) to align the hole on the frame to the hole on the portable beam (26), then insert the position pin (25) into the hole, and insert the Roundwire snap ring (20) into the hole of the Pin.
7. Attach head assembly(3) to mounting arms (4) with bolt (2), washer (5), spring washer(6) and nut (7).
8. Insert head assembly(3) into the hole of the main post(10). Line up the hole in the head assembly (3) and the main post(10), and assemble them by inserting the head locking pin(1).

## MAINTENANCE INSTRUCTIONS

- Maintain your equipment. It is recommended that the general condition of any equipment be examined before it is used. Keep your equipment in good repair by adopting a program of conscientious repair and maintenance. Have necessary repairs made by qualified service personnel.
- Follow the maintenance instructions carefully to keep your equipment in good working condition. Never perform any maintenance on the equipment while it is under a load.
  - a. All moving parts of the equipment should be regularly cleaned.
  - b. Lubricate parts as required by the manufacturer's specifications. The type of lubricant should be as specified by the manufacturer or a qualified person. Lubrication systems should be checked to verify proper operation.
  - c. If additional maintenance is required, it should be completed in accordance with the instructions of the manufacturer or qualified person.

### INSPECTION

You should inspect the product for damage, wear, broken or missing parts (e.g.: pins) and that all components function before each use. Follow lubrication and storage instructions for optimum product performance. Check the climbing pins to make sure that they are not worn or damaged. Check that everything is in good working condition and that nothing is blocking the holes. Do not use the equipment unless it is in good working condition.

### BINDING

If the product binds while under a load, use equipment with equal or a larger load capacity to lower the load safely to the

ground. After un-binding; clean, lubricate and test that equipment is working properly. Rusty components, dirt, or worn parts can be causes of binding Clean and lubricate the equipment as indicated in the lubrication section. Test the equipment without a load. If the binding continues, contact Customer Service.

#### **IF YOUR EQUIPMENT BINDS**

As your equipment becomes older, the threads may start binding. This will prevent the equipment from operating properly and safely. Rusty threads, dirty threads, or a worn threads can cause binding. Clean and lubricate the equipment. Test the equipment without a load. If the binding continues, refer to the after sale parts and service. If your equipment binds while under a load, use equipment with equal or larger load capacity to lower the load safely to the ground.

#### **CLEANING**

If the moving parts of the equipment are obstructed, use cleaning solvent or another good degreaser to clean the equipment. Remove any existing rust, with a penetrating lubricant. Do not use motor oil to lubricate the equipment

#### **RUST PREVENTION**

-Check daily for any signs of rust or corrosion. Without a load check for signs of rust that are visible and clean as needed.

#### **STORING THE EQUIPMENT**

1. Store in a dry location, recommended indoors.
2. Equipment should be stored in an area where they will not be subjected to damage.
3. If extreme temperatures or chemically active or abrasive environments are involved, the guidance provided in shall be followed.
4. Temperature - When equipment are to be used at temperatures above 140°F (60°C) or below -20°F (-29°C), the equipment manufacturer or a qualified person should be consulted.
5. Chemically Active Environments -The strength and operation of equipment can be affected by chemically active environments such as caustic or acid substances or fumes. The equipment manufacturer or a qualified person should be consulted before equipment are used in chemically active environments.
6. Other Environments - The internal workings of equipment can be affected by high moisture, gravel or sand, silt, grit, or other dust-laden air. Equipment subject to these environments should have their inner components frequently cleaned, inspected, and lubricated.

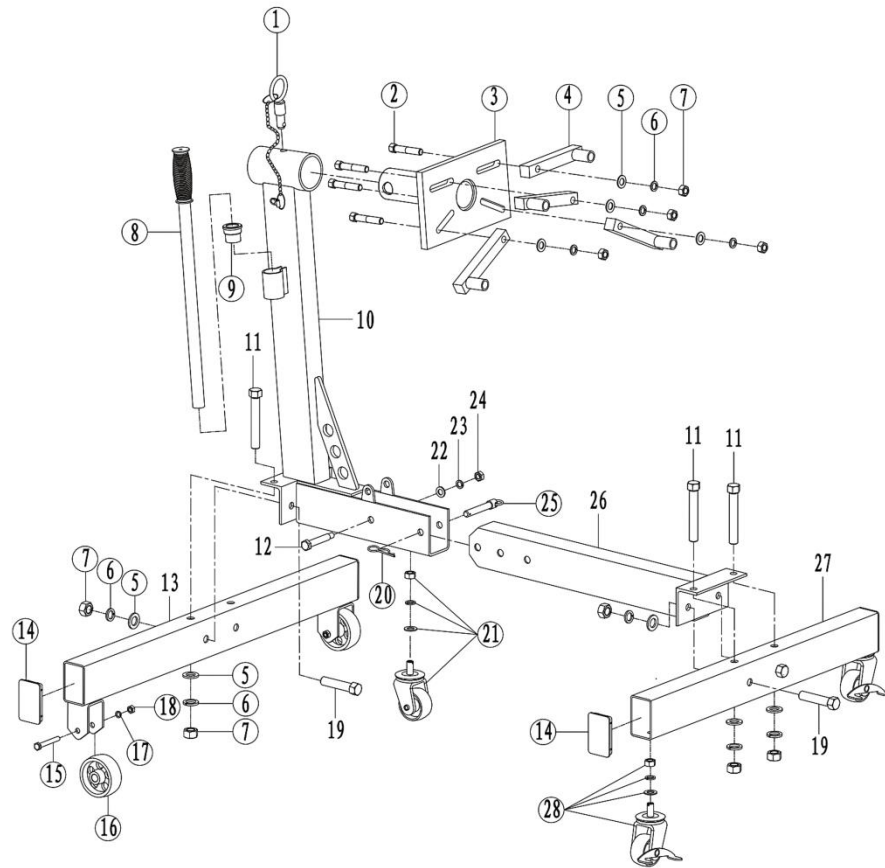
#### **NOTE**

If the equipment is stored outdoors, be sure to lubricate all parts before and after use to ensure the equipment stays in good working condition.

## **FACTORY PRODUCT**

Any hydraulic jack found to be damaged in any way, is found to be worn or operates abnrnally, believed to have subjected to an abnormal load."SHALL BE REMOVED FROM SERVICE UNTIL REPAIRED". Owners and/or operators should be aware that repair of the equipment requires specialized knowledge and facilities. Only factory authorized parts, labels and decals shall be use on this equipment. Call custmer service department Annual inspection of the is recommended and should be made by the manufacturer's authorized repair facility to ensure that your jack is in optimum conditions and that the jack has correct decals and safety labels specified by the manufacturer.

## ASSEMBLY DIAG



ITEM	NAME	PART NO.	QTY.
01	Lock pin assembly	T26801.1	1
02	Hex head bolt M12x55mm(Metric-class 8.8)	GB5782	4
03	Head assembly	T26801.2	1
04	Mounting arms	T23401.1	4
05	Washer M12	GB95	15
06	Spring washer M12	GB93	15
07	Nut M12	GB6170	15
08	Handle assembly	T26801.4	1
09	Handle fitting	T32002F-1	1
10	Main post	T26801.3	1
11	Hex head bolt M12x100mm(Metric-class 8.8)	GB5780	4
12	Hex head bolt M12x75mm(Metric-class 8.8)	T26801-3	1
13	Rear support beam	T26801.5	1
14	Plastic end cap	T26801-2	4
15	Hex head bolt M8x65mm(Metric-class 8.8)	GB5782	2
16	Wheel	T26801.7	2
17	Spring washer M8	GB93	2
18	Nut M8	GB6170	2
19	Hex head bolt M12x70mm(Metric-class 8.8)	GB5780	4
20	Roundwire snap ring Ø1.4x26mm	QLQD2B-3	1
21	Caster assembly with screw 2.5"	T26801.9	1