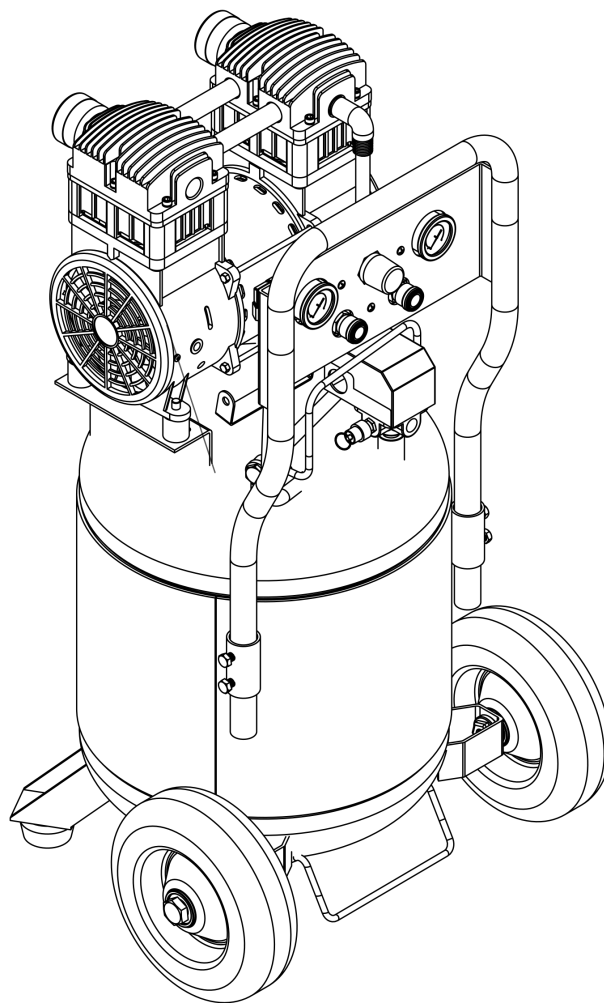
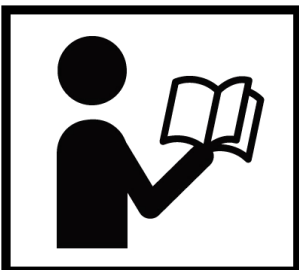


10 GALLON 1.5 HP ELECTRIC AIR COMPRESSOR



⚠ WARNING



- Please read and understand the product manual completely before assembly
- Check against the parts list to make sure all parts are received
- Wear proper safety goggles or other protective gears while in assembly
- Do not return the product to dealer. They are not equipped to handle your requests.

Missing parts or questions on assembly?

Please call: 1-877-761-2819 or email: cs@tmgindustrial.com

TABLE OF CONTENTS

Intended Use.....	3
Packaging Contents.....	3
Technical Specifications	3
Important Safety Information.....	4
Safety Labeling	6
Specific Operation Warnings.....	7
Grounding.....	9
Extension Cords.....	10
Main Parts.....	11
Initial Set-up.....	12
Before Each Use.....	13
Operating Instructions.....	13
After Each Use.....	15
Maintenance.....	15
Troubleshooting.....	17
Parts Diagram- Air Receiver Tank.....	18
Parts List.....	19
Parts Diagram- Pump.....	20
Parts List - Pump.....	21

INTENDED USE

The 10-Gallon Electric Air Compressor provides compressed air used primarily for operating air tools and pressuring other objects that require high air pressure, such as tires. Do not use for low-pressure objects such as balloons, air mattresses, and sport balls, which can explode quickly and easily. Special precautions are necessary when used for cleaning to prevent flying debris hazards. It is not to be used to supply breathing air.

PACKAGING CONTENTS

1. Air Compressor
2. Air filter set (2)
2. Owner's Manual
4. Wheel set (2)

TECHNICAL SPECIFICATIONS

Property	Specification
Motor voltage	120 Volts
Frequency	60 Hz
Motor speed	1750 RPM
Amps	8.8A
Horsepower	1.5 HP
Max. working pressure	125 PSI
Volume Rating	3.1 CFM @ 125 PSI 4.3 CFM @90 PSI 5.0 CFM @ 40 PSI
Duty cycle	70%
Noise level (dB)	70
Receiver capacity	10 gal
Compressor dimensions (Inch)	15.7(L)x15.4(W)x34.3(H)
Net Weight (Lb.)	90

IMPORTANT SAFETY INFORMATION

WARNING

1. Read and understand all instructions. Failure to follow all instructions may result in serious injury or property damage.
2. The warnings, cautions, and instructions in this manual cannot cover all possible conditions or situations that could occur. Exercise common sense and caution when using this tool. Always be aware of the environment and ensure that the tool is used in a safe and responsible manner.
3. Do not allow persons to operate or assemble the product until they have read this manual and have developed a thorough understanding of how it works.
4. Do not modify this product in any way. Unauthorized modification may impair the function and/or safety and could affect the life of the product. There are specific applications for which the product was designed.
5. Use the right tool for the job. DO NOT attempt to force small equipment to do the work of larger industrial equipment. There are certain applications for which this equipment was designed. This product will be safer and do a better job at the capacity for which it was intended. DO NOT use this equipment for a purpose for which it was not intended.
6. Industrial or commercial applications must follow OSHA requirements.

WARNING

1. This product may contain chemicals known to the state of California to cause cancer, birth defects, or other reproductive harm .
2. Some dust created by power sanding, sawing, grinding, drilling, and other construction activities contains chemicals known to the state of California to cause cancer, birth defects, or other reproductive harm . Some examples of these chemicals are:
 - lead from lead-based paints,
 - crystalline silica from bricks and cement and other masonry products, and arsenic and chromium from chemically-treated lumber.
3. Your risk from these exposures varies, depending on how often you do this type of work. To reduce your exposure to these chemicals: work in a well-ventilated area, and work with approved safety equipment, such as dust masks that are specially designed to filter out microscopic particles.
4. Handling power cords on corded products may expose you to lead, a chemical known to the state of California to cause cancer and birth defects or other reproductive harm . Wash your hands after handling.

WORK AREA SAFETY

- Inspect the work area before each use. Keep work area clean, dry, free of clutter, and well-lit. Cluttered, wet, or dark work areas can result in injury. Using the product in confined work areas may put you dangerously close to cutting tools and rotating parts.
- Do not use the compressor where there is a risk of causing a fire or an explosion; e.g., in the presence of flammable liquids, gases, or dust. The product can create sparks, which may ignite the flammable liquids, gases, or dust.
- Do not allow the compressor to come into contact with an electrical source. It is not insulated and contact will cause electrical shock .
- Keep children and bystanders away from the work area while operating the tool. Do not allow children to handle the product.
- Be aware of all power lines, electrical circuits, water pipes, and other mechanical hazards in your work area. Some of these hazards may be hidden from your view and may cause personal injury and/or property damage if contacted.

PERSONAL SAFETY

- Stay alert, watch what you are doing, and use common sense when operating the compressor. Do not use the tool while you are tired or under the influence of drugs, alcohol, or medication. A moment of inattention while operating the tool may result in serious personal injury.
- Dress properly. Do not wear loose clothing, dangling objects, or jewelry. Keep your hair, clothing and gloves away from moving parts. Loose clothes, jewelry, or long hair can be caught in moving parts. Air vents on the tool often cover moving parts and should be avoided.
- Wear the proper personal protective equipment when necessary. Use ANSI Z87.1 compliant safety goggles (not safety glasses) with side shields, or when needed, a face shield. Use a dust mask in dusty work conditions. Also use non-skid safety shoes, hardhat, gloves, dust collection systems, and hearing protection when appropriate. This applies to all persons in the work area.
- Do not overreach. Keep proper footing and balance at all times.
- Remove keys or wrenches before connecting the tool to an air supply, power supply, or turning on the tool. A wrench or key that is left attached to a rotating part of the tool may cause personal injury.
- Secure the work with clamps or a vise instead of your hand when practical. This safety precaution allows for proper tool operation using both hands.

COMPRESSOR USE AND CARE

- Do not force the compressor. Products are safer and do a better job when used in the manner for which they are designed. Plan your work, and use the correct product for the job.
- Check for damaged parts before each use. Carefully check that the product will operate properly and perform its intended function. Replace damaged or worn parts immediately. Never operate the product with a damaged part.
- Do not use a product with a malfunctioning switch. Any power tool that cannot be controlled with the power switch is dangerous and must be repaired by an authorized service representative before using.
- Disconnect the power/air supply from the product and place the switch in the locked or off position before making any adjustments, changing accessories, or storing the tool. Such preventive safety measures reduce the risk of starting the tool accidentally.
- Store the product when it is not in use. Store it in a dry, secure place out of the reach of children. Inspect the tool for good working condition prior to storage and before re-use.
- Use only accessories that are recommended by the manufacturer for use with your product. Accessories that may be suitable for one product may create a risk of injury when used with another tool. Never use an accessory that has a lower operating speed or operating pressure than the tool itself.
- Keep guards in place and in working order. Never operate the compressor without the guards in place.
- Do not leave the compressor running unattended.

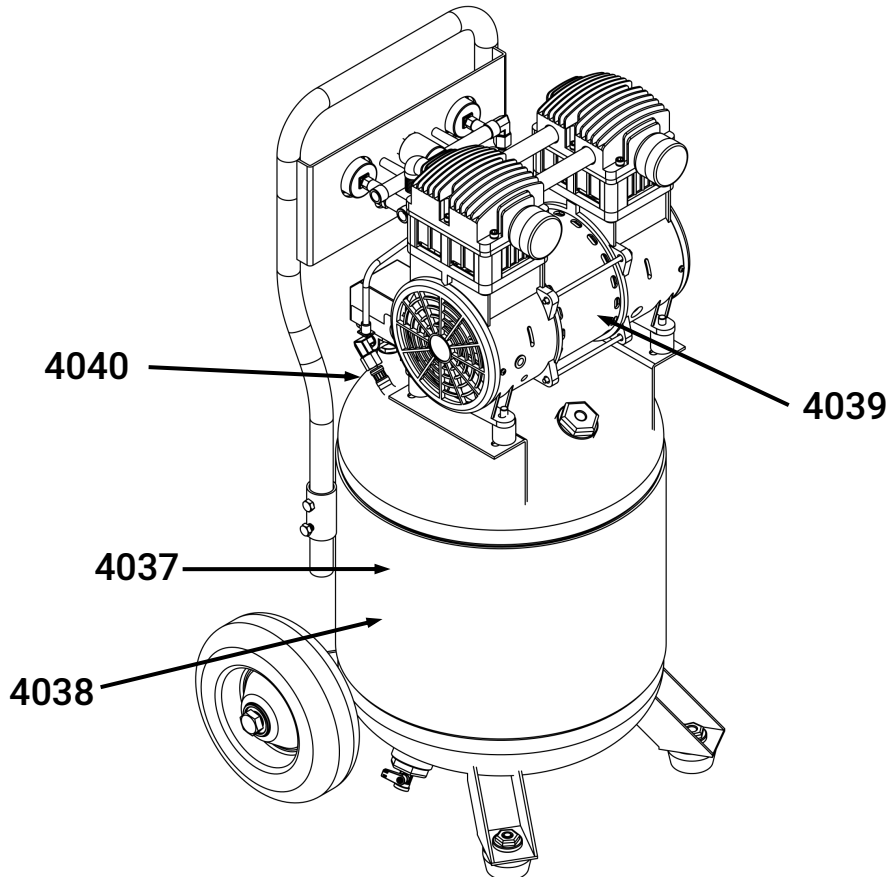
SAFETY LABELING

Safety Decal Locations



WARNING

ALWAYS make sure safety labels are in place and in good condition. If a safety label is missing or not legible, order new labels from TMG Product Support at 1-877-761-2819.



Safety Decals

⚠ CAUTION!

READ THESE WARNINGS BEFORE OPERATING. Do not use this air compressor for breathing air; Do not touch air compressor with wet hands to prevent the risk to electric shock. Be sure to check for proper grounding before operating. Keep the air compressor away from fire and/or fire sources. **AFTER STARTING, PAY ATTENTION TO THE FOLLOWING WARNINGS.** Do not stick any part of the body into any moving part. If an extension cord is required, follow the instructions in the instruction manual. Drain the water inside air tank frequently using the bottom mounted drain cock. Discharge air through air outlet frequently. Unplug air compressor from power source before maintenance and/or repair.

TMG-MACH-4037

⚠ WARNING!

HOT SURFACE!
Do not touch. Allow to cool before servicing.

TMG-MACH-4039

⚠ CAUTION!

FOR INDOOR USE ONLY.

TMG-MACH-4040

⚠ CAUTION!

Risk of bursting - Do not adjust regulator to result in output pressure greater than marked maximum pressure of attachment.

⚠ WARNING!

Risk of injury - Do not direct air stream at body
Risk of fire or Explosion - Do not spray flammable liquid in a confined area. Spray area must be well ventilated.
Do not smoke while spraying or **SPRAY** where spark or flame is present. "Keep compressors as far from spraying area as possible."

WARNING: For household use only.

TMG-MACH-4038

SPECIFIC OPERATION WARNINGS



WARNING

1. Moisture in supply air when compressed will form into droplets as it leaves air compressor pump and enters receiver tank . When humidity is high or when a compressor is in continuous use for an extended period of time, a significant amount of moisture will collect in the tank . Part of the moisture will be discharged in the outlet air. When using a paint spray or sandblast gun, this water will be carried from the tank through the hose, and out of the gun as droplets mixed with the spray material. If this is not acceptable for your application, an external air dryer must be added to the system.
2. The ideal operating temperatures is 40° and 100°F (4° and 37° C), the operating limitations is 15°F (-9°C) or above 125°F (52°C). If temperatures consistently drop below 32°F (0°C), install within a heated building. If this not possible, protect the safety/relief and drain valves from freezing.
3. The supply air is passing through the compressor supply hoses and tools. These can be damaged or have a shortened life if unclean air is present or air filter is not clean and functioning properly.
4. Do not allow debris to accumulate or block airflow.
5. Do not place any objects against or on top of the unit, which can also block airflow or damage unit.
6. Rotating hazard. Keep hands and feet away from rotating parts, tie up long hair, remove jewelry, and do not wear loose clothing.



WARNING: ELECTRIC SHOCK HAZARD.

1. Use only undamaged electrical cords.
2. Do not touch bare wires or receptacles.
3. Do not operate air compressor in wet weather or in wet conditions.
4. Do not touch air compressor or cords if hands or feet are wet.
5. Ensure that all cords are free of damage before connecting to the power supply.
6. Ensure that you have a sufficient electrical supply for supporting the requirements of the motor.



WARNING: HOT SURFACE AND FIRE HAZARD

1. The pump of the compressor will become very hot during and immediately after use. Do not touch any part of the pump of this compressor with bare hands other than the ON/OFF switch during and immediately after use.
2. Allow the air compressor to cool before touching it.
3. Provide access to adequate, clean, and unobstructed airflow for cooling and air supply.
4. Do not allow debris to accumulate or block airflow.
5. Do not operate with a tarp, blanket, or storage cover surrounding the machine, which blocks air flow. Only place a cover on the air compressor after it has thoroughly cooled down.



WARNING: FLYING OBJECTS HAZARD

1. Always wear the proper protective equipment including ANSI Z87.1 compliant eye protection.
2. Air-powered equipment and power tools are capable of propelling items (metal chips, fasteners, and particulates) at high speed into the air and could result in injury.
3. Never point the air stream at any part of your body, or at another person or animal.
4. When operating the air compressor, make sure all other people and animals maintain a safe distance.
5. Do not move the air compressor when the air tank is under pressure.
6. Never use the air hoses to pull or move the air compressor.
7. For use on a hard, level surface capable of sustaining the weight of the compressor and any other tools and people in the work area.



WARNING: EXPLOSION HAZARD

- To prevent injury or property damage, only use high-pressure hoses, fittings, and couplings designed for use with air compressors.
- Never use this compressor to inflate small low-pressure objects, i.e., balloons/inflatables, small or low volume PSI tires. It is easy to over-pressurize them, causing them to rupture. Identify the inflation capacity of an object prior to filling it with air. Use a gauge to check the pressure regularly when inflating anything.
- Inspect all hoses, fittings and couplings for leaks and wear. When leaks and wear are detected, stop use immediately and replace those items before continuing use. Do not repair.
- Never leave pressurized air in the air tank when performing maintenance.
- Never leave the air compressor unattended with the power supply in use and the air hose connected.
- Improper care could lead to the air tank bursting or exploding.
- Drain air tank daily or after each use to prevent moisture buildup in the air tank .
- Rust can weaken the air tank and cause leaks or bursting. If rust is detected, replace tank immediately. Do not try to repair the air tank by welding, drilling or modifying it in any other way. These modifications can weaken the air tank and cause a hazardous condition.
- Never make adjustments to factory-set pressures.
- Never exceed manufacture' s maximum-allowable pressure rating attachments.
- Because of extreme heat, do not use plastic pipe or lead tin solder joints for discharge line.



WARNING: EXPLOSION AND FIRE HAZARD

- Do not use the compressor in the presence of gasoline, solvents, flammable liquids, or flammable vapors. This compressor can produce sparks which can ignite flammable liquids and vapors, causing fire or explosion.
- Abrasive tools such as grinders, drills and other tools are capable of making sparks that can ignite flammable materials, liquids and vapors causing fire or explosion.
- Always operate the compressor at a safe distance away from flammable items. Use in well- ventilated areas.
- Do not exceed the maximum rated pressure.

GROUNDING

WARNING

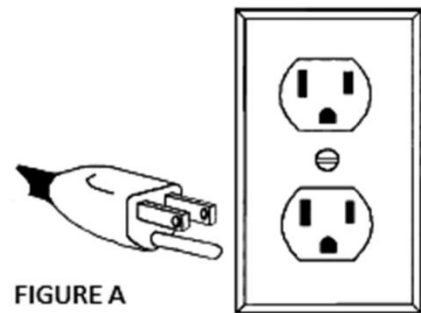
- This machine must be grounded while in use to protect the operator from electrical shock . This drill press is equipped with an electrical cord that has an equipment grounding conductor and a grounding plug. The plug **MUST** be plugged into a matching receptacle that is properly installed and grounded in accordance with ALL local codes and ordinances.
- **DO NOT MODIFY THE PROVIDED PLUG.** If it will not fit the receptacle, have the proper receptacle installed by a qualified electrician.
- **CHECK** with a qualified electrician or service person if you do not completely understand the grounding instructions, or if you are not sure the tool is properly grounded.

Grounded Tools: Tools with 3-Prong Plugs

Tools marked with Grounding Required have a 3-wire cord and 3-prong grounding plug. The plug must be connected to a properly grounded outlet. If the tool should electrically malfunction or break down, grounding provides a low resistance path to carry electricity away from the user, reducing the risk of electric shock . (See Figure A.)

The grounding prong in the plug is connected through the green wire inside the cord to the grounding system in the tool. The green wire in the cord must be the only wire connected to the tool's grounding system and must never be attached to an electrically live terminal.

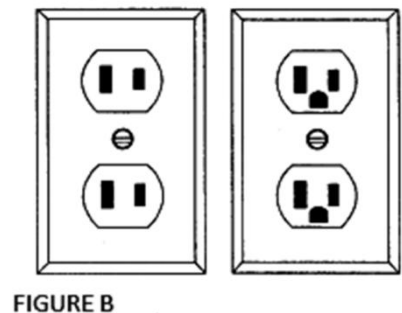
Your tool must be plugged into an appropriate outlet, properly installed and grounded in accordance with all codes and ordinances. The plug and outlet should look like those in the following illustration.



Double Insulated Tools: Tools with Two-Prong Plugs

Tools marked Double Insulated do not require grounding. They have a special double insulation system which satisfies OSHA requirements and complies with the applicable standards of Underwriters Laboratories, Inc., the Canadian Standard Association, and the National Electrical Code. (See Figure B.)

Double insulated tools may be used in either of the 120 volt outlets shown in the following illustration.



EXTENSION CORDS



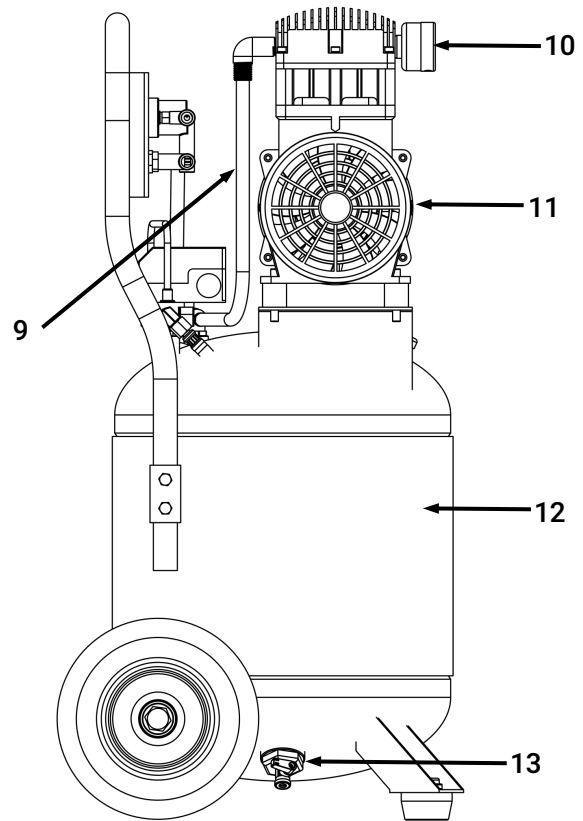
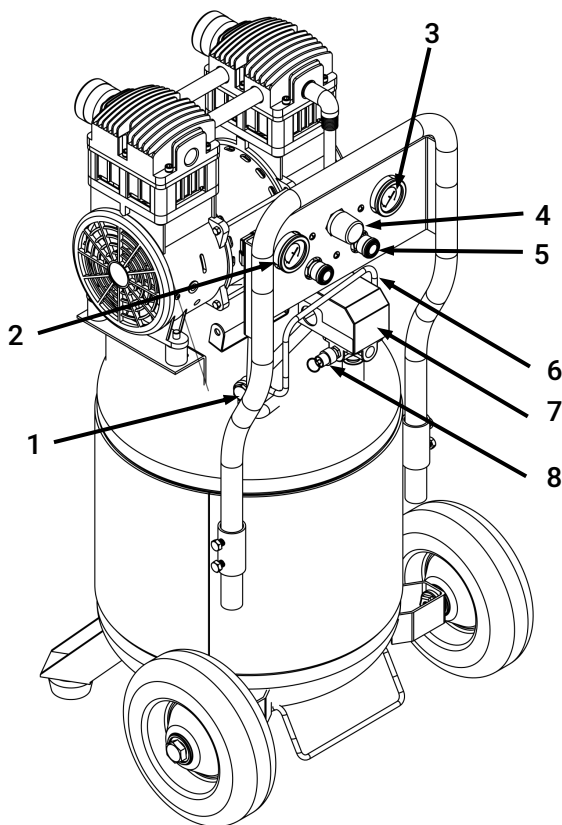
WARNING

- **USE A PROPER EXTENSION CORD.** Make sure your extension cord is in good condition. When using an extension cord, be sure to use one heavy enough to carry the current your product will draw. An undersized cord will cause a drop in line voltage, resulting in loss of power and cause overheating.
 - Be sure your extension cord is properly wired and in good condition. Always replace a damaged extension cord or have it repaired by a qualified person before using it. Protect your extension cords from sharp objects excessive heat and damp or wet areas.
1. Grounded tools require a 3-wire extension cord. Double Insulated tools can use either a 2- or 3- wire extension cord.
 2. As the distance from the supply outlet increases, you must use a heavier gauge extension cord. Using extension cords with inadequately sized wire causes a serious drop in voltage, resulting in loss of power and possible tool damage.
 3. The smaller the gauge number of the wire, the greater the capacity of the cord. For example, a 14-gauge cord can carry a higher current than a 16-gauge cord. Minimum extension cord wire size is shown in the following table:

Minimum Wire Size of Extension Cords				
Nameplate AMPS	Cord Length			
	25'	50'	100'	150'
0-6	18 AWG	16 AWG	16 AWG	14 AWG
6-10	18 AWG	16 AWG	14 AWG	12 AWG
10-12	16 AWG	16 AWG	14 AWG	12 AWG
12-16	14 AWG	12 AWG	NOT RECOMMENDED	

4. When using more than one extension cord to make up the total length, make sure each cord contains at least the minimum wire size required.
5. If you are using one extension cord for more than one tool, add the nameplate amperes and use the sum to determine the required minimum cord size.
6. If you are using an extension cord outdoors, make sure it is marked with the suffix W-A (W in Canada) to indicate it is acceptable for outdoor use.
7. Make sure your extension cord is properly wired and in good electrical condition. Always replace a damaged extension cord or have it repaired by a qualified electrician before using it.
8. Protect your extension cords from sharp objects, excessive heat, and damp or wet areas.

COMPONENT IDENTIFICATION



1. **Check Valve:** To seal off and maintain pressure after the top end pressure setting of pressure switch is reached. The check valve works in conjunction with the pressure switch unloader to provide a load-less start to the compressor system . A quick burst of air escaping from the pressure switch unloader after an electric unit reaches top end indicates the check valve is working properly. If the compressor has a mysterious leak after stopping that cannot be traced elsewhere, the check valve may require servicing/replacing.
2. **Outlet Pressure Gauge:** The outlet pressure gauge indicates the air pressure available at the outlet side of the regulator. This pressure is controlled by the regulator and is always less or equal to the air tank pressure.
3. **Air Tank Pressure Gauge:** This pressure gauge indicates the reserve air pressure in the air tank .
4. **Regulator:** The air coming from the air tank is controlled by the regulator knob. Turn the regulation knob clockwise to increase discharge pressure, and counter-clockwise to decrease discharge pressure. Follow tool operating instruction for recommended pressure range.
5. **Quick connector:** 1/4 NPT quick connect fittings.
6. **Pressure Switch Unloader:** Vents discharge air to atmosphere in start/stop operation.
7. **Pressure Switch-Auto/Off switch:** In AUTO position, compressor shuts off automatically when tank pressure reaches maximum preset pressure. In OFF position, compressor will not operate. Switch should be in OFF position when connecting or disconnecting power cord from electrical outlet. NEVER attempt to adjust this pressure switch.
8. **ASME Safety Valve:** The valve is designed to prevent system failure by relieving pressure from the system when the compressed air reaches a predetermined level. The valve is preset by the manufacturer and must not be modified in anyway. To verify the valve is working properly, pull on the ring. Air pressure should escape. W hen the ring is released, it will reset.
9. **Discharge Tube:** Carries compressed air form pump to check valve, and then to the storage tank . It becomes very hot during use and can cause severe burns. Don' t touch.
10. **Compressor Air Filter:** The air filter is designed to clean air coming into pump. To ensure the pump continuously receives a clean, cool and dry air supply, this filter must always be clean and ventilation opening free from obstructions.
11. **Air Compressor Pump:** Oil-free and no need to fill oil.
12. **Air Receiver/Storage Tank:** 10gallon ASME certified tank .
13. **Tank Drain Valve:** Used to remove moisture from air after compressor is shut off and air emptied from tank . Drain Moisture daily after each use.

INITIAL SET-UP

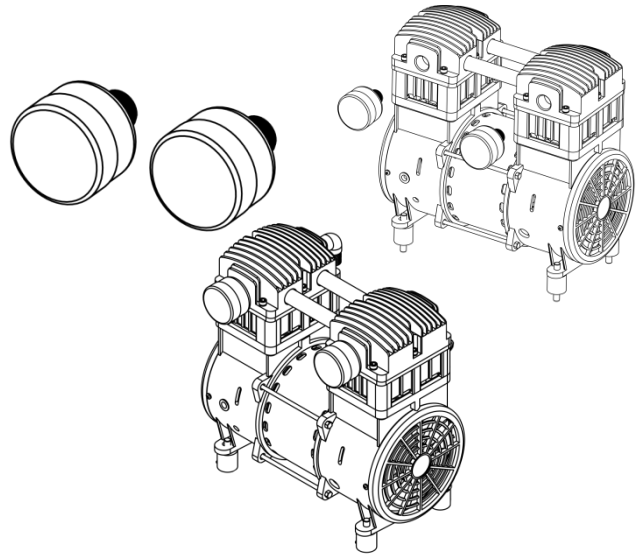
1. Attach Air Filter

1. Air filters are attached in the package of the compressor.
2. Remove the plastic cap plugged in the inlet port on cylinder head to assemble the air filter.



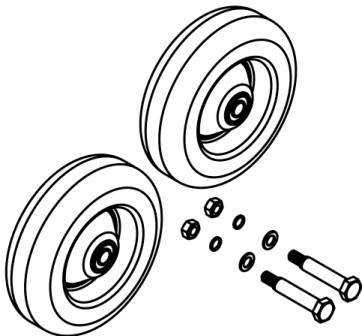
WARNING

The plastic cap plugged in the inlet port on cylinder head has to be removed before assembling air filters on otherwise the compressor will not produce air.



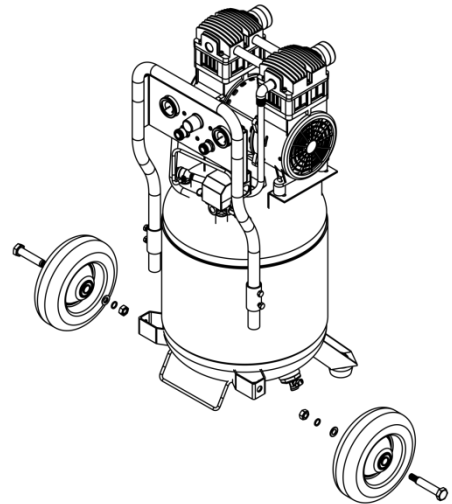
2. Wheel Set

1. Attach the tank wheels to the tank frame using the tank wheel bolts in the mounting structure.



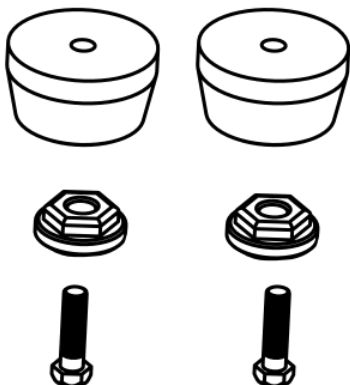
Wheel set

Wheel-----	2pcs
Bolts-----	2pcs
Spring washer-----	2pcs
Washer-----	2pcs
Nuts-----	2pcs



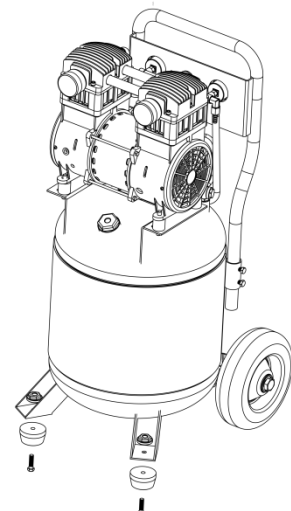
3. Rubber pad set

1. Attach the rubber pad to the tank frame using the bolts in the mounting structure.



Rubber pad set

Rubber pad-----	2pcs
Bolts-----	2pcs
Nuts-----	2pcs



BEFORE EACH USE



WARNING

- Failure to follow safety rules may result in serious injury or death to the operator or bystanders.
- Inspect all hoses, fittings and couplings for leaks and wear. When leaks and wear are detected, stop use immediately and replace those items before continuing use. Do not repair.
- Never leave pressurized air in the air tank when performing maintenance.

Before starting the compressor, review the safety rules found above and throughout the manual.

Check to see that nuts and bolts are all snug. This must be done, as some fasteners may become loose in transit.

Check that compressor is on a strong, stable level base.

Check that air filter is clean.

Do not place any materials on or against the compressor unit. Obstacle materials will limit the cooling effect and could lead to premature failure.

Check the air compressor and piping systems for leakages and correct as required.

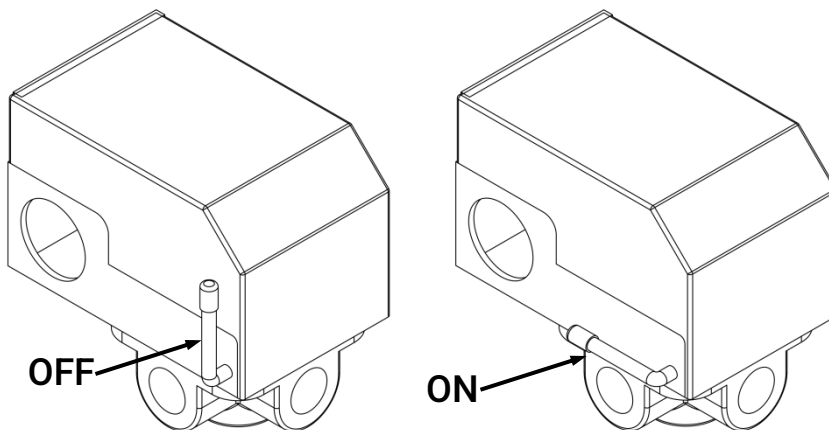
OPERATING INSTRUCTIONS



CAUTION: BREAK IN PERIOD

Before initial use, open the drain valve and run the compressor without air tools attached and through open air for 20 minutes to break-in pump parts.

1. Verify that the pressure switch is in the OFF position.



2. Turn regulator counter clockwise to close.
3. Open the air receiver drain so that the air flow is permitted (for break-in period only).
4. Turn the pressure switch to the ON position to start the unit for no load operation. Allow the unit to operate for a minimum of twenty minutes in no load condition (for break-in period only).
6. After running the compressor for twenty minutes (break-in period), close the drain valve and allow the unit to reach maximum operating pressure. Ensure that the compressor shuts down at the preset maximum pressure and the head pressure is released through the pressure switch.



WARNING: HOT SURFACE AND FIRE HAZARD

- The pump of the compressor will become very hot during and immediately after use. Do not touch any part of the pump of this compressor with bare hands other than the ON/OFF switch during and immediately after use.
- Allow the air compressor to cool before touching it.
- Provide access to adequate, clean, and unobstructed airflow for cooling and air supply.
- Do not allow debris to accumulate or block airflow.
- Do not operate with a tarp, blanket, or storage cover surrounding the machine, which blocks air flow. Only place a cover on the air compressor after it has thoroughly cooled down.



WARNING: FLYING OBJECTS HAZARD

- Always wear the proper protective equipment including ANSI Z87.1 compliant eye protection.
- Air-powered equipment and power tools are capable of propelling items (metal chips, fasteners, and particulates) at high speed into the air and could result in injury.
- Never point the air stream at any part of your body, at another person, or an animal.
- When operating the air compressor, make sure all other people and animals maintain a safe distance.
- Do not move the air compressor when the air tank is under pressure.
- Never use the air hoses to pull or move the air compressor.
- For use on a hard, level surface capable of sustaining the weight of the compressor and any other tools and people in the work area.

6. Adjust regulator to desired pressure.

Note: This electric model is equipped with a pressure switch that automatically turns the motor off when the tank pressure reaches its preset level. Once air pressure in the tank drops to a preset low level, the pressure switch automatically turns the motor back on.



WARNING: EXPLOSION HAZARD

- To prevent injury or property damage, only use high-pressure hoses, fittings, and couplings designed for use with air compressors.
- Never use this compressor to inflate small low-pressure objects, i.e., balloons/inflatables, small or low volume PSI tires. It is easy to over-pressurize them, causing them to rupture. Identify the inflation capacity of an object prior to filling it with air. Use a gauge to check the pressure regularly when inflating anything.
- Inspect all hoses, fittings and couplings for leaks and wear. When leaks and wear are detected, stop use immediately and replace those items before continuing use. Do not repair.
- Never leave pressurized air in the air tank when performing maintenance.
- Never leave the air compressor unattended with the power supply in use and the air hose connected.
- Improper care could lead to the air tank bursting or exploding.
- Drain air tank daily or after each use to prevent moisture buildup in the air tank .
- Rust can weaken the air tank and cause leaks or bursting. If rust is detected, replace tank immediately. Do not try to repair the air tank by welding, drilling or modifying it in any other way. These modifications can weaken the air tank and cause a hazardous condition.
- Never make adjustments to factory-set pressures.
- Never exceed manufacture's maximum-allowable pressure rating attachments.
- Because of extreme heat, do not use plastic pipe or lead tin solder joints for discharge line.



WARNING: EXPLOSION AND FIRE HAZARD

- Do not use the compressor in the presence of gasoline, solvents, flammable liquids, or flammable vapors. This compressor can produce sparks which can ignite flammable liquids and vapors, causing fire or explosion.
- Abrasive tools such as grinders, drills and other tools are capable of making sparks that can ignite flammable materials, liquids and vapors causing fire or explosion.
- Always operate the compressor at a safe distance away from flammable items. Use in well-ventilated areas.
- Do not exceed the maximum rated pressure.

For Malfunction During Operation: Immediately turn off the compressor if any of the following conditions arise during operation:

- Excessive change in motor speed, slow or fast
- Overheating
- Excessive vibration
- Unusual noise
- Flame or smoke
- Air leakage

Pull ring on safety valve to immediately relieve pressure.

AFTER EACH USE



WARNING

- Drain air tank daily or after each use to prevent moisture buildup in the air tank .
 - Rust can weaken the air tank and cause leaks or bursting. If rust is detected, replace tank immediately. Do not try to repair the air tank by welding, drilling or modifying it in any other way. These modifications can weaken the air tank and cause a hazardous condition.
 - Do not leave an operating machine unattended. Always shut the machine OFF and release the pressure before leaving the machine. NEVER disconnect the high-pressure outlet hose from the unit while the tank and airline are pressurized. A hazardous high pressure air stream will result as receiver tank is quickly emptied.
1. Move the pressure switch to the OFF position.
 2. Turn regulator counter clockwise to close.
 3. Operate tools briefly to release live pressure.
 4. Disconnect all tools.
 5. Drain air receiver tank by pulling safety relief valve.
 6. After all storage air discharges, disconnect hoses.
 7. Once the tank pressure gauge registers under 10 PSI, open the drain valve on the bottom of the tank to drain condensation moisture.
 8. Store the air compressor in a clean and dry location.

MAINTENANCE



WARNING

- Always disconnect, lock out, and tag the main power supply and then release air pressure from the air tank before cleaning, adjusting, or servicing the compressor. Make sure all guards and shields are replaced before re-starting.

Maintain the product by adopting a program of conscientious repair and maintenance in accordance with the following recommended procedures. It is recommended that the general condition of any tool be examined before it is used. Keep your tool in good repair. Keep all cutting tools sharp and clean. Keep handles dry, clean, and free from oil and grease. The following chart is based on a normal operation schedule.

Maintenance Interval	Maintenance Point
Daily checklist	Inspect and drain receiver tank .
Weekly checklist	Inspect safety/ relief valves. Inspect air filter.
Monthly	Clean and blow dust or dirt off pump fins and motor. Inspect air system for leaks.

No Modifications. Never modify or alter the compressor in any way. Modifications can create serious safety hazards and will void the warranty.

Inspect and Drain Receiver Tank. Drain water from the receiver tank daily. Water left in the tank can cause the tank to weaken and corrode, increasing the risk of tank rupture. Badly rusted receiver tanks must be replaced.



WARNING

- Failure to replace a rusted air receiver tank will eventually result in tank rupture or explosion, which could cause substantial property damage, severe personal injury, or death. Never modify or repair a tank . Obtain replacement from service center.

Inspect Safety Valve. This valve should be inspected and tested on a weekly basis.

- Check the safety valve by pulling the rings. It is spring loaded and should not be stuck but come out about 1/4" and then snap back into position when released.
- Replace safety valves that do not operate freely with a valve of the same pressure rating.



WARNING

- If the safety valve does not work properly, over-pressurization may occur causing air tank rupture or explosion. Occasionally pull the ring on the safety valve to make sure it operates freely.

Inspect Air Filter. Inspect the compressor's air filter on a weekly basis. A dirty air filter will not allow the air compressor to operate at full capacity.

- Clean air filter if dirty and restricted air flow.
- Replace the air filter every 12 months or 1000 hours.

Note: Do not operate with the air filter removed.

Keep Compressor Clean. Do not allow air intakes to become blocked. If dust or debris accumulates in the compressor, clean the compressor with a damp cloth or soft bristle brush.

Note: Do not spray compressor with a garden hose or pressure washer. Water may enter the compressor and cause damage to the motor and pump.

Inspect Compressor for Air Leaks. Inspect system for air leaks on a monthly basis. To test:

- Squirt soapy water around joints during compressor operation and watch for bubbles. Developing bubbles indicate a leak is present.
- Tighten fittings, if necessary.



WARNING

- If a part needs replacement, only use parts that meet the manufacturer's part number specifications. Replacement parts that do not meet specifications may result in a safety hazard or poor operation of the compressor. Major service, including installation or replacement of parts, should be made by a qualified electrical service technician.

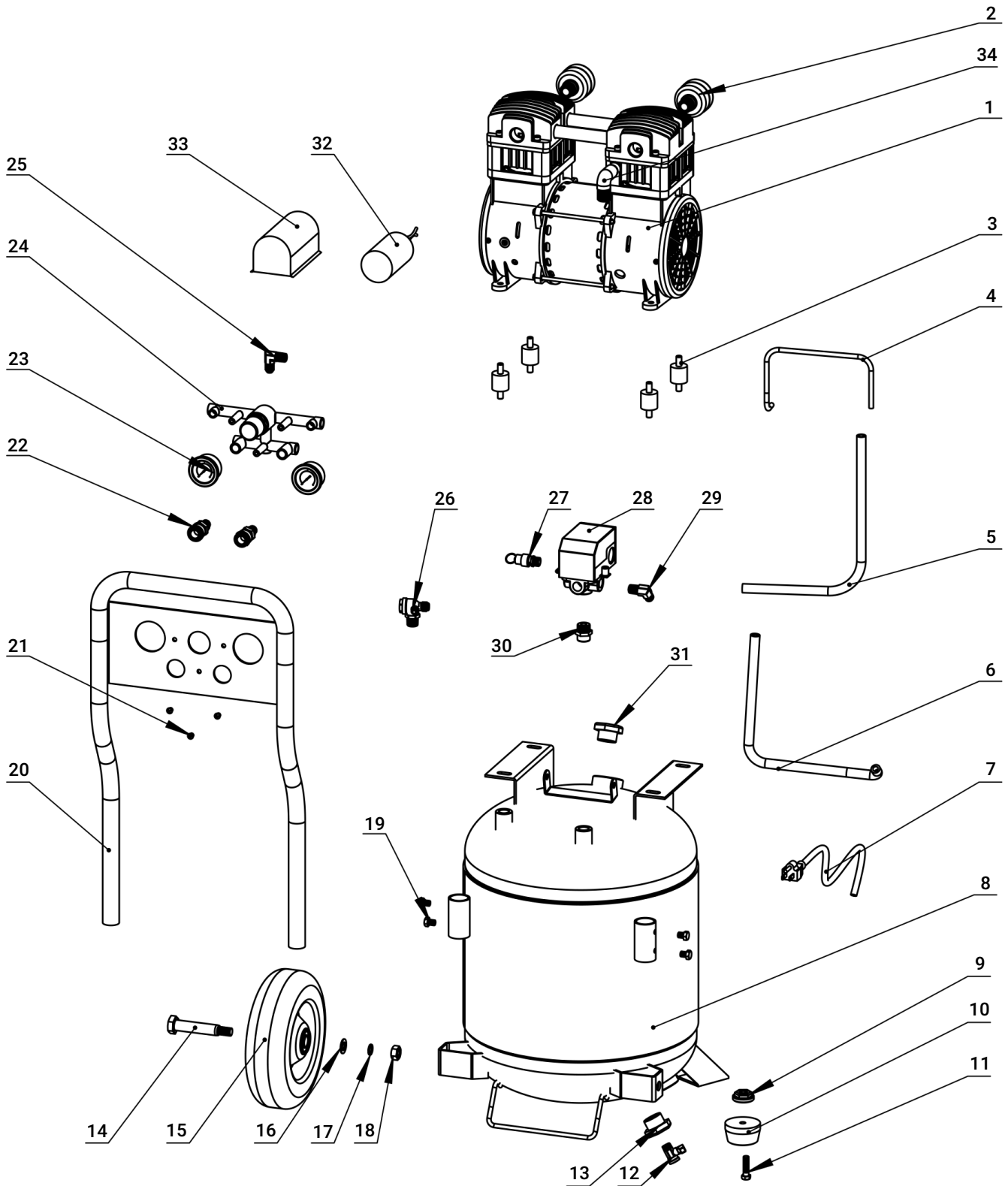
TROUBLESHOOTING

Use the table below to troubleshoot problems before contacting service personnel or your local dealer. If the problem continues after troubleshooting, call your local dealer for assistance.

Failure	Possible Cause	Corrective Action
Compressor won't start	<ol style="list-style-type: none"> 1. Loose electrical connection 2. Fuse blew 	<ol style="list-style-type: none"> 1. Check wiring connection 2. Replace fuse
Compressor runs continuously and air flow lower than normal	<ol style="list-style-type: none"> 1. Malfunction in valves 2. Loose tube or fittings 3. Restricted air filter 4. Dirty or defective check valve 5. Excessive air usage 	<ol style="list-style-type: none"> 1. Check inlet and exhaust valves 2. Tighten fittings 3. Clean or replace filter 4. Remove and clean or replace check valve 5. Decrease air usage
Excessive moisture in discharge	<ol style="list-style-type: none"> 1. Excessive water in air tank 2. High ambient temperature and / or humidity 	<ol style="list-style-type: none"> 1. Drain tank, tilt tank to drain. Drain tank more frequently. 2. Move compressor to area with less humidity, or use airline filter.
Compressor runs continuously causing pressure relief valve to open	<ol style="list-style-type: none"> 1. Defect pressure switch or improper adjustment 2. Defective pressure relief valve 	<ol style="list-style-type: none"> 1. Check for proper adjustment and if problem persists replace pressure switch 2. Replace valve
Excessive noise	<ol style="list-style-type: none"> 1. Loose valves 2. Loose piping 3. Foreign material on piston 	<ol style="list-style-type: none"> 1. Inspect valve for damage 2. Tighten as required 3. Clean piston
Compressor over heated	<ol style="list-style-type: none"> 1. Undersized unit for air requirements 2. Air leaks in the system 3. Restricted air filter 4. Worn or damage on valve 	<ol style="list-style-type: none"> 1. Contact your compressor distributor 2. Fix leaks 3. Clean or replace filter 4. Clean or replace valves
Compressor will not unload when stopped	<ol style="list-style-type: none"> 1. Pressure switch unloading valve may be dirty or faulty 2. Check valve may be dirty or faulty 	<ol style="list-style-type: none"> 1. Clean, repair or replace pressure switch 2. Clean, repair or replace check valve

PARTS LIST AND DIAGRAM

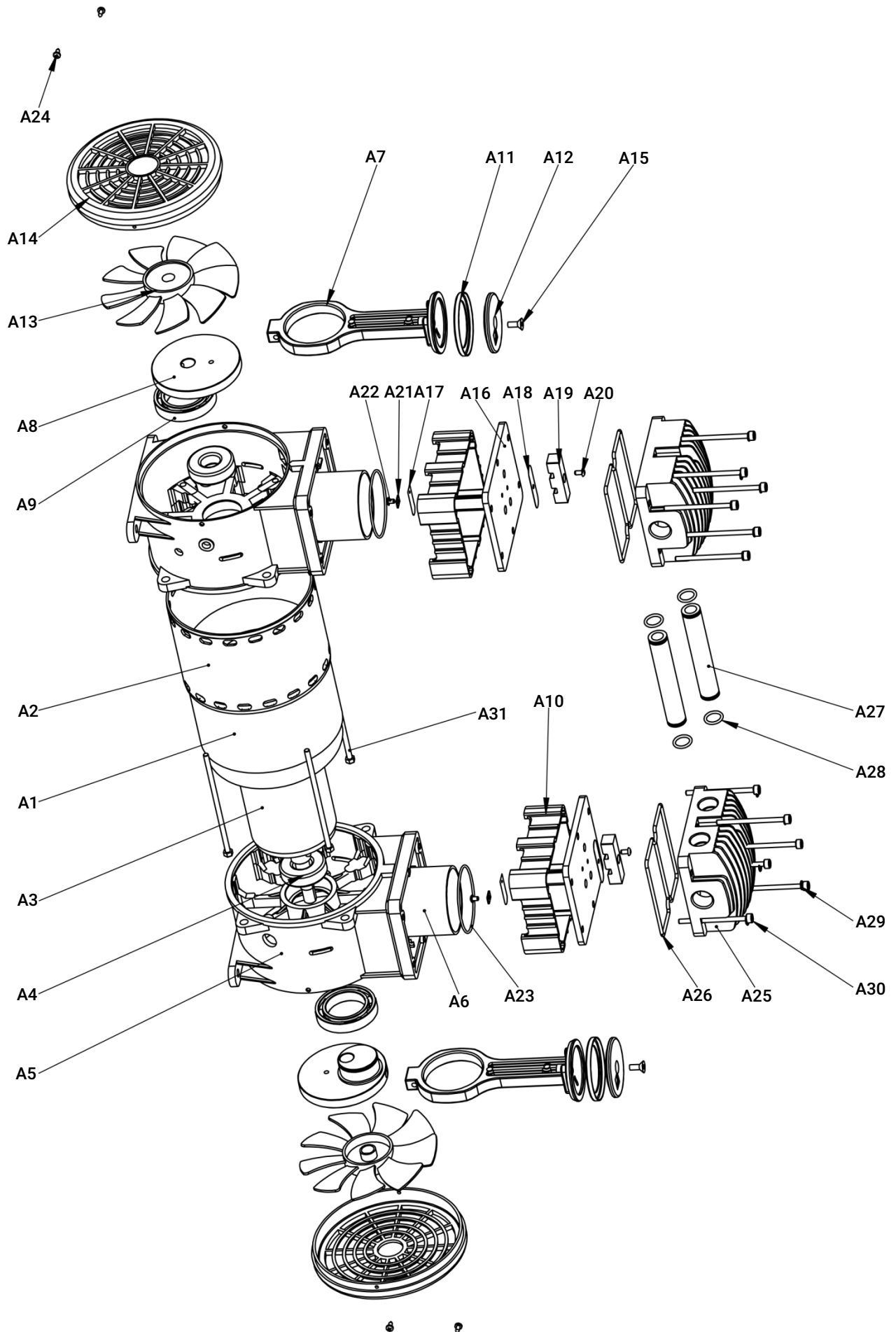
1. Parts Diagram- Air Receiver Tank



2. Parts List- Air Receiver Tank

PART NO.	DESCRIPTION	QTY	PART NO.	DESCRIPTION	QTY
1	Air pump	1	18	Nut M12	2
2	Air filter	2	19	Hexagon bolt M8x10	4
3	Vibration absorber set	4	20	Handle assembly	1
4	Exhaust tube	1	21	Screw M6x8	3
5	Outlet tube	1	22	Quick coupler	2
6	Inlet tube	1	23	Pressure gauge	2
7	Electric code	1	24	Regulator assembly	1
8	10 gallon air tank	1	25	Exhaust elbow G1/4"	1
9	Rubber mount pad nuts M8	2	26	Check valve	1
10	Rubber mount pad	2	27	Pressure relief valve	1
11	Hexagon bolt M8x30	2	28	Pressure switch	1
12	Drain valve 1/4"	1	29	Exhaust elbow G1/4"	1
13	Drain plug 1/4"	1	30	Doublenipples	1
14	Hexagon bolt M12x90	2	31	Air tank plug	1
15	Tank wheel 8"	2	32	Running capacitor	1
16	Plain washer Ø12	2	33	Capacitor cover	1
17	Spring washer Ø12	2	34	Pump elbow G1/2"	1

3. Parts Diagram- Air Pump



4. Parts List- Air Pump

PART NO.	DESCRIPTION	QTY	PART NO.	DESCRIPTION	QTY
A1	Electric motor stator	1	A17	Intake valve disc	2
A2	Motor housing	1	A18	Outlet valve disc	2
A3	Electric motor rotor	1	A19	Limited block	2
A4	Bearing 6204	2	A20	Screw M4x8	2
A5	Cylinder housing	2	A21	Square gasket	2
A6	Cylinder stator	2	A22	Screw M4x6	2
A7	Piston rod	2	A23	O ring	2
A8	Crankshaft & balancer	2	A24	Screw of fan cover M3x12	4
A9	Bearing 6908	2	A25	Cylinder head	2
A10	Cylinder support	2	A26	Cylinder head seal	2
A11	Seal ring	2	A27	Nipple	2
A12	Pressure plate	2	A28	O ring	4
A13	Fan	2	A29	Plain washer Ø6	12
A14	Fan cover	2	A30	Hexagon socket set bolt M6x70	12
A15	Screw M6x14	2	A31	Hexagon bolt M5x120	4
A16	Valve plate	2			