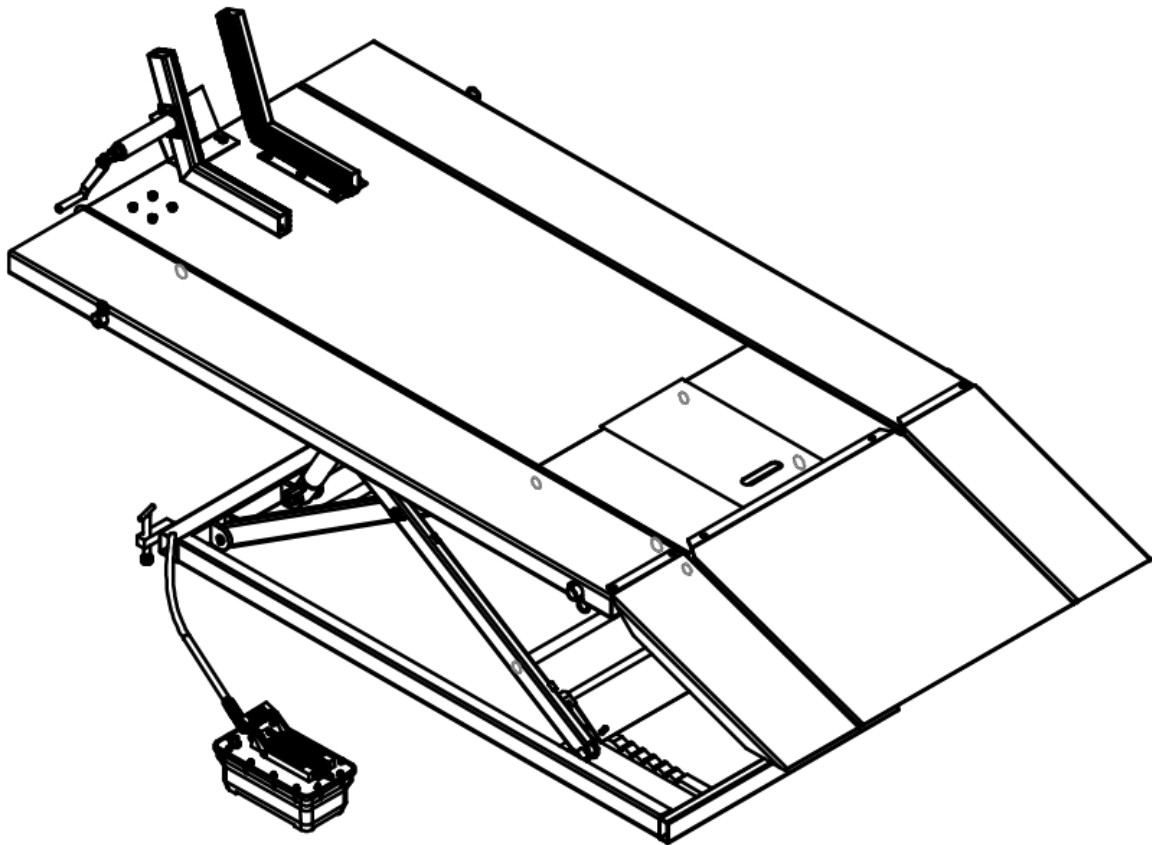
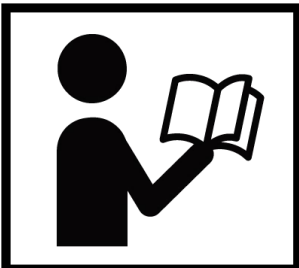


1500-LB PORTABLE MOTORCYCLE/ATV LIFT



⚠ WARNING



- Please read and understand the product manual completely before assembly
- Check against the parts list to make sure all parts are received
- Wear proper safety goggles or other protective gears while in assembly
- Do not return the product to dealer. They are not equipped to handle your requests.

Missing parts or questions on assembly?

Please call: 1-877-761-2819 or email: cs@tmgindustrial.com

IMPORTANT NOTICE

Do not attempt to install this lift if you have never been trained on basic motorcycle lift installation procedures. Never attempt to lift components without proper lifting tools such as a forklift or crane. Stay clear of any moving parts that can fall and cause injury. These instructions must be followed to ensure proper installation and operation of your lift. Failure to comply with these instructions can result in serious bodily harm and void product warranty. Manufacturer will assume no liability for loss or damage of any kind, expressed or implied resulting from improper installation or use of this product.

PLEASE READ ENTIRE MANUAL PRIOR TO INSTALLATION.

DEFINITIONS OF HAZARD LEVELS

Identify the hazard levels used in this manual with the following definitions and signal words:



Watch for this symbol as it means: Immediate hazards which will result in severe personal injury or death.



Watch for this symbol as it means: Hazards or unsafe practices which could result in severe personal injury or death.



Watch for this symbol as it means: Hazards or unsafe practices which may result in minor personal injury, product or property damage.

OWNER'S RESPONSIBILITY

To maintain the lift and user safety, the responsibility of the owner is to read and follow these instructions:

- ◆ Follow all installation and operation instructions.
- ◆ Make sure installation conforms to all applicable Local, State, and Federal Codes, Rules, and Regulations; such as State and Federal OSHA Regulations and Electrical Codes.
- ◆ Carefully check the lift for correct initial function.
- ◆ Read and follow the safety instructions. Keep them readily available for machine operators.
- ◆ Make certain all operators are properly trained, know how to safely and correctly operate the unit, and are properly supervised.
- ◆ Allow unit operation only with all parts in place and operating safely.
- ◆ Carefully inspect the unit on a regular basis and perform all maintenance as required.
- ◆ Service and maintain the unit only with authorized or approved replacement parts.
- ◆ Keep all instructions permanently with the unit and all decals on the unit clean and visible.

BEFORE YOU BEGIN

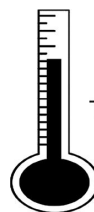
NOTIFY THE CARRIER AT ONCE if any hidden loss or damage is discovered after receipt and request the carrier to make an inspection. If the carrier will not do so, prepare a signed statement to the effect that you have notified the carrier (on a specific date) and that the carrier has failed to comply with your request.

IT IS DIFFICULT TO COLLECT FOR LOSS OR DAMAGE AFTER YOU HAVE GIVEN THE CARRIER A CLEAR RECEIPT.

Support claim with copies of the bill of lading, freight bill, invoice, and photographs, if available. our's willingness to assist in helping you process your claim does not make responsible for collection of claims or replacement of lost or damage materials.

**INSTALLER / OPERATOR PLEASE READ AND FULLY UNDERSTAND. BY
PROCEEDING
YOU AGREE TO THE FOLLOWING.**

- ◆ I have visually inspected the site where the lift is to be installed and verified the concrete to be in good condition and free of cracks or other defects. I understand that installing a lift on cracked or defective concrete could cause lift failure resulting in personal injury or death.
- ◆ I understand that a level floor is required for proper installation and level lifting.
- ◆ I understand that I am responsible if my floor is of questionable slope and that I will be responsible for all charges related to pouring a new, level concrete slab if required.
- ◆ I will assume full responsibility for the concrete floor and condition thereof, now or later, where the above equipment model is to be installed. Failure to follow Danger, Warning, and Caution instructions may lead to serious personal injury or death to operator or bystander or damage to property.
- ◆ I understand that the lifts are designed to be operated in indoor locations only. Failure to follow installation instructions may lead to serious personal injury or death to operator or bystander or damage to property or lift.



CAUTION

The safe operating temperature range for this product is 41° F. - 104 °F.



Failure to follow Danger, Warning, and Caution instructions may lead to serious personal injury or death to operator or bystander or damage to property.



Please read the entire manual prior to installation.
Do not operate this machine until you have read and have understood all of the Danger, Warning and Caution alerts in this manual.

INSTALLER / OPERATOR PROTECTIVE EQUIPMENT

Personal protective equipment helps makes installation and operation safer, however, it does not take the place of safe operating practices. Always wear durable work clothing during any installation and/or service activity. Shop aprons or shop coats may also be worn, however loose-fitting clothing should be avoided.

Tight-fitting leather gloves are recommended to protect the technician's hands when handling parts. Sturdy leather steel-toe work shoes and oil resistant soles should be used by all service personnel to help prevent injury during typical installation and operation activities.

Eye protection is essential during installation and operation activities. Safety glasses with side shields, goggles, or face shields are acceptable. Back belts provide support during lifting activities and are also helpful in providing worker protection. Consideration should also be given to the use of hearing protection if service activity is performed in an enclosed area, or if noise levels are high.



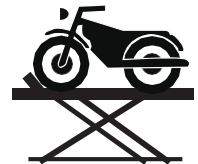
THIS SYMBOL POINTS OUT IMPORTANT SAFETY INSTRUCTIONS WHICH IF NOT FOLLOWED COULD ENDANGER THE PERSONAL SAFETY AND/OR PROPERTY OR YOURSELF AND OTHERS AND CAN CAUSE PERSONAL INJURY OR DEATH. READ AND FOLLOW ALL INSTRUCTIONS IN THIS MANUAL BEFORE ATTEMPTING TO OPERATE THIS MACHINE.

IMPORTANT SAFETY INSTRUCTIONS

IMPORTANT SAFETY INSTRUCTIONS

Read these safety instructions entirely. Do not attempt to install this lift if you have never been trained on basic motorcycle lift installation procedures. Never attempt to lift components without proper lifting tools such as forklifts or cranes. Stay clear of any moving parts that may fall and cause injury. When using your garage equipment, basic safety precautions should always be followed, including the following:

1. Read and understand all instructions and all safety warnings before operating lift.
2. Care must be taken as burns can occur from touching hot parts.
3. Do not operate equipment with a damaged pneumatic hose or if the equipment has been dropped or damaged until it has been examined by a qualified service person.
4. Do not let the pneumatic hose hang over the edge of the table or come in contact with hot manifolds or moving fan blades.
5. Care should be taken to arrange the pneumatic hose so that it will not be tripped over or pulled.
6. Adequate ventilation should be provided when working on operating internal combustion engines.
7. Keep hair, loose clothing, fingers, and all parts of body away from moving parts. Keep feet clear of lift when lowering. Avoid pinch points.
8. Use only as described in this manual. Use only manufacturer's recommended attachments.
9. ALWAYS WEAR SAFETY GLASSES. Everyday eyeglasses only have impact resistant lenses, they are not safety glasses.
10. Consider work environment. Keep work area clean. Cluttered work areas invite injuries. Keep areas well lit.
11. Only trained operators should operate this lift. All non-trained personnel should be kept away from the work area. Never let non-trained personnel come in contact with, or operate lift.
12. DO NOT override self-closing lift controls.
13. Clear area if vehicle is in danger of falling.
14. ALWAYS make sure the safety is engaged before attempting to work on or near a vehicle.
15. MAINTAIN WITH CARE. Keep lift clean for better and safer performance. Follow manual for proper lubrication and maintenance instructions. Keep control handles and/or buttons dry, clean and free from grease and oil.
16. Check for damaged parts. Check for alignment of moving parts, breakage of parts or any condition that may affect operation of lift. Do not use lift if any component is broken or damaged.
17. NEVER remove safety related components from the lift. Do not use lift if safety related components are missing or damaged.
18. STAY ALERT. Use common sense and watch what you are doing. Remember, SAFETY FIRST
19. USE LIFT CORRECTLY. Use lift in the proper manner. Never use lifting adapters other than what is approved by the manufacturer.
20. When the lift is being lowered, make sure everyone is standing at least six feet away.
21. Be sure there are no jacks, tools or any type of equipment left under the lift before lowering.
22. It is important that you know the load limit. Be careful that you do not overload the lift. If you are unsure what the load limit is, refer to this manual or contact the manufacturer



SAVE THESE INSTRUCTIONS

TOOLS REQUIRED

◆ Open-End Wrench Set: Metric

◆ Socket And Ratchet Set: Metric

IMPORTANT NOTICE

THESE INSTRUCTIONS MUST BE FOLLOWED TO ENSURE PROPER INSTALLATION AND OPERATION OF YOUR LIFT. FAILURE TO COMPLY WITH THESE INSTRUCTIONS CAN RESULT IN SERIOUS BODILY HARM AND VOID PRODUCT WARRANTY. MANUFACTURER WILL ASSUME NO LIABILITY FOR LOSS OR DAMAGE OF ANY KIND, EXPRESSED OR IMPLIED, RESULTING FROM IMPROPER INSTALLATION OR USE OF THIS PRODUCT.

PLEASE READ ENTIRE MANUAL PRIOR TO INSTALLATION

STEP 1 (Selecting Site)

Before installing your new lift, check the following.

1. **LIFT LOCATION:** Always make sure that adequate space is available for your new lift.
2. **OVERHEAD OBSTRUCTIONS:** The area where the lift will be located should be free of overhead obstructions such as heaters, building supports, electrical lines etc.
3. **DEFECTIVE FLOOR:** Visually inspect the site where the lift is to be installed and check for defective concrete.
4. Your new Motorcycle / ATV Lift is designed for **INDOOR INSTALLATION ONLY**.

STEP 2 (Floor Requirements)

This lift must be installed on a solid level concrete floor with no more than 3-degrees of slope. Failure to do so could cause personal injury or death.

A level floor is suggested for proper use and installation and level lifting. If a floor is of questionable slope, consider a survey of the site and/or the possibility of pouring a new level concrete slab.

STEP 3 (General Specifications)

Main Lifting Table.....	28" W x 78 1/2" L
Width with Side Extensions.....	48" W
Extended Approach Ramp.....	10" W x 25 1/2" L
Lowered Height.....	7 1/4"
Capacity.....	1500 lb
Hydraulic tank capacity.....	1.6L
Hydraulic working flow.....	1/8~1/4GPM
Hydraulic fluid model.....	#15~#32



READ ENTIRE MANUAL AND COMPLY WITH ALL SAFETY AND SERVICE PRECAUTIONS. DEATH, PERSONAL INJURY AND / OR PROPERTY DAMAGE MAY OCCUR UNLESS INSTRUCTIONS ARE FOLLOWED CAREFULLY.

STEP 4 (Unpacking and Setup)

1. Open carton, then remove the shipping boards. Carefully unpack the lift making sure that all the parts have been included.



THE LIFT MAY BE DAMAGED AND/OR PERSONAL INJURY MAY RESULT IF THE PRESSURE EXCEEDS THE MAXIMUM 160 PSI RATING.

2. Remove the end of the black air hose from under-neath the lift and connect it to the hydraulic / pneumatic pump assembly.
3. Connect the pump assembly to an air supply with a pressure setting between 90 - 160 PSI , if air is not available proceed to the next step.
4. Raise the lift with either the hand valve connected to your air source or the foot valve, raise and rest the lift on the first lock.

TO LOWER LIFT:

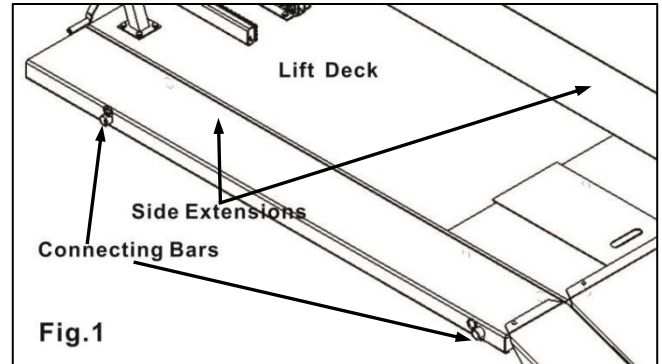
1. Raise the lift slightly and lift the safety latch and lower to next position or to the floor.



VISUALLY CONFIRM THAT SAFETY LOCK IS ENGAGED BEFORE ENTERING WORK AREA. REMAIN CLEAR OF ELEVATED LIFT UNLESS VISUAL CONFIRMATION IS MADE THAT SAFETY LOCK IS FULLY ENGAGED AND THE LIFT IS LOWERED ONTO THE SAFETY LOCK, REFER TO INSTALLATION / OPERATION MANUAL FOR PROPER SAFETY LOCK PROCEDURES AND / OR FURTHER INSTRUCTION.

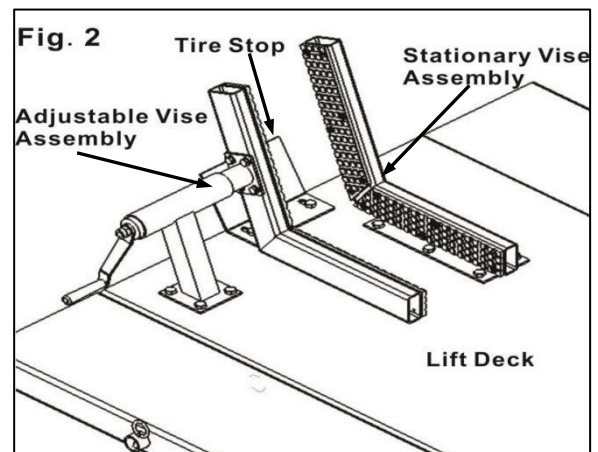
Optional - Step 5 (Side Extension Installation)

1. See fig. 1 to assist you in the process of this installation. Insert two of the long connecting bars into the 2 sets of large holes on the side of the lift deck.
2. Line up one of the side extensions with the connecting bars, place it on the connecting bars and slide it against the lift deck. Make sure the quick pin hole on each connecting bar is showing on the outside of the side extension.
3. Secure the second side extension following the previous step 2.
4. Insert the quick pins onto each side of the connecting bars making sure the round ring on each pin is pulled over the connecting bar.



Step 6 (Wheel Vise Installation)

1. See fig. 2 to assist you in the process of this installation. Locate the stationary vice arm and attach the tire stop to it using the locking pin.
2. Attach the stationary vice arm assembly to either if used or the lift deck making sure the rubber padding is facing the center of the lift. Attach using the provided M10 bolts, washers and nuts.
3. Locate the adjustable vice arm and attach the crank assembly to it using the 4 M8 bolts provided.
4. Attach the adjustable vice arm assembly to either if used or the lift deck making sure the rubber padding is facing the center of the lift. Attach using the provided M10 bolts, washers and nuts.

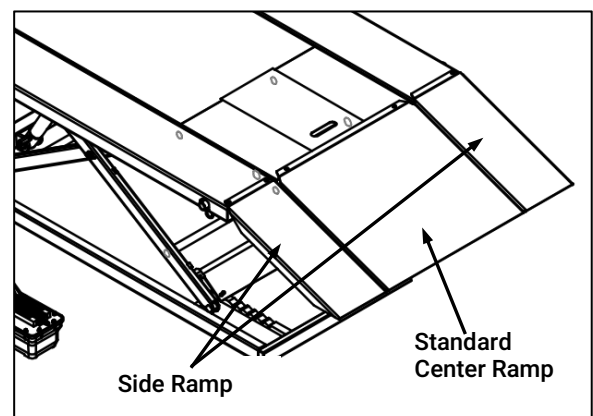


DANGER!

WHEN LOADING THE MOTORCYCLE DO NOT ATTEMPT TO RIDE IT ONTO THE LIFT. DAMAGE TO THE BIKE AND OR LIFT MAY OCCUR. PUSH IT ON INSTEAD.

Step 7 (Drive-Up Ramp Installation)

1. Locate the two side drive-up ramps with the welded nut on the bottom of them then locate the two threaded ramp supports and thread them into the welded nuts. Place these aside.
2. Locate the standard length center ramp without the supports and place it over the center of the base making sure the brackets are placed over the base securely.



LOCKING MECHANISM

1. The lock release mechanism is located on the left side of the lift if facing it as you would push your bike onto the lift.
2. There are two positions for the lock release lever. The upper position is the unlocked position and the lower position is the locked position.
3. While raising the lift place the lock release lever in the lower position so the lock is engaged as you raise the lift.
4. When you get to the desired height, press the Release side of the pump foot pedal and lower the lift into a locked position. When using the lift in the up position rest the lift in a locked position. The hydraulics are used for raising and controlled lowering only and should not be used as a load holding device. The mechanical lock is used for maintaining the lift in the up position.
5. To lower the lift raise it about 1" off of the locked position. Move the lock release lever to the upper position.
6. Make sure your feet, tools and all objects are removed from under and around the lift.
7. Press and hold the release pedal on the pump assembly to lower the lift. (The Lock handle will reset when the lift is lowered all the way down.)

Safe Lifting / Maintenance

1. Loads must be centered on table at all times.
2. Connect to 90 - 160 PSI maximum shop air.
3. Keep safety bar in position at all times – except when lowering.
4. Keep hands and tools from under table.
5. Do not attempt to climb on the lift when it is in an elevated position.
6. Do not ride the vehicle onto lift.
7. Secure the motorcycle in place by first tightening the wheel vise and second by strapping it down.
8. Straps must be used to secure the motorcycle to the lift. The wheel vise is for temporary holding only.
9. Lift must be in the lowered position when transporting.
10. Only trained operators should use lift.
11. The working area should be sufficiently lit.
12. Foot controller should be at least 3 feet away from lift during raising and lowering operation.
13. Lift is for indoor use only.
14. Loads must be firmly positioned and secured on table at all times.
15. All moving parts have been lubricated at the factory and should be re-lubricated every 6 months to prevent galling.
16. Lightly oil cylinder rod when it becomes dry.
17. Pivot shaft set screws should be checked frequently to ensure they are tight. These are located at the top end of the inside frame assembly.

Safe Lift Operation

Motorcycle lifts are critical to the operation and profitability of your business. The safe use of this and other lifts in your shop is critical in preventing employee injuries and damage to customer's vehicles. By operating lifts safely you can ensure that your shop is profitable, productive and safe. Safe operation of a motorcycle lift requires that only trained employees should be allowed to use the lift.

TRAINING SHOULD INCLUDE, BUT NOT LIMITED TO:

- ◆ Proper positioning of the vehicle on the table.
- ◆ Use of the operating controls.
- ◆ Understanding the lift capacity.
- ◆ Proper use of jack stands or other load supporting devices.
- ◆ Proper use, understanding and visual identification of safety lock devices and their operation.
- ◆ Proper housekeeping procedures (lift area should be free of grease, oil, tools, equipment, trash, and other debris)
- ◆ A daily inspection of the lift should be completed prior to its use. Safety devices, operating controls, lift arms and other critical parts should be inspected prior to using the lift.

Safe Lift Operation Continued

- ◆ All maintenance and repairs of the lift should be completed by following the manufacturer's requirements. Lift repair parts should meet or exceed OEM specifications. Repairs should only be completed by a qualified lift technician.
- ◆ The vehicle manufacturer's recommendations should be used for spotting and lifting the vehicle.

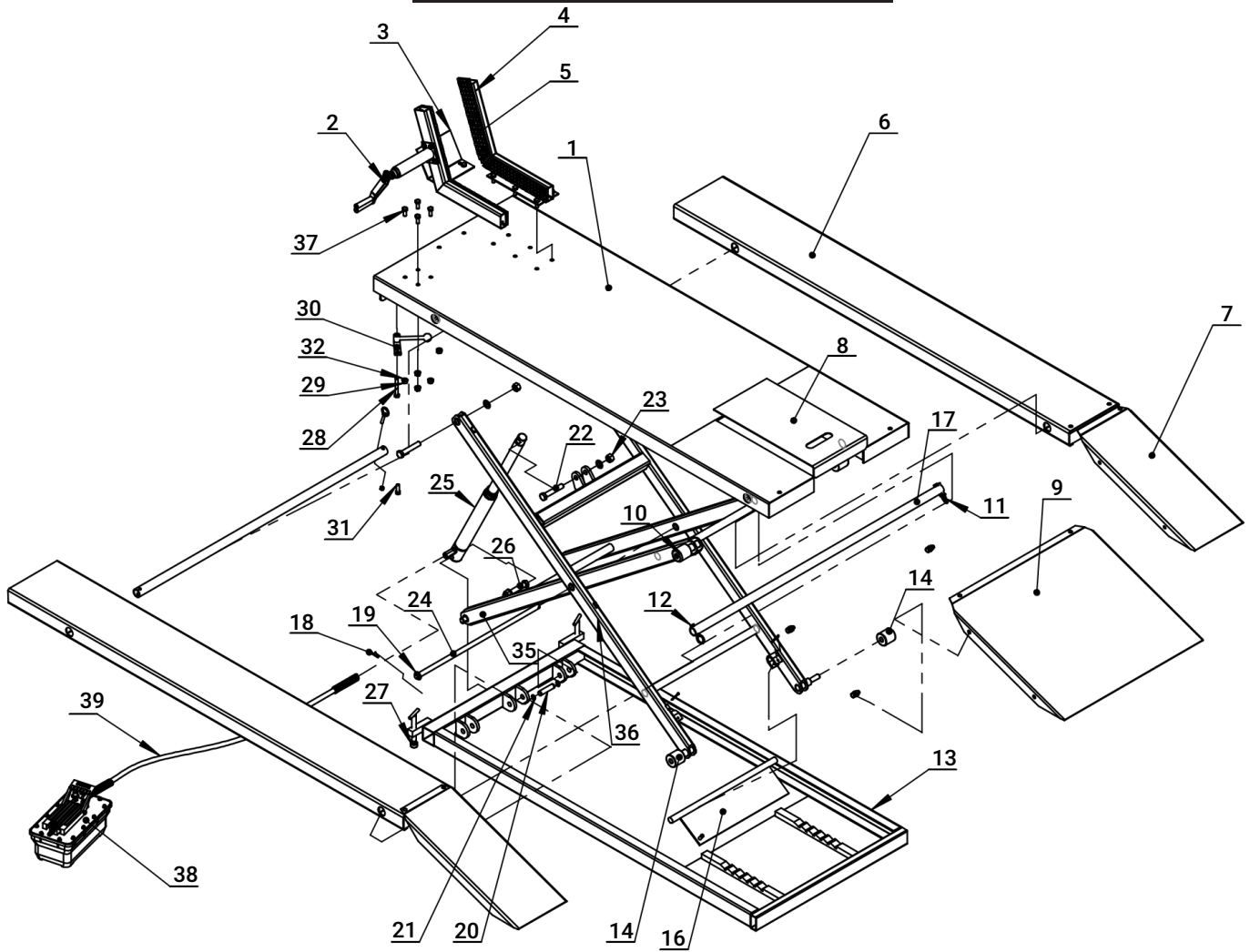
LIFT OPERATION SAFETY

- ◆ It is important that you know the load limit. Be careful that you do not overload the lift . If you are unsure what the load limit is, refer to this manual or contact the manufacturer.
- ◆ The center of gravity should be followed closely to what the manufacturer recommends.
- ◆ Always make sure you have proper overhead clearance. Additionally, check that attachments, (vehicle signs, pipes, antennas, etc.) are not in the way.
- ◆ Be sure that prior to the vehicle being raised the motorcycle is secured to the table.
- ◆ Prior to being raised, make sure there is no one standing closer than six feet from the lift
- ◆ After positioning the vehicle on the lift, make sure the ignition is off, overhead obstructions are cleared, and the transmission is in neutral.
- ◆ Always consider potential problems that might cause a vehicle to slip, i.e., heavy cargo, etc.
- ◆ Pay attention when walking around a vehicle that is up on the lift.



- ◆ **DO NOT** leave the controls while the lift is still in motion.
- ◆ **DO NOT** stand directly in front of the vehicle or in the bay when vehicle is being loaded into position.
- ◆ **DO NOT** Go near vehicle or attempt to work on the vehicle when being raised or lowered.
- ◆ **REMAIN CLEAR** of lift when raising or lowering vehicle.
- ◆ **DO NOT** rock the vehicle while on the lift or remove any heavy component from vehicle that may cause excessive weight shift.
- ◆ **DO NOT** lower the vehicle until people, materials, and tools are clear
- ◆ **ALWAYS ENSURE** that the safeties are engaged before any attempt is made to work on or near vehicle.
- ◆ Some vehicle maintenance and repair activities may cause the vehicle to shift. Follow the manufacturer's guidelines when performing these operations. The use of jack stands or alternate lift points may be required when completing some repairs.
- ◆ **READ AND UNDERSTAND** all safety warning procedures before operating lift.
- ◆ **KEEP HANDS AND FEET CLEAR.** Remove hands and feet from any moving parts. Keep feet clear of lift when lowering. Avoid pinch points.
- ◆ **ONLY TRAINED OPERATORS** should operate this lift. All non-trained personnel should be kept away from work area. Never let non-trained personnel come in contact with, or operate lift.
- ◆ **USE LIFT CORRECTLY.** Use lift in the proper manner. Never use lifting adapters other than what is approved by the manufacturer.
- ◆ **DO NOT** override self-closing lift controls.
- ◆ **CLEAR AREA** if vehicle is on danger of falling.
- ◆ **STAY ALERT.** Watch what you are doing. Use common sense. Be aware.
- ◆ **CHECK FOR DAMAGED PARTS.** Check for alignment of moving parts, breakage of parts or any condition that may affect its operation. Do not use lift if any component is broken or damaged.
- ◆ **NEVER** remove safety related components from the lift. Do not use lift if safety related components are damaged or missing.
- ◆ When the lift is being lowered, make sure everyone is standing at least six feet away.
- ◆ Be sure there are no jacks, tools, equipment, left under the lift before lowering.
- ◆ Always lower the vehicle down slowly and smoothly.

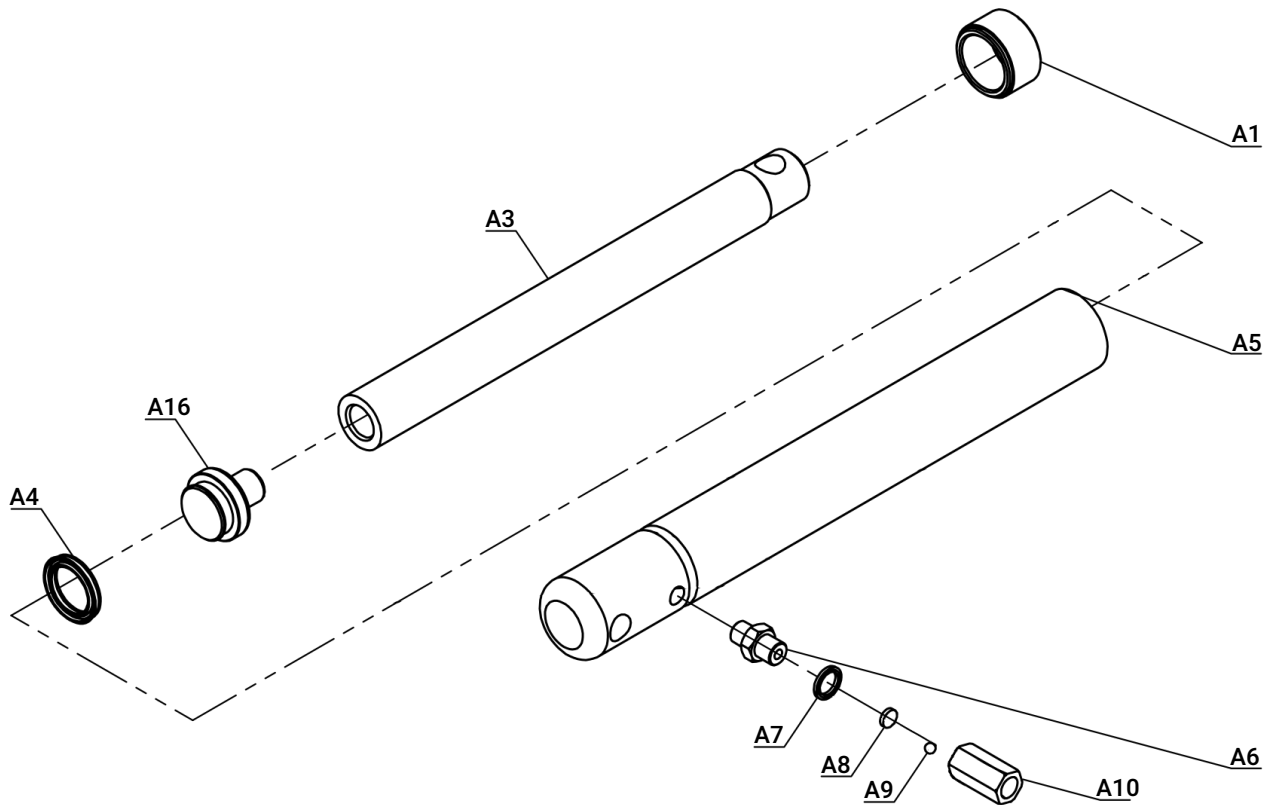
MAIN PARTS BREAKDOWN



MAIN PARTS PARTS LIST

PART NO.	DESCRIPTION	QTY	PART NO.	DESCRIPTION	QTY
1	Deck plate	1	20	Roll pin 16x70	4
2	Adjustable vise arm	1	21	M16 retainer ring	8
3	Tire stop	1	22	M16X80mm bolt	1
4	Stationary vise arm	1	23	M16 nylon lock nut	2
5	Rubber plate	2	24	Center axis Ø16 X620	1
6	Side extensions (Right & Left)	2	25	Cylinder	1
7	Side ramp	2	26	M16X90mm bolt	1
8	Standard drop-out plate	1	27	Adjustable feet	2
9	Standard center ramp	1	28	M10X70mm bolt	1
10	Up-scissor guide wheel	2	29	M10 nuts	17
11	M8 x 40mm ring bolt	4	30	Safety handle	1
12	M8 nuts	4	31	M10X25mm bolt	1
13	Base assembly	1	32	Flat washer Ø10	16
14	Below-scissor guide wheel	2	35	Inner scissor	1
15			36	Outer scissor	1
16	Safety latch	1	37	M10X25mm bolt	16
17	Connecting bar	2	38	Pump assembly	1
18	M16 retainer ring	2	39	Hydraulic tubing 5/8"x1.2m	1
19	Ø16 flat washer	4			

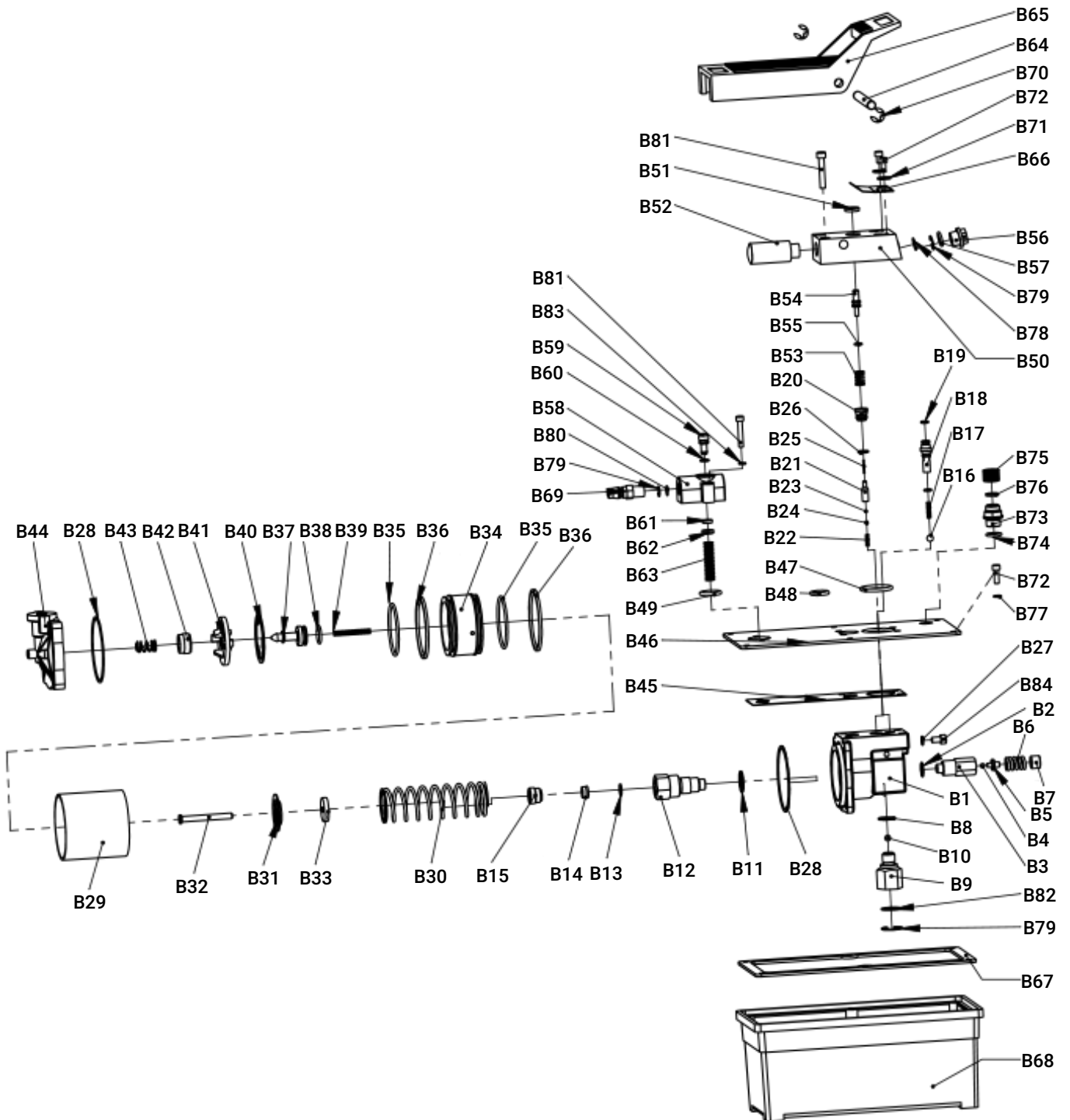
CYLINDER BREAKDOWN



CYLINDER PARTS LIST

PART NO.	DESCRIPTION	QTY	PART NO.	DESCRIPTION	QTY
A1	Cylinder end cap M45x25	1	A9	Steel ball Ø6	1
A2			A10	Flow regulator valve	1
A3	Piston Ø34x343	1	A11		
A4	Y-ring 42x32x6	1	A12		
A5	Hydraulic cylinder tube	1	A13		
A6	Flow regulator valve connect	1	A14		
A7	Compound gasket Ø14	1	A15	Piston head	1
A8	Exhaust filter mesh	1			

PUMP BREAKDOWN



PUMP PARTS LIST

PART NO.	DESCRIPTION	QTY	PART NO.	DESCRIPTION	QTY
B1	Plunger pump body	1	B43	Cylinder head spring Ø9.5x16	1
B2	Overflow washer Ø10	1	B44	Back cover	1
B3	Overflow valve body	1	B45	Pump cover seal washer	1
B4	Overflow one-way valve	1	B46	Reservoir cover	1
B5	Overflow ball holder	1	B47	Oil outlet O-ring Ø30x3.3	1
B6	Overflow spring Ø12x8	1	B48	Air vent O-ring Ø18x3.3	3
B7	Adjust plug	1	B49	Steel ball	2
B8	Copper washer Ø14	1	B50	Oil outlet valve block	1
B9	Oil absorption filter	1	B51	Anti-dust ring	1
B10	Oil absorption one-way valve	1	B52	Muffler	1
B11	Copper washer Ø18	1	B53	Oil drain spring Ø9.2x15	1
B12	Plunger body	1	B54	Oil drain switch	1
B13	Plunger seal washer	1	B55	Oil drain pressure bar O-ring Ø6.5x1.7	1
B14	Plunger seal washer	1	B56	Oil port end cap	1
B15	Front cover Ø18x14	1	B57	Oil port end cap O-ring Ø15.5x2.3	1
B16	Oil outlet one-way valve	1	B58	Air inlet valve body	1
B17	Oil-stop spring Ø4x17	1	B59	Air inlet switch	1
B18	High pressure oil connecting body	1	B60	Air inlet switch O-ring Ø7.6x1.7	1
B19	High pressure nozzle O-ring	2	B61	Air inlet switch seal washer Ø11x1	1
B20	Oil drain valve	1	B62	Air inlet seal washer cap	1
B21	Oil drain valve spool	1	B63	Air inlet spring Ø9.5x43	1
B22	Oil drain valve spring Ø3x12.5	1	B64	Pin Ø9.5x95	1
B23	Oil drain one-way valve	1	B65	Foot pedal	1
B24	Oil drain ball holder	1	B66	Limit pressure plate	1
B25	Oil drain thimble Ø1.5x15	1	B67	Reservoir seal washer	1
B26	Oil drain valve O-ring	1	B68	Reservoir	1
B27	Copper washer Ø6	1	B69	Air inlet connector	1
B28	Air cylinder seal ring Ø76x69	2	B70	Snap ring Ø8	2
B29	Cylinder bore	1	B71	Plain washer Ø5	2
B30	Plunger return spring Ø36x115	1	B72	Bolt M5x8	2
B31	Plunger stop plate Ø42x6	1	B73	Breathing valve	1
B32	Plunger	1	B74	O-ring Ø15.5x2.2	1
B33	Plunger anti-hiting washer	1	B75	Breathing cap M16x1.5	6
B34	Big piston	1	B76	Seal Ø14x7X1.8	6
B35	Big piston O-ring Ø50x2.3	2	B77	Plain washer Ø5	1
B36	Piston ring Ø70x64x3	2	B78	Nylon washer	1
B37	Small piston	1	B79	Oil return filter Ø14x1	1
B38	Small piston O-ring Ø17x2.5	1	B80	Snap ring	1
B39	Small piston return spring	1	B81	Air inlet filter Ø6x11	1
B40	Big piston seal washer	1	B82	Snap ring	1
B41	Big piston cover	1	B83	Plain washer Ø6	1
B42	Small piston seal washer	1	B84	Bolt M6X10	2