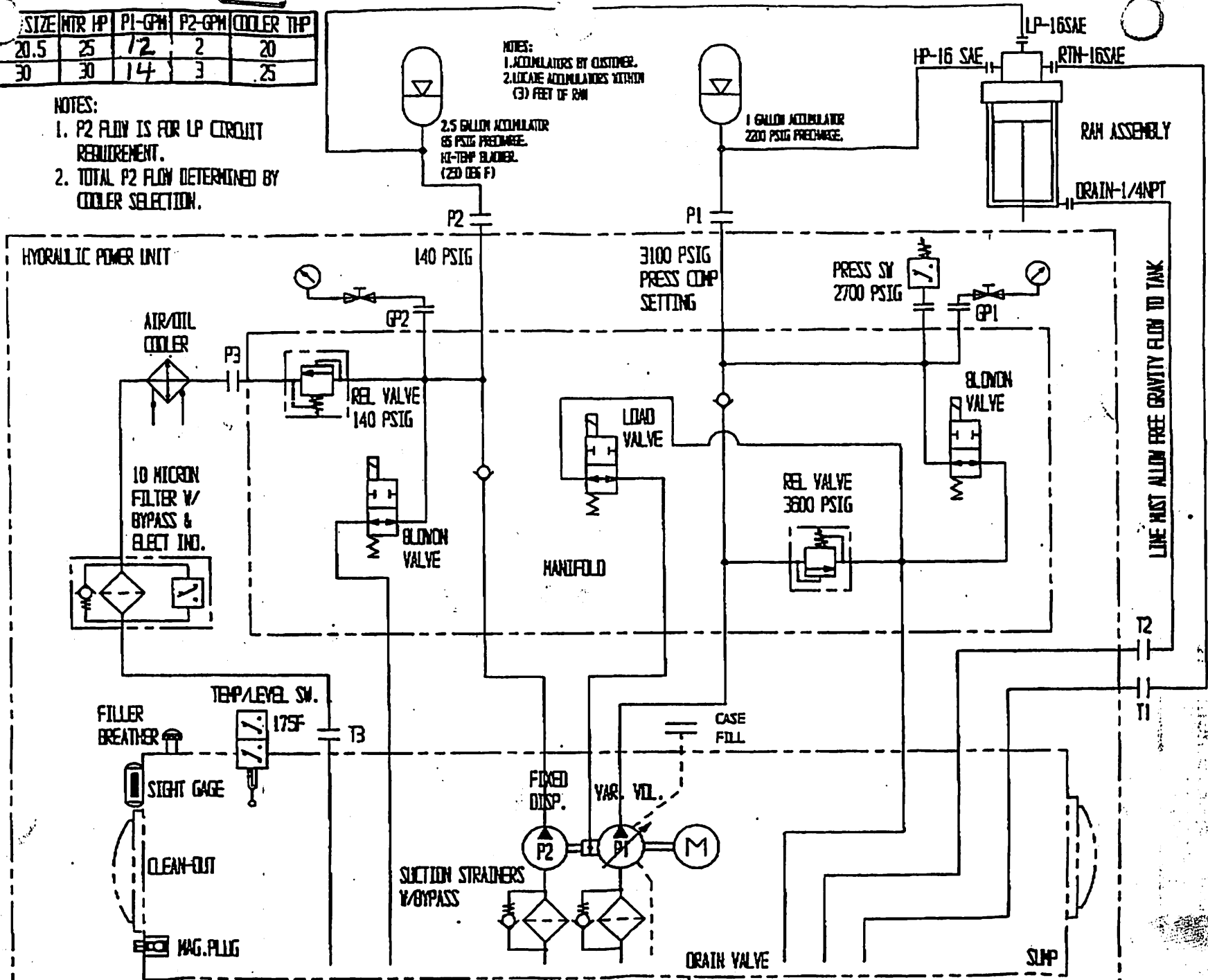


1250 H30 H1/8H/LO SYSTEM

SIZE	MTR HP	P1-GPM	P2-GPM	COOLER THP
20.5	25	12	2	20
30	30	14	3	25

- NOTES:
1. P2 FLOW IS FOR LP CIRCUIT REQUIREMENT.
 2. TOTAL P2 FLOW DETERMINED BY COOLER SELECTION.

- NOTES:
1. ACCUMULATORS BY CUSTOMER.
 2. LOCATE ACCUMULATORS WITHIN (3) FEET OF RHM



INDUSTRIAL CLUTCH CORPORATION S-3993

20.5 & 30MT H1/8H/LO HPU SCHEMATIC PRELIMINARY 4/3/95