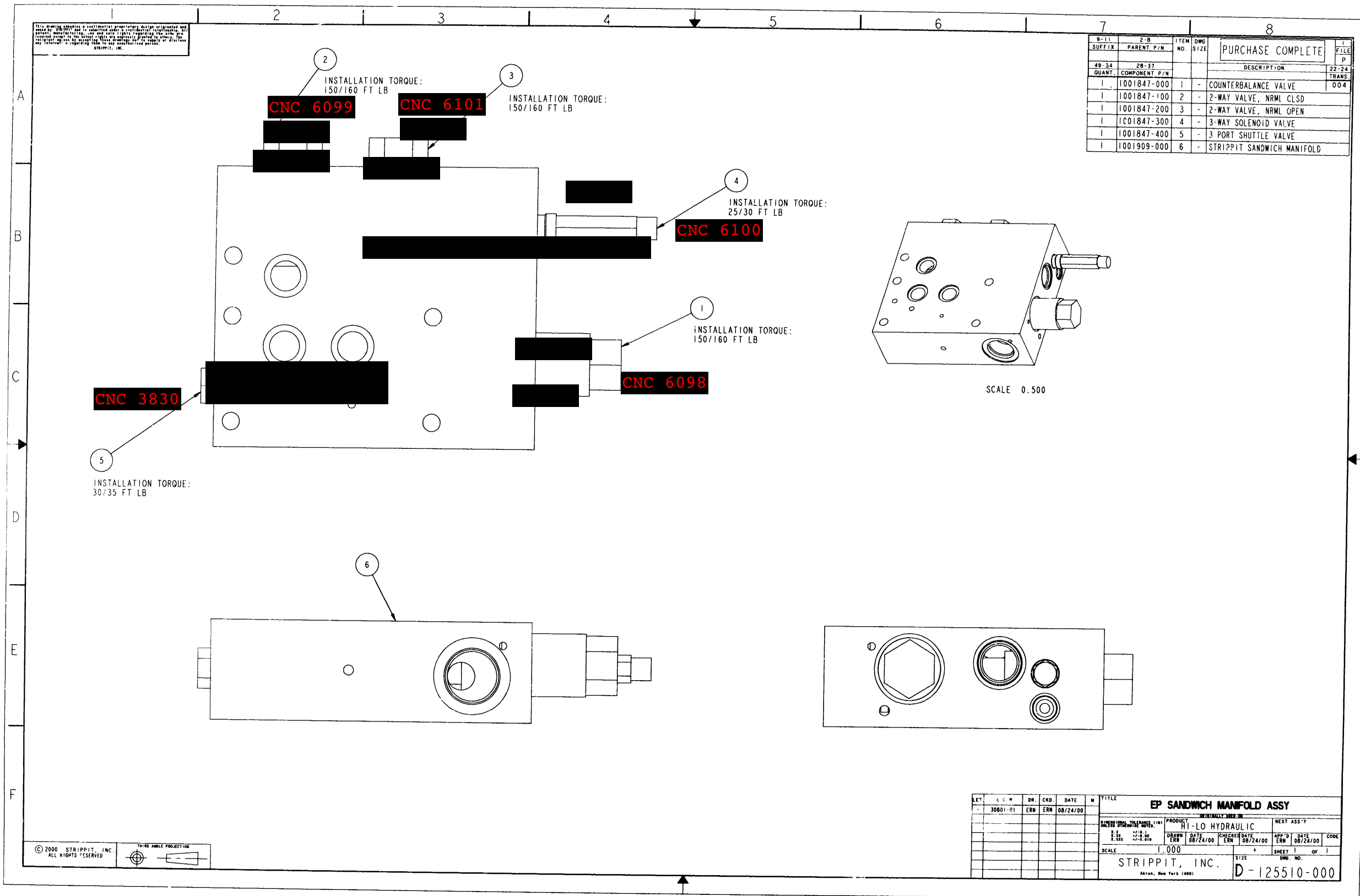
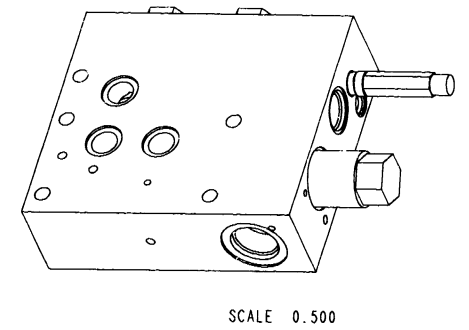


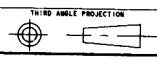
This drawing contains a confidential proprietary design originated and developed by STRIPPIT, INC. for its customers. It is intended for use in the manufacture of the product described herein. It is not to be used for any other purpose without the written consent of STRIPPIT, INC. All rights reserved.



| 9-11   | 2-B           | ITEM | DWG  | PURCHASE COMPLETE          |       | I |
|--------|---------------|------|------|----------------------------|-------|---|
| SUFFIX | PARENT P/N    | NO.  | SIZE | FILE                       | P     |   |
| 49-54  | 28-37         |      |      |                            | 22-24 |   |
| QUANT. | COMPONENT P/N |      |      | DESCRIPTION                | TRANS |   |
| 1      | 1001847-000   | 1    | -    | COUNTERBALANCE VALVE       | 004   |   |
| 1      | 1001847-100   | 2    | -    | 2-WAY VALVE, NRML CLSD     |       |   |
| 1      | 1001847-200   | 3    | -    | 2-WAY VALVE, NRML OPEN     |       |   |
| 1      | 1001847-300   | 4    | -    | 3-WAY SOLENOID VALVE       |       |   |
| 1      | 1001847-400   | 5    | -    | 3 PORT SHUTTLE VALVE       |       |   |
| 1      | 1001909-000   | 6    | -    | STRIPPIT SANDWICH MANIFOLD |       |   |



© 2000 STRIPPIT, INC. ALL RIGHTS RESERVED



| LET | CLM      | DR. | CHKD. | DATE     | M | TITLE                     |
|-----|----------|-----|-------|----------|---|---------------------------|
| -   | 30801-01 | ERN | ERN   | 08/24/00 |   | EP SANDWICH MANIFOLD ASSY |

| SALES OFFICE (UNITED STATES) |     | PRODUCT         |          | NEXT ASS'T |      |
|------------------------------|-----|-----------------|----------|------------|------|
| DATE                         | BY  | HI-LO HYDRAULIC | DATE     | DATE       | CODE |
| 08/24/00                     | ERN | 08/24/00        | 08/24/00 | 08/24/00   |      |

| SCALE | SIZE | SHEET | OF |
|-------|------|-------|----|
| 1.000 |      | 1     | 1  |

| STRIPPIT, INC.         |  | SIZE | DWG. NO.     |
|------------------------|--|------|--------------|
| Albany, New York 12201 |  |      | D-125510-000 |