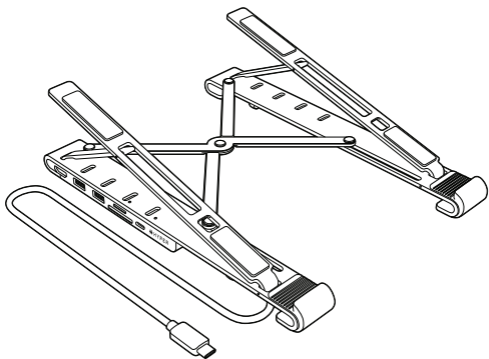




HyperDrive[®]

**7-IN-1 USB-C HUB
+ LAPTOP STAND**



QUICKSTART GUIDE

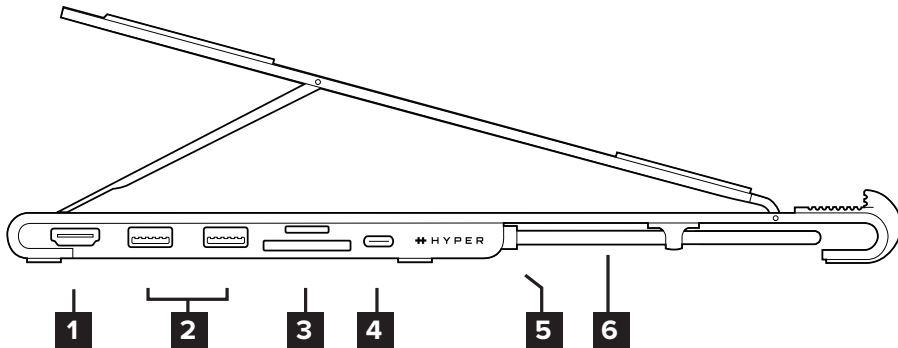
Features

Upstream Port

- 6 USB-C 3.2 Gen 1 (5Gbps)

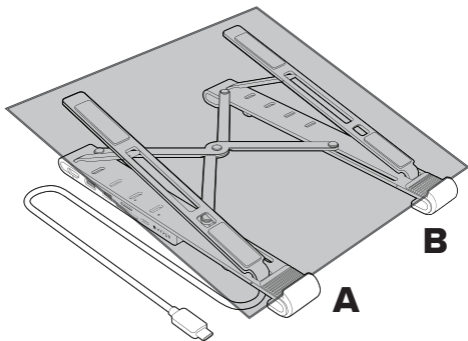
Downstream Port

- 1 HDMI 4K/30Hz
- 2 USB-A 3.2 Gen 1 (5Gbps) x 2
- 3 SD and Micro-SD Card Reader (UHS-I 104MB/s)
- 4 USB-C 3.2 Gen 1 (5Gbps)
- 5 USB-C PD Charging (100W)



Introduction

This is a 7-in-1 multi-functional stand hub which allows you to put your notebook/laptop on the top of it and extends the Type-C port of your notebook to be HDMI, 2 x USB-A, Type-C data, SD/MicroSD card and PD Charging. It has 5 angles for flexibly adjustment from 15° to 36° based on your personal preferences and can be folded and unfolded. In addition, it has cable storage clips on the bottom for maximum portability.

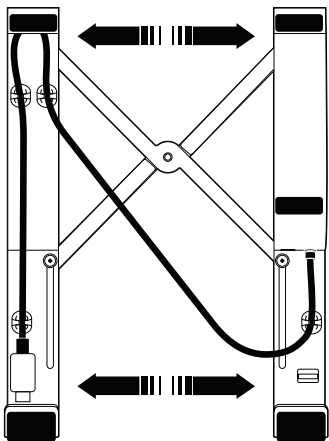


Bottom Bracket

When placing your laptop on the 7-in-1 multifunctional stand hub, place the front edge of your laptop against the black rubber bottom brackets (A, B).

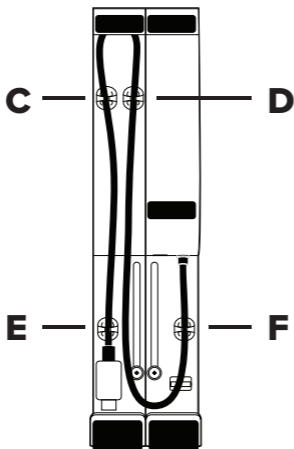
Open Position

To expand your 7-in-1 multi-functional stand hub to its open position, simply grab each side and pull apart as seen here.



Closed Position

Your 7-in-1 multi-functional stand hub is made with space-saving in mind. When you take the device out of the package it is in the closed position as you see here from underneath.

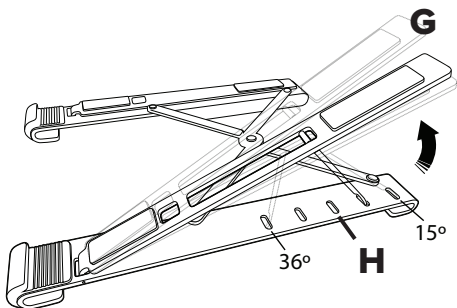


Cable Storage Clips

For added convenience, we have provided you with four cable storage clips (C,D,E,F) on the bottom to help keep your primary USB-C cable neatly stored away when not in use.

Adjust Platform Angle

The 7-in-1 multi-functional stand hub is designed to allow the user the option to adjust the platform your laptop is resting on for optimum user comfort.



Simply raise the platform arms (**G**) and fully seat the arm supports into the slots (**H**) in the platform base. The slots will adjust the angle of the platform from 15 degrees to 36 degrees. For maximum stability make sure that both platform arms are using the same support slots.

Regulatory Compliance

FCC Conditions

This equipment has been tested and found to comply with Part 15 Class B of the FCC Rules. Operation is subject to the following two conditions: (1) This device may not cause harmful interference. (2) This device must accept any interference received and include interference that may cause undesired operation.

CE

This equipment is in compliance with the requirements of the following regulations: EN 55 022: CLASS B

WEEE Information

For EU (European Union) member users: According to the WEEE (Waste electrical and electronic equipment) Directive, do not dispose of this product as household waste or commercial waste. Waste electrical and electronic equipment should be appropriately collected and recycled as required by practices established for your country. For information on recycling of this product, please contact your local authorities, your household waste disposal service or the shop where you purchased the product.



© 2021 HYPER by Sanho Corp.
All rights reserved.

05212023 21044