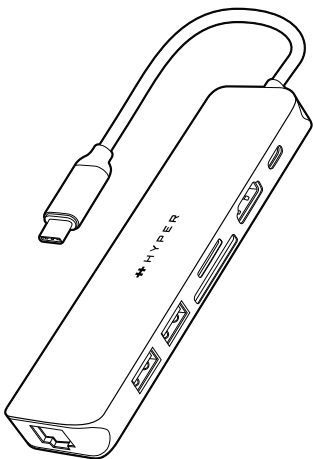




# **HYPERDRIVE® NEXT** **7 Port USB-C® Hub**



**USER GUIDE**

# Table of Contents

<b>Safety Instructions</b>	<b>1</b>
<b>Copyright</b>	<b>1</b>
<b>Trademarks</b>	<b>1</b>
<b>Regulatory Compliance</b>	<b>2</b>
FCC Conditions	2
CE	2
WEEE Information	2
<b>Introduction</b>	<b>3</b>
<b>Package Contents</b>	<b>3</b>
<b>Requirements</b>	<b>3</b>
<b>Product Compatibility</b>	<b>3</b>
<b>Operating System</b>	<b>3</b>
<b>Product Overview</b>	<b>4</b>
<b>Specifications</b>	<b>5</b>
<b>Warranty</b>	<b>6</b>
<b>Safety Warnings</b>	<b>8</b>
<b>Compatibility</b>	<b>8</b>
<b>Technical Support</b>	<b>9</b>

Before attempting to connect, operate or adjust this product, please save and read the User Guide completely. The style of the product shown in this User Guide may be different from the actual unit due to various models.

## Copyright

This document contains proprietary information protected by copyright. All rights are reserved. No part of this guide may be reproduced by any mechanical, electronic or other means, in any form, without prior written permission of the manufacturer.

## Trademarks

Hyper, the ++Hyper logo, and HyperDrive are trademarks or registered trademarks of Targus International LLC in the U.S. and in certain other countries. USB-C is a registered trademark of USB Implementers. MacBook is a trademark of Apple Inc., registered in the U.S. and other countries. All trademarks and registered trademarks are the property of their respective owners or companies.

© 2023 Targus International LLC, 1211 North Miller Street, Anaheim, CA 92806 USA. All rights reserved.

# Regulatory Compliance

## FCC Conditions

This equipment has been tested and found to comply with Part 15 Class B of the FCC Rules. Operation is subject to the following two conditions: (1) This device may not cause harmful interference. (2) This device must accept any interference received and include interference that may cause undesired operation.

## CE

This equipment is in compliance with the requirements of the following regulations: EN 55032/EN 55024: CLASS B

## WEEE Information

For EU (European Union) member users: According to the WEEE (Waste electrical and electronic equipment) Directive, do not dispose of this product as household waste or commercial waste. Waste electrical and electronic equipment should be appropriately collected and recycled as required by practices established for your country. For information on recycling of this product, please contact your local authorities, your household waste disposal service or the shop where you purchased the product.



# Introduction

The HyperDrive Next 7 Port USB-C Hub with multiport function connects your USB-C laptop to up to 7 devices, including HDMI display, 4K60Hz monitors, standard SD/ Micro SD card, and RJ45 Gigabit Ethernet cable, and delivers USB-C PD to your laptop. The USB-C PD port can connect to a 100W PD 3.0 adapter to provide PD passthrough charging to your computer. This hub is also part of our eco-smart system; using recyclable materials to protect the environment.

## Package Contents

- HyperDrive Next 7 Port USB-C Hub
- User Guide

## Requirements

- The Gen2 hub supports multiple devices.
- The host device's USB-C port must support Power Delivery, DisplayPort Alt Mode and USB-C 3.2 Gen 1 or 2 Data.
- The Gen2 hub devices are supported on Windows, Chrome OS and macOS.
- The Gen2 hub devices are supported without extra-driver installation.

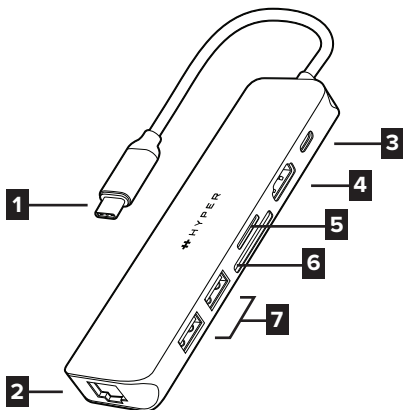
## Product Compatibility

- Windows® PC, Mac®, iPad®, Chromebook™ Android™ Devices
- USB-C Devices that support DP Alt Mode, Data, and Power Delivery

## Operating System

- Windows 7 and above, Chrome OS, macOS 10.12 and above

# Product Overview



Item	Description
1. USB-C Host Port	Connects to a host computer
2. RJ45 Port	Connects to a standard RJ45 Gigabit Ethernet cable
3. USB-C PD Port	Connect to a Max 100W USB-C PD Power Adapter
4. HDMI Port	Connects to a HDMI device
5. MicroSD Card Slot	Connects to a MicroSD card
6. SD Card Slot	Connects to a standard SD card
7. USB-A Port x 2	Connects to a USB-A device

# Specifications

Interface:	USB-C (Host)	USB 3.2 Gen2 10Gbps, PD 3.0 Passthrough  Support 5V/9V/12V/15V/20V, max 85W
	USB-C (Device)	Connect PD adapter, USB PD 3.0 Passthrough  Support 5V/9V/12V/15V/20V max charging power 100W
	USB-A (Device) x2	USB 3.2 Gen2 10Gbps
	HDMI (Device)	HDMI 2.0 Support 4K60Hz display
	SD Card Slot (Device)	Support standard SD card 4.0 312MB/s
	MicroSD Card Slot (Device)	Support standard MicroSD card 4.0 312MB/s
	RJ45 (Device)	Support standard RJ45 Gigabit Ethernet cable
Dimension & Weight	Length	135mm / 5.31inch
	Width	37mm / 1.46inch
	Height	15mm / 0.59inch
	Weight	77g / 0.17lb

## **2 YEAR LIMITED WARRANTY**

We pride ourselves on the quality of our products. For complete warranty details and a list of our Worldwide offices, please visit [www.HyperShop.Com](http://www.HyperShop.Com). Hyper product warranty does not cover any device or product that is not manufactured by Hyper (including, but not limited to, laptops, smartphones, devices, or any other product that may be used in connection with the Hyper product). ©2023 Hyper Products Inc 46721 Fremont Blvd, Fremont, CA 94538. All rights reserved.

## **GARANTIE LIMITÉE DE 2 ANS**

Nous sommes fiers de la qualité de nos produits. Pour plus de renseignements sur la garantie complète et une liste de nos bureaux à travers le monde, veuillez consulter [www.HyperShop.com](http://www.HyperShop.com). La garantie des produits Hyper ne couvre pas les appareils ou produits qui ne sont pas fabriqués par Hyper (y compris, mais sans s'y limiter, les ordinateurs portables, les smartphones, les appareils ou tout autre produit pouvant être utilisé en relation avec le produit Hyper). ©2023 Hyper Products Inc 46721 Fremont Blvd, Fremont, CA 94538. Tous droits réservés.

## **GARANTÍA LIMITADA DE 2 AÑOS**

Nos enorgullecemos de la calidad de nuestros productos. Consulte toda la información sobre la garantía y la lista de nuestras oficinas en todo el mundo en [www.HyperShop.com](http://www.HyperShop.com). La garantía del producto Hyper no cubre ningún dispositivo o producto que no esté fabricado por Hyper (incluidos, entre otros, laptops, smartphones, dispositivos o cualquier otro producto que pueda utilizarse en relación con el producto de Hyper). ©2023 Hyper Products Inc 46721 Fremont Blvd, Fremont, CA 94538. Reservados todos los derechos.



## **AUSTRALIAN AND NEW ZEALAND CONSUMERS ONLY**

Thank you for your purchase. Hyper warrants to the original purchaser that its products are free from defects in materials and workmanship and, during the specified warranty period, and lasts as long as the original purchaser owns the product. The warranty period is stated on the packaging or in the documentation provided with this Hyper product. Hyper's Limited Product Warranty excludes damage caused by accident, neglect, abuse, misuse, improper care, normal wear and tear, ownership transfer, or alteration. The limited warranty also excludes any product that is not manufactured by Hyper (including, without limitation, laptops, smartphones, devices, tablets, or any other non-Hyper item) that is used in connection with the Hyper product. In the event that the Hyper product has a defect in materials or workmanship Hyper will, after receiving a warranty claim and inspecting the product, at its discretion, do one of the following: repair, replace, or refund with the same or a similar product (or part) of no lesser quality and ship it to the original purchaser at Hyper's expense. As part of this inspection, proof of purchase will be required. There is no charge for inspection. To make a warranty claim, please contact Hyper Australia or New Zealand (see details below), or return the product to the place of purchase. The original purchaser must bear the cost of the delivery to Hyper. Under Australian and/ or New Zealand Consumer Laws, in addition to any warranty Hyper gives, our products come with guarantees that cannot be excluded. You are entitled to a replacement or refund for a major failure and compensation for any other reasonably foreseeable loss or damage. You are entitled to have the products repaired or replaced if they fail to be of acceptable quality and the failure does not amount to a major failure.

For any warranty question, contact Targus Australia Pty. Ltd. (i) by mail at Suite 2, Level 8, 5 Rider Boulevard, Rhodes NSW 2138, by phone AUS 1800 641 645 or NZ 0800 633 222 or by Email: [infoaust@targus.com](mailto:infoaust@targus.com). For additional information, check out our website at [targus.com/au/warranty](http://targus.com/au/warranty).

# Safety Warnings

- Do not expose to moisture or submerge in liquid.
- Store in a cool, dry place. Recommended storage temperature: -40°C/-40°F to 70°C/158°F; Operating temperature: 0°C/32°F to 35°C/95°F.
- Do not disassemble or attempt to re-purpose or modify the product in any manner.
- Stop using and contact manufacturer if the product is excessively hot, emitting odor, deformed or if you witness any other abnormalities.
- Avoid strenuous vibration, impact, extrusion on transportation, and keep the product away from intense sunlight and rain.
- Please dispose of discarded products properly according to local regulations.
- Do not clean with harmful chemicals or detergents
- Keep away from children under 3 years old for safety
- Be cautious of drops, bumps, abrasions, or impact.

# Compatibility

For the full list of compatible devices visit [HyperShop.com](http://HyperShop.com) or call the technical support number below.

# Technical Support

**For technical questions, please visit:**

Hyper Customer Support Email:

[support@hypershops.com](mailto:support@hypershops.com)

US Internet:

<http://targus.com/us/support>

Canada Internet:

<http://www.targus.com/ca/support>

Australia Internet:

<http://www.targus.com/au/support>

Email:

[infoaust@targus.com](mailto:infoaust@targus.com)

Telephone:

1-800-641-645

New Zealand Telephone:

0800-633-222

Latin America Email:

[latam.soporte@targus.com](mailto:latam.soporte@targus.com)

© 2023 HYPER PRODUCTS INC  
All rights reserved.