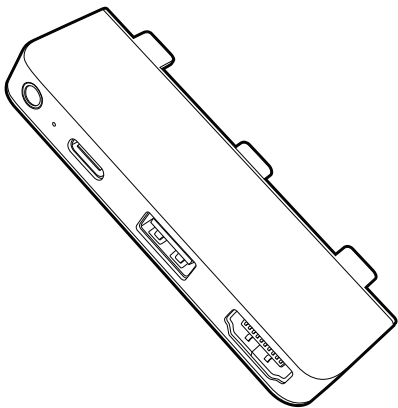




HYPERDRIVE®
4-in-1 USB-C® Hub



USER GUIDE

Regulatory Compliance

FCC Conditions

This device complies with part 15 of the FCC Rules. Operation is subject to the following two conditions: (1) This device may not cause harmful interference, and (2) this device must accept any interference received, including interference that may cause undesired operation.

Caution: Any changes or modifications to this unit not expressly approved by the party responsible for compliance could void the user's authority to operate the equipment.

Note: This equipment has been tested and found to comply with the limits for a Class B digital device, pursuant to part 15 of the FCC Rules. These limits are designed to provide reasonable protection against harmful interference in a residential installation. This equipment generates, uses and can radiate radio frequency energy and, if not installed and used in accordance with the instructions, may cause harmful interference to radio communications. However, there is no guarantee that interference will not occur in a particular installation. If this equipment does cause harmful interference to radio or television reception, which can be determined by turning the equipment off and on, the user is encouraged to try to correct the interference by one or more of the following measures:

- Reorient or relocate the receiving antenna.
- Increase the separation between the equipment and receiver.
- Connect the equipment into an outlet on a circuit different from that to which the receiver is connected.
- Consult the dealer or an experienced radio/TV technician for help.

Copyright

This document contains proprietary information protected by copyright. All rights are reserved. No part of this guide may be reproduced by any mechanical, electronic or other means, in any form, without prior written permission of the manufacturer.

Trademarks

Hyper, the ++Hyper logo, and HyperDrive are trademarks or registered trademarks of Targus International LLC in the U.S. and in certain other countries. The terms HDMI and HDMI High-Definition Multimedia Interface are trademarks or registered trademarks of HDMI Licensing Administrator, Inc. USB-C is a registered trademark of USB Implementers. MacBook is a trademark of Apple Inc., registered in the U.S. and other countries. All trademarks and registered trademarks are the property of their respective owners or companies.

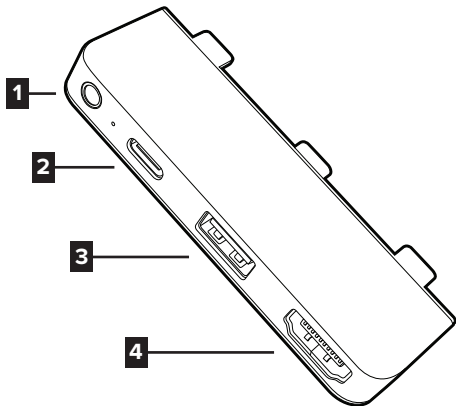
Package Contents

- 4-in-1 USB-C Hub
- User Guide

Installation Instructions:

- Insert the hub's USB-C connector into the USB-C port on the iPad
- Once installed, the LED indicator will light up indicating the hub is operational.

Product Overview



Item	
1. 3.5mm Audio Jack	3. USB-A
2. USB-C PD	4. HDMI

Specifications

Interface	HDMI	Max 4K30Hz
	USB-A	5Gbps
	Audio Jack	3.5mm
	USB-C PD	Max 60W PD Passthrough charging to host
Power	Power Mode	Self-Powered
Dimensions	Length	82mm / 3.23inch
	Width	25.6mm / 1.01inch
	Height	9.5mm / 0.37inch
Weight	37g / 0.08lb	

Compatibility

For the full list of compatible devices visit [HyperShop.com](https://www.hypershops.com) or call the technical support number below.

Technical Support

For technical questions, please visit:

Hyper Customer Support Email: support@hypershops.com

2 YEAR LIMITED WARRANTY

We pride ourselves on the quality of our products. For complete warranty details and a list of our Worldwide offices, please visit [www.HyperShop.com](https://www.hypershops.com). Hyper product warranty does not cover any device or product that is not manufactured by Hyper (including, but not limited to, laptops, smartphones, devices, or any other product that may be used in connection with the Hyper product).

©2023 Hyper Products Inc. 46721 Fremont Blvd, Fremont, CA 94538.
All rights reserved.

© 2023 HYPER PRODUCTS INC
All rights reserved.