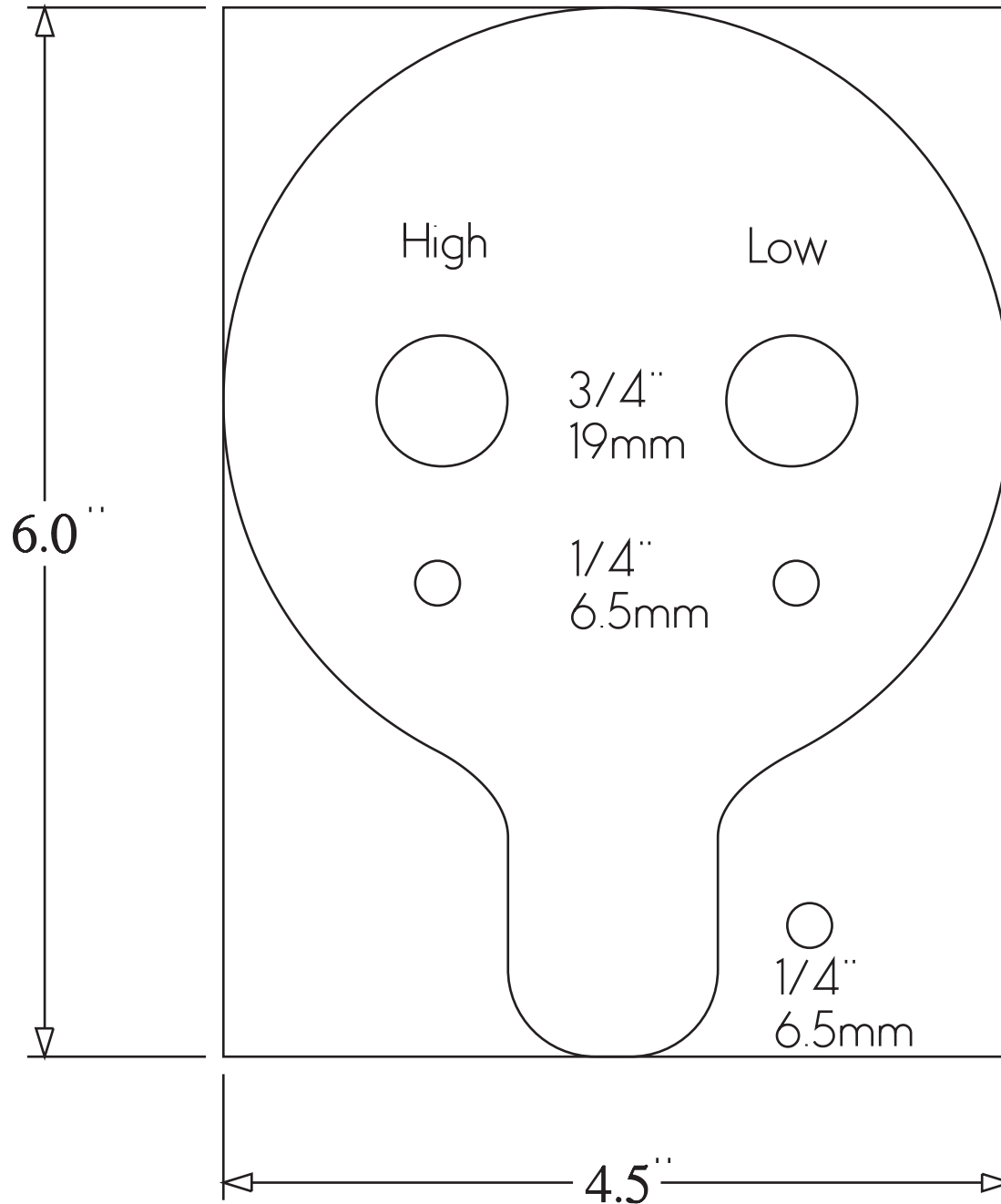


BARREL TENDER V2 TEMPLATE



If printing yourself, make sure printer is not scaling.

Check the length and width dimensions before drilling.