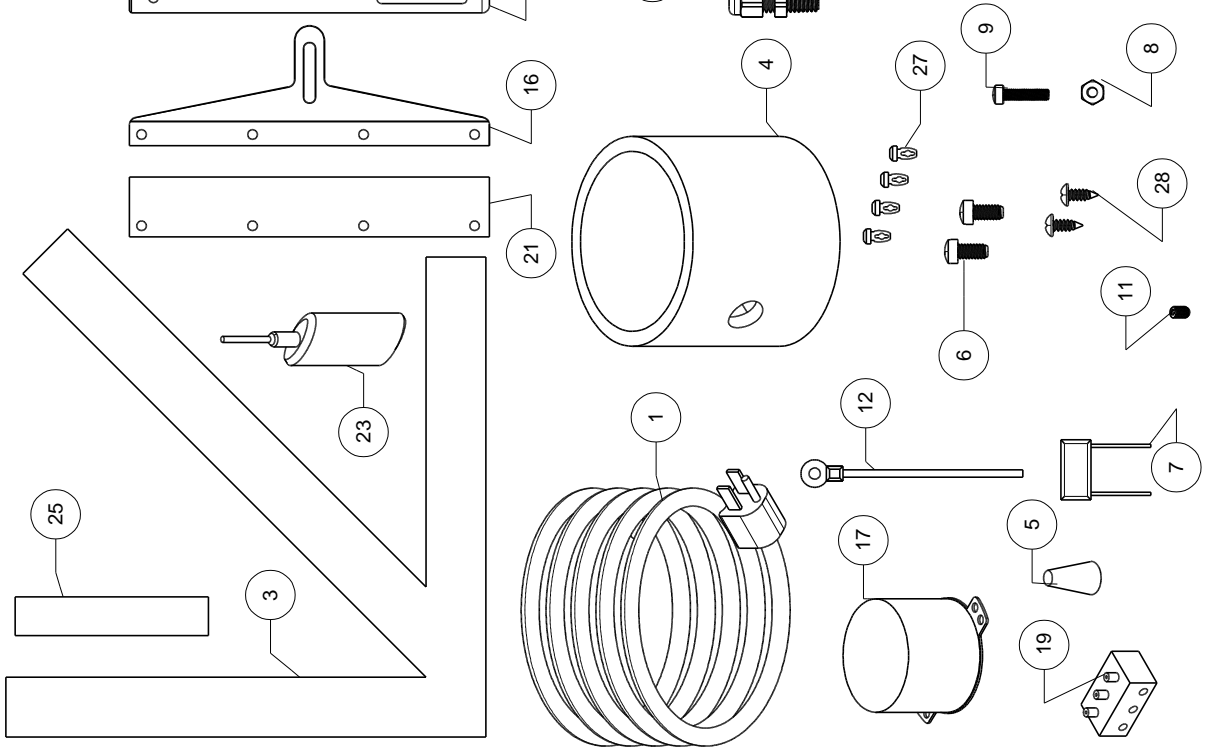


AVAST MARINE WORKS

You Built Swabbie

Item #	Quantity	Part Name
1	1	Grounded Power Cord
2	1	Zip Tie
3	1	Center Finder Jig
4	1	Mouter Housing
5	1	Wire Nut
6	2	1/4-20 Screws
7	1	Capacitor
8	1	10-32 Nut Stainless
9	1	10-32 Screw Stainless
10	1	Shaft Seal
11	1	10-32 Set Screw
12	1	Ground Terminal
13	2	#10 Tapping Screws
14	1	Housing Base
15	1	Wiper Shaft
16	1	Wiper
17	1	Motor
18	1	Allen Wrench
19	1	Terminal Block
20	1	Motor Housing Lid
21	1	Silicone Wiper
22	1	Liquid Tight Cord Grip
23	1	Glue
25	1	Energy Cloth
26	1	U Shaped Spacer
27	4	Plastic Rivet



Material Properties

Notes

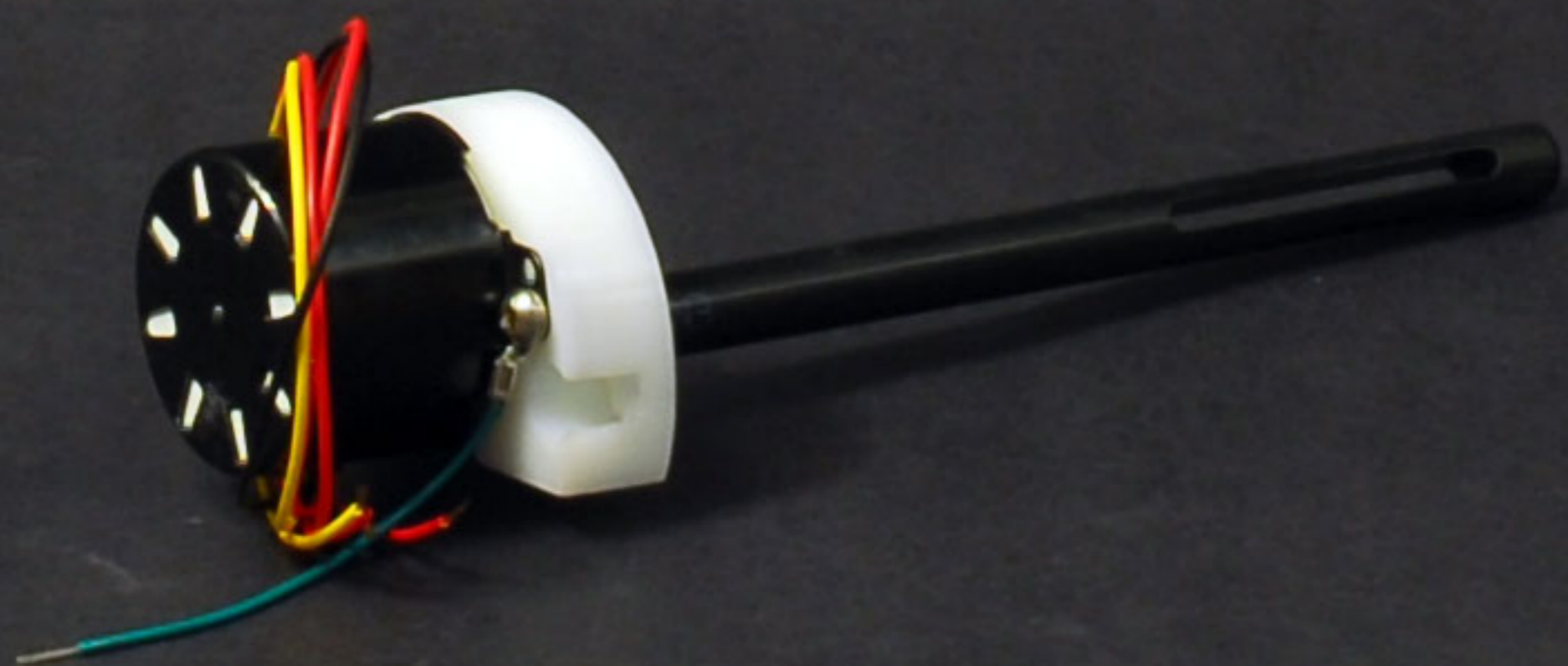
Parts #16 and #17 depend on wiper size.
Part #27 qty varies by wiper size.

Drawn by: Dan Lichens	4/1/2014	REV 3.2
SCALE 1:3	SIZE A	

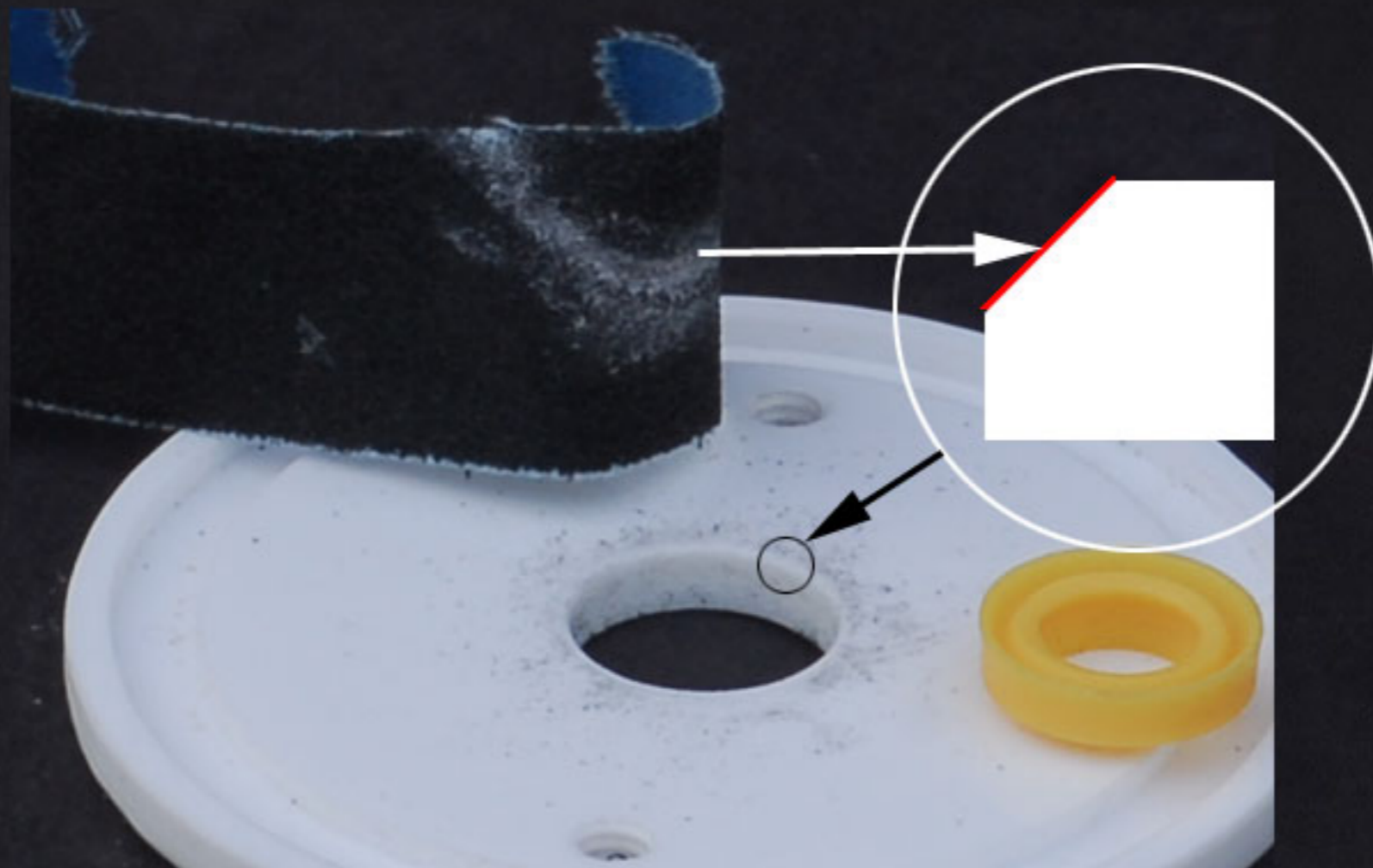




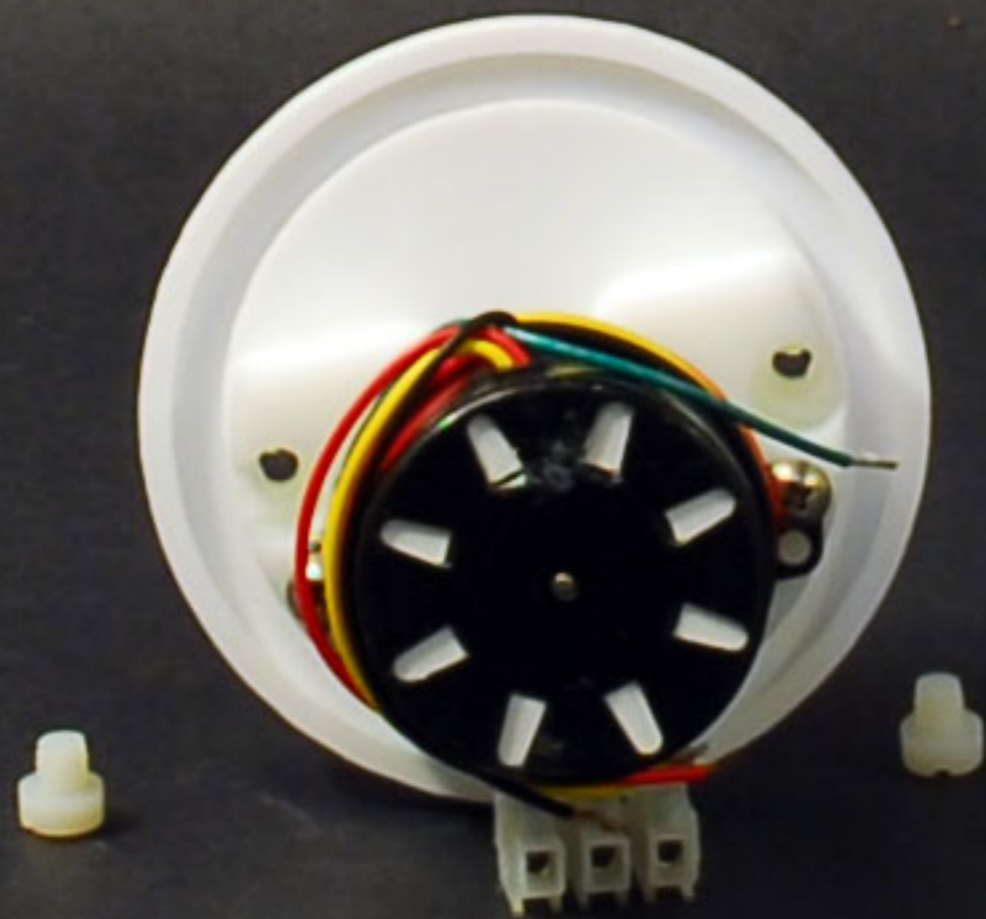






















Some power cords have black, white, and green wires. Cord black (or brown) goes to the motor's double red. Cord white (or blue) goes to the motor's yellow.









