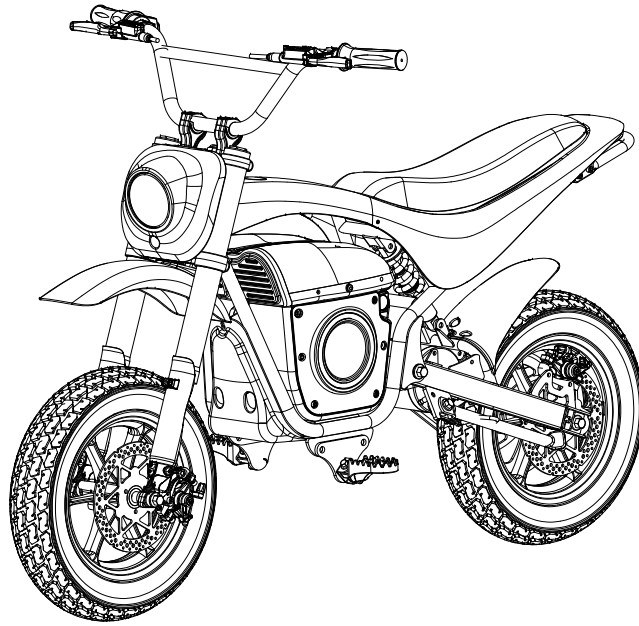


BURROMAXTM

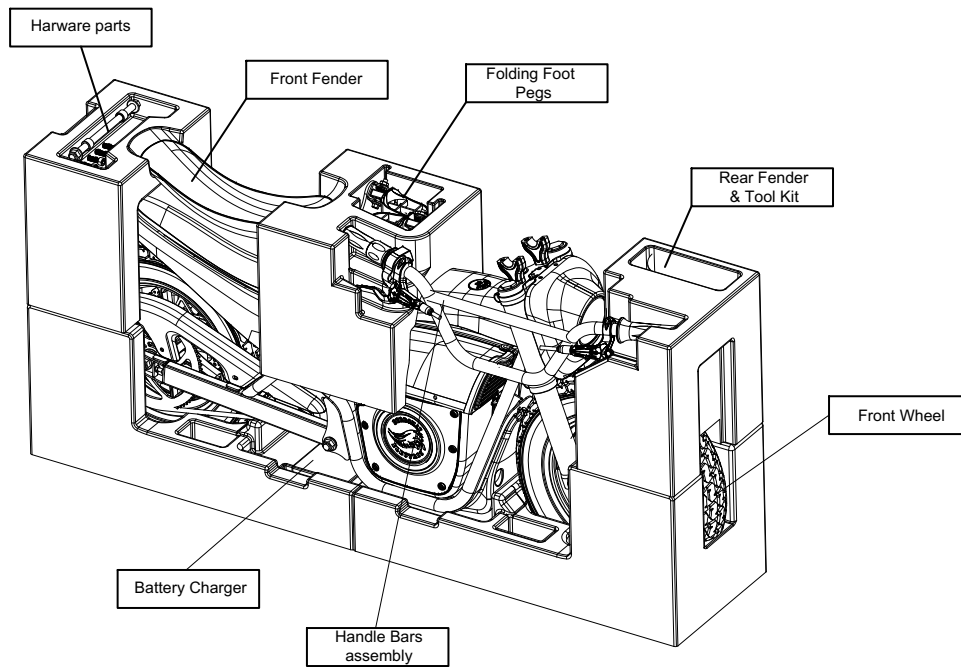
OWNERS MANUAL TT1600R Mini Bike



Assembly Video Features and Operation



SCAN ME



Carton Contents

Located within top of the packing foam you will find the Front Fender, Rear Fender, Right and Left Footrest assemblies, Handlebar Clamps, all hardware and Tool Kit. The Front wheel and charger are located at the bottom of the packaging.

OPEN THE TOP OF THE SHIPPING BOX and Remove the contents from the top of the foam inserts. Inspect and confirm that you have all parts and Hardware. Remove the foam separators that protect the components from damage during shipping. Remove the Front wheel and brake rotor. Inspect the contents of the box for scratches in the paint, dents or kinked Brake lines that may have occurred during shipping. Because these vehicles are 90 percent assembled and packed at the factory, there should not be any problems, even if the box has a few scars or dents.

Allow up to 30 Min for assembly.

Check for all parts and hardware before beginning assembly. Follow these instructions carefully, Checking all bolts, Nuts and screws for tightness during the assembly process. **DO NOT Squeeze the brake levers until the brakes have been fully assembled**

Set the bike on a stable platform at least 18" off the ground.

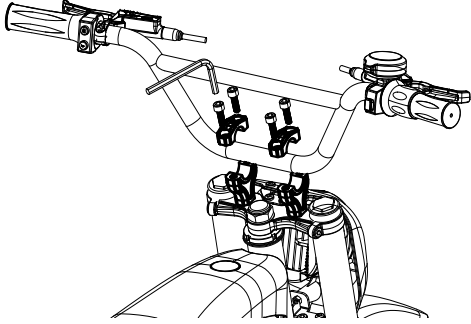
Position the front fork so that it hangs off one end of the platform to facilitate front wheel and brake assembly installation.

Enjoy the process and take your time to ensure all components are secure. *Checking all bolts, nuts and screws for tightness during the assembly process.*

Attaching the Handlebars and Wiring

Tools required: 6mm, 5mm, 3mm, 2.5mm Allen wrench

Place the handlebars in the Lower handlebar clamps on top of the Front fork. Make sure brake lines are not twisted or kinked and wires are free from the clamps. Loosely Install 2 top handlebar Clamps and (4) 8mm allen Bolts.



Center handlebar in clamps and position straight up or slightly forward to fit rider height. Tighten the bolts using a 6mm Allen wrench. When properly tightened the handlebars should not move forward or back.

Attach the wires

The wires have color coded ends and will only fit to the same color connector. Put the wire ends together and rotate slowly until you feel the connectors align with each other. Then gently push together till you feel the connectors snap into place. Do this with all wire connections

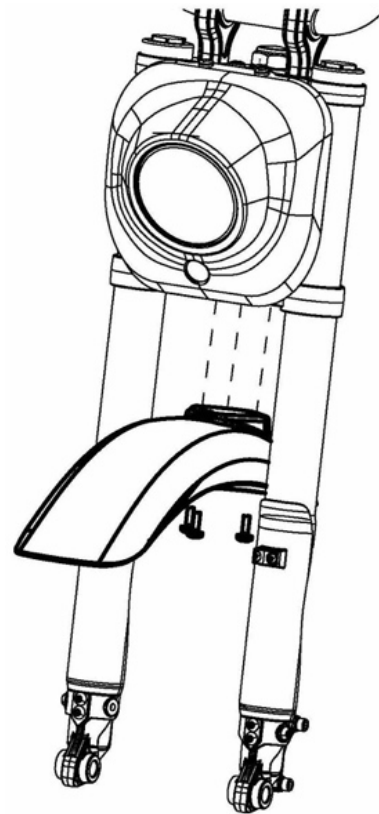
Brake levers and throttle

DO NOT Squeeze the brake levers until the Front Brake has been fully assembled to the bike.

Rotate the Brake levers into a good riding position and tighten the clamp bolts using a 5mm allen wrench. Rotate the throttle to a good operating position and tighten using a 3mm allen wrench. Rotate the Headlight and horn switch to a comfortable position and tighten using a 2.5mm allen wrench. Turn the front fork from side to side making sure that the wires and brake lines are free from binding and clear of the fork stop located behind the headlight.

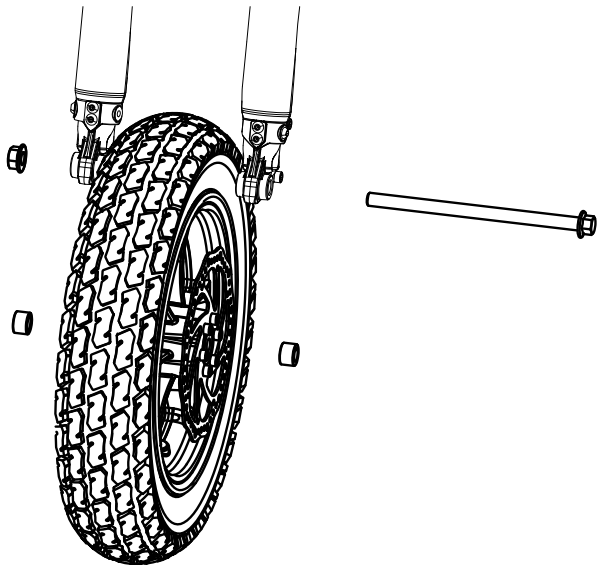
Installing the Front Fender

Using (3) 6mm allen bolts, attach the front fender to the bottom of the lower fork clamp above the front wheel and tighten securely with a 5mm allen wrench. Remember the fender is plastic so do not over tighten bolts.



Installing the Front Wheel

Install the front axle into the left fork leg far enough to install the first wheel spacer. Hold the front wheel up with the Brake rotor to the brake caliper side of the front fork and insert the axle into the wheel. Twist the axle back and forth to slide it through the bearings and spacer in the wheel. Install the 2nd wheel spacer between the fork and wheel on the opposite side. You may have to spread the forks slightly to get the spacer in between the axle and fork. Slide the axle all the way through the forks and install the axle nut. Tighten Securely. Make sure the front wheel spins freely after you have tightened the axle nut.



Installing the Front Brake Caliper

DO NOT Squeeze the brake levers until the brake has been fully assembled to the front fork and brake rotor.

Remove the caliper mounting screws from the brake caliper or caliper mount Bracket on the front fork. Remove the plastic spacer located in between the caliper brake pads. Install the caliper over the Brake Rotor, align the mounting holes and install the mounting bolts (Fig 1) hand tight. Before tightening the mounting bolts Loosen the caliper adjusting bolts (Fig 2) 1/2 turn so that the caliper is loose on the mounting bracket. Once the caliper adjusting screws are loose, you can now tighten the caliper mounting bolts.

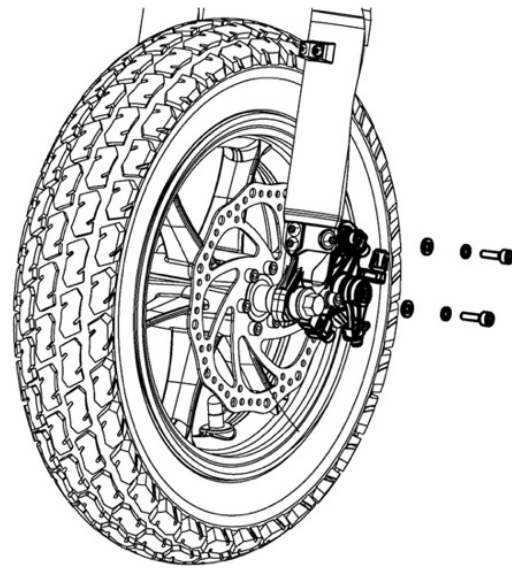


Fig 1

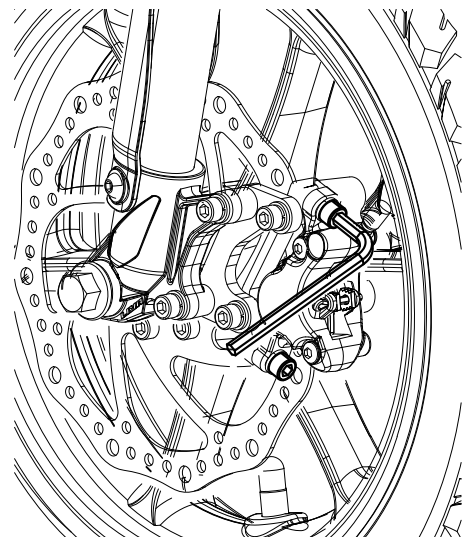


Fig 2

Adjusting the Brake Caliper

After you have tightened the brake mounting bolts, squeeze the brake lever a couple times to set the position of the caliper. Squeeze the brake lever one more time and hold pressure on the lever while tightening the caliper adjusting bolts (Fig 2). This will align the caliper and brake pads. The rotor should be running parallel and central to the caliper body. When depressed the brake lever should be approximately 1 inch or more off the hand grip and have a firm feel. The front wheel should roll freely without dragging on the brake when this operation is complete

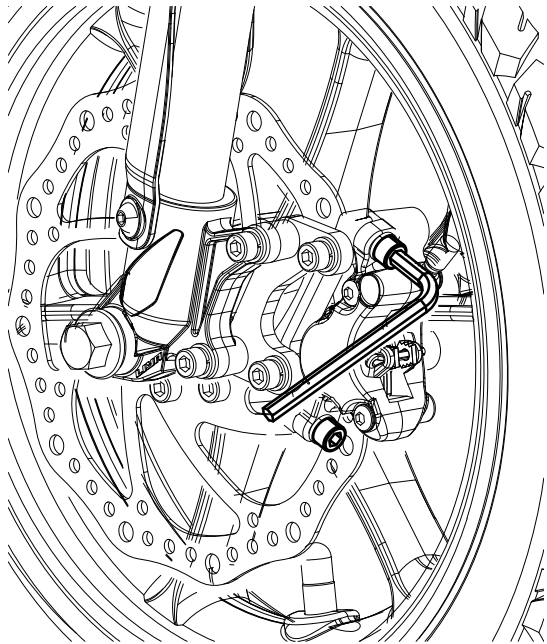
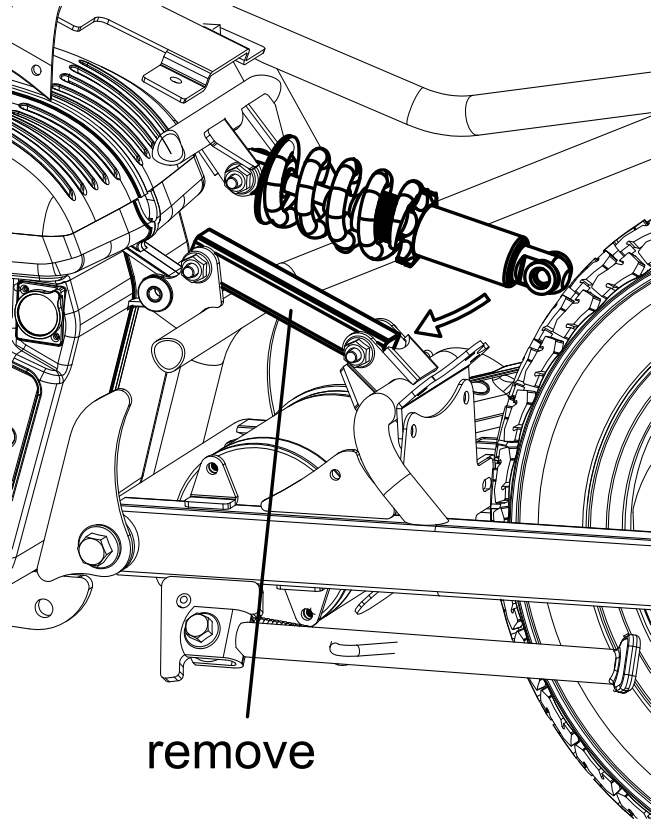


Fig 2

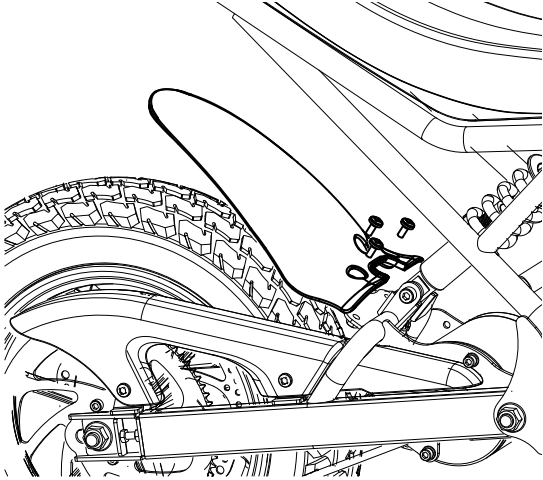
Installing The Rear Shock

The Rear shock is mounted to the top shock mount under the seat. There is a short tube that holds the bike in a lowered position for shipping purposes. The top bolt and the tube will be discarded but **You will need the bottom bolt from the Shipping tube to secure the bottom of the shock to the rear fork.** With the tube removed swing the shock down into place and install the bolt that was removed from the bottom of the shipping tube.



Install the Rear Fender

Using (3) 6mm allen bolts, attach the Rear Fender to the top of the Rear Fork just behind the rear shock. Tighten securely with a 5mm allen wrench. Remember the fender is plastic so do not over tighten bolts.



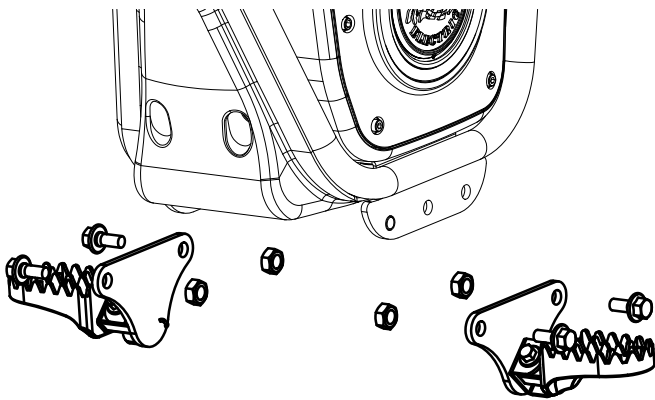
Checking the Tire Pressure

Both tires should be set to 40-45 P1SI. We strongly recommend 45 PSI for persons over 175 lb when riding this product. Proper Tire pressure is VERY IMPORTANT. Do not squeeze the tire and assume it is correct. For the best performance and range this must be checked regularly. Low tire pressure reduces range, speed and all-around performance.

Please Note: There is a tire information label located on the left side of the rear fork with this information as well.

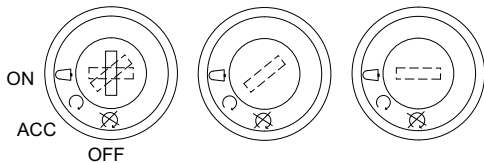
Installing the Footrests

The footrests are made to fit on the right and left. **MAKE SURE YOU ATTACH THE FOOTRESTS SO THAT THEY FOLD TOWARD THE BACK OF THE BIKE.** Using (4) 10mm Hex bolts and lock nuts attach the footrests and brackets to the bottom of the frame just below the battery box. Using 14mm wrenches Tighten the bolts and nuts securely.



Key Switch Operation

All TT Series minibikes come with keyed switches so that use can be restricted to owners and parental control is available. We send 2 keys with each unit and we highly recommend you save one of these keys in a safe place. The TT1600R has a three (3) position switch. The first position (1) is OFF, the second position (2) allows all lights and USB ports to operate without power to the motor. This is useful when using the lights, charging cell phones and using other accessories without the possibility of the vehicle taking off due to someone accidentally twisting the throttle. In the third position (3), Lighting, USB port and Motor are **All ON and the Bike is Fully Functional**



Charging the Battery

Your TT1600R has a charging port located on the left side of the battery box as shown in Fig (4) To access the plug rotate the charger port cover away from the Battery box housing. This plug must be orientated properly for the plug to connect and the charger plug can easily be turned until the charger port pins align allowing the connection to be made.

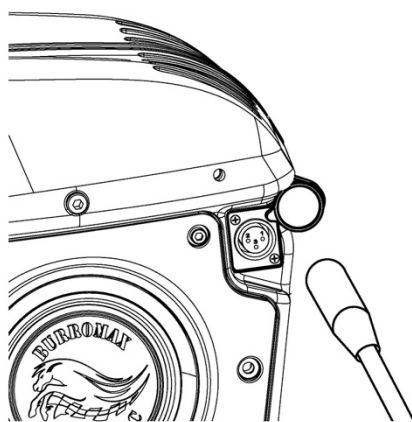
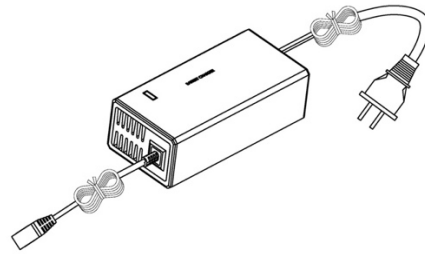


Fig 4

The charger has a small window with one LED to indicate the charge status. A Green Light indicates the charger is on and a Red

light indicates the charger is charging. When the battery is fully charged the indicator will change from a red light to a green light signifying the battery is fully charged. The charger will get warm during use, this is normal and is no cause for concern. If your charger does not get warm during use, it does not mean that it is not working properly.



For the first 5 charge cycles we recommend that you discharge the battery to 43-45 volts and then fully recharge, uninterrupted until the battery is full. Typical recharge time: up to 5 hours, depending on level of depletion. After the first 5 discharge cycles, shorter charging times or partial charging is okay. You will get over 75% charge in 4 hours. There is no need to fully cycle the battery every time you ride with Lithium batteries. You can ride for an hour and charge to full again if you like. When the minibike is not in regular use, recharge the battery at least once every 3 months until normal use is resumed. Turn power switch "OFF" before charging and conducting any maintenance procedures. Expect up to 600 charge and discharge cycles. Charging and discharging the battery in extreme temperatures above 110° F and below 32° F can cause damage to the battery.

The Burromax Li-ion battery and charger are to be used together. Do not use chargers from other model bikes—USE ONLY Burromax battery chargers.

WARNING: Rechargeable batteries are only to be charged under adult supervision. Always disconnect your electric mini bike from the charger when the battery is fully charged and before cleaning with liquid.

Modes of Operation:

Saver Mode and Hi-Low Speed Switches

All Burromax electric bikes are set on Saver mode and the Hi-Low speed Button should be in the Low position when they are shipped. You should change this setting only when you feel the rider can control the vehicle at higher speeds. The hi-low switch is located on the throttle just below the multi-function gauge, (the red button) and you will notice a **H** for High and a **L** Low on the Gauge to the left of the speedometer portion of the gauge. Depress the button and release to change between Hi and low speed settings. You can change this setting while the bike is in motion.

High and Low Speed:

TT1600R has a top speed of 32 mph on the High setting and a top speed of 21 mph on the low setting. You can change this setting while the bike is in motion.

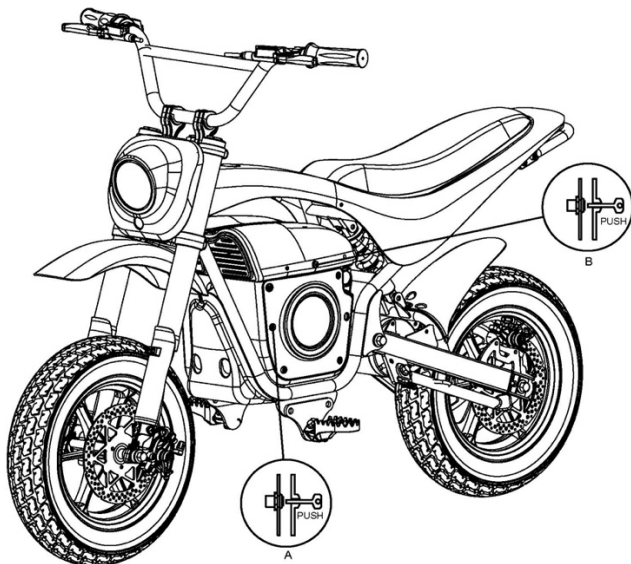


Fig 5

Saver Mode Settings:

To switch from Saver mode to Standard mode does not require the removal of the side cover. There is a small hole in the battery side cover allen bolts (fig 5 A) and with the key switch in the on position you can insert a small tool and depress and release the switch and notice a small **S** appear and disappear on the gauge.

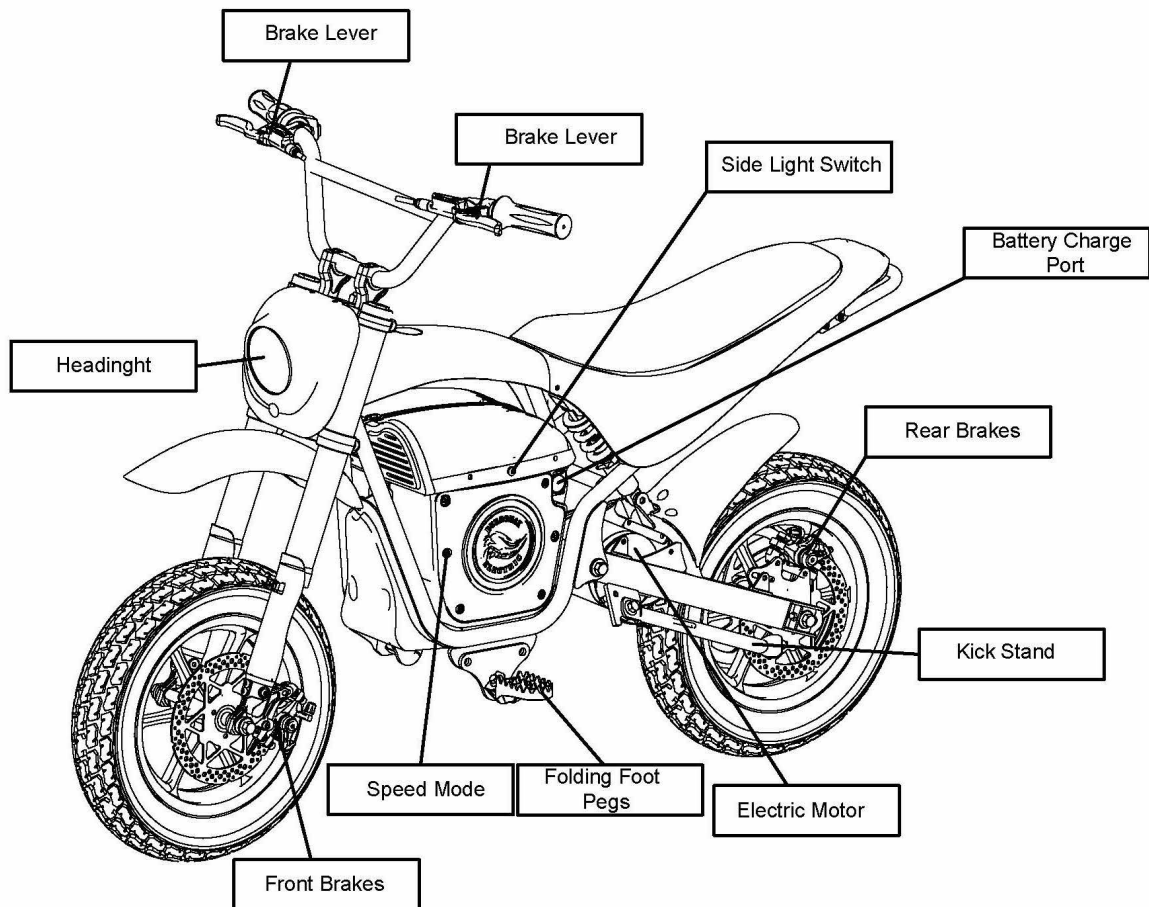
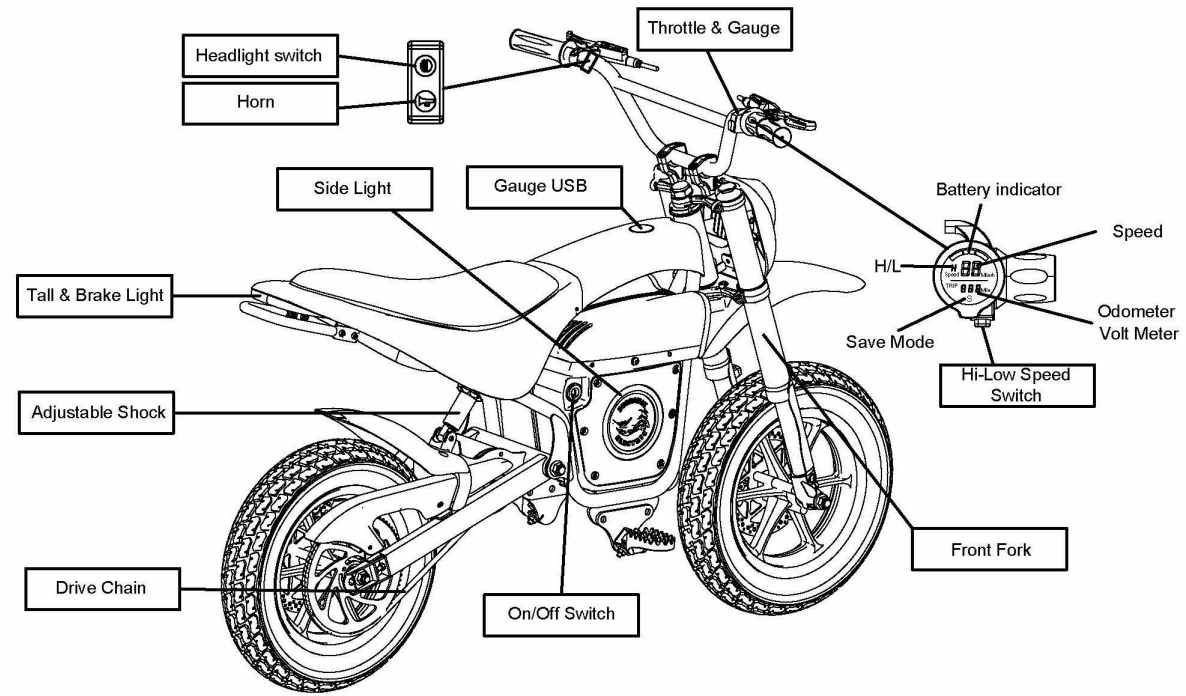
S is for saver and provides a mode of operation that consumes less power when running on low or high. If you see nothing in this area of the gauge you would be in the normal mode of operation.

Side Lighting

The side lighting is OFF when the bike is received.

We have incorporated LED lights on the sides of the bike for both safety and utility. These lights can help you be seen in daytime and nighttime running and are especially useful as a camping light. The lights can be turned on or off by depressing the hidden switch using a small tool as shown (fig 5 B)

Features and Controls



PRE-RIDE CHECKLIST

LOOSE PARTS

Check and secure all fasteners before every ride. Make sure handlebar clamp bolts are locked properly in place. There should not be any unusual rattles or sounds from loose parts or broken components. If you are not sure, ask an experienced mechanic to check.

BRAKE

Check the brake for proper function. When you squeeze the lever, the brake should provide positive braking action. When you apply the brake with the speed control on, the brake cut-off switch will stop the motor. When the brake is not in use, the Front and Rear wheel should spin freely without drag.

FRAME, FORK AND HANDLEBARS

Check for cracks or broken connections. Although broken frames and chassis components are rare, it is possible for an aggressive rider to jump, run into a curb or wall and wreck, bend or break a frame, fork or suspension components. Get in the habit of inspecting yours regularly.

Safety Gear

Always wear proper protective equipment such as an approved safety helmet, elbow pads and knee pads. Always wear athletic shoes (lace-up shoes with rubber soles), never ride barefooted or in sandals, and keep shoelaces tied and out of the way of the wheels, motor and drive system.

RIDERS SAFETY WARNING

This Mini Bike is designed for Off Road Use Only

and has been designed and intended for use in controlled environments free of potential traffic hazards and not on public streets. It is up to the end user to know the local laws governing such vehicles and where they are legal to be ridden. Burromax makes no claim that these bikes are street legal.

Riding an electric mini bike can be a hazardous activity. Certain conditions may cause the equipment to fail without fault of the manufacturer. Like other electric products, these vehicles can and are intended to move, and it is therefore possible to lose control, fall off and/or get into dangerous situations that no amount of care, instruction or expertise can eliminate. If such things occur you can be seriously injured or die, even when using safety equipment and other precautions.

RIDE AT YOUR OWN RISK AND USE COMMON SENSE.

It is your responsibility to review this information and make sure that all riders understand all warnings, cautions, instructions and safety topics and assure that young riders can safely and responsibly use this product. Burromax recommends that you periodically review and reinforce the information in this manual with younger riders, and that you inspect and maintain your product to insure rider safety. The recommended Minimum rider age is 16 years or older is only an estimate, and can be affected by the rider's size, weight or skills. Any rider unable to fit comfortably on the Mini Bike should not attempt to ride it. A parent's decision to allow a person younger than 16 years old to ride this product should be based on the child's maturity, skill and ability to follow rules. DO not exceed the maximum recommended rider weight of 300 lbs. Rider weight does not necessarily mean a person's size is appropriate to fit or maintain control of the vehicles.

Keep this product away from small children and remember that this product is intended for use only by persons who are completely comfortable and confident when operating this mini bike.

Do not touch the brakes or electric motor on your electric mini bike when in use as they can become very hot.

Always check and obey any local laws or regulations which may affect the locations where the vehicles may be used.

Ride defensively. Watch out for potential objects that could catch your wheel or force you to swerve suddenly or lose control.

RIDERS SAFETY WARNING

Be careful to avoid pedestrians, skaters, skateboards, scooters, bikes, children or animals who may enter your path, and respect the rights and property of others.

Do not activate the throttle on the hand grip unless you are on the electric mini bike and in a safe, outdoor environment suitable for riding. These bikes were manufactured for performance and durability but are not impervious to damage. Jumping or other aggressive riding can over-stress and damage any product, including this electric mini bike, and the rider assumes all risks associated with high-stress activity.

Be careful and know your limitations. Risk of injury increases as the degree of riding difficulty increases. The rider assumes all risks associated with aggressive riding activities. Maintain a hold on the handlebars at all times. Never carry passengers or allow more than one person at a time to ride the electric mini bike without proper skills and accessories. Never use near steps or swimming pools. Keep your fingers and other body parts away from the drive chain, Wheels, Brake Rotors, steering system, and all other moving components. Never use headphones or a cell phone while riding this bike. Never hitch a ride with another vehicle.

Do not ride the vehicles in wet or icy weather and never immerse the electric mini bike in water, as the electrical components and drive components could be damaged by water or create other hazards or possibly unsafe conditions. These vehicles are intended for use on smooth ground without loose debris such as rocks or gravel. Wet, slick, bumpy, uneven or rough surfaces may impair traction and contribute to possible accidents. Do not ride the electric mini bike in mud, ice, puddles or water. Avoid excessive speeds that can be associated with downhill rides.

Proper Clothing

Always wear an approved safety helmet (with chin strap securely buckled). A helmet may be legally required by local law or regulation in your area. Long pants and gloves are recommended. Always wear boots or athletic shoes (never ride barefooted or in sandals, and keep shoelaces tied and out of the way of the wheels, motor and drive system.

BATTERY AND CHARGER WARNINGS

1. The charger supplied with the electric mini bike should be regularly examined for damage to the cord, plug, enclosure and other parts, and in the event of such damage, the bike must not be charged until the charger has been repaired or replaced.
2. Use ONLY Burromax Li-ion Battery Charger Specific to the TT1600R.
3. Do not operate a charger near flammable materials.
4. Unplug charger and disconnect from bike when not in use.
5. Chargers are not waterproof and should never be used in wet conditions. Water and moisture will damage the charger so always use the charger in a clean, dry area
6. Do not store or charge the battery in extreme temperatures. Above 110° F or below 32° F
7. Keep away from fire.
8. Do not disassemble the battery.
9. Do not use Lead Acid or automotive battery chargers as it will damage the battery and void your warranty.
10. Turn the power switch OFF before charging the battery or conducting any maintenance procedures.

FAILURE TO USE COMMON SENSE AND HEED THE ABOVE WARNINGS INCREASES RISK OF SERIOUS INJURY. USE WITH APPROPRIATE CAUTION AND SERIOUS ATTENTION TO SAFE OPERATION.

Recycle batteries at locations that accept Lithium Ion Batteries—DO NOT THROW IN THE TRASH

POWER WASHING WARNINGS

Use care when washing to avoid pointing the water streams directly at the electrical components. Avoid pointing the water at the Throttle and Speedometer, Brake Handles, and the ends of the Motor. Do not use Hi Pressure to wash the plastic body or the hydrographics may come off! Do not put water directly into the battery housing vents! High Pressure washing tires, wheels, brakes and under the bike or frame components poses no danger to the bike when washing. Be Careful!!! and thoughtful of all wiring and Electrical Components when washing.

Operation and Performance Notes

This bike was intended for enjoyment for the entire family as a Pit Bike, Camping Bike, Hunting mobility or to cruise around the property on. It was designed specifically as an off-road motorcycle. This Bike was not intended for use as a Competition or Motorcross bike and should not be used to jump, ride wheelies or stunt on.

We recommend riders up to 300 lbs use this bike on relatively flat hard packed surfaces and lighter weight riders have more freedom on terrain and riding aggressiveness.

WARNING: Do Not Operate this vehicle in WATER or SAND.

Water and sand can damage the motor which has AIR VENTING and COOLING HOLES in each end. Keep water and sand away from the Motor! These vehicles are intended for use on hard packed ground without loose debris such as rocks or gravel and sand. Wet, slick, bumpy, uneven or rough surfaces may impair traction and contribute to possible accidents. Do not ride the electric mini bike in mud, ice, puddles or water. Avoid excessive speeds that can be associated with downhill rides! This bike can achieve high speeds on downhill rides which can cause the rider to lose control and cause injury or even death.

Running time

Run time may vary depending on many factors such as riding conditions, rider weight, climate and/or proper maintenance. Distance and performance testing was done with 200 lb riders and these bikes were tested to have a 44 Mile range on the low setting in saver mode (20 mph) and nearly 26 miles on the high setting in saver mode (32 mph)

Testing was done on flat ground with wide open throttle with calm weather. These bikes were tested from full charged to cutoff voltage and we don't recommend this type of usage as the normal. You should familiarize yourself with the voltmeter located on the handlebar gauge and the voltage displayed while the bike is under power and moving. You will notice the voltage changes with the power load required, this is normal. At full charge you should see approx. 58V and cut off is approx. 39.5V

The most common cause of low performance is LOW TIRE PRESSURE. Please ensure tire pressure is maintained for optimum ride time and performance.

Riding until the battery is completely dead

This bike will completely shut off at approximately 39.5V, which is displayed on the handlebar gauge.

We do not recommend running the bike to cutoff, as it is a real pain to push your bike home. If this happens to you, you can wait approx. 3-5 Min and the battery voltage will rise enough to allow you one short ride if you are gentle with the throttle, but don't expect to go far. If you do run the bike until cutoff, we recommend that you recharge the battery immediately after you have run the battery below this voltage.

DO NOT LET A DEAD BATTERY SIT FOR A LONG PERIOD OF TIME. If you allow these batteries to sit for long periods of time when fully discharged you my risk being unable to recharge the battery.

REPAIR AND MAINTENANCE

Warning: Turn power switch “OFF” before conducting any maintenance procedures.

Servicing the Brake

The TT1600R is equipped with Hydraulic brake systems front and rear. Hydraulic disc brake pads are also self-adjusting for wear, so if the lever is being pulled back too far, or is hitting the handlebar the hydraulic system needs to be put through the proper bleeding process to remove air bubbles. You also need to check for leaks, loss of fluid, and check the wear on the brake pads. If you are unfamiliar with hydraulic brakes you may find it better to have a good bike repair shop do the inspection and bleed process as it requires a special kit, replacement fluid, and has to be carried out following proper procedure.

Inspecting and replacing the brake pads:

Burromax stocks replacement brake pads and they are relatively easy to replace. It's important to check the pads regularly – if they wear out right down to the backing plate, metal-on-metal contact will destroy brake rotors very quickly.

If you need to replace the brake pads, start by removing the caliper from the brake mounting bracket. Then Push the old pads into the caliper with a pad pusher tool or a large flat head screwdriver.

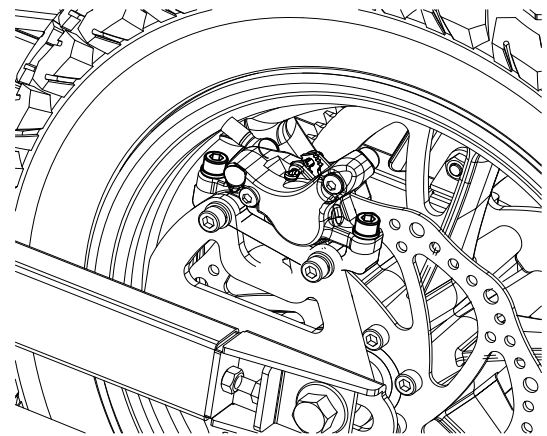
Insert the tool in between the two brake pads and Twist or pry. This action will push the brake pistons back into the caliper. Remove the split retaining pin holding the brake pads in place. Remove the pads and spring using needle-nose pliers. At this point it's a good idea to clean the inside of the caliper and rotor with a little degreaser and paper cloth, to remove any brake dust or dirt build-up. Install the new pads along with the retention pins and spring clip.

If you need to replace the brake disc, now is time to remove the wheel and replace it. When reinstalling the wheel make sure that you reinstall the spacer in the correct locations and the wheel rolls freely after the axle has been properly tightened.

Install the caliper over the Brake Rotor, align the mounting holes and install the mounting bolts. Before tightening the mounting bolts Loosen the caliper adjusting bolts one full turn so that the caliper is loose on the mounting bracket. Finish tightening and

Check all brake mounting bolts. You might have to squeeze the lever several times before the pads engage. If they don't grip the rotor after repeated pumps then you will need to bleed the brakes. Squeeze the brake lever a couple more times to set the position of the caliper. Squeeze the brake lever one more time and hold pressure on the lever while tightening the caliper adjusting bolts. This will align the caliper and brake pads. The rotor should be running parallel and central to the caliper body. When depressed the brake lever should be approximately 1 inch or more off the hand grip and have a firm feel

The wheel should roll freely without dragging on the brake when this operation is completed.



Testing the Brakes

To test the brake, squeeze the lever to increase the pressure on the brake. When depressed The brake lever should be approximately 1 inch or more off the hand grip and have a firm feel. The wheel should roll freely by hand when the brake is not applied and the brake should lock up when applied with force.

WARNING: The brakes can cause the electric motorbike to skid the tire throwing an unsuspecting rider. Practice in an open area free from obstacles until you are familiar with the brake function. Avoid skidding to a stop as this can cause you to lose control.

Note: Brakes that are poorly adjusted can be draggy and will cause excessive wear and poor performance.

CHAIN ADJUSTMENT, REAR TIRE AND CHAIN REPLACEMENT

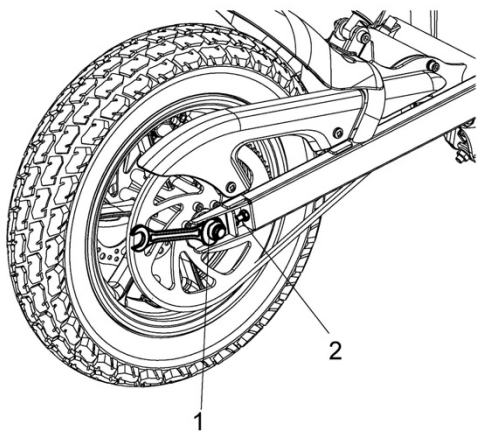
Tools required: 5mm allen wrench ,2- 10mm wrenches, 14mm, 17mm wrench and Chain Lube.

Set the bike on a stable platform so that the rear wheel is off of the ground.To adjust the chain only perform steps 3, 6, and 7

To replace and adjust the Chain perform steps 1, 3, 5, 6, and 7

To replace or repair the rear tire perform steps 1, 2, 4, 6, 7, 8, 9, 10,

Use a 5mm allen wrench and remove the chain cover screws and slide chain guard to the back of the mini bike.

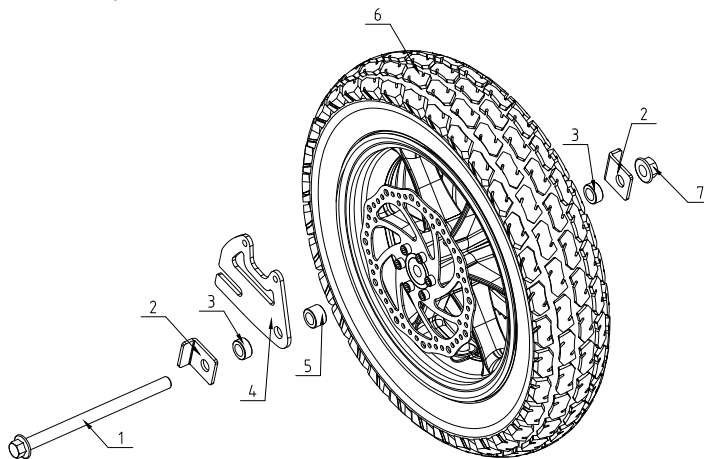


If replacing the tire remove the two brake caliper mounting bolts (5mm Hex Key) and remove the caliper.

Adjusting or replacing chain only use 14mm and 17mm wrenches, loosen the axle, approximately 2 full turns

Remove the rear wheel, remove axle nut and axle and remove the chain from the sprocket--pull the wheel out.

Note the sequence of the hardware for assembly



Replacing the chain requires removal of a master link. Removing the outer retainer allows this link to be disassembled and removed. Be careful not to damage the Retaining clip. Note. Install clip as shown (fig.X)



WARNING: Make sure the power switch is in off position before performing any maintenance.

WARNING: To avoid a pinch or injury keep fingers away from moving sprockets and chain.

TT1600R Axle Assembly

B-1 Rear Axle

B-2 Rear Axle Adjuster Plate (2)

B-3 Rear Axle Spacer-Sprocket and Disc Sides -Outer (2) 22mm

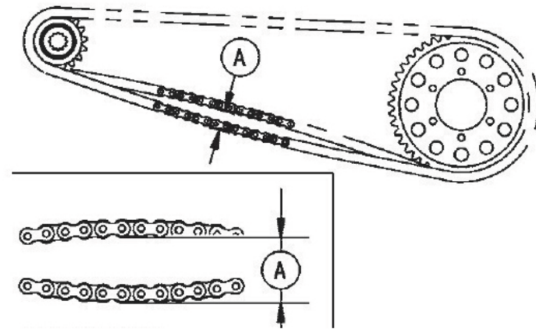
B-4 Caliper Mounting Plate

B-5 Rear Axle Spacer-Disc Side -Inner ONLY-22mm

B-6 Rear Tire

B-7 Rear Axle Nut

1. Install the new chain by lacing the chain around the motor sprocket. Maneuver the chain onto the sprockets on the rear wheel and motor. Pull the chain tight. Place both ends of the chain at 10 o'clock on the rear wheel sprocket. This will make it easier to install the master link. Slide the master link into the chain with the pins out, place the outer side link onto the protruding master link pin. Push the link together so that you can see the retaining clip grooves in the pins. Lay the retaining clip over the pins with the open end toward the back of the bike and slide the clip in place using a pair of pliers. Make sure the clip is locked in place.
2. Roll the wheel while feeling the slack in the chain and find the tightest spot in the chain. Using two 10mm wrenches. Hold the adjusting bolt and loosen the Jam nut on the chain adjuster bolts. Turn the chain adjuster bolts one flat at a time counterclockwise to Tighten the chain adjusters. Work both sides evenly to remove slack from the chain as required. Keep rolling the wheel while checking the free play in the chain. (fig A) When you have 1/2" of Free play in the chain at the tight spot tighten the axle nut. Recheck chain free play by rolling the wheel around again to find the tight spot and confirm that you still have the 1/2" free play. Hold the axle adjusting bolt with one 10mm wrench and tighten the Jam Nut with the other 10mm wrench. Recheck for free play and that the rear wheel rolls freely
3. Now is a good time to lube the chain with chain lube. Slowly roll the wheel while spraying chain lube on the inside of the chain. Roll the wheel a few more times to work the chain lube into the chain Do not spin the rear wheel for 10-15 minutes after chain lube has been applied.



1. Reinstall the rear brake caliper. After the caliper has been reinstalled, spin the rear wheel by hand and squeeze the brake lever to make sure the wheel spins freely and the brake works properly.
2. Slide the chain guard back in place and reattach using two 6mm allen screws. tighten using a 5mm allen wrench
3. Test ride

Chain and Sprocket Notes:

The chain will typically have a "loose spot" and "tight spot" corresponding with a sprocket rotational position. This is normal and common to all chain-driven products due to run-out tolerances of the sprockets. The chain should be adjusted to the ideal tension with the chain in the tightest spot.

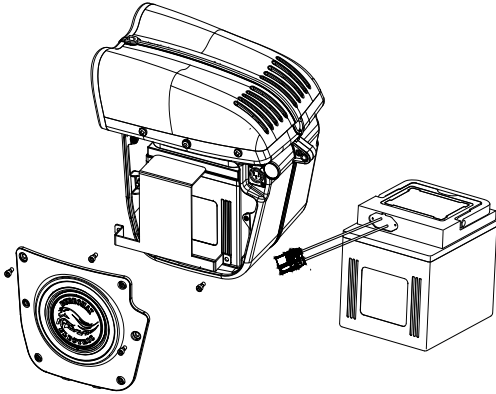
Proper chain alignment must be maintained. The wheel must not be skewed. If the chain is noisy or rough running, check the lubrication, tension and alignment of the sprockets, in that order.

WARNING: To avoid a pinch or injury keep fingers away from moving sprockets and chain.

Battery Replacement

WARNING: Make sure the power switch is in off position before performing any maintenance.

Li-ion battery (1-52v-23.8ah) contains a non-replaceable internal breaker. **Only use the Burromax Li-ion battery and Li-ion Battery charger together. Do Not attempt to replace this battery with anything other than the OEM battery**



1. With the battery cover removed, disconnect the hold down strap.
2. Slide battery set out of mounting tray.
3. Disconnect battery connection. Re-install new battery and reconnect.
4. When reconnecting the new battery you may get a small spark.
5. Tuck in wires and reassemble.
6. See www.burromax.com for ordering.

Specifications:

Weight:

Gross: 112.4 lb.

Net (Bike only) 97 lb.

Performance:

High Speed: 32-34 Mph on Standard/Saver Mode

Low Speed: 20-22 Mph on Standard or Saver Mode

Range: (Tested using 200 lb. Rider on Flat Pavement)

High--Up to 26 Miles

Low--Up to 44 Miles

Charge Time:

100% Discharge approx. 6.5 Hrs to full recharge

80% Charge in 3 Hrs.

Weight Capacity:

Up to 300 lbs. on Flat Pavement/Dirt

For Off Road Riding we recommend 180 lb max

Electrical:

Battery: 52 Volt 23.4AH Lithium Ion

Charger: 58.8V 4 Amp

Controller: 4 Modes, Hi/Lo Speed Handlebar controlled, Standard/Saver Mode is hidden switch, Locked Wheel Cut

Wiring: Waterproof *** Type

Motor: Brushless DC 1600W Rated

Lighting: LED Headlight, LED Taillight

LED Safety Side Lights

Display: MPH, Odometer, Voltage, Charge Bar Graph, Hi/Low

USB Ports: Dual 4.5 Amp Fast Charging

Horn: Single Note 120 db

Chassis:

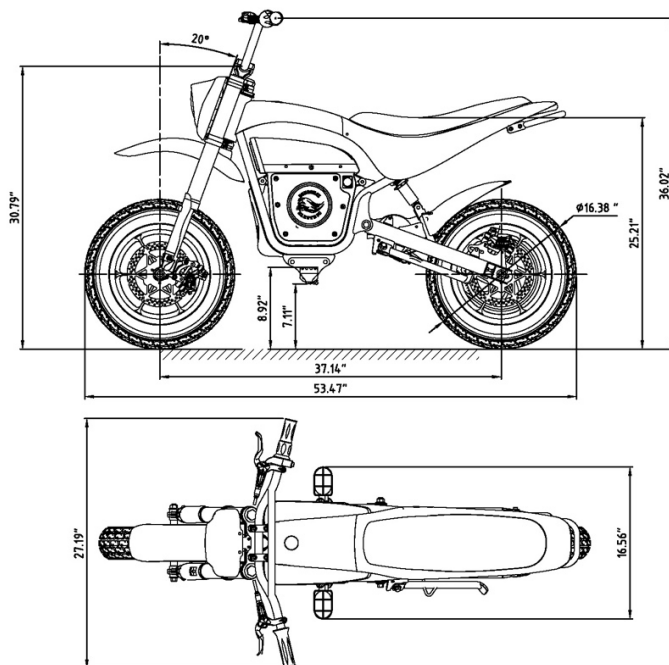
Fork: 36mm Inverted Hydraulic

Rear Shock: 150mm Coil Over Hydraulic-Adjustable

Wheel: 3.5x10" 6 Spoke Alloy

Tire: 100/90-10 Burromax Track Tire

Brakes: 180mm Hydraulic Disc F/R



California Prop 65 Warning



WARNING!

Lithium-ion Batteries and/or products that contain Lithium-ion Batteries can expose you to chemicals including cobalt lithium nickel oxide, and nickel, which are known to the State of California to cause cancer and birth defects or other reproductive harm.

For more information, go to

www.P65Warnings.ca.gov/passenger-vehicle.

Burromax Limited Warranty

If you have defects of quality or workmanship Burromax will send you replacement parts free of charge for a period of 90 days from date of purchase. This Limited Warranty does not cover normal wear and tear, tires, tubes, chain or any damage, failure or loss caused by improper assembly, maintenance, or storage or use of these products. Batteries are warranted 2 years from date of purchase. The manufacturer is not liable for incidental or consequential loss or damage due directly or indirectly to the use of this product.

This Limited Warranty will be void if the product is ever:

- used in a manner other than for recreation specified in this manual
- modified in any way;

Burromax does not offer an extended warranty. If you have purchased an extended warranty, it must be honored by the store at which it was purchased. For your records save your original sales receipt with this manual, Fill Out the product registration page and mail it to:

Burromax
1 Chesterfield Mall
Chesterfield MO 63017

All Warranty requests will be evaluated by Burromax and final determination will be made at our sole discretion.

Replacement parts are available at

www.burromax.com

1-800-742-1189