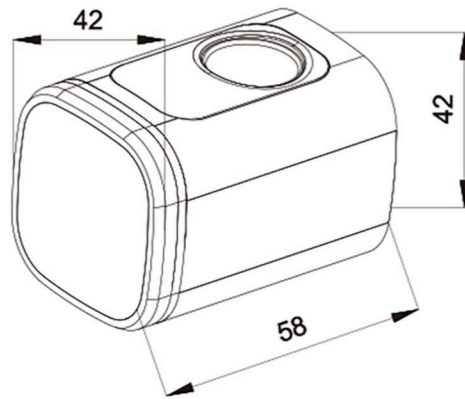
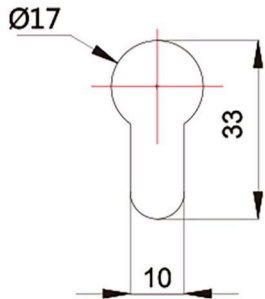
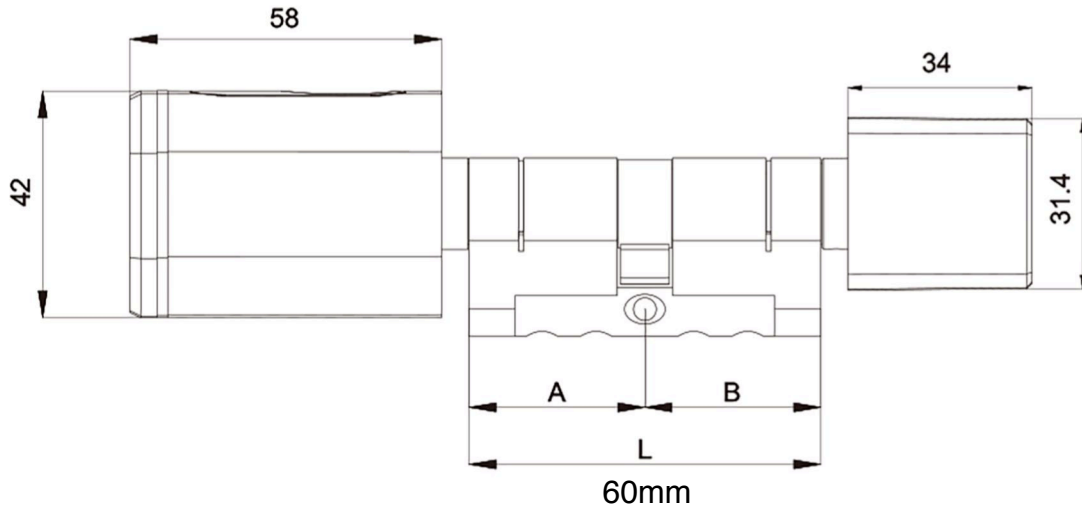
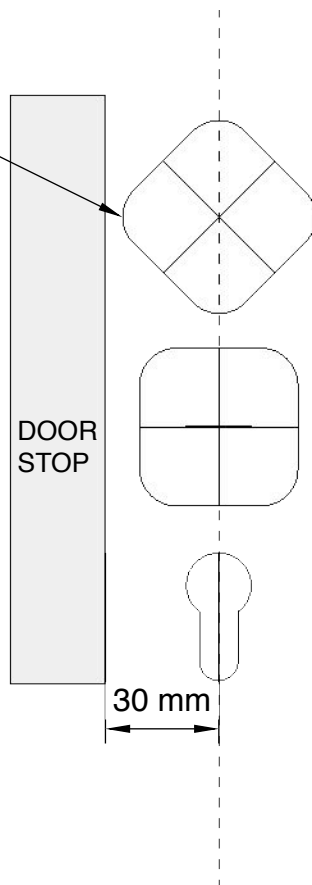


# EURO CYLINDER DIMENSIONS



## IMPORTANT

When turned 45 degrees make sure handle does not strike the door stop



On doors where the backset distance is around 35mm, carry out the following test.

From the outside, close the door. Measure from the centre of the euro cylinder to the edge of the door stop.

This must be at least 30mm otherwise when you turn the handle it will strike the door stop.