



Back Door Unlocked

10:32 AM – Adam Wilson



Control access from your phone or computer.



- ✓ Manage a single lock or manage thousands.
- ✓ Schedule access for services, guests and employees.
- ✓ Monitor and manage access from anywhere.

Wi-Fi Smart Locks



RemoteLOCK, the leading Wi-Fi smart lock, is perfect for Airbnb properties, office buildings, rental properties, residential, industrial and any location requiring remote monitoring and management of locks

Access Control Systems



RemoteLOCK's ACS is a hard wired, internet connected access solution. Perfect for common doors, gates and any high traffic application. The ACS also syncs with our Wi-Fi locks so one code can open multiple doors.

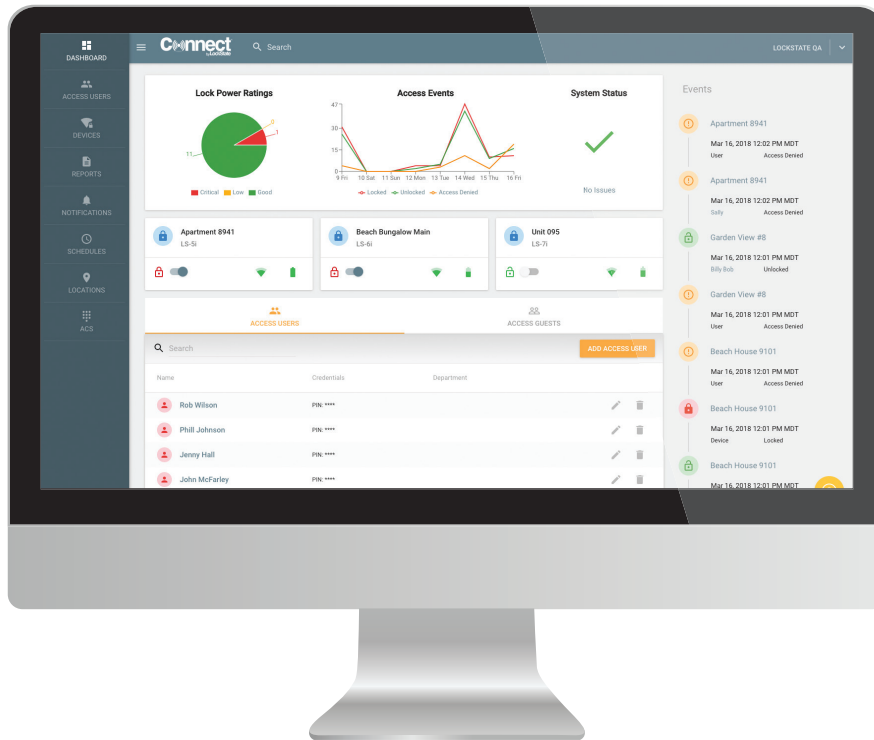
Software



smartCONNECT* is our enterprise grade, cloud based software platform that allows you to manage multiple locks across all your properties. COMING SOON, manage other locks like August, Yale and Danalock.

* requires subscription

Any lock. Any property.



Controlled and managed from the cloud.

✓ Simplify Property Access Management

RemoteLOCK solutions simplifies the challenges involved with employee access for commercial buildings and tenant access for apartments and multi-family properties. Whether managing single or multiple locations, our browser-based solution provides a simple to use interface and removes the need for on-site dedicated workstations. Even provide tenants with the ability to manage guest or employee access to their own interior suites.

✓ Centralized Control for Multiple Facilities

The RemoteLOCK removes the need for on-site servers and a dedicated workstation, letting you manage multiple sites from one location, even if they are spread out across the world.

✓ Reporting

View real-time access history reports for all your doors across all your properties. Now you'll know exactly who, when, and where people are entering your business or property.

✓ Booking Platform Integration

Integrated with Airbnb, Guesty, HomeAway, Beds24 and other listing sites to automatically create access for bookings. API available for custom integrations.



✓ Cut Overheads - Less Hassle without Keys

Eliminate or at least minimise Meet & Greet thus reducing your overheads. Easily and instantly provide or revoke access from the web instead of dealing with physical keys or re-keying locks.

✓ Scalable Solution

Quickly and easily add additional doors or building sites to the RemoteLock cloud-based platform. Internal doors can be added in minutes with RemoteLOCK WiFi door locks... no need for wiring!

✓ Minimal Up Front Investment

With RemoteLOCK's cloud-based architecture there is no need for expensive on-site servers or dedicated workstations. Lease finance options available to spread the cost and provide tax advantages.

✓ Notifications and Alerts

RemoteLOCK Connect's notification engine will provide history on the app, and also email alerts for: unlocks, locks, access denied, access user/guest code synchronized, WiFi connectivity, and battery power level low.

✓ Provide the Best Tenant Experience

Tenants love the cool, connected experience of the RemoteLOCK smart lock experience, no keys to carry or forget or lose!

Exceed Guest Expectations & Simplify Management

The RemoteLOCK range of Wi-Fi enabled smart locks are designed for the rental and business market, perfect for Airbnb properties, office buildings, rental properties, residential, industrial, and any location needing remote monitoring and management of locks. Connect directly to existing routers with no additional equipment needed. These robust WiFi enabled locks allows users to manage access remotely, know when people unlock your door, and even receive alerts when codes are used.

How do Remotelocks Work?

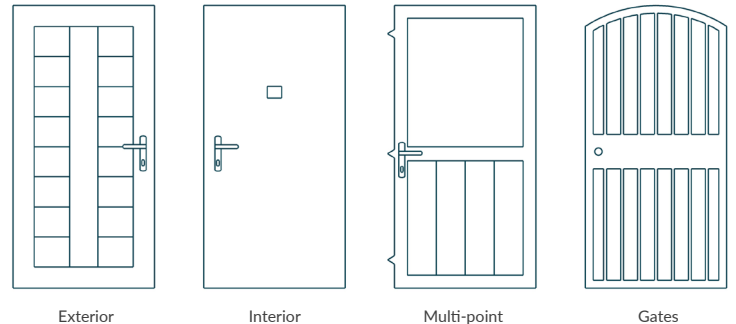
An access code is created in the smartCONNECT portal. This time sensitive code is then sent to the lock via Wi-Fi. The guest is automatically sent an email with the code, this message can be customised in the portal. To unlock simply enter the code followed by the hash key and open the door. When the door is closed the AUTOLOCK function will ensure the door is locked from the outside. All Remotelocks function as a 'PANIC' lock, meaning that you can exit the building without having to unlock the door.

UPVC & Composite Doors

Most UPVC doors are fitted with a multi-point lock where you pull up the handle to engage the deadbolts before turning the key to lock the door. This is NOT compatible with the RemoteLOCK. However GU & Winkhaus offer a specialist multi-point mechanism that has a self activating deadbolt function. This IS compatible with the RemoteLOCK 3i and 7i. You do need to make sure that there is space on the door to accommodate our lock. The GU multipoint is available with 35mm, 45mm, 55mm and 65mm backset. In addition a 12v motor can be added to the multipoint and be used with our ACS.

Door Types and Compatibility

RemoteLOCKS will fit on most doors. They are supplied with spring barrel latches and the backset distance is either 60mm or 70mm. The 'backset' is the distance from the door edge to the centre of the lock. Most European doors use a lever handle and mortice latch. These vary in size and the backset distance can vary from 45mm to 80mm. Remotelocks are compatible with most Euro Din mortices where the backset distance is 45mm+. If you already have a mortice lock installed, it is generally easier to leave this in place or replace with a compatible euro mortice. We offer a range of compatible mortice latches which also give additional security options.



Please call for more details.



RemoteLOCK 7i with standard latch.



RemoteLOCK 3i with GU multipoint latch on composite door.



RemoteLOCK 7i with euro din mortice.



Euro din mortice latch

RemoteLOCK™ 7i



Back

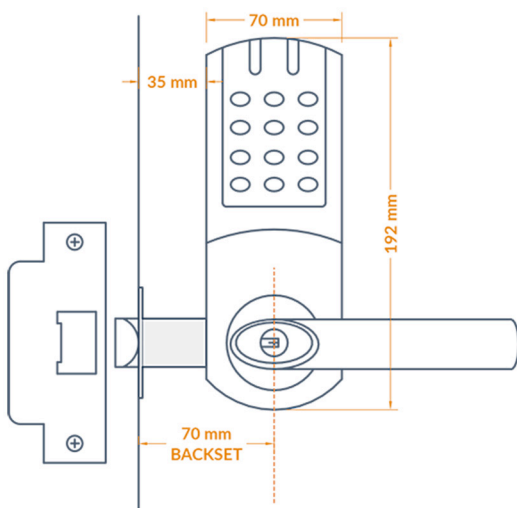
Front

RemoteLOCK 7i - External & Common Doors

7i Features

- Wi-Fi enabled lock connects to existing router, no hub required
- Weatherproof finish and keypad
- Suitable for door thicknesses between 35mm and 65mm
- Autolock function, essential for rental properties
- UL grade 2 latch - 70mm backset
- Up to 1000 user or guest codes available
- Handles are reversible, left and right
- Manage online from the smartCONNECT portal
- Compatible with Euro Din mortice latches

Dimensions



Tech Specs

Batteries:	4 x AA batteries, not rechargeable
Low Battery Warning:	Yes, battery level displayed in portal
Spindle Type:	8mm spring loaded spindle
Non Handed:	Yes, reversible left and right
Door thickness:	35mm to 65mm
Material:	Zinc alloy
Finish:	Brushed stainless & matt black
CE Marked:	Yes
Buttons:	Individual stainless steel buttons
Average Battery life:	3 to 6 months depending on heartbeat
3rd Party Hub Reqd:	No, connect directly to Wi-Fi
Number of Codes:	1,000 user or guest codes
Warranty:	1 Year
Tested:	CEI
Fire Rating:	3 hours with addn kit
Dimensions:	192mm x 70mm
Connections for Remote Release:	Yes
Key Override:	Yes, 2 keys
Euro Din Compatible:	Yes
Operating Temperature:	-20C to 54C
Autolock function:	Yes
Latch Type:	70mm with anti-thrust pin

Finishes and Options



SKU: LS-7i-S



SKU: LS-7i-BLK



Optional mortices

Available in brushed stainless and matt black. Supplied with a 25mm barrel latch but also compatible with several Euro Din Mortice latches. Manual key over-ride. Syncs with other Remotelocks and ACS common doors.

GBP £333.29 + VAT EURO £383.29 + VAT

RemoteLOCK™ 3i



Back



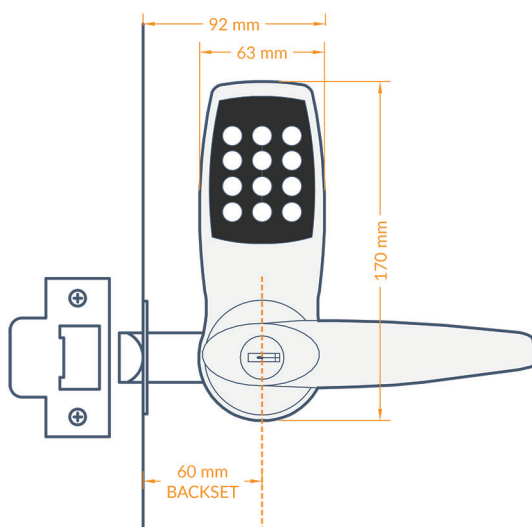
Front

RemoteLOCK 3i - Internal & Apartment Doors

3i Features

- Wi-Fi enabled lock connects to existing router, no hub required
- Buttons illuminate momentarily when pressed
- Suitable for door thicknesses between 35mm and 65mm
- Autolock function, essential for rental properties
- Supplied with 60mm & 70mm backset spring barrel latches
- Up to 1000 user or guest codes available
- Handles are reversible, left and right
- Manage online from the smartCONNECT portal
- Compatible with Euro Din mortice latches

Dimensions



Tech Specs

Batteries:	4 x AA batteries, not rechargeable
Low Battery Warning:	Yes, battery level displayed in portal
Spindle Type:	8mm spring loaded spindle
Non Handed:	Yes, reversible left and right
Door thickness:	35mm to 65mm
Material:	Zinc alloy
Finish:	Brushed stainless & black
CE Marked:	Yes
Buttons:	Plastic
Average Battery life:	9 to 12 months depending on heartbeat
3rd Party Hub Reqd:	No, connect directly to Wi-Fi
Number of Codes:	1,000 user or guest codes
Warranty:	1 Year
Tested:	CE
Fire Rating:	None
Dimensions:	170mm x 63mm
Connections for Remote Release:	Yes
Key Override:	Yes, 2 keys
Euro Din Compatible:	Yes
Operating Temperature:	-20C to 54C
Autolock function:	Yes
Latch Type:	60 & 70mm with anti-thrust pin

Finishes and Options



SKU: LS-3i



Optional mortices

Available in brushed stainless only. Supplied with a 25mm barrel latch but also compatible with several Euro Din Mortice latches. Manual key over-ride.

Syncs with other Remotelocks and ACS common doors.

GBP £308.29 + VAT EURO €349.95 + VAT

- Apartment Buildings
- Commercial
- Offices
- Factories
- Shared Workspaces
- Education
- Healthcare
- Student Accommodation
- Property Developers

Cloud Based Access Control

The RemoteLOCK Access Control System (ACS) is a cloud-based access system that integrates external door controllers with internal stand-alone Wi-Fi connected door locks for a complete access solution. Whether you have one door or hundreds, the ACS brings smart, connected access solutions to accommodation rental, commercial and retail businesses that were previously out of reach. The ACS is perfect for high traffic common doors.

ACS Main Features

- Internet controlled access to every door in your property portfolio.
- Mains powered, hard wired solution. Syncs with Remotelock Wi-Fi locks.
- Manage and monitor temporary access for maintenance staff and contractors.
- No more key management or re-keying. Use the smartCONNECT portal to set time-limited rules on who has building access.
- Manage one or many buildings across the portfolio, allowing service people and managers instant access to any door.
- Allow leasing agents keyless access to all vacant units or allow guest access via time sensitive codes - Integrates with airbnb.

Lower Your Costs

- Minimal on-going IT support
- Low cost portal subscription
- Lower implementation costs
- Easy to use by staff members

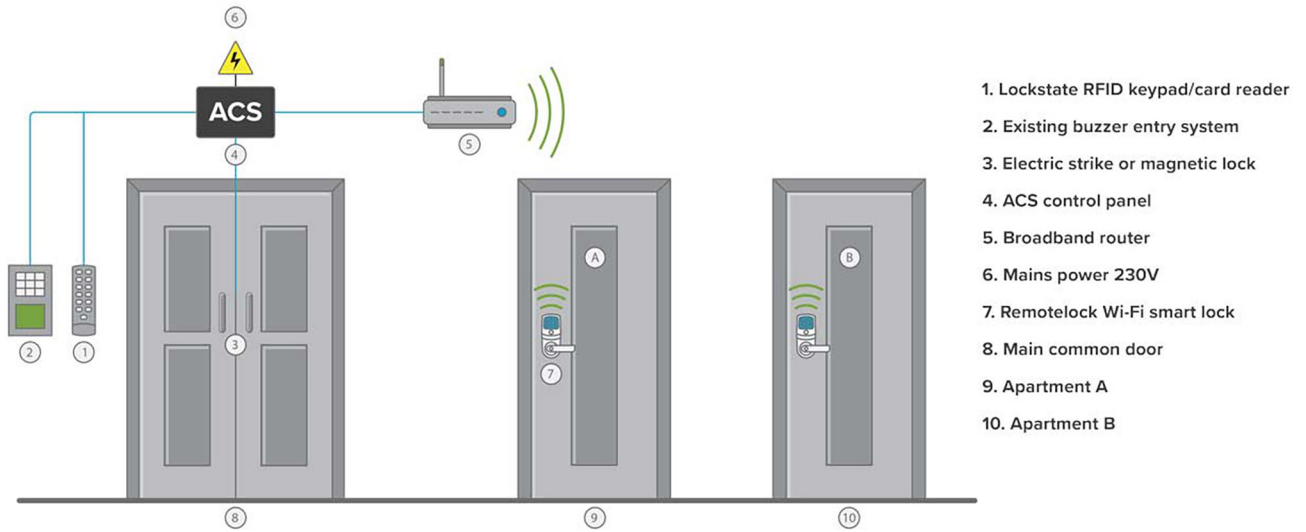
Scalable System

- Start with one door then expand as needed
- Integrated Wi-Fi door locks
- No on-site server required
- Manage multiple buildings online

Increase Security

- Replace keys with secure keyless access
- Access history updated in real time
- Revoke door access in real time
- Manage from anywhere

Typical ACS configuration with a common door and Wi-Fi locks



Many buildings have a common door with a standalone buzzer entry system. This creates a problem when you need to give guest access through this door. The solution is the RemoteLOCK ACS from Lockstate. When you create a unique code for an apartment door which has a Wi-Fi lock, the same code will work on the front common door.

ACS Components



ACS Controller



RFID Keypad/Reader



Electric Strike



Key Tags



Cards



Sticky Tags

ACS Installation

The ACS consists of a controller, RFID keypad/reader and electric strike or magnetic lock. In many cases it can be installed alongside existing buzzer entry systems. The controller is mains powered and connected to the internet via an RJ45 lead to a router. The Lite model supports up to 2 doors and the Std model can support 3 to 64 doors via expansion cards. Once installed, all code management is carried out via the smartCONNECT* portal. In addition the keypads are RFID enabled and also work with cards, fobs and sticky tags. HID keypad readers enable smartphones to be used to unlock doors.

* requires subscription

Control from your phone or computer



ACS + Wi-Fi Locks SYNC

For the perfect connected access solution, install the ACS on any common doors and our Wi-Fi smart locks on internal doors. In the portal, create door groups or common doors so that one code can open multiple doors.

Integrations

The ACS can work seamlessly with Ring Doorbells through an app to app integration and Doorbird doorbells can be hard wired.

