



WWW.DYETACTICAL.COM

BOX ROTOR

The DYE Box Rotor is designed to work exclusively with the DYE Assault Matrix (DAM). In most cases, no special installation is required to use the Box Rotor with the DAM. All standard maintenance and operation of the Box Rotor is entirely Tool-Less.

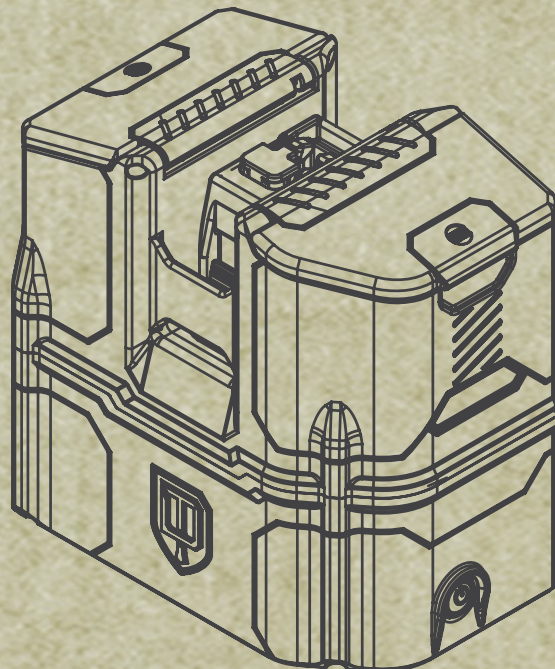
DESIGNED IN THE REPUBLIC OF CALIFORNIA

With offices in:

USA, Germany, Taiwan, Russia,
South Africa, Malaysia, Australia

For the most updated information go to
DYEPAINTBALL.COM

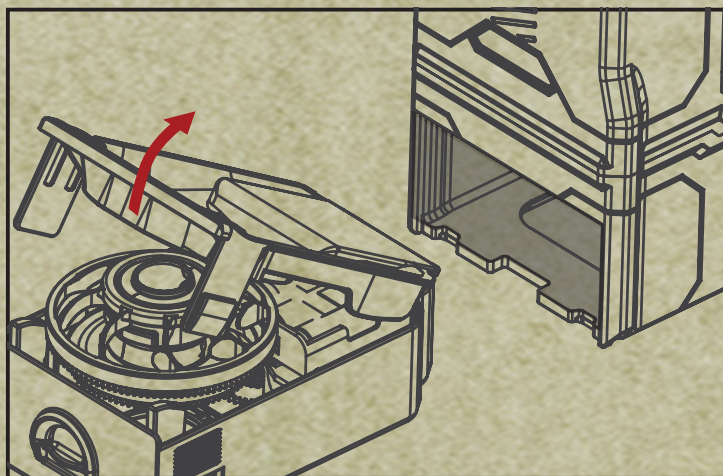
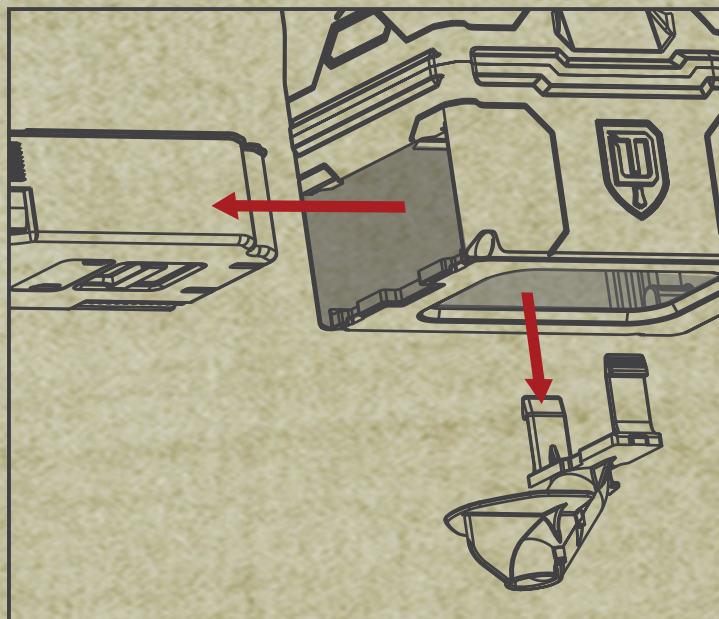
Copyright ©2022 DYE Precision, Inc. The stylized "dye" logo, "sphere" logo, are either registered trademarks, trademarks, or design trademarks of DYE Precision, Inc.



Cleaning the Box Rotor

The Box Rotor can be cleaned without tools and should only be cleaned with fresh water and a clean towel. **DO NOT** use abrasive cleaners or alcohol as permanent damage may occur. **DO NOT** allow the Gear Box to get wet. The circuit board is water resistant but should not be submerged in water to ensure optimal performance and longevity.

- Remove the Tray from the Box rotor by pressing down the Release Tab on the right side of the Box Rotor and pull the tray all the way out. Any paintballs inside the Box Rotor will fall through the bottom once the Tray is removed. If the Tray does not slide smoothly, shake the Box Rotor to clear any paintballs that may be blocking its motion.
- Wipe off the Tray assembly to clear any paint or debris from it. If more cleaning is required, remove the Tray Lid by pushing in on both of the Lid Tabs found on the front and back of the tray. Then pull upwards to rotate the Lid free of the Tray. Remove the Gear Box. All remaining parts can be cleaned with water and a clean towel.
- Once the tray is removed from the Box Rotor, all remaining parts can be cleaned with water and a clean towel.


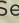


- Remove the Feed Tube by pressing both tabs on the front and back of the Magazine Neck. The tube should fall free of the Box and can be easily cleaned with a barrel swab.
- Remove the Retainer Clip by pushing back on the front face then pull upwards. Clean with water and a clean towel
- Reinstall the Retainer Clip by aligning the curved arm towards the back and pushing all the way down into the front cavity. It should spring back into place.
- Reinstall the feed tube by first aligning the tube so the bottom of the spout points to the right. Push the Tube into the magazine neck so that both of the tabs snap into place.
- Reassemble the Tray and slide it into the right side of the Box Rotor until it locks into place.

Charging and Installing the Battery

- Remove the Tray from the Box Rotor by pushing down on the Release Tab on the right side of the Box Rotor and pulling the tray all the way out.
- Open the Tray Lid by pushing in on both of the Lid Tabs found on the front and back of the tray. Then pull upwards to rotate the Lid free of the Tray.
- Remove the Gear Box with the Battery. Insert the rechargeable Battery Plug into the Battery Charger.
- Insert the wall plug into the Charger and plug into the wall. A full charge takes up to 9 hours.
- Reinstall the Gear Box. Ensure that the gears are correctly seated. Insert the Battery Plug into its socket on the Gear Box.
- Reinstall the Lid ensuring that both tabs are locked into place and reinsert the assembled Tray into the Box rotor. The Tray can only fit into the Box Rotor one way.

Synchronizing the Box Rotor and the DAM

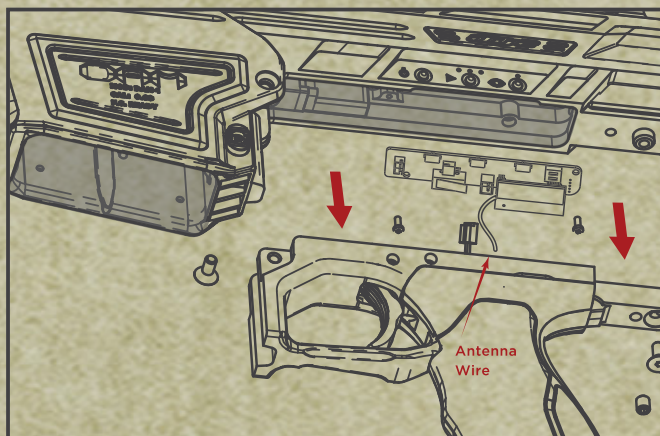
- Remove Tray and open Tray Lid to access the Gear Box.
- Remove Gear Box and locate the red Sync Button.
- Press the Power  and the Fire Select  Buttons simultaneously. All three blue Fire Select LEDs will flash.
- Press the red Sync button on the Box Rotor's Gear Box before the LEDs finish flashing. The button is located below the Battery Plug.
- Fire Select LEDs will stop flashing immediately after successful synchronization.
- Troubleshooting: If the box loader is NOT synchronized to a DAM, a red LED will flash on the Gear Box. Low Battery power or outside RF interference may cause synchronization to fail.

NOTE: The Box Rotor can be synchronized to any DAM circuit board, but only one at a time. This ensures that there is no cross communication between separate platforms.

Installing the DAM Circuit Board

NOTE: Older model DAM's will need to have an updated circuit board installed to accommodate the new programming and Auxiliary Circuit Board that allow the Box Rotor to work. New guns will already have the updated parts.

- First remove the stock or stock attachment cover from the DAM by loosening the set screw with a 3/32" Allen wrench and sliding the part off of the gun.
- Remove the now exposed frame screw with a 3/32" Allen wrench.
- Hold the frame and body together to avoid damaging any wires and remove the two rear screws from the magazine well on both sides with a 3/32" Allen wrench. Note that the screws on the magazine well are longer than the screw that holds the back of the frame. DO NOT mix the screws up or you may cause permanent damage to the DAM.
- Carefully pull the frame away from the body. The battery wire should disconnect as you pull the frame away.
- Locate the circuit board behind the solenoid and disconnect both the eye wire and the solenoid wire from the circuit board and note their location.
- Remove both of the circuit board screws with a Philips head screw driver and remove the board.

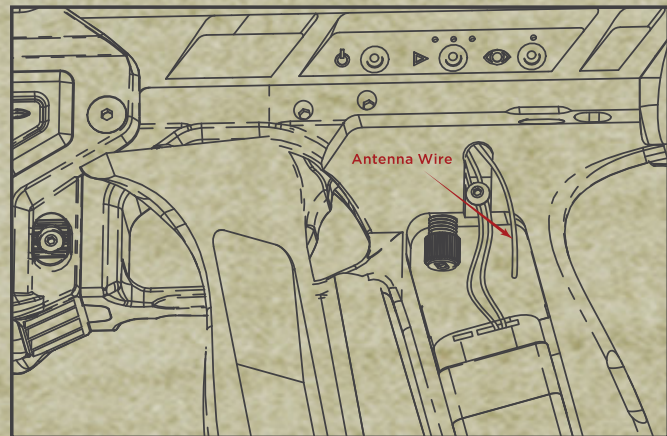
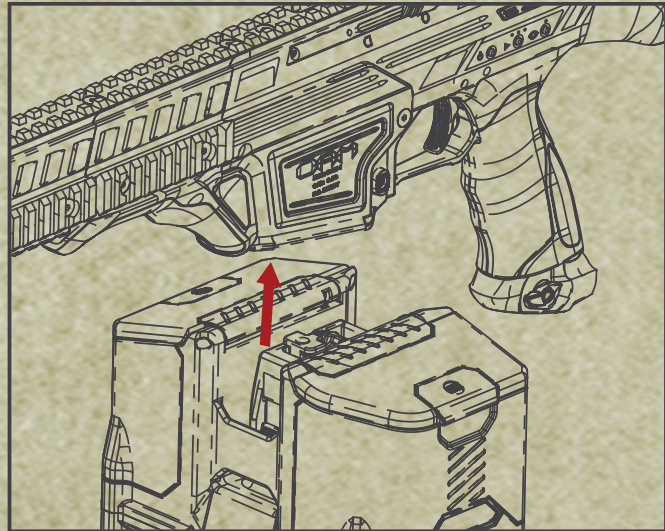


Attaching the Box Rotor to the DAM

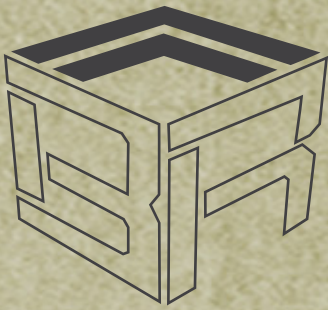
- With a 5/32" Allen Wrench loosen the Front Angle Grip from the shroud and move it -1 inch forward or remove entirely.
- Remove DTM or Toolkit Magazine from the DAM's Magazine Well.
- Insert Box Rotor into the magazine well with the DT Logo facing forward. Ensure Box Rotor is fully engages the magazine catch.
- Switch the On-the-Fly system forward to magazine fed operation.

WARNING: Once activated the Box Rotor will feed paintballs and the DAM will fire a paintball upon the next trigger pull.

- Press the power button on the left side of the Box Rotor to activate it.
 - Gas up and power up the DAM to begin normal operation.
- WARNING: The DAM will fire a paintball upon the next trigger pull.**



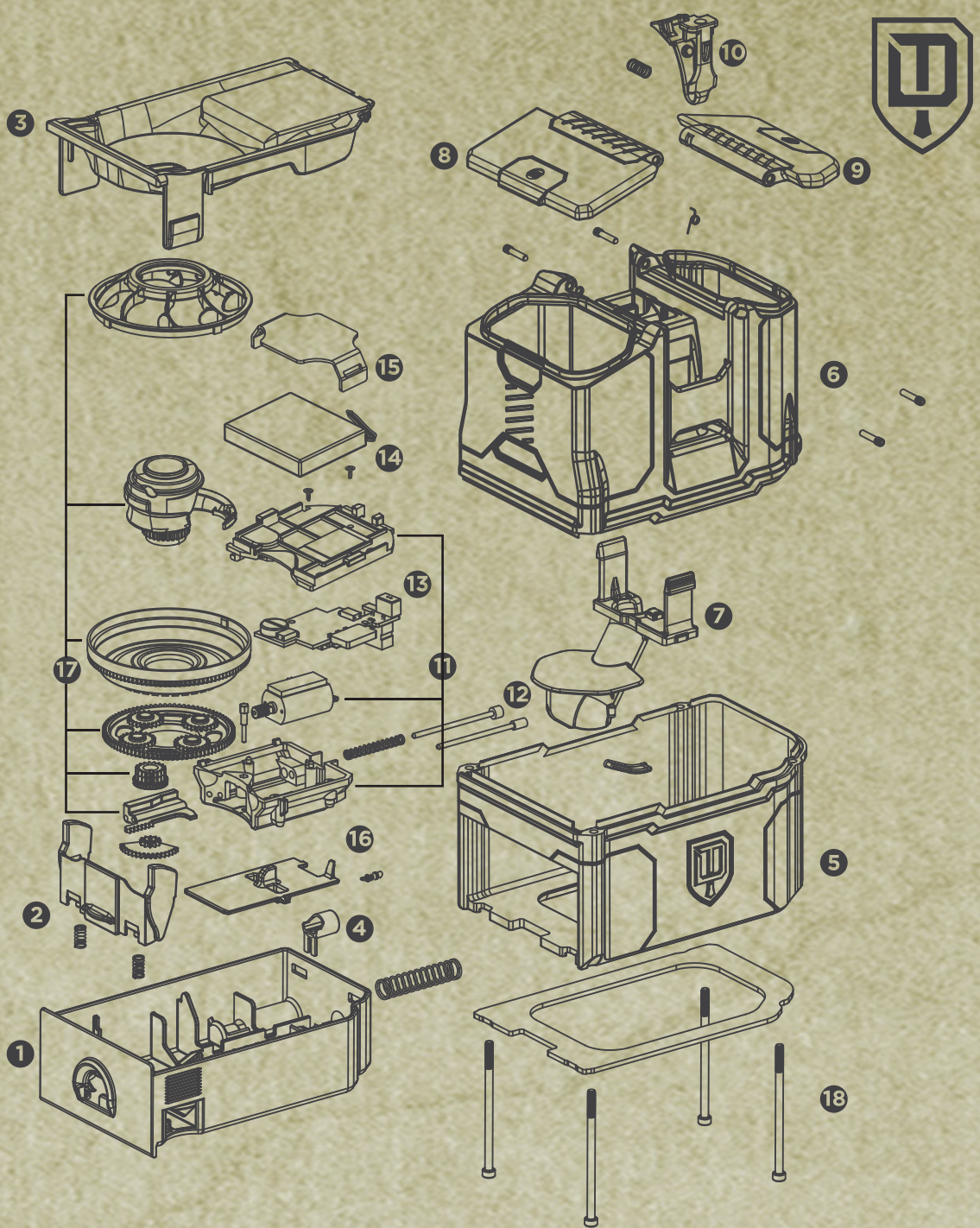
- Be careful to keep the plastic button strip in place and avoid damaging the circuit board assembly. Now place the updated circuit board in the DAM and replace the screws. DO NOT over tighten the screws.
- Reconnect the eye wires and solenoid wires in their respective locations.
- Open the Sticky Grip and insert the new Antenna Wire through the same path as the battery wire. Be careful when handling the wire.
- Connect the battery wire to the board and gently place the frame back into position. Check that no wires are pinched between the frame and the body.
- Place the Antenna Wire into the frame so it sits above the battery and next to the spring tension adjuster.
- Close the Sticky Grip carefully to ensure no wires are damaged.
- For best operation DO NOT bend the Antenna Wire and limit contact with the frame.



BOX ROTOR

Components:

- 1 Tray
- 2 Release Tab
- 3 Tray Lid
- 4 Power Button
- 5 Bottom Shell
- 6 Top Shell
- 7 Feed Tube
- 8 Left Lid
- 9 Right Lid
- 10 Retainer Clip
- 11 Gear Box
- 12 Torque Screw
- 13 Sync Button
- 14 Lithium-Ion Battery
- 15 Bat. Rubber Retainer
- 16 Jam Release Plate
- 17 Rotary Assembly
- 18 4x 8-32 3" Socket-head Cap Screws



Features:

Description

The Dye Box Rotor™ is the latest innovation in paintball loader technology fusing vertical magazine feed with tournament quality rates and reliability. Starting from the number one choice in loader technology among top level player's worldwide, the Box Rotor™ is built with all of the same simplicity and durability of the Rotor™ and adds game changing new features specially crafted for the ultimate scenario paintball gun, the Dye Assault Matrix™. The Box Rotor™ and the DAM™ combine to make the ideal platform for any field.

Vertical Feed

- Tournament quality feed rates through the magazine well.
- Under gun mounting lowers visible profile without compromising capacity or speed.
- Utilizes the standard DAM™ magazine well for quick and easy transition to and from standard magazines.

High Capacity

- The highest stock capacity of any loader system.
- Under gun mounting gives the operator ammo and profile advantage over any other platform today.

Black Ops

- Turn the indicator LED off during those night or low light games.

Adjustable Torque

- Fine tune your torque setting to feed extremely brittle paint at high feed rates.

Constant Feed

- The Constant Feed Rate feature ensures a feed rate of over 15 balls per second, far exceeding pro level requirements.

Rapid Reload

- Two transparent locking lids allow for fast, ambidextrous loading and secure closure.
- 325-ball capacity, 60% more than most competing loaders.

Tuff Molding

- Built to withstand anything an operator throws at it.
- Water resistant for full functionality even underwater.
- Nothing you'll encounter on a paintball field will penetrate our Tuff Molding and cause your loader to break.

Toolless Maintenance

- Tool-less maintenance makes assembly and disassembly a rapid, highly intuitive, and effortless process.

Ammo Retention

- The Box Rotor's™ retention clip keeps paint in the gun and the loader and off the ground. Wasting ammo during a mission is not an option.

Jam Release Trigger

- A simple squeeze of the Anti-Jam Trigger, located on the underside of the Box Rotor™, releases the jammed paint immediately.

Federal Communications Commission (FCC) Statement

15.21
You are cautioned that changes or modifications not expressly approved by the part responsible for compliance could void the user's authority to operate the equipment.

15.105(b)
This equipment has been tested and found to comply with the limits for a Class B digital device, pursuant to part 15 of the FCC rules. These limits are designed to provide reasonable protection against harmful interference in a residential installation. This equipment generates, uses and can radiate radio frequency energy and, if not installed and used in accordance with the instructions, may cause harmful interference to radio communications. However, there is no guarantee that interference will not occur in a particular installation. If this equipment does cause harmful interference to radio or television reception, which can be determined by turning the equipment off and on, the user is encouraged to try to correct the interference by one or more of the following measures:
-Reorient or relocate the receiving antenna.
-Increase the separation between the equipment and receiver.
-Connect the equipment into an outlet on a circuit different from that to which the receiver is connected.
-Consult the dealer or an experienced radio/TV technician for help.

This device complies with Part 15 of the FCC Rules. Operation is subject to the following two conditions:
1) this device may not cause harmful interference, and
2) this device must accept any interference received, including interference that may cause undesired operation of the device.

NCC Statement
根據NCC低功率電波輻射性電機管理辦法規定:
第十二條 經型式認證合格之低功率射頻電機, 非經許可, 公司、商號或使用者均不得擅自變更頻率、加大功率或變更原設計之特性及功能。
第十四條 低功率射頻電機之使用不得影響飛航安全及干擾合法通信; 經發現有干擾現象時, 應立即停用, 並改善至無干擾時方得繼續使用。前項合法通信, 指依電信法規定作業之無線電通信。低功率射頻電機須忍受合法通信或工業、科學及醫療用電波輻射性電機設備之干擾。