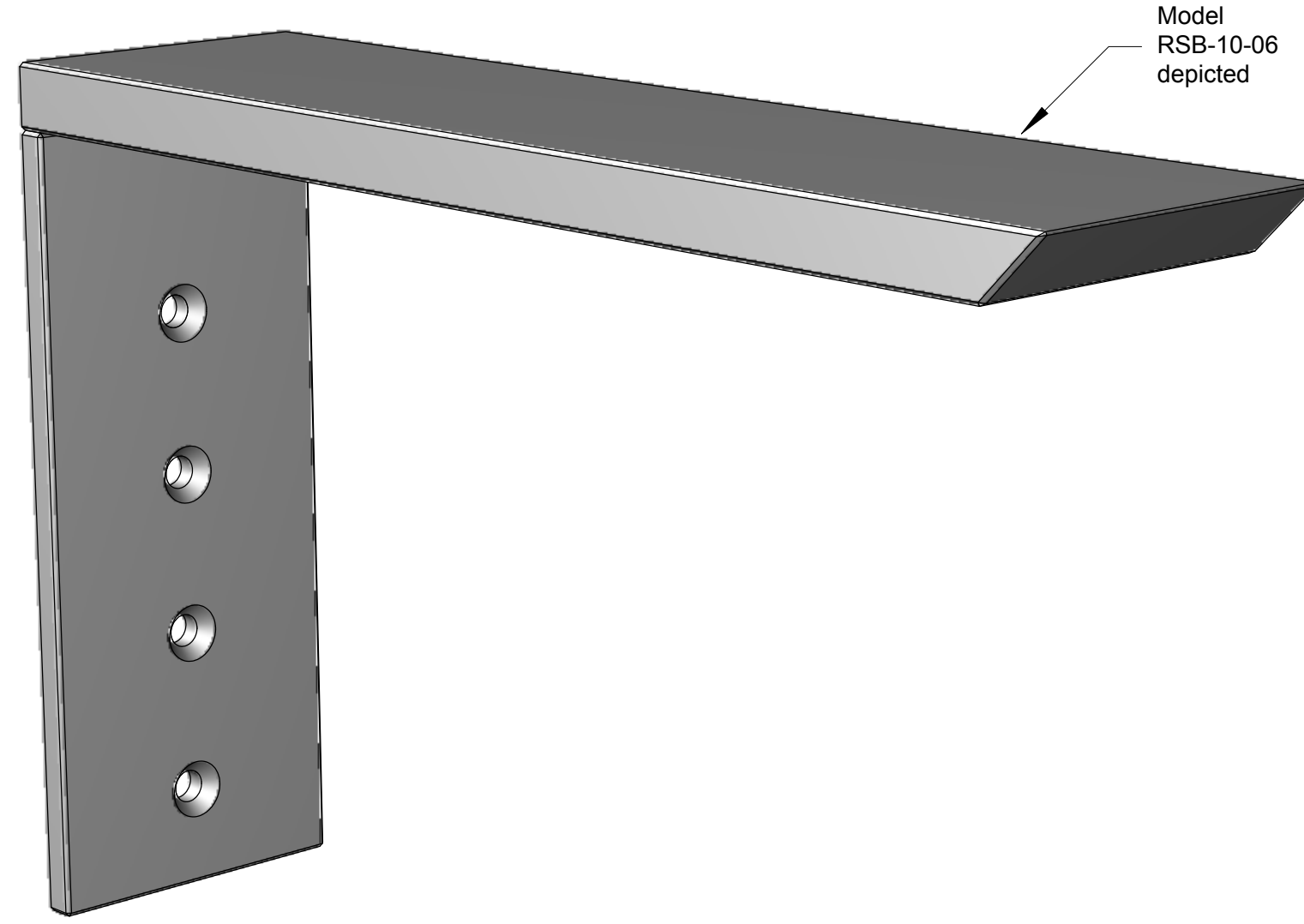
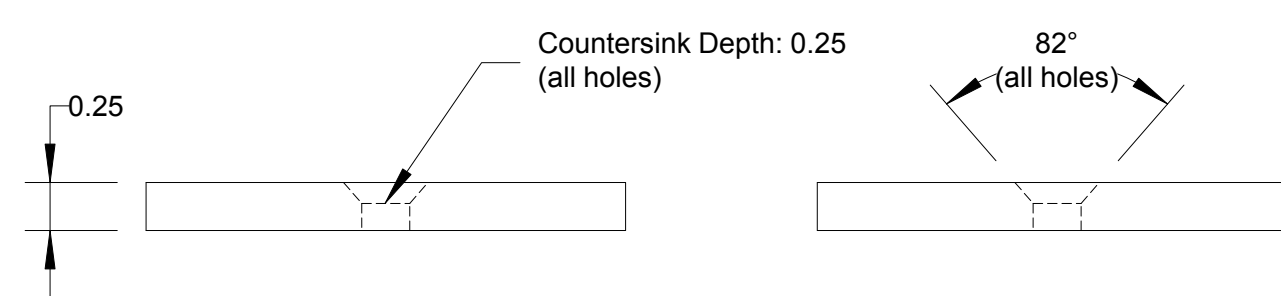
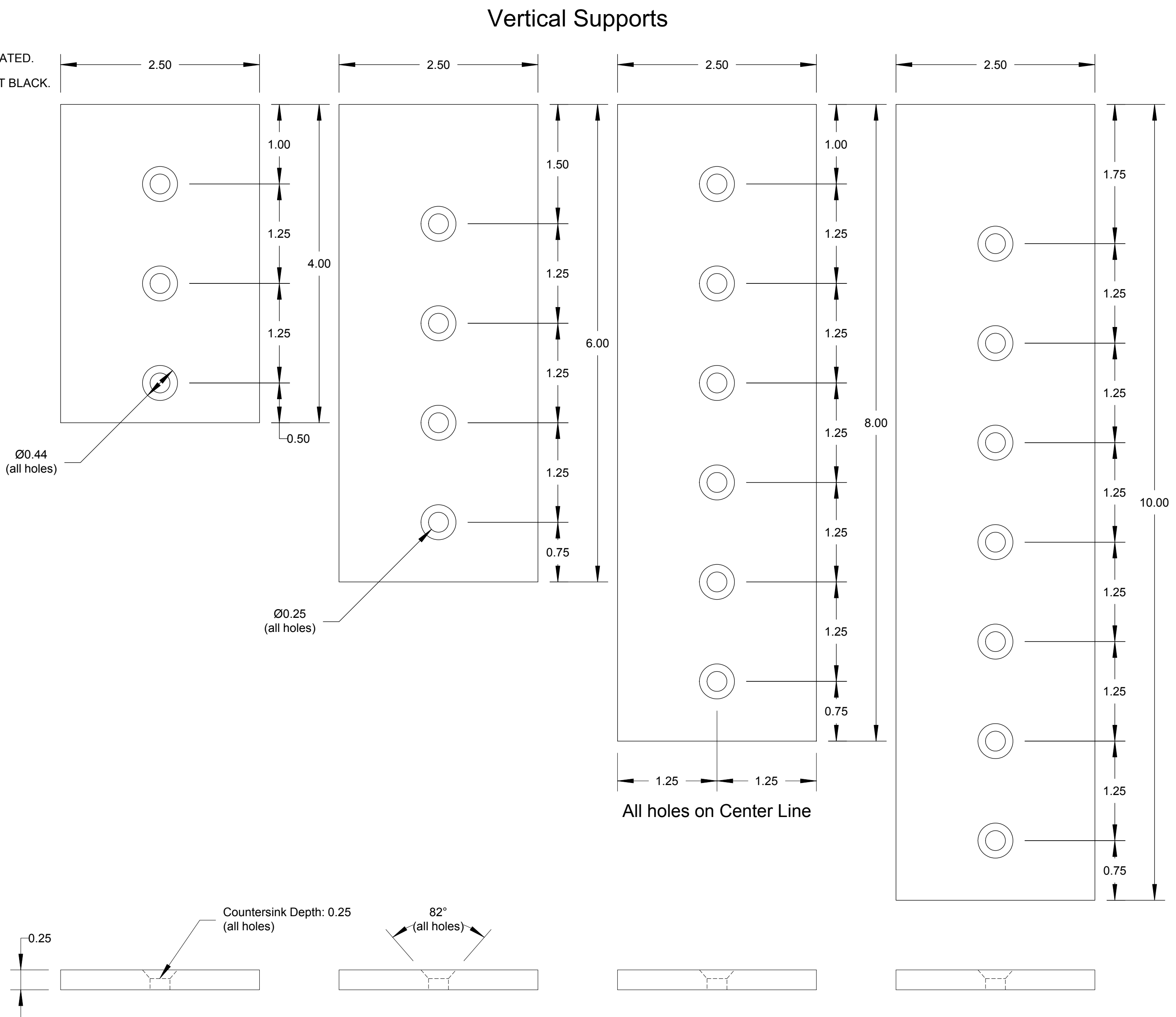
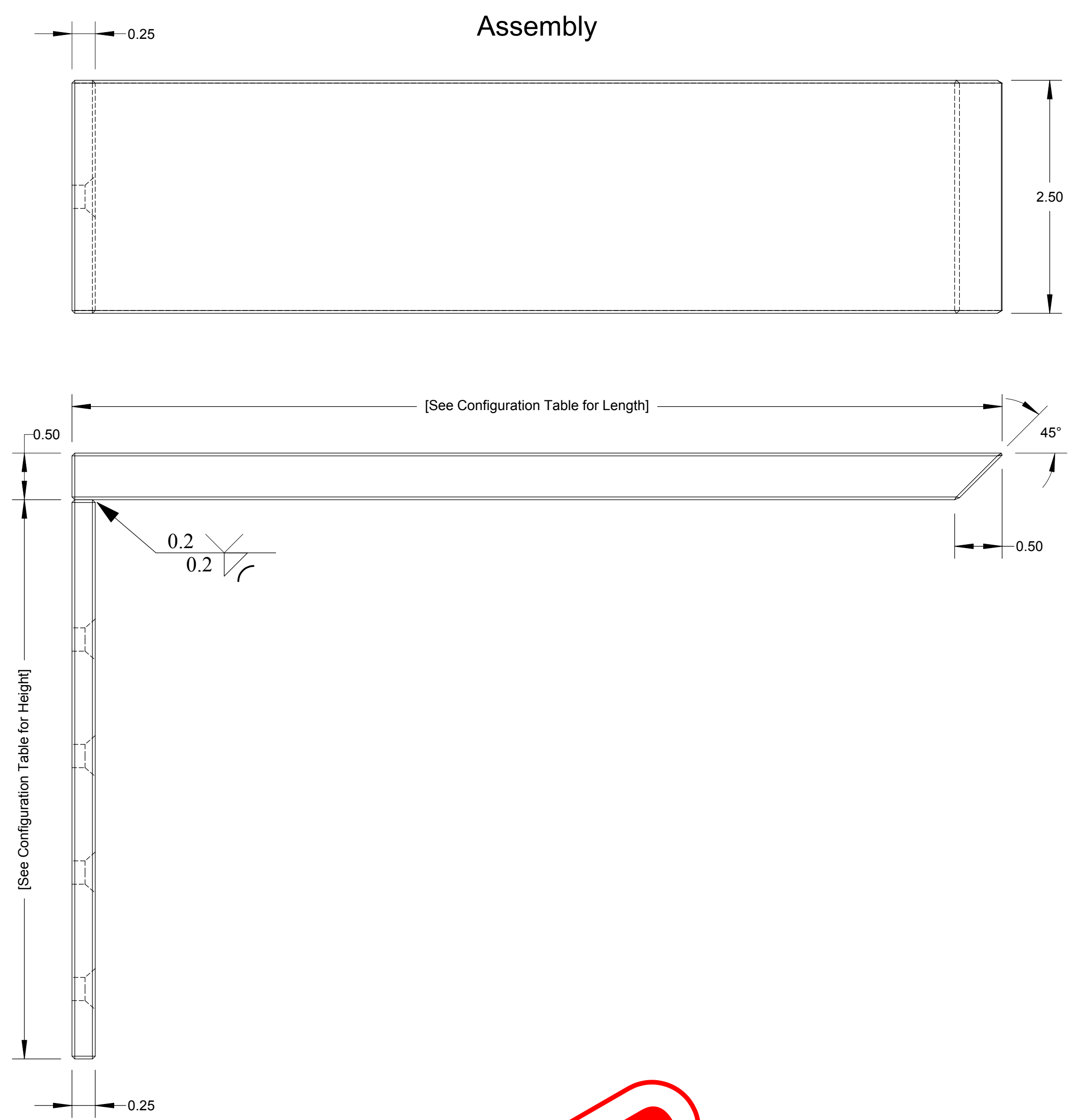


- NOTES: UNLESS OTHERWISE SPECIFIED
1. ALL DIMENSIONS ARE TO THEORETICAL SHARP.
  2. REMOVE BURRS AND BREAK ALL SHARP EDGES .03 MAX.
  3. ALL DIMENSIONS ARE IN INCHES UNLESS OTHERWISE STATED.
  4. PARTS SHALL BE FREE OF GREASE AND CUTTING FLUID.
  5. FINISH IS RUSTOLEUM ANTI-RUST PAINT, P/N 249127, FLAT BLACK.

Configuration Table		
Model	Length	Height
RSB-05-04	5.00	4.00
RSB-06-04	6.00	4.00
RSB-07-04	7.00	4.00
RSB-07-06	7.00	6.00
RSB-08-04	8.00	4.00
RSB-08-06	8.00	6.00
RSB-09-06	9.00	6.00
RSB-10-06	10.00	6.00
RSB-11-06	11.00	6.00
RSB-12-06	12.00	6.00
RSB-12-08	12.00	8.00
RSB-13-06	13.00	6.00
RSB-13-08	13.00	8.00
RSB-13-10	13.00	10.00
RSB-14-06	14.00	6.00
RSB-14-08	14.00	8.00
RSB-14-10	14.00	10.00
RSB-15-06	15.00	6.00
RSB-15-08	15.00	8.00
RSB-15-10	15.00	10.00
RSB-16-06	16.00	6.00
RSB-16-08	16.00	8.00
RSB-16-10	16.00	10.00



REVISION STATUS - EACH SHEET IS MARKED WITH ITS REVISION				
ZONE	REV.	DESCRIPTION	DATE	APPROVED
	A	INITIAL RELEASE	10/23/13	



APPROVED

UNLESS OTHERWISE SPECIFIED DIMENSIONS ARE IN INCHES TOLERANCES ARE: ANGLES .XX = .01 XX° = 1° .XXX = .005	ENGINEER		
	ENGINEER		
INTERPRET DRAWINGS IN ACCORDANCE WITH: ASME Y14.100 ENGINEERING DRAWING PRACTICES ASME Y14.38 ABBREVIATIONS ASME Y14.5 DIMENSIONING AND TOLERANCING ASME Y14.6 SCREW THREAD REPRESENTATION AWS A2.4 WELDING SYMBOLS IEEE STD 315 SYMBOLS FOR ELECTRICAL AND ELECTRONIC DIAGRAMMS	CHECKED		TITLE
	DRAWN	JRL	10/23/13
THE INFORMATION ON THIS DRAWING IS PROPRIETARY AND SHALL NOT BE DISCLOSED, USED OR DUPLICATED FOR PROCUREMENT OR MANUFACTURING PURPOSES WITHOUT THE EXPRESS WRITTEN CONSENT OF THE ORIGINAL GRANITE BRACKET.		MANAGER APPROVAL	SCALE DWG NO <b>RSB-xx-xx</b> REV <b>A</b>
		SIZE	SHEET 1 of 1