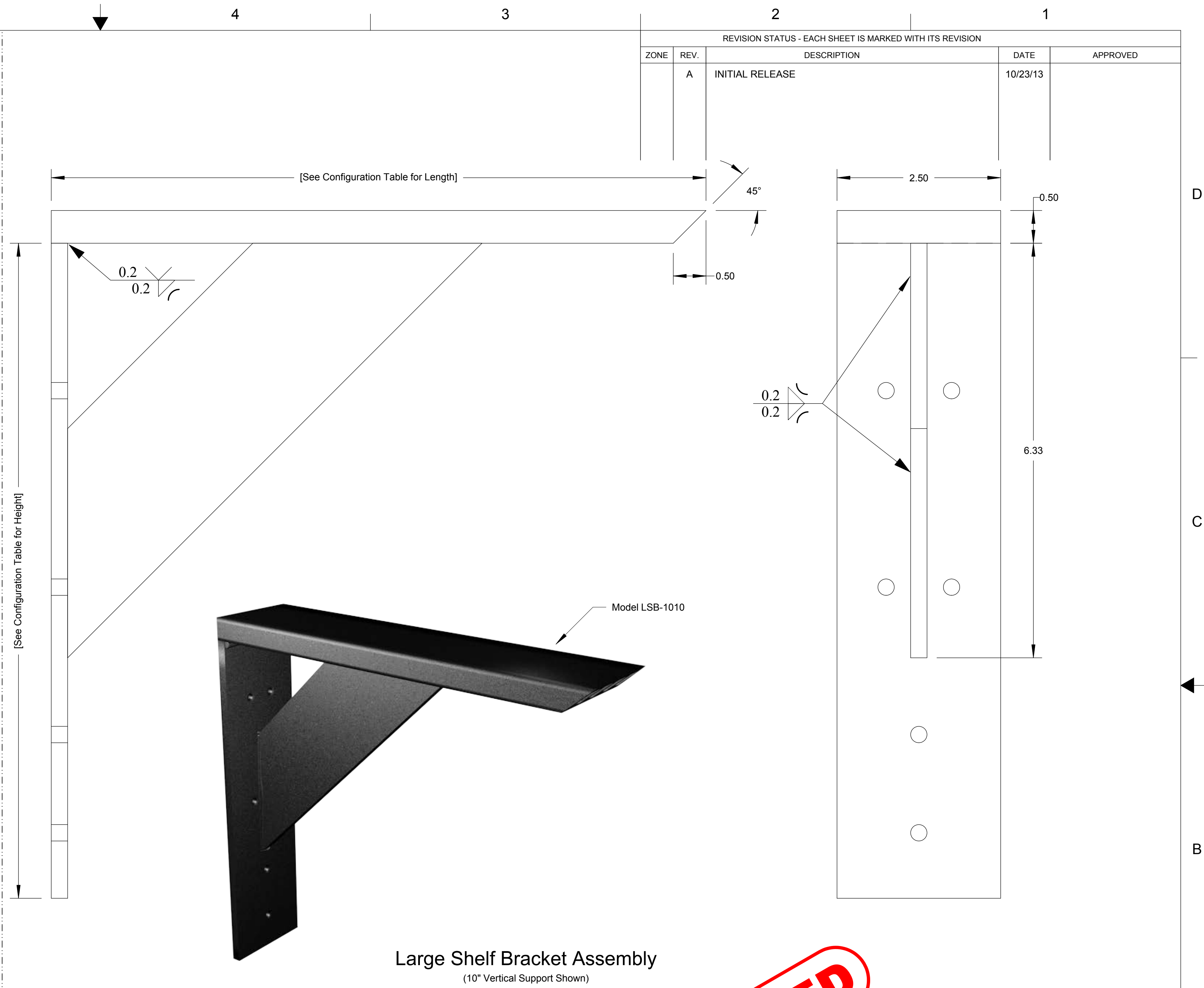
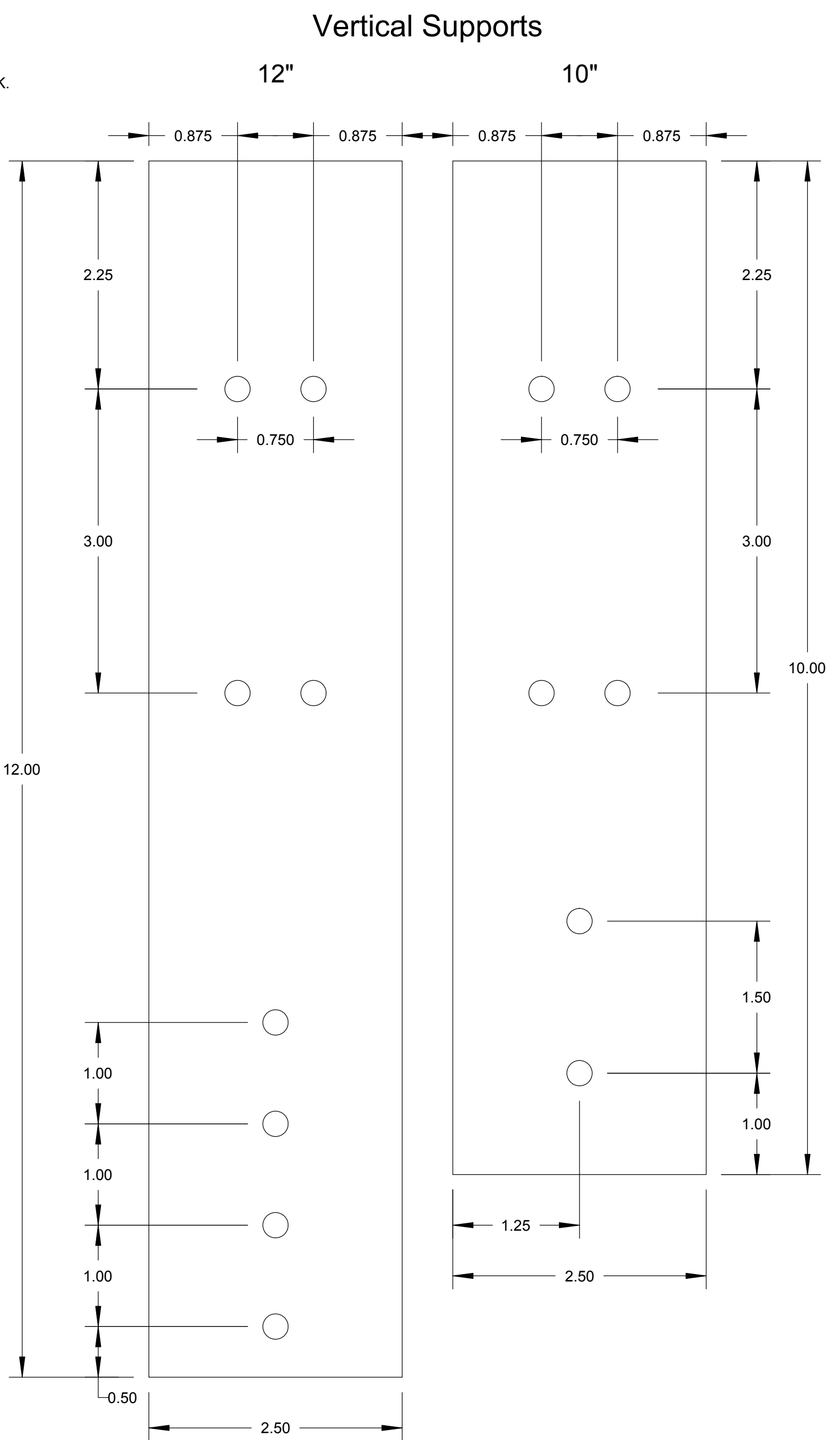


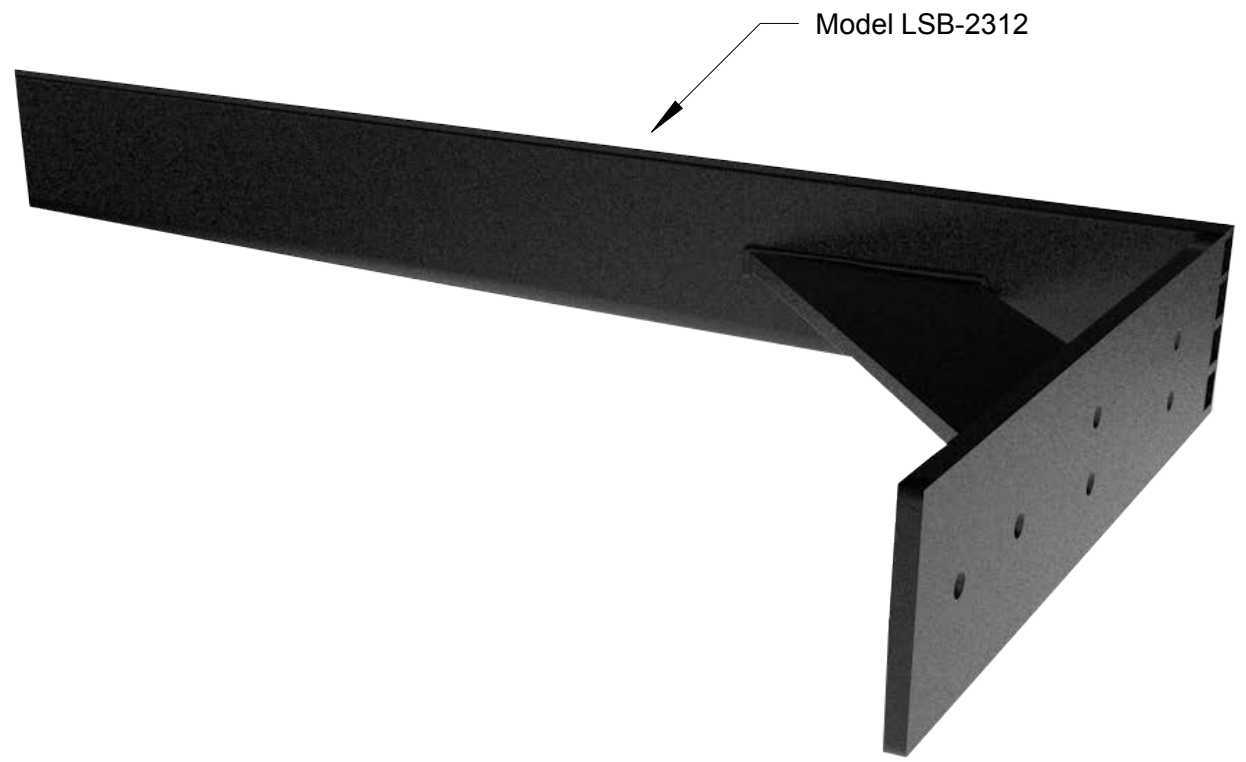
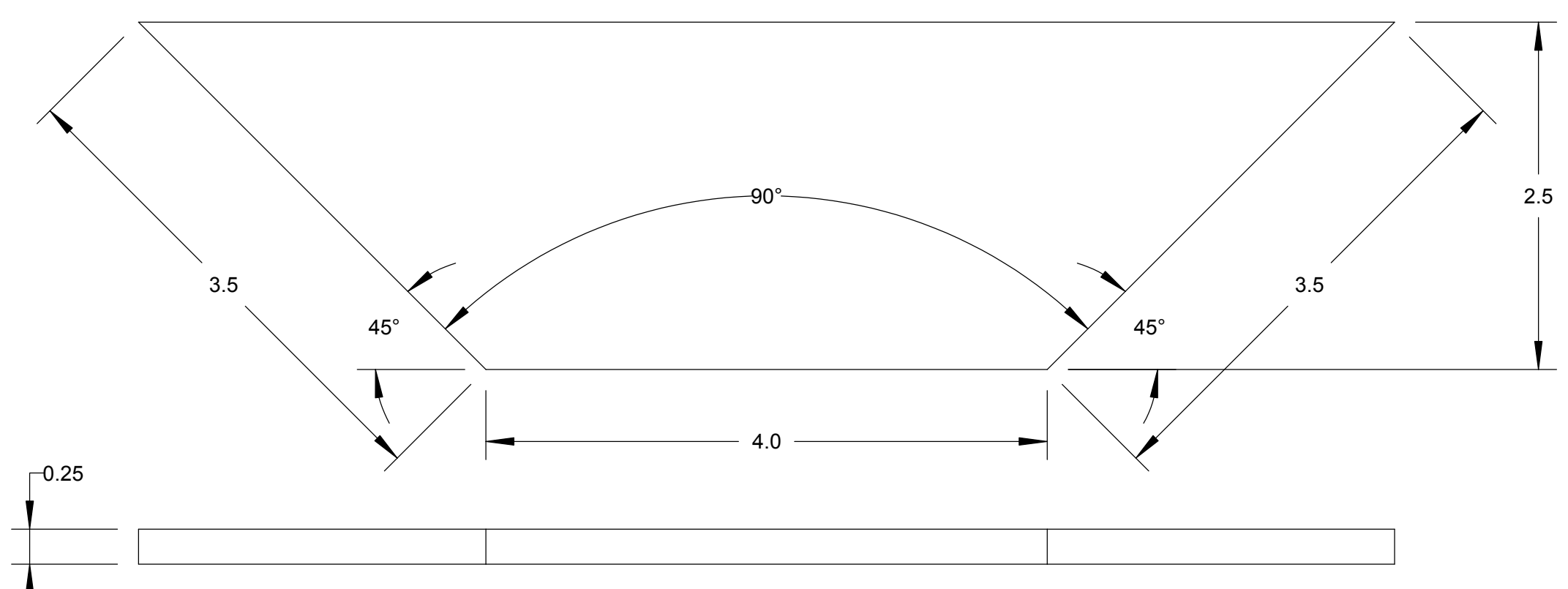
- NOTES: UNLESS OTHERWISE SPECIFIED
1. ALL DIMENSIONS ARE TO THEORETICAL SHARP.
 2. REMOVE BURRS AND BREAK ALL SHARP EDGES .03 MAX.
 3. ALL DIMENSIONS ARE IN INCHES UNLESS OTHERWISE STATED.
 4. PARTS SHALL BE FREE OF GREASE AND CUTTING FLUID.
 5. FINISH IS RUSTOLEUM ANTI-RUST PAINT, P/N 249127, FLAT BLACK.

Configuration Table		
Model	Length	Height
LS-1010	10.00	10.00
LS-1210	12.00	10.00
LS-1410	14.00	10.00
LS-1610	16.00	10.00
LS-1810	18.00	10.00
LS-2010	20.00	10.00
LS-2210	22.00	10.00
LS-2412	24.00	12.00
LS-2612	26.00	12.00



REVISION STATUS - EACH SHEET IS MARKED WITH ITS REVISION				
ZONE	REV.	DESCRIPTION	DATE	APPROVED
	A	INITIAL RELEASE	10/23/13	

Large Shelf Gusset



APPROVED

UNLESS OTHERWISE SPECIFIED DIMENSIONS ARE IN INCHES		ENGINEER			
TOLERANCES ARE:		ENGINEER			
ANGLES		ENGINEER			
.X = .1 .XX = .01 XXX = .005		CHECKED			
INTERPRET DRAWINGS IN ACCORDANCE WITH: ASME Y14.100 ENGINEERING DRAWING PRACTICES ASME Y14.38 ABBREVIATIONS ASME Y14.5 DIMENSIONING AND TOLERANCING ASME Y14.6 SCREW THREAD REPRESENTATION AWS A2.4 WELDING SYMBOLS IEEE STD 315 SYMBOLS FOR ELECTRICAL AND ELECTRONIC DIAGRAMMS		DRAWN	JRL	10/23/13	TITLE
THE INFORMATION ON THIS DRAWING IS PROPRIETARY AND SHALL NOT BE DISCLOSED, USED OR DUPLICATED FOR PROCUREMENT OR MANUFACTURING PURPOSES WITHOUT THE EXPRESS WRITTEN CONSENT OF THE ORIGINAL GRANITE BRACKET.		MANAGER APPROVAL			Shelf Bracket, Large
SIZE	CAGE CODE	DWG NO	REV		
D		LSB-xxxx	A		
SCALE				SHEET	1 of 1