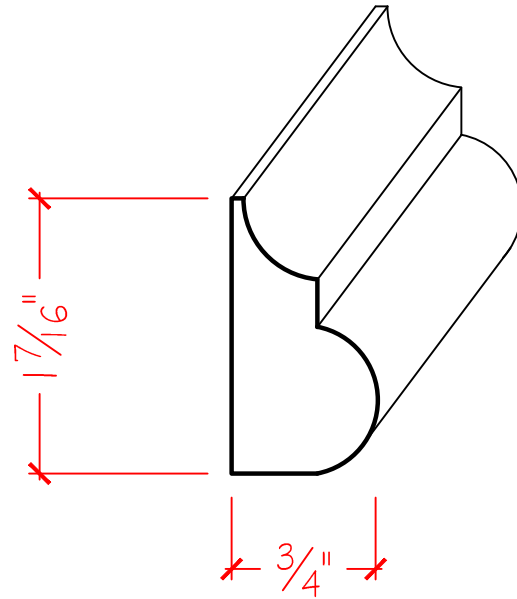


# NOSE & COVE MOULDING



$\frac{3}{4}$ " x  $1\frac{7}{16}$ " x 96"

## EWPM26

# NEWmouldings.com

Copyright © 2012 Erichs Fine Woodworking Inc, All rights reserved