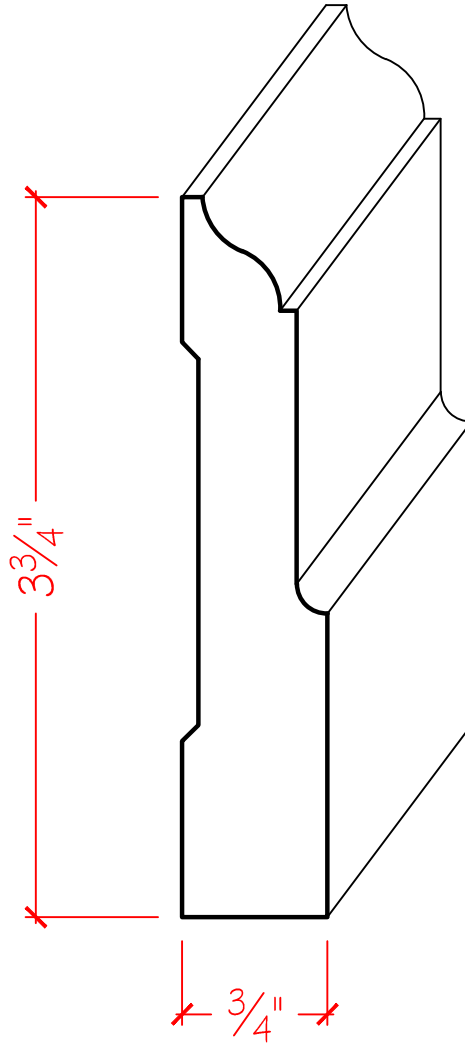


# BASE BOARD



**EWBB31**

$\frac{3}{4}$ " x  $3\frac{3}{4}$ " x 96"

**NEWmouldings.com**

Copyright © 2012 Erichs Fine Woodworking Inc, All rights reserved