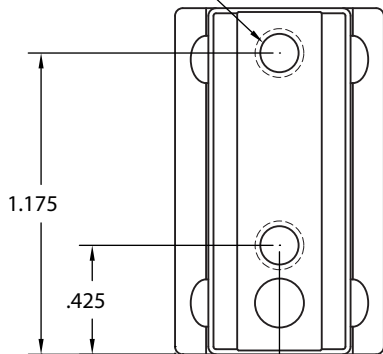


Male Dovetail Base (A3251-B)

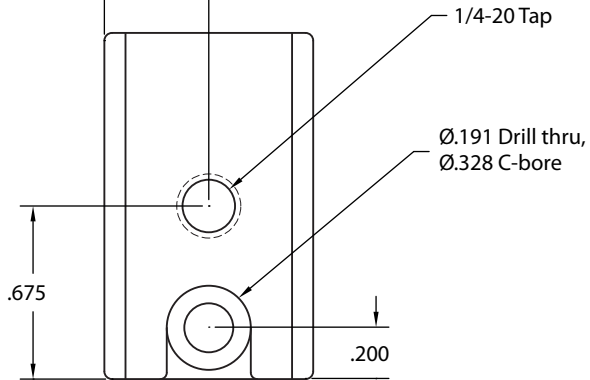
10-32 Tap (2)



Top

.408

.408



1/4-20 Tap

Ø.191 Drill thru,
Ø.328 C-bore

Bottom

.200