



Scan for full manual

WP-789R Quick Start Guide

This guide helps you install and use your **WP-789R** for the first time.

Go to www.kramerav.com/downloads/WP-789R to download the latest user manual and check if firmware upgrades are available.

Step 1: Check what's in the box

- ✓ **WP-789R** HDMI 4K Wall-Plate Line Receiver
- ✓ 1 Quick start guide
- ✓ Installation accessories
- ✓ 1 Power adapter and cord
- ✓ Frame (or frame kit)

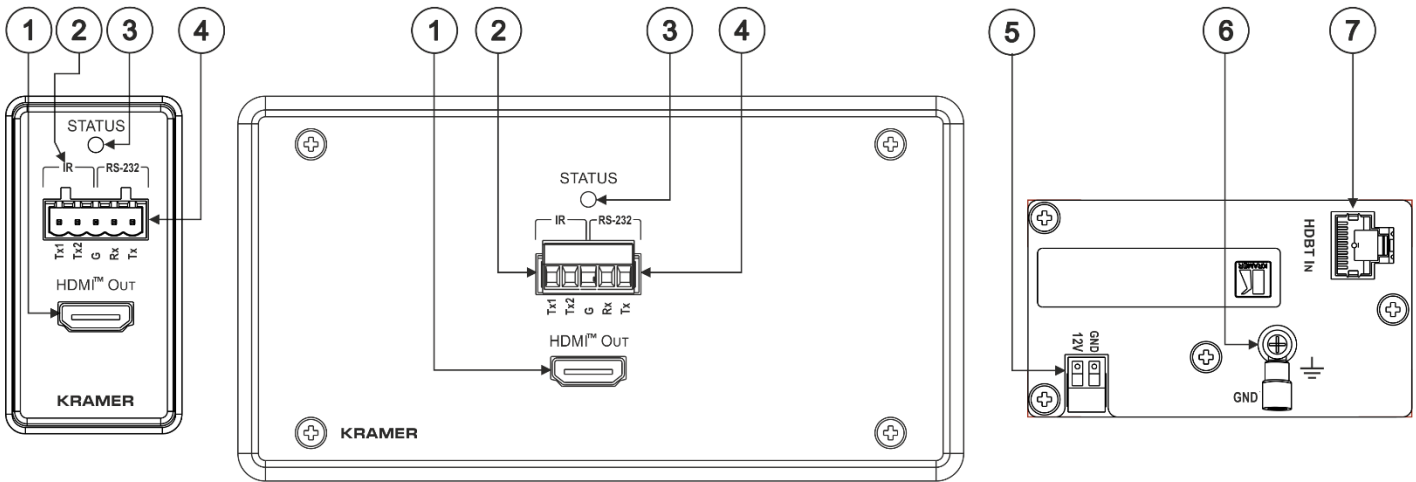
Step 2: Get to know your WP-789R

WP-789R

US-D Version
Front

EU/UK Version
Front

US-D/EU/UK Version
Rear



#	Feature	Function																				
1	HDMI™ OUT Connector	Connect to an HDMI acceptor.																				
2	IR (Tx1, Tx2) Output, 3-pin Terminal Block Connectors	Connect to an external IR emitter cable: Tx1, G: use for fixed 38kHz non-modulated IR signals. Tx2, G: use for 20-100kHz wide-range modulated IR signals.																				
3	STATUS LED	<table border="1"> <thead> <tr> <th>LED Color</th> <th>HDBT Connected</th> <th>Source Detected</th> <th>Acceptor Detected</th> </tr> </thead> <tbody> <tr> <td>Blue</td> <td>Yes</td> <td>Yes</td> <td>Yes</td> </tr> <tr> <td>Green</td> <td>Yes</td> <td>Yes</td> <td>No</td> </tr> <tr> <td>Yellow</td> <td>Yes</td> <td>No</td> <td>N/A</td> </tr> <tr> <td>White</td> <td colspan="3">Device is powered with no detected connections.</td> </tr> </tbody> </table>	LED Color	HDBT Connected	Source Detected	Acceptor Detected	Blue	Yes	Yes	Yes	Green	Yes	Yes	No	Yellow	Yes	No	N/A	White	Device is powered with no detected connections.		
		LED Color	HDBT Connected	Source Detected	Acceptor Detected																	
		Blue	Yes	Yes	Yes																	
		Green	Yes	Yes	No																	
		Yellow	Yes	No	N/A																	
White	Device is powered with no detected connections.																					
STATUS LED is off only when the device does not receive power.																						
4	RS-232 (G, Rx, Tx) 3-pin Terminal Block Connector	Connect to an RS-232 port.																				
5	Power Supply 2-pin Terminal Block Connector	Connect to a power supply (if required). Connect GND to GND, +12V to +12V.																				
6	Ring Tongue Terminal Grounding Screw	Connect to grounding wire (optional).																				
7	HDBT IN RJ-45 Connector	Connect to the HDBT OUT connector on a transmitter (for example, TP-780T).																				

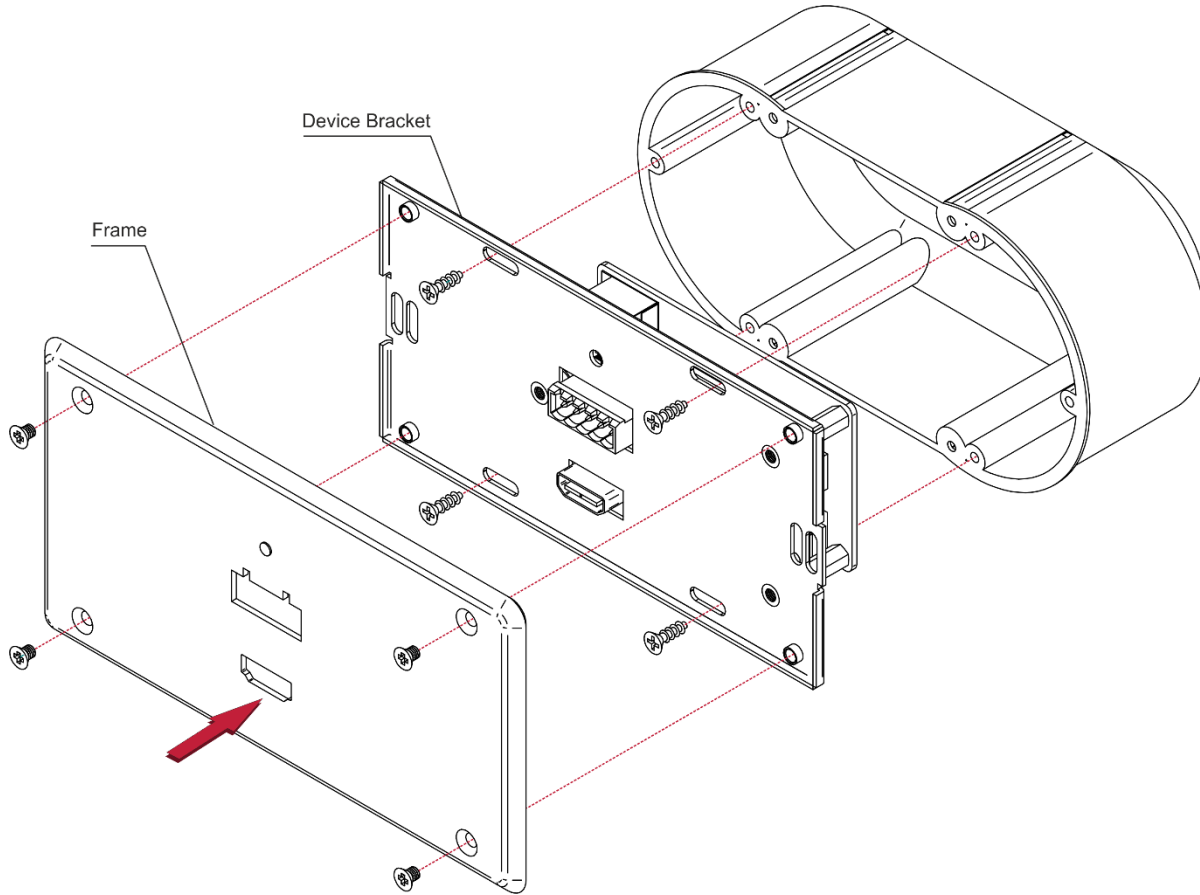
The terms HDMI, HDMI High-Definition Multimedia Interface, and the HDMI Logo are trademarks or registered trademarks of HDMI Licensing Administrator, Inc.



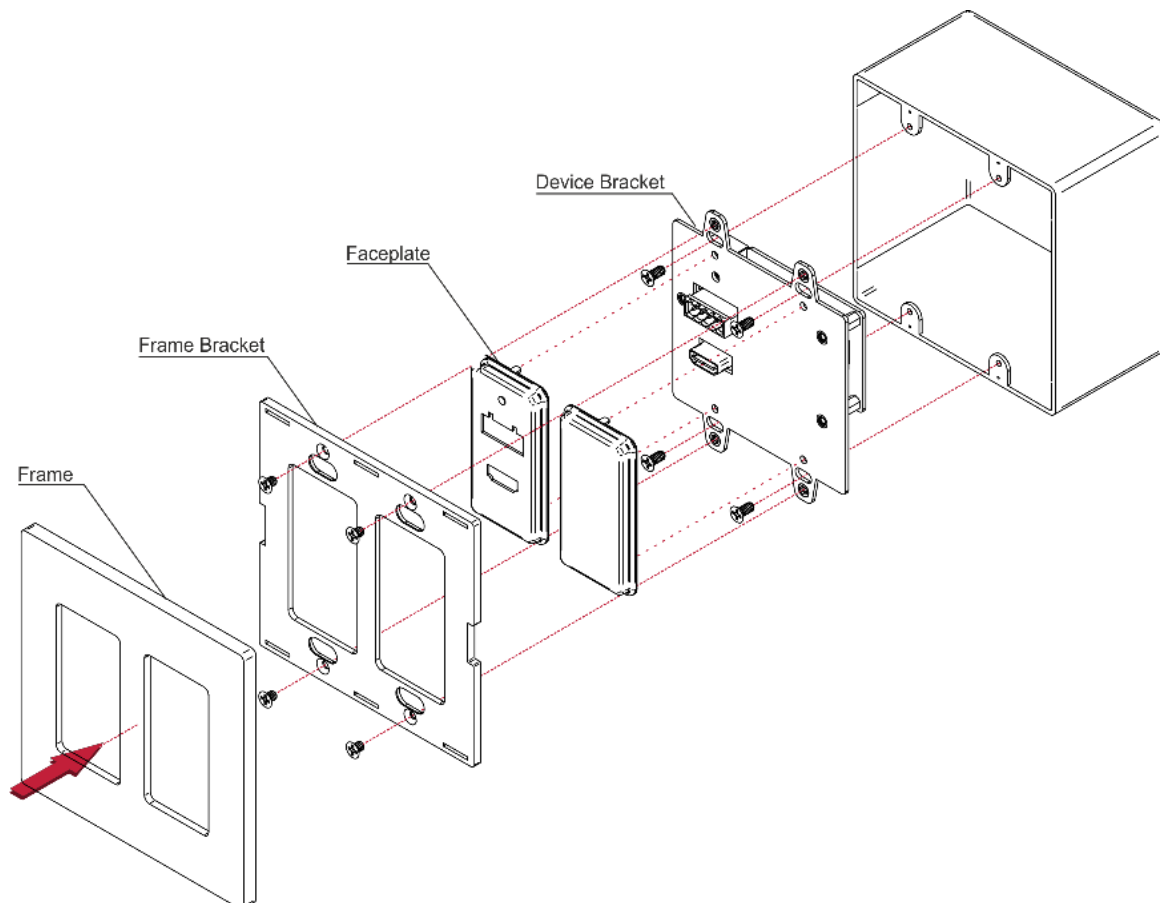
Step 3: Install the WP-789R

Insert the device into the in-wall box (note that first you need to connect the HDBT cable and power) and connect the parts as shown in the illustrations below:

EU/UK Version



US-D Version





DECORA® design frames are included in US-D models.

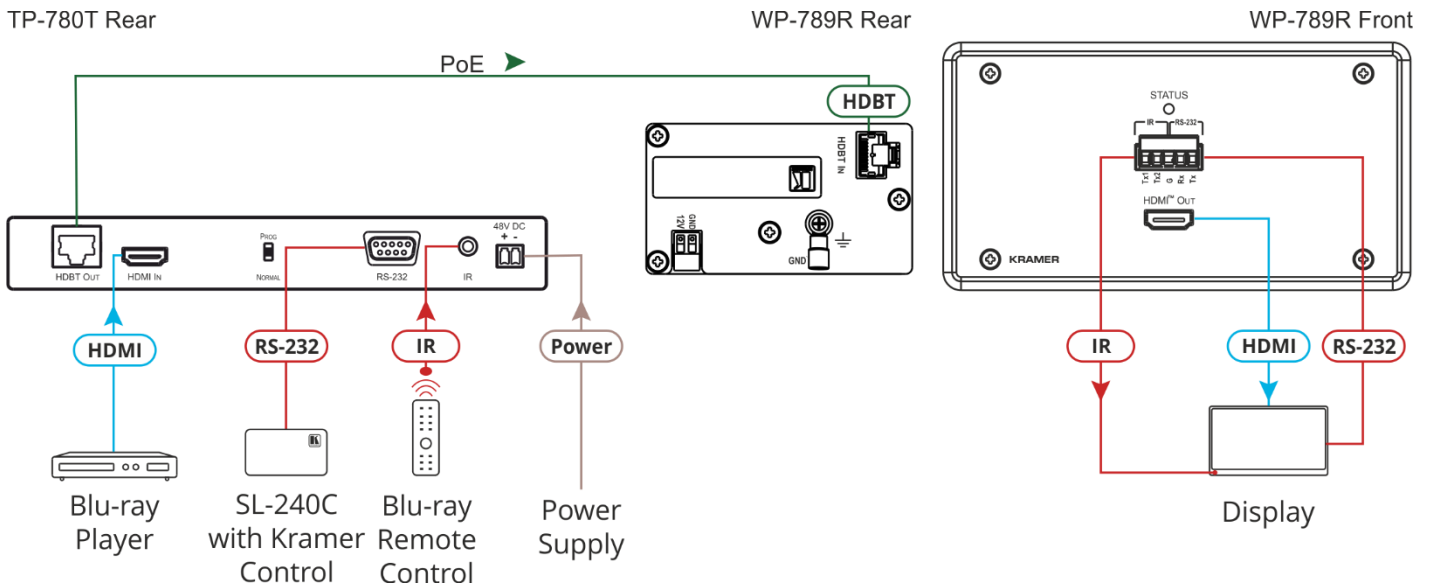
DECORA® is a registered trademark of Leviton Manufacturing Co., Inc.

We recommend that you use any of the following standard 2 gang in-wall junction boxes (or their equivalent):

- **US-D:** 2 gang US electrical junction boxes.
- **EU:** 2 gang in-wall junction box, with a cut-hole diameter of 2x68mm and depth that can fit in both the device and the connected cables (DIN 49073).
- **UK:** 2 gang in-wall junction box (BS 4662), 135x75mm (W, H) and depth that can fit in both the device and the connected cables.
- **EU/UK:** 2 gang on-wall junction box (use the recommended Kramer on-wall box available at www.kramerav.com/product/WP-789R).

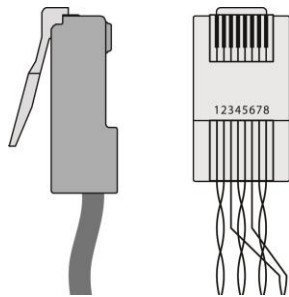
Step 4: Connect the inputs and outputs

Always switch OFF the power on each device before connecting it to your **WP-789R**. For best results, we recommend that you always use Kramer high-performance cables to connect AV equipment to the **WP-789R**.



Wiring the RJ 45 Connectors

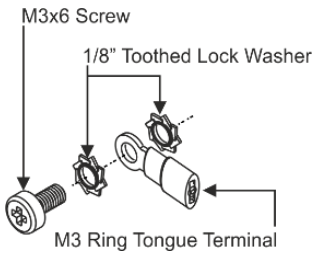
It is recommended that the cable ground shielding be connected/soldered to the connector shield.



PIN EIA /TIA 568b	
PIN	Wire Color
1	Orange / White
2	Orange
3	Green / White
4	Blue
5	Blue / White
6	Green
7	Brown / White
8	Brown

For optimum range and performance use the recommended Kramer cables available at www.kramerav.com/product/WP-789R.

Grounding the WP-789R (Optional)



1. Connect the ring tongue terminal to the building grounding point wire (a green-yellow, AWG#18 (0.82mm²) wire, crimped with a proper hand-tool is recommended).
2. Insert the M3x6 screw through the toothed lock washers and the tongue terminal in the order shown above.
3. Insert the M3x6 screw (with the two toothed lock washers and ring tongue terminal) into the grounding screw hole and tighten the screw.

Step 5: Connect the power

When accepting power over HDBaseT from a PoE provider (for example, the **TP-780T**), there is no need to connect the 12V DC power supply.

Otherwise, connect the 12V power adapter to the device and plug the power supply into the mains electricity.

Safety Instructions



Caution: There are no operator serviceable parts inside the unit.

Warning: Use only the Kramer Electronics power supply that is provided with the unit.

Warning: Disconnect the power and unplug the unit from the wall before installing.

See www.KramerAV.com for updated safety information.