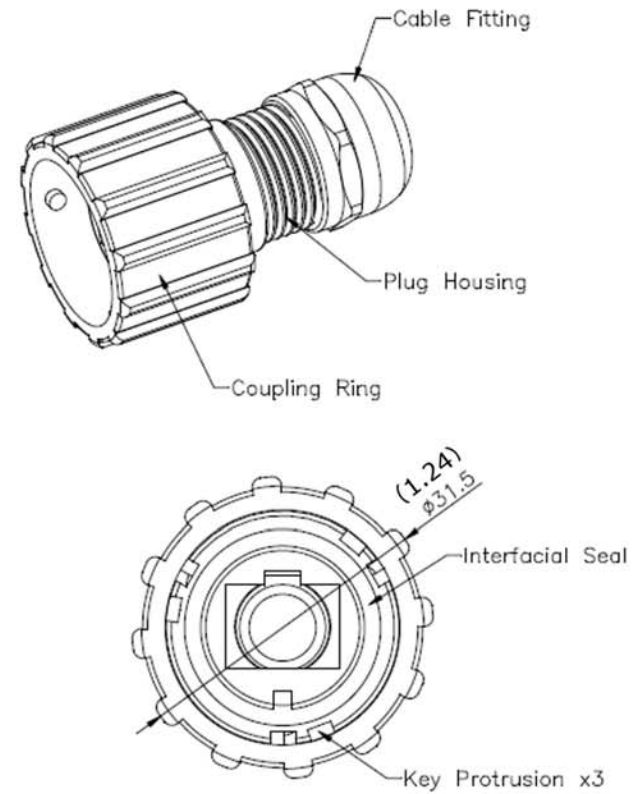
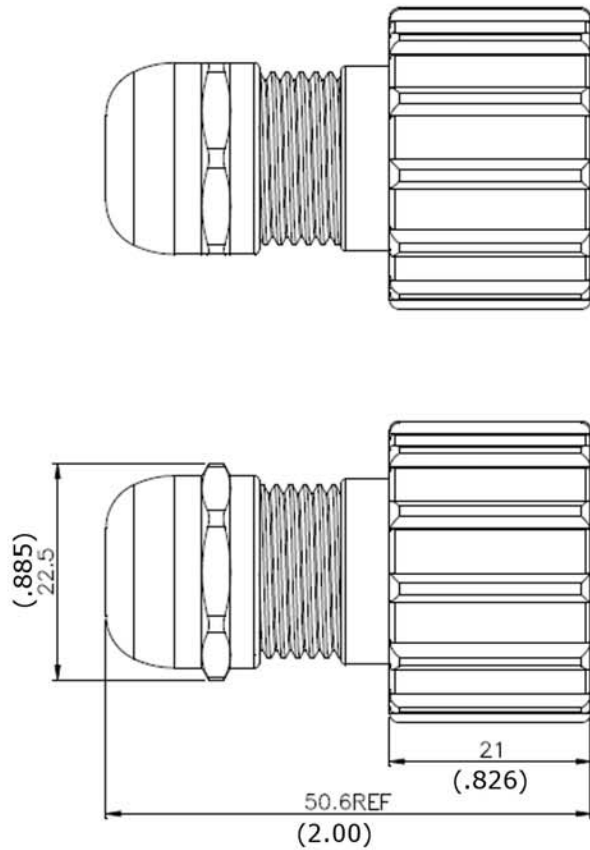


RoHS COMPLIANT

# VPI P/N: RJ45-5EWTP-QR-CB-SHLDM



|               |                           |
|---------------|---------------------------|
| Coupling Ring | Zn Alloy 3,Nickel Plated  |
| Plug Housing  | Zn Alloy 3,Nickel Plated  |
| Cable Fitting | Coper Alloy,Nickel Plated |
| Seal          | Silicone                  |

UNIT: mm (Inch)

**VPI** VIDEO  
PRODUCTS  
INCORPORATED

1275 Danner Drive Aurora, Ohio 44202  
Tel: 330-562-2622 Fax: 330-562-1999  
www.vpi.us