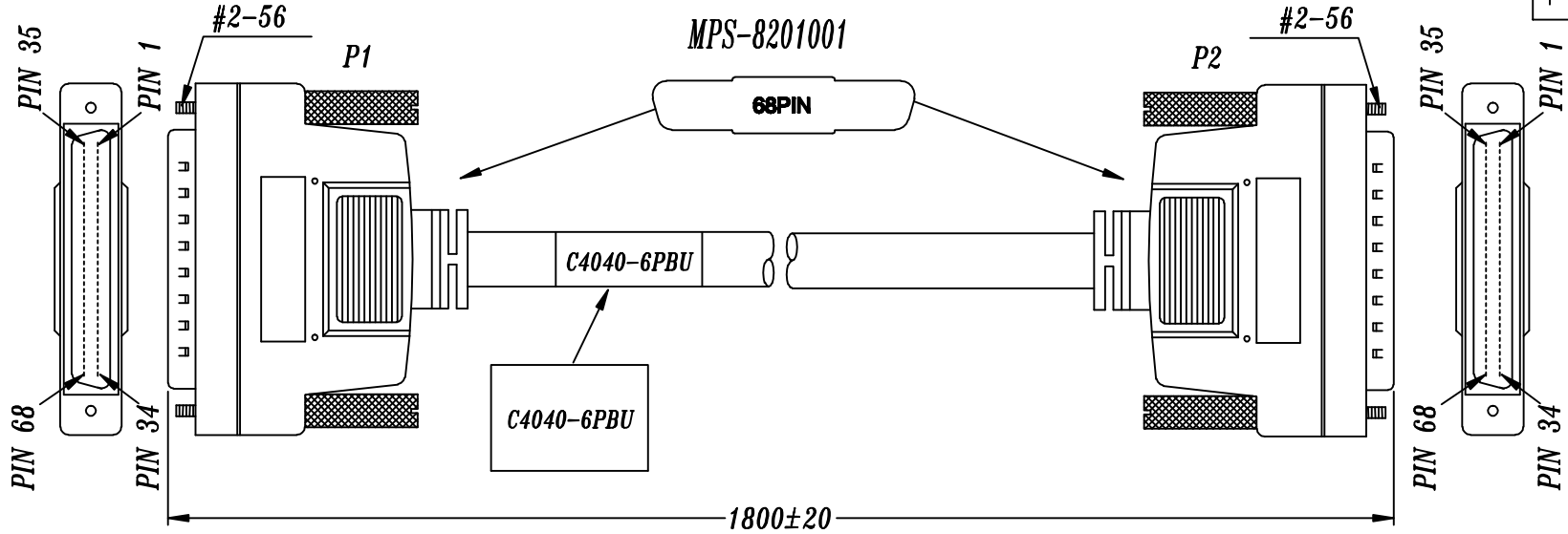
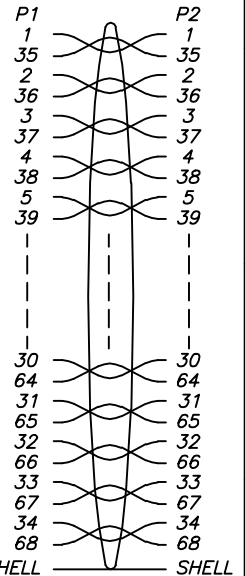


1	2	3	4	5	6	7	8	9
REV.	REMARK	DATE	SIGN.					
◇	改為RoHS材料	06/22/06	KU.					

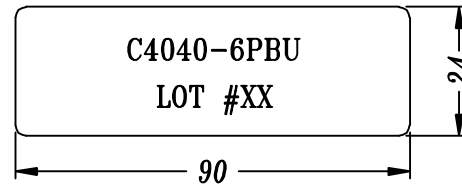
RoHS



WIRE LIST



LABELLING ON BAG:



MATERIAL RoHS COMPLIANT:

NOTE:

- CABLE SPEC.: UL-20276, 30AWG, ALUMINIUM FOIL+BRAIDED(Madison 68KBKLF045), BLACK SHIELDED: ALUMINIUM FOIL & TINNED COPPER BRAIDING
CONDUCTOR INSULATION MATERIAL: FOAMED POLYETHYLENE+SKIN
- CONNECTORS: P1&P2 SCSI-3 HPDB 68PIN MALE IDC MOLDED TYPE W/THUMB SCREW #2-56

DataStorageCables.com

DESC.	SCSI 68P (M) TO SCSI 68P (M) W/THUMB SCREW	APPROVED	CHECKED	DESIGNED	TOLERANCE	SCALE	1 = 1	UNIT	mm	⌀
P/N	C4040-6PBU	CUSTOMER P/N	C4040-6PBU	Ku.	X.X : ±0.1 X.XX : ±0.05 X.XXX : ±0.02	DATE	04/27/05	DWG NO:	DWC\RC\1566	

1 2 3 4 5 6 7 8 9